

PRICE LIST

Effective Date October 1, 2016



Portable CH₄ Fixed

LEL O₂

H₂ CO₂

PH₃ H₂S

SO₂ CO

A collection of various gas detection instruments from RKI, arranged on a blue background. The instruments are shown in different orientations and colors (red, black, yellow, white). Labels for different gas types and instrument categories are scattered around the instruments. The labels include: 'Portable', 'CH₄', 'Fixed', 'LEL', 'O₂', 'CO₂', 'H₂', 'PH₃', 'H₂S', 'SO₂', and 'CO'. One prominent instrument is a large red and white fixed station unit labeled 'BEACON 800'.

Gas Detection For Life

Detectable Gases

Measurable Gases	Symbol	TLV/TWA	Range	Diffusion Detector	Sample Draw	Portable
Acetic Acid	CH ₃ COOH	1.5 PPM	30 PPM	–	GD-70D	–
Ammonia	NH ₃	25 PPM	75 PPM/400 PPM	GD-K88Ai-NH ₃ / DC / S ₂ / M2A	GD-70D	GX-6000 / EAGLE / EAGLE 2 / SC-01 / SP-220
Ammonia	NH ₃	25 PPM	1 PPM / 4 PPM	–	FP-311 / FP-310	–
Arsine	AsH ₃	0.05 PPM	0.2 / 1.5 PPM	DC / S ₂ / M2A / GD-K88Ai-ASH ₃	GD-70D	EAGLE / EAGLE 2 / SC-01 / SP-220
Benzene	C ₆ H ₆	0.5 PPM	various PPM	GD-A80V	GD-70D	EAGLE / EAGLE 2 / GX-6000
Boron Trichloride	BCl ₃	HCl C 5 PPM	15 PPM	GD-K88Ai-BCl ₃	GD-70D	EAGLE
Boron Trifluoride	BF ₃	HF C 3 PPM	9 PPM	–	GD-70D	EAGLE
Bromine	Br ₂	0.1 PPM	1 PPM	GD-K88Ai-BR ₂	GD-70D	EAGLE
Carbon Dioxide	CO ₂	5,000 PPM	2,000 PPM	RI-215A	RI-215D	–
Carbon Dioxide	CO ₂	5,000 PPM	5,000 PPM	RI-215A / DC / S ₂ / M2A	RI-215D, 35-3001	EAGLE / EAGLE 2
Carbon Dioxide	CO ₂	5,000 PPM	10,000 PPM	RI-215A	RI-215D	EAGLE / EAGLE 2 / GX-6000
Carbon Dioxide	CO ₂	5,000 PPM	5%,20,50,60,100%	DC / S ₂ / M2A	35-3001	EAGLE / EAGLE 2 / GX-6000
Carbon Monoxide	CO	25 PPM	30 / 75 / 150 PPM	GD-K88Ai-CO	GD-70D	SC-01 / SP-220
Carbon Monoxide	CO	25 PPM	300 / 500 PPM	EC-600 / DC / S ₂ / M2A / M Series	35-3001-CO	CO-03 / EAGLE / EAGLE 2 / GX-6000 / GX-2012 / Gas Tracer / GX-2009
Chlorine	Cl ₂	0.5 PPM	3 PPM / 10 PPM	GD-K88Ai-CL ₂ / DC / S ₂ / M2A	GD-70D	EAGLE / EAGLE 2 / GX-6000 / SC-01
Chlorine Trifluoride	ClF ₃	0.1 PPM	0.6 PPM	–	GD-70D	EAGLE
Combustibles LEL	LEL	–	100% LEL	DC / S ₂ / M2A / GD-A80 / PS ₂	35-3001 / GD-D58 / GD-70D	GP-03 / EAGLE / EAGLE 2 / GX-6000 / GX-2012 / Gas Tracer / GX-2009
Combustibles PPM	PPM	–	various PPM	GD-A80V	GD-70D, GD-D58V	EAGLE / EAGLE 2
Diborane	B ₂ H ₆	0.1 PPM	0.3 PPM	GD-K88Ai-B ₂ H ₆	GD-70D	EAGLE / SP-220
Dichlorosilane	DCS	HCl 5 PPM	15 PPM	GD-K88Ai-DCS	GD-70D	EAGLE
Disilane	Si ₂ H ₆	5 PPM	15 PPM	GD-K88Ai-Si ₂ H ₆	GD-70D	EAGLE
Fluorine	F ₂	1 PPM	3 PPM	–	GD-70D	EAGLE
Formaldehyde	HCHO	C 0.3 PPM	1 / 500 PPM	–	FP-330	FP-31 / SP-220
Germane	GeH ₄	0.2 PPM	0.2 / 0.8 PPM	–	GD-70D	SP-220
Halocarbons	HCFC	Various	0 ~ 5,000 (typ)	–	RI-257, GD-70D	–
Hexane	C ₆ H ₁₄	–	2,000 PPM	GD-A80V	GD-70D, GD-D58V	EAGLE / EAGLE 2 / GX-6000
Hexane	C ₆ H ₁₄	LEL = 1.1%	100% LEL	S ₂ / GD-A80 / DC / M2A / PS ₂	35-3001 / GD-D58	GP-03 / EAGLE / EAGLE 2 / GX-6000 / GX-2012 / Gas Tracer / GX-2009
Hydrazine	N ₂ H ₄	0.1 PPM	4 PPM	–	FP-310	–
Hydrocarbon LEL	LEL	–	100% LEL	M2A / S ₂ / GD-A80 / DC / PS ₂	35-3001-LEL / GD-D58 / GD-70D	GP-03 / EAGLE / EAGLE 2 / GX-6000 / RX-8000 / GX-2012 / Gas Tracer / GX-2009
Hydrocarbon PPM	PPM	–	various PPM	GD-A80V	GD-70D / GD-D58V	EAGLE / EAGLE 2 / GX-6000
Hydrogen LEL	H ₂	LEL = 4%	100% LEL	DC / S ₂ / M2A / GD-A80 / H ₂ Specific / PS ₂	GD-70D / GD-D58	GP-03 / EAGLE / EAGLE 2 / GX-6000 / GX-2012 Gas Tracer / GX-2009
Hydrogen PPM	H ₂	–	10 / 2,000 PPM	H ₂ Specific / GD-A88V-H ₂ /S ₂	GD-70D / GD-D58V	EAGLE / EAGLE 2 / SP-220
Hydrogen Bromide	HBr	C 3 PPM	9 / 10 PPM	GD-K88Ai-HBR	GD-70D	EAGLE / SP-220
Hydrogen Chloride	HCl	C 5 PPM	10 / 15 PPM	GD-K88Ai-HCL	GD-70D	EAGLE / SP-220
Hydrogen Cyanide	HCN	STEL C 4.7 PPM	15 / 30 PPM	DC / S ₂ / M2A / GD-K88Ai-HCN	GD-70D	EAGLE / EAGLE 2 (0-15 ppm) / GX-6000
Hydrogen Fluoride	HF	C 3 PPM	9 PPM	–	GD-70D	EAGLE
Hydrogen Iodide	HI	–	5 PPM	–	GD-70D	EAGLE
Hydrogen Sulfide	H ₂ S	0.1 / 1 PPM	1 / 30 PPM	GD-K88Ai-H ₂ S	GD-70D	EAGLE / SC-01 / SP-220
Hydrogen Sulfide	H ₂ S	1 PPM	100 PPM	DC / S ₂ / M2A / M-Series	35-3001-H ₂ S	HS-03 / EAGLE / EAGLE 2 / GX-6000 / GX-2012 / GX-2009
Iodine	I ₂	STEL C 0.1 PPM	1 PPM	–	GD-70D	EAGLE
Isobutane	iC ₄ H ₁₀	LEL = 1.8%	100% LEL	DC / S ₂ / M2A / GD-A80 / PS ₂	35-3001 / GD-D58 / GD-70D	GP-03 / EAGLE / EAGLE 2 / GX-6000 / GX-2012 / Gas Tracer / GX-2009 / RX-8000
Isopropyl Alcohol (IPA)	CH ₃ CHOHCH ₃	400 PPM	10 / 2,000 PPM	GD-A80V	GD-70D / GD-D58V	EAGLE / EAGLE 2 / GX-6000 / SP-220
Methane	CH ₄	LEL = 5%	100% LEL	DC / S ₂ / M2A / GD-A80 / PS ₂	GD-70D / GD-D58	GP-03 / EAGLE / EAGLE 2 / GX-6000 / GX-2012 / Gas Tracer / GX-2009 RX-8000
Nitric Acid	HNO ₃	2 PPM	20 PPM	–	GD-70D	EAGLE
Nitric Oxide	NO	25 PPM	100 PPM	GD-K88Ai-NO	GD-70D	EAGLE
Nitrogen Dioxide	NO ₂	3 PPM	9 PPM / 15 PPM	GD-K88Ai-NO ₂	GD-70D	EAGLE / GX-6000
Nitrogen Tetraoxide	N ₂ O ₄	NO ₂ 3 PPM	15 PPM	–	GD-70D	EAGLE
Nitrogen Trifluoride	NF ₃	10 PPM	30 PPM	–	GD-70D	–
Octafluorocyclopentene	C ₅ F ₈	–	5 PPM	–	FP-300AGZS	–
Oxygen	O ₂	–	25% / 40%	OX-600 / DC / S ₂ / M2A	35-3001-OXY / GD-70D	OX-03 / EAGLE / EAGLE 2 / GX-6000 / GX-2012 / Gas Tracer / GX-2009 / RX-8000
Ozone	O ₃	0.1 PPM	0.6 PPM	GD-K88Ai-O ₃	GD-70D	EAGLE
Pentane	C ₅ H ₁₂	LEL = 1.5%	100% LEL	DC / S ₂ / M2A / GD-A80 / PS ₂	35-3001 / GD-D58	GP-03 / EAGLE / EAGLE 2 / GX-6000 / GX-2012 / Gas Tracer / GX-2009
Perfluorobutadiene	C ₄ F ₆	–	5 PPM	–	FP-300AGZS	–
Phosphine	PH ₃	0.3 PPM	1 / 2 PPM	GD-K88Ai-PH ₃ / DC / S ₂ / M2A	GD-70D	EAGLE / EAGLE 2 / SC-01 / SP-220
Propane	C ₃ H ₈	LEL = 2.1%	10 PPM / 100% LEL	DC / S ₂ / M2A / GD-A80 / PS ₂	35-3001 / GD-D58 / GD-70D	GP-03 / EAGLE / EAGLE 2 / GX-6000 / GX-2012 / Gas Tracer / GX-2009 / SP-220
Silane	SiH ₄	5 PPM	0.5 / 15 PPM	GD-K88Ai-SiH ₄	GD-70D	EAGLE / SP-220
Silicon Tetrachloride	SiCl ₄	HCl C 5 PPM	15 PPM	GD-K88Ai-SiCl ₄	GD-70D	EAGLE
Silicon Tetrafluoride	SiF ₄	HF C 3 PPM	9 PPM	–	GD-70D	EAGLE
Sulfur Dioxide	SO ₂	.25 PPM	1/6/10/15/30 PPM	DC / S ₂ / M2A / GD-K88Ai-SO ₂	GD-70D	EAGLE / EAGLE 2 / GX-6000 / SC-01 / SP-220
Sulfur Tetrafluoride	SF ₄	HF C 3 PPM	9 PPM	–	GD-70D	EAGLE
Tetraethyl Orthosilicate	TEOS	10 PPM	15 PPM	–	GD-70D	–
Trichlorosilane	TCS	HCl C 5 PPM	15 PPM	–	GD-70D	EAGLE
Trimethoxy Phosphate	TMP	2 PPM	15 PPM	–	GD-70D	–
Trimethoxyboron	TMB	–	500 PPM	–	GD-70D	–
Toluene	C ₆ H ₅ CH ₃	20 PPM	various PPM	GD-A80V	GD-70D / GD-D58V	EAGLE / EAGLE 2 / GX-6000
Tungsten Hexafluoride	WF ₆	HF C 3 PPM	9 PPM	–	GD-70D	EAGLE
1 1 1-Trichloroethane	C ₂ H ₃ Cl ₃	350 PPM	0 ~ 2,000 PPM	GD-A80V	GD-D58V	–
Volatile Organic Compound	VOCs	–	0-50 / 50-6000 PPM	–	–	EAGLE 2 / GX-6000

*Other gases and ranges also available. Please call RKI Instruments at (800) 754-5165. DC = Direct Connect Sensors.

Table of Contents

Premier Portable Instruments	1
03 Single Gas Personal Monitor	1
03 Series Instrument Price Includes	2
Replacement Sensors	2
03 Series Calibration Kits	2
SDM-03 Calibration Station With AC Adaptor	3
SDM-03 Calibration Station Without AC Adaptor	4
SDM-03 Calibration Station Accesories	4
03 Series Accessories & Replacement Parts	5
03 Series Accessories & Replacement Parts	6
GX-2009 With 115 VAC Standard Charger	7
GX-2009 With 12 VDC Charger & Vehicle Plug	7
GX-2009 Four Gas Personal Monitor (Charger Not Included)	8
Replacement Sensors	8
GX-2009 MSHA With 115 VAC Standard Charger	9
GX-2009 MSHA With 12 VDC Charger & Vehicle Plug	9
GX-2009 MSHA Four Gas Personal Monitor (Charger Not Included)	9
GX-2009 Calibration Kits	10
SDM-2009 Calibration Station	11
GX-2009 Instrument Bundles (Instrument & Charger Included)	12
GX-2009 Accessory Bundles (Instrument & Charger Not Included)	12
GX-2009 Accessories & Replacement Parts	13
GX-2009 Accessories & Replacement Parts	14
RP-2009 Sample Drawing Pump For GX-2009	15
RP-2009 Accessories & Replacement Parts	15
GX-2012 Five Sensor Sample Draw Confined Space Monitor	17
GX-2012 Replacement Sensors	18
GX-2012 Calibration Kits	18
GX-2012 Instrument Bundles (Instrument Included)	19
SDM-2012 Calibration Station	20
GX-2012 Replacement Parts & Accessories	21
GX-2012 Replacement Parts & Accessories	22
GX-2012 Five Sensor Sample Draw Confined Space Monitor with CSA Approval	23
GX-2012 CSA Replacement Sensors	24
GX-2012 CSA Calibration Kits	24
Gas Tracer Five Sensor Sample Draw Leak Checker & Confined Space Monitor	25
Replacement Sensors	26
Gas Tracer Calibration Kits	26
Gas Tracer Calibration Station	26
Replacement Parts & Accessories	28
GX-6000 Six Sensor Sample Draw Gas Monitor Price Configurator	29
GX-6000 Instrument Price Includes	30
GX-6000 Common Configurations	30
GX-6000 Replacement Sensors	30
GX-6000 Calibration Kits	31
GX-6000 Bundles	31
GX-6000 Replacement Parts & Accessories	32
GX-6000 Replacement Parts & Accessories	33
SDM-6000 Calibration Station	34
SDM-6000 Replacement Parts & Accessories	35
SDM-6000 Calibration Gas and Hardware	35
SDM-6000 Calibration Gas and Hardware	36
GX-6000 Spare Parts Call Out	37

Table of Contents

EAGLE 2 One to Six Gas Portable	39
Calibration Notes	40
Impractical Combinations	40
Special Attention Combinations	40
Single Gas Models	41
Two Gas Models	42
Three Gas Models.....	44
Four Gas Models	46
Five Gas Models	48
Six Gas Models	50
Replacement Sensors	51
SDM-E2 Calibration Station	52
Calibration Equipment	52
EAGLE 2 Replacement Parts & Accessories	53
Eagle 2 Confined Space Kit (Instrument & Cal Kit Included)	54
EAGLE Portable Series	55
Single Gas Models	58
Two Gas Models	59
Three Gas Models.....	61
Four Gas Models	63
Five Gas Models	65
Six Gas Models	66
EAGLE Replacement Sensors	67
Calibration Equipment	68
EAGLE Replacement Parts and Accessories	69
Specialty Portable Instruments	71
SC-01 Single Toxic Gas Monitor	71
SC-01 Replacement Sensors.....	72
SC-01 Accessories & Replacement Parts	72
GP-1000 Sample Draw Combustible with 25 Selectable Gases	73
NC-1000 PPM Scale Combustible Detector	73
GP-1000 & NC-1000 Accessories & Replacement Parts	73
SP-220 Combustible, Toxic, and Fumigant Leak Detector	74
SP-220 Accessories & Replacement Parts	74
FP-31 Formaldehyde Monitor	74
Replacement Parts & Accessories.....	74
OX-07 Oxygen Monitor with available Extender Cable	75
RI-85 Hand Held Infrared CO2 Monitor	75
FI-8000 Optical Interferometer for Fumigants	76
Replacement Parts & Accessories	76
SC-8000 Toxic Sample Draw Gas Monitor	76
Replacement Sensors	76
SC-8000 Toxic Sample Draw Gas Monitor	77
GX-8000 Harsh Environment Sample Draw Gas Monitor	78
Replacement Sensors	78
GX-8000 Replacement Parts & Accessories	78
RX-8000 Series IR Combustible Monitor, 0 - 100% LEL / Volume	79
RX-8000 Series Dual Gas IR For LEL/Volume HC & Oxygen	79
RX-8000 Replacement Sensor	79
RX-8000 Replacement Parts & Accessories	80
RX-515, RX-516, & RX-517 Multi-Gas IR Monitors (Limited supply. Check availability)	81
Replacement Sensors For RX-515, RX-516, & RX-517	81
Replacement Parts & Accessories For RX-515, RX-516, & RX-517	81

Table of Contents

Discontinued Portables Replacement Parts	83
GasWatch 2 Single Gas Monitor	83
GasWatch 2 Replacement Sensors	83
GasWatch 2 Calibration Kits	83
01 Series Accessories & Replacement Parts	84
01 Series Replacement Sensors	84
01 Series Calibration Kits	84
GX-2001 Four Gas Personal Monitor	85
RP-6 Accessories & Replacement Parts	86
GX-2003 Five in One Sample Draw	87
GX-2003 Replacement Sensors	88
Calibration Kits	88
P-200 Series Hand Aspirated Single Gas (GP-204, NP-204, XP-204)	89
FP-30 /FP-40 Formaldehyde Monitor Parts	89
RI-415 & RX-415 Series IR Combustible Monitors, 0 - 100% LEL / Volume	90
RI-415 & RX-415 Replacement Sensors	90
GX - 94 Two, Three or Four Gas Diffusion	91
GX - 94 Replacement Sensors	91
GX-82A & GX - 86A Multi-Gas Diffusion Monitor	92
Replacement Sensors	92
GX-82A & GX - 86A Calibration Kits	93
GX-4000A Four Gas Detector (GX-111)	93
Replacement Sensors	93
Calibration Kits	93
GP-226 Dual Range Combustible Detector	94
OX-226 Oxygen Detector	94
OX-1C Oxygen Sample Draw Detector	94
Portable Replacement Sensors	95
Calibration Equipment	101
Regulators For 17 / 34 L Steel Cylinders	101
Regulators For 34AL / 58AL Aluminum & 103L Steel	102
Calibration Cylinders	103
Calibration Hardware	106
03 Series Kits	107
GasWatch 2 Kits	107
Calibration Kits, Portable	107
01 Series Kits	107
GP-1000 / NC-1000 Kits	108
GX-2001 Kits	108
GX-2003 Kits	108
GX-2012 Kits	109
Gas Tracer Kits	110
GX-2001 Kits	110
EAGLE 1 Kits	111
GX-6000 Kits	115
EAGLE 2 Kits	115
SC-01 Kits	116
SC-8000 Kits	117
RI-415/RX-415/RX-515/RX-516/RX-517 Kits	117
RX-8000 Kits	118
SP-220 Kits	118

Table of Contents

Technical Services	119
Field Service Rates	119
Factory Repair Charges	119
Services For EAGLE & EAGLE 2	120
Upgrades	121
EAGLE 1 Upgrades	121
EAGLE 2 Upgrades	121
Fixed Systems Controllers	123
Beacon 110 Single Channel Wall Mount Controller	123
Beacon 200 Two Channel Wall Mount Controller	124
Beacon 410A Four Channel Wall Mount Controller	125
Beacon 800 Eight Channel Wall Mount Controller	126
RM-5000 Series 2, 4, 6, 8, or 12 Multi-Channel Controller and Alarm	127
Fixed Systems Sensors & Transmitters	129
Direct Connect Sensors	129
S2 Series Diffusion Sensor / Transmitter	133
M2A Series Stand Alone Transmitter	136
SD-1 Explosion Proof Transmitter	139
GD-70D Sample Drawing Sensor / Transmitter For Toxic Gases	140
GD-K88Ai Diffusion Sensor / Transmitter For Toxic Gases With Display	143
OX-600 Indoor Stand Alone Oxygen Monitor Alkaline	145
OX-600 Indoor Stand Alone Oxygen Monitor 24 VDC	145
OX-600 Indoor Stand Alone Oxygen Monitor 115 VAC *	145
EC-600 Indoor Stand Alone Carbon Monoxide Monitor Alkaline	146
EC-600 Indoor Stand Alone Carbon Monoxide Monitor 24 VDC	146
EC-600 Indoor Stand Alone Carbon Monoxide Monitor 115 VAC *	146
Fixed Systems Specialty Products	147
M - Series Low Cost Transmitter	147
PS 2 Combustible Single Point Stand Alone Monitor	147
RI-257 FC, HCFC, HFC & IPA Infrared Monitor	147
RI-215 Series IR CO2 Monitors	147
35-3001 Series Sample Draw Detector Assemblies (NEMA 4X Housing)	148
35-3001 Series Replacement Sensors	150
Explosion Proof Multi Point Detector Assembly	151
Wet Well Package	151
Rig Monitor H2S and/or LEL Systems	152
Single / Dual Point Air Aspirator Panel	153
Model 1017 Explosion Proof Sample Draw Direct Connect Sensor	153
Digester Gas Monitor	154
Paper Tape Monitors	155
Fixed Systems Legacy Products	156
GD-K71D Replacement Sensors	156
GD-K71D Replacement Parts	156
GD-K8A Replacement Sensors	157
GD-K8A Replacement Parts	157
S- Series Diffusion Sensor / Transmitter	158
OX-500 & EC-500 Replacement Sensors	160
35-3000 Series Replacement Sensors	160

Table of Contents

Fixed Systems Accessories	161
Lights, Strobes, and Horns - Non Hazardous Locations	161
Lights/Strobes and Horns - Hazardous Locations (Class I, Div 2)	162
Fixed Systems Replacement Parts and Accessories	163
Calibration Kits, Fixed Systems	165
Kits for M2A, S2, and Direct Connect	165
Kits for M2A, S2, and Direct Connect (Toxic ESM-01 sensors)	166
Kits for M2A, S2, and Direct Connect (IR XP sensors)	167
Kits for GD-A80 / GD-A80V	167
Kits For GD-K88Ai	168
Kits for PS 2	168
Kits for M Series	169
Kits for Remote Sample Transmitters	169
Kit for EC-600 & OX-600	169
Kit for OX-500	169
Kit for SD-1	169
Sample Draw Kits	170
Kits For Sample Draw Heads	170
Kits For RI-215A	170
Numerical Index	172

Table of Contents

Terms & Conditions

Prices

Prices are subject to change without notice. All prices are in US dollars.

Payment Terms

Our terms are net 30 days with credit approval. Customers with overdue accounts are subject to credit hold and may have future shipments pre-payment only. If paying by credit card a 3% service fee will apply.

Minimum Billing/Handling Charges

\$30.00 net minimum billing (excluding shipping charges) applies to any order. A handling charge will be added to any order under our minimum billing to equal \$30.00.

Shipping Charges

Shipping is prepaid and added to the invoice at the shipper's current published rates, unless a collect account number is provided. Within North America, RKI ships via UPS ground unless otherwise specified.

Dangerous Goods Shipments - Dangerous goods (calibration gas cylinders and kits) incur additional handling and shipping charges. This also applies to collect shipments.

International Shipping Charges

Any customs fees and/or import taxes, or duties that apply at country of destination are the responsibility of the consignee. RKI quotes only the shipping (transportation) cost.

Drop Shipments

RKI will drop ship to customers at no extra charge. RKI's default method of shipment is UPS Ground.

Next Day Delivery

Orders that require next day delivery must be received by 12:00 noon PST. Items ordered will ship if they are in stock. Customers must confirm next day orders by phone to assure next day delivery. Fixed system orders require a minimum of 24 hours for set up & calibration.

Order Acknowledgement

RKI confirms all orders by fax or email by request. Discrepancies must be challenged by the customer before the scheduled ship date; otherwise RKI accepts no responsibility for incorrect orders.

Shortages/Errors

Claims for shortage, shipping errors or damage must be made within 7 days after receipt of shipment.

Returns and Credits

Returns for credit must be pre-approved and accompanied by an RKI Material Return Form. Contact RKI for the Material Return Form, RMA number, and reason for return. RMA numbers are valid for 30 days only; after 30 days a new number must be requested. Returns not accompanied by a complete Material Return Form (with valid RMA number) will be returned to the sender. A restocking fee of \$75.00 or 10% of the invoice value (whichever is greater) will apply to all credit returns. Shipping charges are not credited. No returns of sensors, or instruments with sensors will be accepted after 30 days. No returns on dangerous goods (cylinders) or perishable items (tablets or tapes) shipments will be accepted.

Returns for Repair

All items returned for repair must be accompanied by a completed service order form with each instrument. The form must include a description of the problem. The Service Order Form is available on page ??? of this price list and also on our web site (<http://www.rkiinstruments.com/pages/repairform.htm>).

Satisfaction Guarantee

We guarantee that our equipment will perform to our specifications. If the customer is not satisfied, the equipment may be returned to RKI within 15 days of original shipment for full credit less shipping charges, if accompanied by a completed Material Return Form (and valid RMA number) and in new condition.

Calibration Certificates

Calibration certificates are available upon request at \$10 per instrument.



Product Warranty

9/1/2016

RKI Instruments, Inc. warrants gas alarm equipment sold by RKI to be free from defects in materials, workmanship, and performance for a period of one year* from the date of shipment from RKI Instruments, Inc. (some products have 2 year or 3 year warranty, as listed below). Any parts found defective within that period will be repaired or replaced, at our option, free of charge. Parts must be returned to RKI Instruments, Inc. for repair or replacement. This warranty does not apply to those items which by their nature are subject to deterioration or consumption in normal service, or which must be cleaned, repaired or replaced on a routine basis.

Examples of such items are:

- a) Pump diaphragms and valves
- b) Fuses
- c) Batteries
- d) Filter elements
- e) Scrubbers
- f) Lamps

Warranty is voided by abuse including mechanical damage, alteration, rough handling, liquid exposure, corrosion from battery leakage or repair procedures not in accordance with instruction manual. This warranty indicates the full extent of our liability, and we are not responsible for removal or replacement costs, local repair costs, transportation costs, or contingent expenses incurred without our prior approval.

THIS WARRANTY IS EXPRESSLY IN LIEU OF ANY AND ALL OTHER WARRANTIES AND REPRESENTATIONS, EXPRESSED OR IMPLIED, AND ALL OTHER OBLIGATIONS OR LIABILITIES ON THE PART OF RKI INSTRUMENTS, INC. INCLUDING BUT NOT LIMITED TO, THE WARRANTY OF MERCHANTABILITY OR FITNESS FOR A PARTICULAR PURPOSE. IN NO EVENT SHALL RKI INSTRUMENTS, INC. BE LIABLE FOR INDIRECT, INCIDENTAL OR CONSEQUENTIAL LOSS OR DAMAGE OF ANY KIND CONNECTED WITH THE USE OF ITS PRODUCTS OR FAILURE OF ITS PRODUCTS TO FUNCTION OR OPERATE PROPERLY.

This warranty covers instruments and parts sold to users only by authorized distributors, dealers and representatives as appointed by RKI Instruments, Inc.

We do not assume indemnification for any accident or damage caused by the operation of this gas monitor and our warranty is limited to the replacement of parts or our complete goods. Warranty covers parts and labor performed at RKI Instruments, Inc. only, and does not cover field labor or shipment of parts back to RKI.

* Warranty is one year for all products and parts except as indicated below:

2 Year warranty:

All Premier Portable instruments including EAGLE 1.
Eagle 2 and GX-6000 instruments also have a 2 year warranty with the exception of the PID sensor, which is warranted for one year.

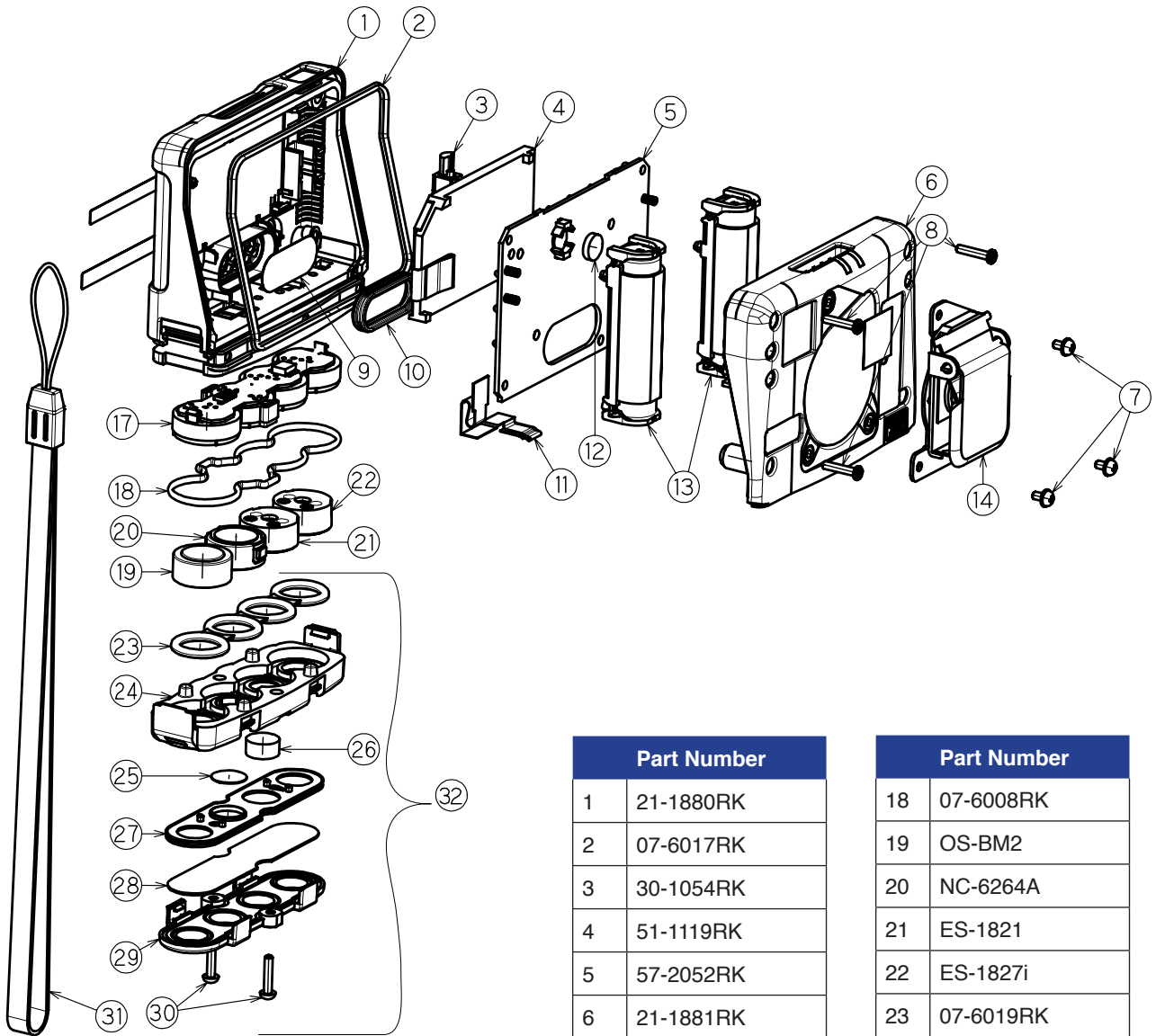
All Premier Portable instrument sensors including replacement sensors are warranted for 2 years. Sensors damaged by poisoning, contamination, overexposure, or left off bias are not warranted.

3 Year warranty:

HS-03 and CO-03 portable instruments have a 3 year warranty. Warranty covers instrument and original sensors for 3 years. Replacement sensors have a 2 year warranty.

Premier Portables

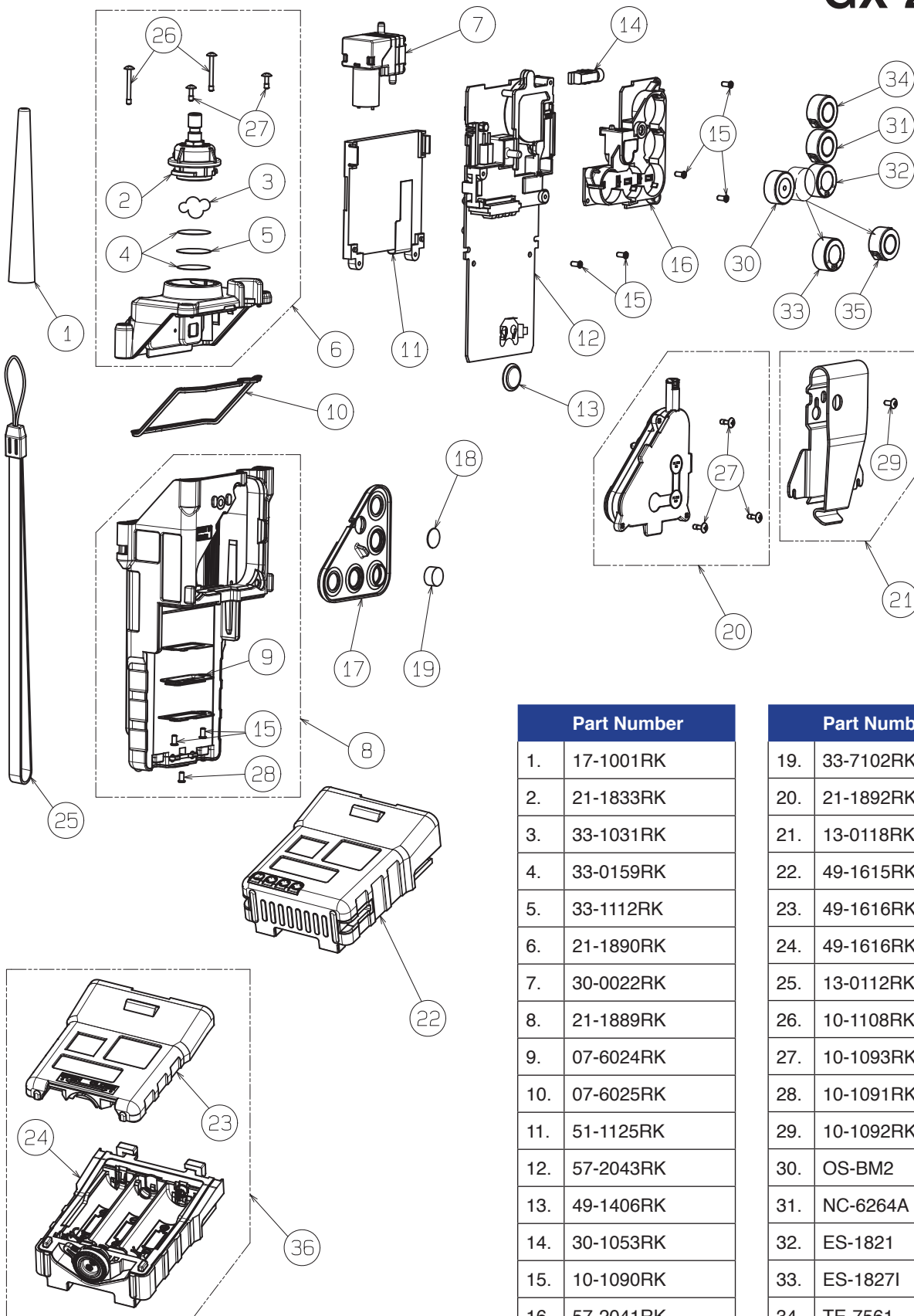
GX-2009



Part Number	
1	21-1880RK
2	07-6017RK
3	30-1054RK
4	51-1119RK
5	57-2052RK
6	21-1881RK
7	10-1098RK
8	10-1104RK
9	33-1113RK
10	07-6018RK
11	24-5000RK
12	49-1050RK
13	49-1609RK
14	13-0119RK
17	21-1883RK

Part Number	
18	07-6008RK
19	OS-BM2
20	NC-6264A
21	ES-1821
22	ES-1827i
23	07-6019RK
24	21-1882RK
25	33-7114RK
26	33-7102RK
27	07-6021RK
28	33-0172RK
29	21-1884RK
30	10-1104RK
31	13-0112RK
32	21-1885RK

GX-2012



Part Number	
1.	17-1001RK
2.	21-1833RK
3.	33-1031RK
4.	33-0159RK
5.	33-1112RK
6.	21-1890RK
7.	30-0022RK
8.	21-1889RK
9.	07-6024RK
10.	07-6025RK
11.	51-1125RK
12.	57-2043RK
13.	49-1406RK
14.	30-1053RK
15.	10-1090RK
16.	57-2041RK
17.	07-6026RK
18.	33-7114RK

Part Number	
19.	33-7102RK
20.	21-1892RK
21.	13-0118RK
22.	49-1615RK
23.	49-1616RK-01
24.	49-1616RK-02
25.	13-0112RK
26.	10-1108RK
27.	10-1093RK
28.	10-1091RK
29.	10-1092RK
30.	OS-BM2
31.	NC-6264A
32.	ES-1821
33.	ES-1827I
34.	TE-7561
35.	SH-8641
36.	49-1616RK

Premier Portable Instruments

03 Single Gas Personal Monitor



Part#	Description	Suggested Retail
72-0010	OX-03, 0-40 % O2 with alligator clip and alkaline batteries	280.00
72-0010-05	OX-03, 0-40 % O2 with alligator clip, alkaline batteries and calibration cup	310.00
72-0010-50	Kit including an OX-03 with alkaline batteries, screwdriver, and small padded case	325.00
72-0010-56	Kit including an OX-03 with alkaline batteries, screwdriver, case, and calibration kit (34L cyl 100% N2, regulator, cal cup & tubing)	565.00



72-0037	GP-03, 0-100 % LEL with alligator clip and alkaline batteries	320.00
72-0037-05	GP-03, 0-100 % LEL with alligator clip, alkaline batteries and calibration cup	345.00
72-0037-50	Kit including a GP-03 with alkaline batteries, screwdriver, and small padded case	365.00
72-0037-56	Kit including a GP-03 with alkaline batteries, screwdriver, case, and calibration kit (34L cyl 50% LEL CH4/Air, regulator, cal cup & tubing)	595.00



72-0038	GP-03, 0-100 % LEL with alligator clip and NiMH batteries only with no charger	345.00
72-0038-01	GP-03, 0-100 % LEL with alligator clip and NiMH batteries with 100-240 VAC / 12 VDC bench charger for 4 batteries	375.00
72-0038-05	GP-03, 0-100 % LEL with alligator clip and NiMH batteries with 100-240 VAC / 12 VDC bench charger for 4 batteries and calibration cup	405.00
72-0038-50	Kit including a GP-03 with NiMH batteries and 100-240 VAC / 12 VDC bench charger for 4 batteries, screwdriver, and small padded case	450.00
72-0038-56	Kit including a GP-03 with NiMH batteries and 100-240 VAC / 12 VDC bench charger for 4 batteries, screwdriver, case, and calibration kit (34L cyl 50% LEL CH4/Air, regulator, cal cup & tubing)	660.00



73-0060	CO-03, 0-500 ppm CO with alligator clip and alkaline batteries	280.00
73-0060-05	CO-03, 0-500 ppm CO with alligator clip, alkaline batteries and calibration cup	310.00
73-0060-50	Kit including a CO-03 with alkaline batteries, screwdriver, and small padded case	325.00
73-0060-56	Kit including a CO-03 with alkaline batteries, screwdriver, case, and calibration kit (34L cyl 50 ppm CO/N2, regulator, cal cup & tubing)	565.00



73-0062	HS-03, 0-100 ppm H2S with alligator clip and alkaline batteries	280.00
73-0062-05	HS-03, 0-100 ppm H2S with alligator clip, alkaline batteries and calibration cup	310.00
73-0062-50	Kit including an HS-03 with alkaline batteries, screwdriver, and small padded case	325.00
73-0062-56	Kit including an HS-03 with alkaline batteries, screwdriver, case, and calibration kit (34AL cyl 25 ppm H2S/N2, regulator, cal cup & tubing) ...	675.00

Premier Portable Instruments

03 Series Instrument Price Includes

<u>Part#</u>	<u>Description</u>
13-0121	Alligator Clip for 03 series
20-0325	Rubber boot for 03 series
49-1110RK	Battery, alkaline, AAA (includes 2)
71-8008	Product CD, 03 Series, includes data downloading software, operators manual, spare parts list, and quick reference card

Replacement Sensors

<u>Part#</u>	<u>Description</u>	<u>Suggested Retail</u>
ES-1821	Sensor, Carbon Monoxide (CO) for GX-2009/GX-2012/GX-6000/CO-03/GasWatch 2/Gas Tracer	140.00
ES-1827i	Sensor, Hydrogen Sulfide (H2S) for GX-2009/GX-2012/GX-6000/HS-03/GasWatch 2	140.00
NC-6264A	Sensor, LEL, for GX-2009/GX-2012/GX-6000/GP-03/Gas Tracer	120.00
OS-BM2	Sensor, Oxygen (O2) for GX-2009/GX-2012/GX-6000/GasWatch 2/OX-03/Gas Tracer.....	120.00

03 Series Calibration Kits

<u>Instrument #</u>	<u>Cal-Kit Part #</u>	<u>Cal-Kit Description</u>	<u>Price</u>
72-0010	81-OX03	Cal kit, OX-03, 103L cyl 100% N2, regulator, cal cup, case & tubing	370.00
	81-OX03-LV	Cal kit, OX-03, 34L cyl 100% N2, regulator, cal cup, case & tubing	285.00
72-0037 72-0038	81-GP03	Cal kit, GP-03, 103L cyl 50% LEL CH4/Air, regulator, cal cup, case & tubing	370.00
	81-GP03-LV	Cal kit, GP-03, 34L cyl 50% LEL CH4/Air, regulator, cal cup, case & tubing	285.00
	81-GP03-HLV	Cal kit, GP-03, 34L cyl 50% LEL Hexane/Air, regulator, cal cup, case & tubing	285.00
	81-GP03H2-LV	Cal kit, GP-03, 34L cyl 50% LEL Hydrogen/Air, regulator, cal cup, case & tubing	285.00
	81-GP03IB-LV	Cal kit, GP-03, 34L cyl 50% LEL Isobutane/Air, regulator, cal cup, case & tubing	285.00
73-0060	81-CO03	Cal kit, CO-03, 103L cyl 50 ppm CO/N2, regulator, cal cup, case & tubing	370.00
	81-CO03-LV	Cal kit, CO-01, 34L cyl 50 ppm CO/N2, regulator, cal cup, case & tubing	285.00
73-0062	81-HS03	Cal kit, HS-03, 58AL cyl 25 ppm H2S/N2, regulator, cal cup, case & tubing	390.00
	81-HS03-LV	Cal kit, HS-03, 34AL cyl 25 ppm H2S/N2, regulator, cal cup, case & tubing	355.00

Premier Portable Instruments

SDM-03 Calibration Station With AC Adaptor

Part#	Description	Suggested Retail
81-SDM03-01	Single point calibration station for O3 Series, model SDM-03 with AC Adaptor, flash drive, USB cable, tubing & installation CD	1,280.00
81-SDM03-02	Single point calibration station for O3 Series, model SDM-03 with AC Adaptor, flash drive, USB cable, tubing, installation CD, & demand flow regulator	1,560.00
81-SDM03-03-GP	Single point calibration station for O3 Series, model SDM-03 with AC Adaptor, flash drive, USB cable, tubing, installation CD, demand flow regulator & 103L cyl 50% LEL CH4/Air	1,715.00
81-SDM03-06-GP	Single point calibration station for O3 Series, model SDM-03 with AC Adaptor, flash drive, USB cable, tubing, installation CD, demand flow regulator & 34L cyl 50% LEL CH4/Air	1,615.00
81-SDM03-03-CO	Single point calibration station for O3 Series, model SDM-03 with AC Adaptor, flash drive, USB cable, tubing, installation CD, demand flow regulator & 103L cyl 50 ppm CO/N2	1,715.00
81-SDM03-06-CO	Single point calibration station for O3 Series, model SDM-03 with AC Adaptor, flash drive, USB cable, tubing, installation CD, demand flow regulator & 34L cyl 50 ppm CO/N2	1,615.00
81-SDM03-03-HS	Single point calibration station for O3 Series, model SDM-03 with AC Adaptor, flash drive, USB cable, tubing, installation CD, demand flow regulator & 58AL cyl 25 ppm H2S/N2	1,735.00
81-SDM03-06-HS	Single point calibration station for O3 Series, model SDM-03 with AC Adaptor, flash drive, USB cable, tubing, installation CD, demand flow regulator & 34AL cyl 25 ppm H2S/N2	1,685.00
81-SDM03-03-OX	Single point calibration station for O3 Series, model SDM-03 with AC Adaptor, flash drive, USB cable, tubing, installation CD, demand flow regulator & 103L cyl 100% N2	1,715.00
81-SDM03-06-OX	Single point calibration station for O3 Series, model SDM-03 with AC Adaptor, flash drive, USB cable, tubing, installation CD, demand flow regulator & 34L cyl 100% N2	1,615.00



Premier Portable Instruments

SDM-03 Calibration Station Without AC Adaptor (Requires AC adaptor, Part # 49-2058RK-04)

<u>Part#</u>	<u>Description</u>	<u>Suggested Retail</u>
81-SDM03-01	Single point calibration station for 03 Series, model SDM-03 with AC Adaptor, flash drive, USB cable, tubing & installation CD	1,280.00
81-SDM03-02	Single point calibration station for 03 Series, model SDM-03 with AC Adaptor, flash drive, USB cable, tubing, installation CD, & demand flow regulator	1,560.00
81-SDM03-03-GP	Single point calibration station for 03 Series, model SDM-03 with AC Adaptor, flash drive, USB cable, tubing, installation CD, demand flow regulator & 103L cyl 50% LEL CH4/Air	1,715.00
81-SDM03-06-GP	Single point calibration station for 03 Series, model SDM-03 with AC Adaptor, flash drive, USB cable, tubing, installation CD, demand flow regulator & 34L cyl 50% LEL CH4/Air	1,615.00
81-SDM03-03-CO	Single point calibration station for 03 Series, model SDM-03 with AC Adaptor, flash drive, USB cable, tubing, installation CD, demand flow regulator & 103L cyl 50 ppm CO/N2	1,715.00
81-SDM03-06-CO	Single point calibration station for 03 Series, model SDM-03 with AC Adaptor, flash drive, USB cable, tubing, installation CD, demand flow regulator & 34L cyl 50 ppm CO/N2	1,615.00
81-SDM03-03-HS	Single point calibration station for 03 Series, model SDM-03 with AC Adaptor, flash drive, USB cable, tubing, installation CD, demand flow regulator & 58AL cyl 25 ppm H2S/N2	1,735.00
81-SDM03-06-HS	Single point calibration station for 03 Series, model SDM-03 with AC Adaptor, flash drive, USB cable, tubing, installation CD, demand flow regulator & 34AL cyl 25 ppm H2S/N2	1,685.00
81-SDM03-03-OX	Single point calibration station for 03 Series, model SDM-03 with AC Adaptor, flash drive, USB cable, tubing, installation CD, demand flow regulator & 103L cyl 100% N2	1,715.00
81-SDM03-06-OX	Single point calibration station for 03 Series, model SDM-03 with AC Adaptor, flash drive, USB cable, tubing, installation CD, demand flow regulator & 34L cyl 100% N2	1,615.00



SDM-03 Calibration Station Accesories

<u>Part#</u>	<u>Description</u>	<u>Suggested Retail</u>
33-0167RK	Filter, particulate, CF-8369	25.00
49-2058RK-04	AC adapter 4 port charger for SDM-2009, SDM-2012, and SDM-03	88.00
81-0012RK-01	Cylinder, Methane, 50% LEL in Air, 34L	55.00
81-0012RK-03	Cylinder, Methane, 50% LEL/Air, 103L	155.00
81-0064RK-01	Cylinder, CO, 50 ppm in Air, 34L	55.00
81-0064RK-03	Cylinder, CO, 50 ppm in Air, 103L	155.00
81-0078RK-01	Cylinder, N2 100%, 34L	55.00
81-0078RK-03	Cylinder, N2 100%, 103L	155.00
81-0151RK-04	Cylinder, H2S 25 ppm in N2, 34AL	125.00
81-1054RK	Regulator, demand flow for 34AL/58AL/103L	280.00
81-1055RK	Regulator, demand flow for 17L/34L steel cylinders	280.00
82-6002	PC Controller with ethernet networking kit for SDM-2009, SDM-2012, and SDM-03 calibrations stations, 11.5 inch screen 64 bit Windows 7 Professional pc with SDM PC Controller software installed and 6' ethernet cable	795.00
82-6105RK	USB flash drive, 1 GB, for calibration stations	30.00

Premier Portable Instruments

03 Series Accessories & Replacement Parts

Part#	Description	Suggested Retail
06-1248RK	Tubing, polyurethane, 3/16 OD x 5/16 ID, per foot	2.00
07-6031	Gasket for battery compartment cover on 03 series	2.00
07-6032	Gasket between front and rear case of 03 series	2.40
07-6033	Sensor gasket for 03 series.....	2.00
07-6034	Rubber sheet around buzzer on main board of 03 series.....	1.40
10-1105-01	Screw, M 2 x 8 mm, pan head phillips, with washer, SUSXM7, for 03 series.....	4.00
13-0112RK	Wrist strap	4.00
13-0121	Alligator Clip for 03 series (requires 13-0204RK for installation)	25.00
13-0122	Belt Clip for 03 series	18.00
13-0204RK	Spring bar with outer tube for 03 Series and wrist band of GasWatch 2.....	1.00
13-1116	Screw for battery compartment cover of 03 series	4.00
15-0500	Battery contact short for 03 series	5.00
15-0501	Battery contact piece (-) for 03 series	2.50
15-0502	Battery contact piece (+) for 03 series	2.50
20-0110RK-01	Case for 1-3 cylinders, 17/34L/34AL, with foam.....	75.00
20-0115RK-01	Padded carrying case for one GX-2009 or 03 series instrument and charger only	48.00
20-0325	Rubber boot for 03 series	14.00
21-1908	Battery compartment cover for 03 series	5.00
21-1909	Battery contact holder for 03 series	3.00
21-1910	Rear case for GP-03 and OX-03	16.00
21-1911	Rear case for CO-03 and HS-03	16.00
21-1913	Front case assembly for 03 series	20.00
29-0651	Label, silver, RKK address for 03 series	0.50
29-0652	Label, front for GP-03	6.00
29-0653	Label, front for OX-03	6.00
29-0654	Label, front for CO-03	6.00
29-0655	Label, front for HS-03	6.00
29-6100	Water immersion sensing seal, adhesive backed for 03 series, GX-6000, and SP-220.....	15.00
30-1055	Vibration motor for 03 series	20.00
33-0175	Sensor membrane, PF020 for 03 series	1.80
33-7106RK	Filter, charcoal, for CO sensor, strip of 5, GX-2001, GasWatch 2, & CO-03	12.00
47-5084RK-01	Downloading cable, USB / IrDA adapter, Windows XP, Windows 7, & Windows 8 compatible (Not needed if computer has built-in IR port)	220.00
49-1110RK	Battery, alkaline, AAA	1.20
49-1312	Battery, Ni-MH, AAA, Eneloop by Panasonic	12.60
49-2058RK-04	AC adapter 4 port charger for SDM-2009, SDM-2012, and SDM-03.....	88.00
49-3105RK	Charger, NiMH, charges four AAA size with A/C adapter and DC vehicle plug	36.00
49-3106RK	Charger, NiMH, charges twelve AAA size with A/C adapter and DC vehicle plug	72.00
51-1130	LCD Module for 03 series	18.00
57-1282	Main PC board assembly, GP-03	160.00
57-1283	Main PC board assembly, OX-03	150.00
57-1284	Main PC board assembly, CO-03	150.00
57-1285	Main PC board assembly, HS-03	150.00
71-8008	Product CD, 03 Series, includes data downloading software, operators manual, spare parts list, and quick reference card	0.00
81-0002RK-01	Cylinder, H2, 50% LEL in Air, 34L	55.00
81-0002RK-03	Cylinder, H2, 50% LEL in Air, 103L	155.00
81-0007RK-01	Cylinder, Hexane, 15% LEL/Air, 34L	55.00
81-0007RK-03	Cylinder, Hexane, 10% LEL (0.11%) in Air, 103L.....	155.00
81-0012RK-01	Cylinder, Methane, 50% LEL in Air, 34L	55.00
81-0012RK-03	Cylinder, Methane, 50% LEL/Air, 103L	155.00
81-0018RK-01	Cylinder, isobutane 50% LEL in Air, 34L.....	55.00
81-0018RK-03	Cylinder, isobutane 50% LEL in Air, 103L	155.00
81-0064RK-01	Cylinder, CO, 50 ppm in Air, 34L	55.00
81-0064RK-03	Cylinder, CO, 50 ppm in Air, 103L	155.00
81-0078RK-01	Cylinder, N2 100%, 34L	55.00
81-0078RK-03	Cylinder, N2 100%, 103L.....	155.00
81-0151RK-02	Cylinder, H2S 25 ppm in N2, 58AL	175.00

Premier Portable Instruments

03 Series Accessories & Replacement Parts

Part#	Description	Suggested Retail
81-0151RK-04	Cylinder, H2S 25 ppm in N2, 34AL	125.00
81-1050RK	Regulator, with gauge & knob, 17/34L, 0.5 LPM	125.00
81-1051RK	Regulator, with gauge & knob, 34AL/58AL/103L, 0.5 LPM	125.00
81-1146	Calibration adapter for 03 series	30.00
82-6050RK	USB Hub, 4 port 2.0 for SDM-2012	72.00
82-6051RK	USB Hub, 7 port 2.0 for SDM-2012	90.00

Premier Portable Instruments

GX-2009 With 115 VAC Standard Charger

<u>Part#</u>	<u>Description</u>	<u>Suggested Retail</u>
72-0300RKC	GX-2009, 1 gas, LEL with alligator clip and 115 / 220 VAC charger	620.00
72-0302RKC	GX-2009, 1 gas, H2S with alligator clip and 115 / 220 VAC charger	620.00
72-0304RKC	GX-2009, 2 gas, LEL / O2 with alligator clip and 115 / 220 VAC charger ...	645.00
72-0305RKC	GX-2009, 2 gas, O2 / H2S with alligator clip and 115 / 220 VAC charger ...	645.00
72-0306RKC	GX-2009, 2 gas, O2 / CO with alligator clip and 115 / 220 VAC charger ...	645.00
72-0307RKC	GX-2009, 2 gas, LEL / H2S with alligator clip and 115 / 220 VAC charger...	645.00
72-0308RKC	GX-2009, 2 gas, LEL / CO with alligator clip and 115 / 220 VAC charger	645.00
72-0309RKC	GX-2009, 2 gas, H2S / CO with alligator clip and 115 / 220 VAC charger	645.00
72-0310RKC	GX-2009, 3 gas, LEL / O2 / H2S with alligator clip and 115 / 220 VAC charger	670.00
72-0311RKC	GX-2009, 3 gas, LEL / O2 / CO with alligator clip and 115 / 220 VAC charger	670.00
72-0312RKC	GX-2009, 3 gas, LEL / H2S / CO with alligator clip and 115 / 220 VAC charger	670.00
72-0313RKC	GX-2009, 3 gas, O2 / H2S / CO with alligator clip and 115 / 220 VAC charger	670.00
72-0314RKC	GX-2009, 4 gas, LEL / O2 / H2S / CO with alligator clip and 115 / 220 VAC charger	695.00



Instrument Price Includes

13-0112RK	Wrist strap
49-0115RK	115 / 220 VAC Adapter for charger, GX-6000/GX-2009/GX-2012/Gas Tracer/EAGLE 2/GX-8000 (charger unit not included)
49-1609RK	NiMH battery set with hardware for GX-2009, set of 2 batteries
49-2170RK	Charging station base only, BC-2009
71-8002RK	Product CD, GX-2009, includes Product Training, Parts List, Data Logging Program, User Setup Program, Operators Manual, and Quick Reference Card

GX-2009 With 12 VDC Charger & Vehicle Plug

<u>Part#</u>	<u>Description</u>	<u>Suggested Retail</u>
72-0300RKA	GX-2009, 1 gas, LEL with alligator clip, 12 VDC charger and vehicle plug	635.00
72-0304RKA	GX-2009, 2 gas, LEL / O2 with alligator clip, 12 VDC charger and vehicle plug	660.00
72-0305RKA	GX-2009, 2 gas, O2 / H2S with alligator clip, 12 VDC charger and vehicle plug	660.00
72-0306RKA	GX-2009, 2 gas, O2 / CO with alligator clip, 12 VDC charger and vehicle plug	660.00
72-0307RKA	GX-2009, 2 gas, LEL / H2S with alligator clip, 12 VDC charger, and vehicle plug	660.00
72-0308RKA	GX-2009, 2 gas, LEL / CO with alligator clip, 12 VDC charger, and vehicle plug	660.00
72-0309RKA	GX-2009, 2 gas, H2S / CO with alligator clip, 12 VDC charger, and vehicle plug	660.00
72-0310RKA	GX-2009, 3 gas, LEL / O2 / H2S with alligator clip, 12 VDC charger, and vehicle plug	685.00
72-0311RKA	GX-2009, 3 gas, LEL / O2 / CO with alligator clip, 12 VDC charger, and vehicle plug	685.00
72-0312RKA	GX-2009, 3 gas, LEL / H2S / CO with alligator clip, 12 VDC charger, and vehicle plug	685.00
72-0313RKA	GX-2009, 3 gas, O2 / H2S / CO with alligator clip, 12 VDC charger, and vehicle plug	685.00
72-0314RKA	GX-2009, 4 gas, LEL / O2 / H2S / CO with alligator clip, 12 VDC charger, and vehicle plug	710.00



Instrument Price Includes

13-0112RK	Wrist strap
49-1609RK	NiMH battery set with hardware for GX-2009, set of 2 batteries
49-2020RK	12 VDC Adapter for charger with vehicle plug (charger base not included), GX-2009/GX-2012/Gas Tracer
49-2170RK	Charging station base only, BC-2009
71-8002RK	Product CD, GX-2009, includes Product Training, Parts List, Data Logging Program, User Setup Program, Operators Manual, and Quick Reference Card

Premier Portable Instruments

GX-2009 Four Gas Personal Monitor (Charger Not Included)



Part#	Description	Suggested Retail
72-0300RK	GX-2009, 1 gas, LEL with alligator clip, no charger	570.00
72-0304RK	GX-2009, 2 gas, LEL / O2 with alligator clip, no charger	595.00
72-0305RK	GX-2009, 2 gas, O2 / H2S with alligator clip, no charger	595.00
72-0306RK	GX-2009, 2 gas, O2 / CO with alligator clip, no charger	595.00
72-0307RK	GX-2009, 2 gas, LEL / H2S with alligator clip, no charger	595.00
72-0308RK	GX-2009, 2 gas, LEL / CO with alligator clip, no charger	595.00
72-0309RK	GX-2009, 2 gas, H2S / CO with alligator clip, no charger	595.00
72-0310RK	GX-2009, 3 gas, LEL / O2 / H2S with alligator clip, no charger	620.00
72-0311RK	GX-2009, 3 gas, LEL / O2 / CO with alligator clip, no charger	620.00
72-0312RK	GX-2009, 3 gas, LEL / H2S / CO with alligator clip, no charger	620.00
72-0313RK	GX-2009, 3 gas, O2 / H2S / CO with alligator clip, no charger	620.00
72-0314RK	GX-2009, 4 gas, LEL / O2 / H2S / CO with alligator clip, no charger	645.00

Instrument Price Includes

13-0112RK	Wrist strap
49-1609RK	NiMH battery set with hardware for GX-2009, set of 2 batteries
71-8002RK	Product CD, GX-2009, includes Product Training, Parts List, Data Logging Program, User Setup Program, Operators Manual, and Quick Reference Card

Replacement Sensors

Part#	Description	Suggested Retail
ES-1821	Sensor, Carbon Monoxide (CO) for GX-2009/GX-2012/GX-6000/CO-03/GasWatch 2/Gas Tracer	140.00
ES-1827i	Sensor, Hydrogen Sulfide (H2S) for GX-2009/GX-2012/GX-6000/HS-03/GasWatch 2	140.00
OS-BM2	Sensor, Oxygen (O2) for GX-2009/GX-2012/GX-6000/GasWatch 2/OX-03/Gas Tracer.....	120.00
NC-6264A	Sensor, LEL, for GX-2009/GX-2012/GX-6000/GP-03/Gas Tracer	120.00
NC-6264AZX	Sensor, LEL, silicone resistant, for GX-2009/GX-2012/GX-6000/GX-2001/GX-2003/Gas Tracer/GP-01	130.00

Premier Portable Instruments

GX-2009 MSHA With 115 VAC Standard Charger

Part#	Description	Suggested Retail
72-0300-MSHA-C	GX-2009 MSHA, 1 gas, CH4 with alligator clip and 115 / 220 VAC charger	720.00
72-0304-MSHA-C	GX-2009 MSHA, 2 gas, CH4 / O2 with alligator clip and 115 / 220 VAC charger	745.00
72-0310-MSHA-C	GX-2009 MSHA, 3 gas, CH4 / O2 / H2S with alligator clip and 115 / 220 VAC charger	770.00
72-0311-MSHA-C	GX-2009 MSHA, 3 gas, CH4 / O2 / CO with alligator clip and 115 / 220 VAC charger	770.00
72-0314-MSHA-C	GX-2009 MSHA, 4 gas, CH4 / O2 / H2S / CO with alligator clip and 115 / 220 VAC charger	795.00



Instrument Price Includes

13-0112RK	Wrist strap
49-0115RK	115 / 220 VAC Adapter for charger, GX-6000/GX-2009/GX-2012/Gas Tracer/EAGLE 2/GX-8000 (charger unit not included)
49-1609RK	NiMH battery set with hardware for GX-2009, set of 2 batteries
49-2170RK	Charging station base only, BC-2009
71-8002RK	Product CD, GX-2009, includes Product Training, Parts List, Data Logging Program, User Setup Program, Operators Manual, and Quick Reference Card

GX-2009 MSHA With 12 VDC Charger & Vehicle Plug

Part#	Description	Suggested Retail
72-0300-MSHA-A	GX-2009 MSHA, 1 gas, CH4 with alligator clip, 12 VDC charger and vehicle plug	735.00
72-0304-MSHA-A	GX-2009 MSHA, 2 gas, CH4 / O2 with alligator clip, 12 VDC charger and vehicle plug	760.00
72-0310-MSHA-A	GX-2009 MSHA, 3 gas, CH4 / O2 / H2S with alligator clip, 12 VDC charger and vehicle plug	785.00
72-0311-MSHA-A	GX-2009 MSHA, 3 gas, CH4 / O2 / CO with alligator clip, 12 VDC charger and vehicle plug	785.00
72-0314-MSHA-A	GX-2009 MSHA, 4 gas, CH4 / O2 / H2S / CO with alligator clip, 12 VDC charger and vehicle plug	810.00



Instrument Price Includes

13-0112RK	Wrist strap
49-1609RK	NiMH battery set with hardware for GX-2009, set of 2 batteries
49-2020RK	12 VDC Adapter for charger with vehicle plug (charger base not included), GX-2009/GX-2012/Gas Tracer
49-2170RK	Charging station base only, BC-2009
71-8002RK	Product CD, GX-2009, includes Product Training, Parts List, Data Logging Program, User Setup Program, Operators Manual, and Quick Reference Card

GX-2009 MSHA Four Gas Personal Monitor (Charger Not Included)

Part#	Description	Suggested Retail
72-0300-MSHA	GX-2009 MSHA, 1 gas, CH4 with alligator clip, no charger	670.00
72-0304-MSHA	GX-2009 MSHA, 2 gas, CH4 / O2 with alligator clip, no charger	695.00
72-0310-MSHA	GX-2009 MSHA, 3 gas, CH4 / O2 / H2S with alligator clip, no charger	720.00
72-0311-MSHA	GX-2009 MSHA, 3 gas, CH4 / O2 / CO with alligator clip, no charger	720.00
72-0314-MSHA	GX-2009 MSHA, 4 gas, CH4 / O2 / H2S / CO with alligator clip, no charger	745.00



Instrument Price Includes

13-0112RK	Wrist strap
49-1609RK	NiMH battery set with hardware for GX-2009, set of 2 batteries
71-8002RK	Product CD, GX-2009, includes Product Training, Parts List, Data Logging Program, User Setup Program, Operators Manual, and Quick Reference Card

Premier Portable Instruments

GX-2009 Calibration Kits

Instrument #	Cal-Kit Part #	Cal-Kit Description	Price
72-0300RK 72-0300RKA	81-GX01CO	Cal kit, GX-2001/GX-2009, 103L cyl Methane/CO/O2, reg with gauge & knob, cal cap, case & tubing	395.00
72-0300RKC 72-0304RK 72-0304RKA 72-0304RKC 72-0306RK 72-0306RKA 72-0306RKC 72-0308RK 72-0308RKA 72-0308RKC 72-0311RK 72-0311RKA 72-0311RKC	81-GX01CO-LV	Cal kit, GX-2001/GX-2009, 34L cyl Methane/CO/O2, reg with gauge & knob, cal cap, case & tubing	270.00
72-0302RK 72-0302RKA 72-0302RKC	81-GX01HSO2-LV	Cal kit, GX-2001/GX-2009, 34AL cyl H2S/N2, reg with gauge & knob, cal cap, case & tubing	285.00
72-0305RK 72-0305RKA	81-GX01HSCO	Cal kit, GX-2001/GX-2009, 58AL cyl Methane/H2S/CO/O2, reg with gauge & knob, cal cap, case & tubing	440.00
72-0305RKC 72-0307RK 72-0307RKA 72-0307RKC 72-0309RK 72-0309RKA 72-0309RKC 72-0310RK 72-0310RKA 72-0310RKC 72-0312RK 72-0312RKA 72-0312RKC 72-0313RK 72-0313RKA 72-0313RKC 72-0314RK 72-0314RKA 72-0314RKC	81-GX01HSCO-LV	Cal kit, GX-2001/GX-2009, 34AL cyl Methane/H2S/CO/O2, reg with gauge & knob, cal cap, case & tubing	380.00
72-0307RK 72-0307RKA 72-0307RKC 72-0310RK 72-0310RKA 72-0310RKC 72-0312RK 72-0312RKA 72-0312RKC 72-0314RK 72-0314RKA 72-0314RKC	81-GX01HCOIB-LV	Cal kit, GX-2001/GX-2009, 34AL cyl Isobutane/H2S/CO/O2, reg with gauge & knob, cal cap, case & tubing	385.00

Premier Portable Instruments

SDM-2009 Calibration Station



ORDERING INFORMATION: When ordering an SDM-2009 calibration station, please specify the following components:

- 1) Select the docking station part number based on your calibration needs (calibration gas cylinder, regulator, or unit only).
- 2) Select any other calibration gas cylinder you may need.

<u>Part#</u>	<u>Description</u>	<u>Suggested Retail</u>
81-SDM2009-01	Single point calibration station for GX-2009, model SDM-2009 with AC Adaptor, flash drive, USB cable, tubing & installation CD	1,300.00
81-SDM2009-02	Single point calibration station for GX-2009, model SDM-2009 with AC Adaptor, flash drive, USB cable, tubing, installation CD, & demand flow regulator	1,580.00
81-SDM2009-03	Single point calibration station for GX-2009, model SDM-2009 with AC Adaptor, flash drive, USB cable, tubing, installation CD, demand flow regulator & 58AL cyl H2S (25 ppm)/CO/CH4/O2	1,820.00
81-SDM2009-06	Single point calibration station for GX-2009, model SDM-2009 with AC Adaptor, flash drive, USB cable, tubing, installation CD, demand flow regulator & 34AL cyl H2S (25 ppm)/CO/CH4/O2	1,745.00

SDM-2009 Calibration Gases & Equipment

<u>Part#</u>	<u>Description</u>	<u>Suggested Retail</u>
33-0167RK	Filter, particulate, CF-8369	25.00
49-2058RK-04	AC adapter 4 port charger for SDM-2009, SDM-2012, and SDM-03	88.00
81-0012RK-01	Cylinder, Methane, 50% LEL in Air, 34L	55.00
81-0018RK-01	Cylinder, isobutane 50% LEL in Air, 34L	55.00
81-0090RK-01	Cylinder, CO 50 ppm / Methane 50% LEL / O2 12 % in N2, 34L	55.00
81-0090RK-03	Cylinder, CO 50 ppm / Methane 50% LEL / O2 12 % in N2, 103L	195.00
81-0154RK-02	Cylinder, H2S 25 ppm / CO 50 ppm / CH4 50% LEL / O2 12% in N2, 58AL	240.00
81-0154RK-04	Cylinder, H2S 25 ppm / CO 50 ppm / CH4 50% LEL / O2 12% in N2, 34AL	165.00
81-0154RK-116	Cylinder, H2S 25 ppm / CO 50 ppm / CH4 50% LEL / O2 12% in N2, 116AL	340.00
81-0155RK-02	Cylinder, H2S 25 ppm / CO 50 ppm / HEX 15% LEL / O2 12% in N2, 58AL	245.00
81-0155RK-04	Cylinder, H2S 25 ppm / CO 50 ppm / HEX 15% LEL / O2 12% in N2, 34AL	275.00
81-0158RK-02	Cylinder, H2S 25 ppm / CO 50 ppm / isobutane 50% LEL / O2 12% in N2, 58AL	245.00
81-0158RK-04	Cylinder, H2S 25 ppm / CO 50 ppm / isobutane 50% LEL / O2 12% in N2, 34AL	170.00
81-1054RK	Regulator, demand flow for 34AL/58AL/103L	280.00
81-1055RK	Regulator, demand flow for 17L/34L steel cylinders.....	280.00
82-6002	PC Controller with ethernet networking kit for SDM-2009, SDM-2012, and SDM-03 calibrations stations, 11.5 inch screen 64 bit Windows 7 Professional pc with SDM PC Controller software installed and 6' ethernet cable	795.00
82-6050RK	USB Hub, 4 port 2.0 for SDM-2012	72.00
82-6051RK	USB Hub, 7 port 2.0 for SDM-2012	90.00
82-6105RK	USB flash drive, 1 GB, for calibration stations	30.00

Premier Portable Instruments

GX-2009 Instrument Bundles (Instrument & Charger Included)

115 VAC Versions

<u>Part#</u>	<u>Description</u>	<u>Suggested Retail</u>
72-0314RKC-50	Confined space kit including a GX-2009 with 115 VAC charger, screwdriver, and small padded case	745.00
72-0314RKC-51	Confined space kit including a GX-2009 with 115 VAC charger, screwdriver, padded case, hand aspirator assembly with 10' hose, and probe	855.00
72-0314RKC-52	Confined space kit including a GX-2009 with 115 VAC charger, hand aspirator assembly with 10' hose, probe, 34AL cyl H2S (25 ppm)/CO/O2/CH4, reg with gauge & knob, screwdriver, padded case, calibration cap, and cal tubing	1,265.00
72-0314RKC-56	Confined space kit including a GX-2009 with 115 VAC charger, calibration cap, 34AL cyl H2S (25 ppm)/CO/O2/CH4, reg with gauge & knob, screwdriver, padded case, and cal tubing	1,170.00
72-0314RKC-58	Confined space kit including a GX-2009 with 115 VAC charger, RP-2009, screwdriver, and padded case	1,180.00
72-0314RKC-59	Confined space kit including a GX-2009 with 115 VAC charger, RP-2009, calibration cap, 34AL cyl H2S (25 ppm)/CO/O2/CH4, reg with gauge & knob, screwdriver, padded case, and cal tubing	1,590.00



12 VDC Versions

<u>Part#</u>	<u>Description</u>	<u>Suggested Retail</u>
72-0314RKA-50	Confined space kit including a GX-2009 with 12 VDC charger, and small padded case	750.00
72-0314RKA-51	Confined space kit including a GX-2009 with 12 VDC charger, padded case, hand aspirator assembly with 10' hose, and probe	855.00
72-0314RKA-52	Confined space kit including a GX-2009 with 12 VDC charger, hand aspirator assembly with 10' hose, probe, 34AL cyl H2S/CO/O2/CH4, reg with gauge & knob, padded case, calibration cap, and cal tubing	1,205.00
72-0314RKA-56	Confined space kit including a GX-2009 with 12 VDC charger and vehicle plug, calibration cap, 34AL cyl H2S (25 ppm)/CO/O2/CH4, reg with gauge & knob, screwdriver, padded case, and cal tubing	1,110.00
72-0314RKA-58	Confined space kit including a GX-2009 with 12 VDC charger and vehicle plug, RP-2009, screwdriver, and padded case	1,055.00
72-0314RKA-59	Confined space kit including a GX-2009 with 12 VDC charger and vehicle plug, RP-2009, calibration cap, 34AL cyl H2S (25 ppm)/CO/O2/CH4, reg with gauge & knob, screw driver, padded case, and cal tubing	1,475.00

GX-2009 Accessory Bundles (Instrument & Charger Not Included)

GX-2009 Accessory Bundles include padded carrying case, and either a hand aspirator or a battery operated pump.
Instrument and charger sold separately.

Hand aspirator sample kit

<u>Part#</u>	<u>Description</u>	<u>Suggested Retail</u>
81-2100RK	Confined space kit includes padded case, hand aspirator assembly with 10' hose, and probe (instrument and charger sold separately)	150.00
81-2123RK	Confined space kit with hand aspirator assembly with 10' hose, probe, 34AL H2S (25 ppm)/CO/O2/CH4, reg, padded case, calibration cap, and cal tubing (instrument and charger sold separately)	560.00

RP-2009 sample pump kit for GX-2009

<u>Part#</u>	<u>Description</u>	<u>Suggested Retail</u>
81-2120RKA	Confined space kit includes padded case, RP-2009 pump, 10' hose, and probe (instrument and charger sold separately)	480.00
81-2124RKA	Confined space kit with RP-2009 pump, 10' hose, probe, calibration cap, 34AL H2S (25 ppm)/CO/O2/CH4, reg, padded case, and cal tubing (instrument and charger sold separately)	800.00

Premier Portable Instruments

GX-2009 Accessories & Replacement Parts

Part#	Description	Suggested Retail
07-6017RK	Gasket for GX-2009 case, one each	2.50
07-6018RK	Gasket for buzzer hole, GX-2009	6.00
07-6019RK	Sensor chamber gasket for sensor retainer, GX-2009, 1 each	7.00
07-6021RK	Gasket, sensor retainer, 1 each	2.00
10-1098RK	Screw with split lock and flat washers for alligator or belt clip, GX-2009, 1 each	0.25
10-1104RK	Screw for case or sensor retainer, M2 x 10 mm, GX-2001 or GX-2009, 1 each	0.25
13-0112RK	Wrist strap	4.00
13-0116RK	Alligator clip, GX-2009	28.00
13-0117RK	Belt clip, GX-2009, includes 3 installation screws	20.00
15-0523RK	Battery charger spring contacts for GX-2009 charger, BC-2009	2.00
20-0112RK-01	Padded carrying case for GX-2001 or GX-2009 and accessories	62.00
20-0112RK-02	Padded carrying case for GX-2001 or GX-2009, aspirator, and cal kit.	160.00
20-0115RK-01	Padded carrying case for one GX-2009 or 03 series instrument and charger only	48.00
20-0320RK	Carrying case, camera style for GX-2009, GX-2012, Gas Tracer, GX-2001, or GX-2003 (with logo)	25.00
20-0324RK	Protective cover for GX-2009, vinyl	34.00
21-1880RK	Front case, GX-2009	52.00
21-1881RK	Case, rear, GX-2009	85.00
21-1882RK	Sensor retainer, GX-2009 (inner piece)	28.00
21-1883RK	Sensor case with PCB assembly, GX-2009	70.00
21-1884RK	Sensor cover, GX-2009 (outside piece)	10.00
21-1885RK	Sensor cap assembly, GX-2009 (8 parts)	66.00
24-5000RK	Flexible printed circuit (FPC), GX-2009	18.00
30-1054RK	Vibration motor for the GX-2009 and GX-6000	32.00
33-0172-100	Sensor Cover, water proof, sheet for 4 sensors, GX-2009, pack of 100 sheets	300.00
33-0172RK	Sensor Cover, water proof, sheet for 4 sensors, GX-2009, 1 each	6.00
33-1113RK	Metal mesh filter for buzzer hole, GX-2009, 1 each	6.00
33-7009	Silicone scrubber disk, 5 pack for GX-2009	10.00
33-7102RK	Filter, charcoal, for CO sensor, pack of 5, GX-2009/GX-2012/Gas Tracer/GX-6000	10.00
33-7114RK	Filter disk, H2S scrubber, strip of 5, for LEL sensor port, GP-01/GX-2001/GX-2009/GX-2012/Gas Tracer/GX-6000	10.00
33-7117RK-01	Filter set for 1 instrument, 1 charcoal disk & 1 H2S scrubber, GX-2009	14.00
33-7117RK-05	Filter set for 5 instruments, 5 charcoal disk & 5 H2S scrubbers, GX-2009	60.00
45-2430RK	Plug adapter for charger, US to Euro, non-grounded	3.60
46-3070RK	Connector for combining 2 charger bases (required to join chargers), BC-2009	14.00
47-5084RK-01	Downloading cable, USB / IrDA adapter, Windows XP, Windows 7, & Windows 8 compatible (Not needed if computer has built-in IR port)	220.00
49-0115RK	115 / 220 VAC Adapter for charger, GX-6000/GX-2009/GX-2012/Gas Tracer/EAGLE 2/GX-8000 (charger unit not included)	20.00
49-1050RK	Battery, memory backup, silver oxide, SR 616, 1.55 volts, GX-2009 and GX-6000	10.00
49-1609RK	NIMH battery set with hardware for GX-2009, set of 2 batteries	80.00
49-2020RK	12 VDC Adapter for charger with vehicle plug (charger base not included), GX-2009/GX-2012/Gas Tracer	24.00
49-2058RK-04	AC adapter 4 port charger for SDM-2009, SDM-2012, and SDM-03	88.00
49-2170RK	Charging station base only, BC-2009	75.00
49-2170RK-01	Charging station with 115 / 220 VAC power supply for single instrument, GX-2009	85.00
49-2170RK-02	Charging station with 115 / 220 VAC power supply for two instruments, GX-2009	160.00
49-2170RK-03	Charging station with 115 / 220 VAC power supply for three instruments, GX-2009	235.00
49-2170RK-04	Charging station with 115 / 220 VAC power supply for four instruments, GX-2009	310.00
49-2170RK-05	Charging station with 115 / 220 VAC power supply for five instruments, GX-2009	385.00
49-2171RK	Charging station with 12 VDC adapter and vehicle adaptor plug for GX-2009 (single unit)	90.00
51-1119RK	LCD module assembly with flat cable for GX-2009	30.00
57-2052RK	PCB main assembly, GX-2009	250.00
65-7001RK	Dummy sensor for GX-2009, GX-2012, or GX-6000 empty sensor slots (LEL, O2, H2S, & CO)	5.00
71-8002RK	Product CD, GX-2009, includes Product Training, Parts List, Data Logging Program, User Setup Program, Operators Manual, and Quick Reference Card	0.00
81-0090RK-01	Cylinder, CO 50 ppm / Methane 50% LEL / O2 12 % in N2, 34L	55.00
81-0090RK-03	Cylinder, CO 50 ppm / Methane 50% LEL / O2 12 % in N2, 103L	195.00
81-0154RK-02	Cylinder, H2S 25 ppm / CO 50 ppm / CH4 50% LEL / O2 12% in N2, 58AL	240.00
81-0154RK-04	Cylinder, H2S 25 ppm / CO 50 ppm / CH4 50% LEL / O2 12% in N2, 34AL	165.00



Premier Portable Instruments

GX-2009 Accessories & Replacement Parts

Part#	Description	Suggested Retail
81-0154RK-06-10	Bump test cylinder, H2S 40 ppm / CO 100 ppm / Methane 50% LEL / O2 12% in N2, 11AL aerosol, with balloon and cal cup for GX-2009	70.00
81-0154RK-116	Cylinder, H2S 25 ppm / CO 50 ppm / CH4 50% LEL / O2 12% in N2, 116AL.....	340.00
81-1050RK	Regulator, with gauge & knob, 17/34L, 0.5 LPM	125.00
81-1051RK	Regulator, with gauge & knob, 34AL/58AL/103L, 0.5 LPM	125.00
81-1106RK	Sample adaptor for GX-2001 or GX-2009, rigid plastic, used with RP-6	26.00
81-1107RK	Calibration cap for GX-2001 and GX-2009.....	15.00
81-1160RK	Hand aspirated sampler, with 10' hose and probe, GX-2001 or GX-2009	95.00
81-1160RK-20	Hand aspirated sampler, with 20' hose and probe, GX-2001 or GX-2009	97.00

Premier Portable Instruments

RP-2009 Sample Drawing Pump For GX-2009

All pumps include a 4" rubber nipple for sampling and attach onto the GX-2009. Some versions also include a 10' hose (30' max), and a probe for remote sampling. All RP-2009 pumps include built in dust and hydrophobic filters, and one "AA" alkaline battery.

Note: Not available for sale in Canada.



<u>Part#</u>	<u>Description</u>	<u>Suggested Retail</u>
81-1176RK	RP-2009 pump with 4" rubber nipple for GX-2009 or GX-2001	360.00
81-1177RK	RP-2009 pump with 4" rubber nipple, 10' hose and probe for GX-2009 or GX-2001	420.00
81-1177RK-20	RP-2009 pump with 4" rubber nipple, 20' hose and probe for GX-2009 or GX-2001	425.00

RP-2009 Accessories & Replacement Parts

<u>Part#</u>	<u>Description</u>	<u>Suggested Retail</u>
07-2005RK	Gasket, filter/screen retaining, RP-2009/RP-6/GX-2003/GX-2012/Gas Tracer	15.00
07-2017RK	Housing gasket for sensor chamber, RP-2009	5.00
07-6000RK	O-ring for inlet fitting of RP-2009/RP-6/GX-2003/GX-2012/Gas Tracer	1.00
07-6027RK	O-ring, battery compartment sealing, RP-2009	1.25
10-1093RK	Screw M2 x 6	0.50
10-1100RK	Screw, 0 x 4.5 mm, flat head phillips, self tapping, stainless steel, GX-2001	0.40
11-5090RK	Washer, flat, 2.2 mm x 4.3 mm x 0.3 mm, for sensor adapter retaining, RP-2009	3.00
15-0522RK	Batter contact spring, battery cap, RP-2009	7.50
17-1000RK	Inlet fitting (also needs o-ring 07-6000RK)	8.80
17-1001RK	Tapered rubber inlet nozzle, 4", RP-2009/RP-6/GX-2003/GX-2012/Gas Tracer	8.00
21-1833RK	Filter holder, clear plastic, RP-2009/GX-2003/GX-2012/Gas Tracer/GX-6000	7.50
21-1895RK	Battery cap for RP-2009 pump	10.00
21-1896RK	Main case assembly, RP-2009	50.00
21-1897RK	Top case assembly, RP-2009	10.00
21-1898RK	Sensor adapter assembly for sensor chamber, RP-2009	10.00
29-0648RK	Label, control panel, RP-2009	7.50
30-0022RK	Pump replacement for GX-2012/Gas Tracer/RP-2009/GX-6000/FP-31/NC-1000, with cable and connector	140.00
33-0159RK	Teflon filter disc, 10 pieces, RP-2009/RP-6/GX-2003/GX-2012/Gas Tracer/GX-6000/NC-1000	24.00
33-1031RK	Cotton balls, filters for probe, bag of 25	4.00
33-1112RK	Wire mesh disk filter, RP-2009/RP-6/GX-2003/GX-2012/Gas Tracer/GX-6000, 10 pack	15.00
49-1120RK	Size AA alkaline battery	1.20
80-0009RK-10	Hose, 10', polyurethane, GX-2012/Gas Tracer/GX-20003/RP-2009	36.00
80-0009RK-15	Hose, 15', polyurethane, GX-2012/Gas Tracer/GX-20003/RP-2009	38.00
80-0009RK-20	Hose, 20', polyurethane, GX-2012/Gas Tracer/GX-20003/RP-2009	40.00
80-0009RK-25	Hose, 25', polyurethane, GX-2012/Gas Tracer/GX-20003/RP-2009	42.00
80-0009RK-30	Hose, 30', polyurethane, GX-2012/Gas Tracer/GX-20003/RP-2009	46.00
80-0150RK	Probe assembly, 10", with cotton ball filter	25.00
80-0404RK	Dilution fitting, 50:50 for GX-2003/-2012/Gas Tracer/RP-2009/RP-6	95.00

RP-2009 sample pump kit for GX-2009

<u>Part#</u>	<u>Description</u>	<u>Suggested Retail</u>
81-2120RKA	Confined space kit includes padded case, RP-2009 pump, 10' hose, and probe (instrument and charger sold separately)	455.00
81-2124RKA	Confined space kit with RP-2009 pump, 10' hose, probe, calibration cap, 34AL H2S (25 ppm)/CO/O2/CH4, reg, padded case, and cal tubing (instrument and charger sold separately)	800.00

Premier Portable Instruments

Premier Portable Instruments

GX-2012 Five Sensor Sample Draw Confined Space Monitor

Combustibles (CH4 Standard)	% Volume CH4	O2	H2S	CO
Catalytic combustion	Thermal Conductivity	Galvanic Cell	Electrochemical Cell	
0 ~ 100% LEL	0 ~ 100% Vol.	0 ~ 40% Vol.	0 ~ 100 ppm	0 ~ 500 ppm



Part Number Structure

Gas Configuration **Battery Option**
72-0290- **XX** - **Y**

Step 1 - Choose Base Model

Part#	Description	Suggested Retail
72-0290-01-__	GX-2012, 1 sensor, LEL base, choose battery option	845.00
72-0290-02-__	GX-2012, 1 sensor, O2 base, choose battery option	845.00
72-0290-03-__	GX-2012, 1 sensor, H2S base, choose battery option	845.00
72-0290-04-__	GX-2012, 1 sensor, CO base, choose battery option	845.00
72-0290-08-__	GX-2012, 2 sensor, LEL / O2 base, choose battery option.....	895.00
72-0290-09-__	GX-2012, 2 sensor, LEL / H2S base, choose battery option	895.00
72-0290-10-__	GX-2012, 2 sensor, LEL / CO base, choose battery option	895.00
72-0290-11-__	GX-2012, 2 sensor, LEL / % volume CH4 base, choose battery option.....	945.00
72-0290-12-__	GX-2012, 2 sensor, O2 / CO base, choose battery option	895.00
72-0290-16-__	GX-2012, 3 sensor, LEL / O2 / H2S base, choose battery option	945.00
72-0290-17-__	GX-2012, 3 sensor, LEL / O2 / CO base, choose battery option	945.00
72-0290-18-__	GX-2012, 3 sensor, LEL / % volume CH4 / O2 base, choose battery option	995.00
72-0290-19-__	GX-2012, 3 sensor, LEL / % volume CH4 / CO base, choose battery option.....	995.00
72-0290-22-__	GX-2012, 4 sensor, LEL / O2 / H2S / CO base, choose battery option	995.00
72-0290-23-__	GX-2012, 4 sensor, LEL / % volume CH4 / O2 / CO base, choose battery option.....	1,045.00
72-0290-24-__	GX-2012, 4 sensor, LEL / % volume CH4 / O2 / H2S base, choose battery option	1,045.00
72-0290-27-__	GX-2012, 5 sensor, LEL / % volume CH4 / O2 / H2S / CO base, choose battery option	1,095.00

Step 2 - Choose Battery Option

Add Battery Option letter below to the end of the Base Model part # and add price to the Base Model price.

A	Alkaline battery pack only	0.00
B	Alkaline and Li-Ion battery packs with 100-240 VAC Charger	260.00
C	Li-Ion battery pack only with 100-240 VAC charger (Alkaline battery pack not included)	200.00
D	Li-Ion battery pack only with 12 VDC charger (Alkaline battery pack not included)	200.00
E	Alkaline and Li-Ion battery packs with 12 VDC Charger	260.00
F	Li-Ion battery pack only with 100-240 VAC / 12 VDC Charger (Alkaline battery pack not included)	220.00
G	Alkaline and Li-Ion battery packs with 100-240 VAC / 12 VDC charger.....	280.00
H	Li-Ion battery pack only with no charger	150.00

Example: 72-0290-22-C is GX-2012, 4 sensors, LEL / O2 / H2S / CO, with 100-240 VAC charger and Li-Ion battery pack
(Alkaline battery pack is not included with this example)

Part#	Description	Suggested Retail
72-0290-22-C	GX-2012, 4 sensors, LEL / O2 / H2S / CO, with 100-240 VAC charger and Li-Ion battery pack.....	1,195.00

Instrument Price Includes

10' hose, probe, Operators Manual, and Product CD (contains Training Video, Parts List, Data logging software, Operators Manual, and Quick Reference Card). The battery and charger (if applicable) option selected above is also included.

Premier Portable Instruments

GX-2012 Replacement Sensors

<u>Part#</u>	<u>Description</u>	<u>Suggested Retail</u>
ES-1821	Sensor, Carbon Monoxide (CO) for GX-2009/GX-2012/GX-6000/CO-03/GasWatch 2/Gas Tracer	140.00
ES-1827i	Sensor, Hydrogen Sulfide (H2S) for GX-2009/GX-2012/GX-6000/HS-03/GasWatch 2	140.00
NC-6264A	Sensor, LEL, for GX-2009/GX-2012/GX-6000/GP-03/Gas Tracer	120.00
OS-BM2	Sensor, Oxygen (O2) for GX-2009/GX-2012/GX-6000/GasWatch 2/OX-03/Gas Tracer.....	120.00
TE-7561	Sensor, TC, % volume, GX-2003/GX-2012/Gas Tracer	160.00
NC-6264AZX	Sensor, LEL, silicone resistant, for GX-2009/GX-2012/GX-6000/GX-2001/GX-2003/Gas Tracer/GP-01	130.00

GX-2012 Calibration Kits

<u>Instrument #</u>	<u>Cal-Kit Part #</u>	<u>Cal-Kit Description</u>	<u>Price</u>
72-0290-08	81-GX03CO	Cal kit, GX-2003/GX-2012, 103L cyl CO/CH4/O2 in N2, dem flow reg, case & tubing	535.00
72-0290-10	81-GX03CO-DLV	Cal kit, GX-2003/GX-2012, 34L cyl CO/CH4/O2, dem flow reg, case & tubing	410.00
72-0290-12	81-GX03CO-LV	Cal kit, GX-2003/GX-2012, 34L cyl CO/CH4/O2 in N2, dispensing valve, gas bag, case & tubing	185.00
72-0290-17	81-GX03CO-LV	Cal kit, GX-2003/GX-2012, 34L cyl CO/CH4/O2 in N2, dispensing valve, gas bag, case & tubing	185.00
72-0290-09	81-GX03HSCO	Cal kit, GX-2003/GX-2012, 58AL cyl H2S (25 ppm)/CO/CH4/O2, dem flow reg, case & tubing	580.00
72-0290-16	81-GX03HSCO-DLV	Cal kit, GX-2003/GX-2012, 34AL cyl H2S (25 ppm)/CO/CH4/O2, dem flow reg, case & tubing	520.00
72-0290-22	81-GX03HSCO-LV	Cal kit, GX-2003/GX-2012, 34AL cyl H2S (25 ppm)/CO/CH4/O2, reg with gauge & knob, gas bag, case & tubing	395.00
72-0290-11	81-GX12VCO-DLV	Cal kit, GX-2012, 34L cyl CO/CH4/O2, 34L 50% vol CH4, dem flow reg, case & tubing	465.00
72-0290-18	81-GX12VCO-DLV	Cal kit, GX-2012, 34L cyl CO/CH4/O2, 34L 50% vol CH4, dem flow reg, case & tubing	465.00
72-0290-19	81-GX12VCO-DLV	Cal kit, GX-2012, 34L cyl CO/CH4/O2, 34L 50% vol CH4, dem flow reg, case & tubing	465.00
72-0290-23	81-GX12VCO-DLV	Cal kit, GX-2012, 34L cyl CO/CH4/O2, 34L 50% vol CH4, dem flow reg, case & tubing	465.00
72-0290-24	81-GX03VHSCO	Cal kit, GX-2003/GX-2012, 58AL cyl H2S (25 ppm)/CO/CH4/O2, 58L 100% vol. CH4, dem flow reg, case & tubing	720.00
72-0290-27	81-GX03VHSCO-LV	Cal kit, GX-2003/GX-2012, 34AL cyl H2S (25 ppm)/CO/CH4/O2, 58L cyl 100% vol. CH4, reg with gauge & knob, disp valve, gas bag, case & tubing	535.00
72-0290-27	81-GX03VHSCODLV	Cal kit, GX-2003/GX-2012, 34AL cyl H2S (25 ppm)/CO/CH4/O2, 58L cyl 100% vol. CH4, dem flow reg, case & tubing	660.00

Premier Portable Instruments

GX-2012 Instrument Bundles (Instrument Included)

Part#	Description	Suggested Retail
72-0290-22-A-50	GX-2012 bundle, 4 sensors, LEL / O2 / H2S / CO unit with alkaline battery pack, and padded case	1,105.00
72-0290-22-A-51	GX-2012 bundle, 4 sensors, LEL / O2 / H2S / CO unit with alkaline battery pack, 34AL cyl H2S/CO/O2/CH4, demand flow regulator, tubing and padded case	1,615.00
72-0290-22-C-50	GX-2012 bundle, 4 sensors, LEL / O2 / H2S / CO unit with Li-Ion battery pack and 115 VAC charger, and padded case	1,305.00
72-0290-22-C-51	GX-2012 bundle, 4 sensors, LEL / O2 / H2S / CO unit with Li-Ion battery pack and 115 VAC charger, 34AL cyl H2S/CO/O2/CH4, demand flow regulator, tubing and padded case	1,815.00
72-0290-27-A-51	GX-2012 bundle, 5 sensors, % volume CH4 / LEL / O2 / H2S / CO unit with alkaline battery pack, 34AL cyl H2S/CO/O2/CH4, 58L cyl 100% vol CH4, demand flow regulator, tubing and padded case	1,855.00
72-0290-27-C-51	GX-2012 bundle, 5 sensors, % volume CH4 / LEL / O2 / H2S / CO unit with Li-Ion battery pack and 115 VAC charger, 34AL cyl H2S/CO/O2/CH4, 58L cyl 100% vol CH4, demand flow regulator, tubing and padded case	2,055.00
72-0292-22-A-50	GX-2012 CSA bundle, 4 sensors, LEL / O2 / H2S / CO unit with alkaline battery pack, and padded case	1,095.00
72-0292-22-A-51	GX-2012 CSA bundle, 4 sensors, LEL / O2 / H2S / CO unit with alkaline battery pack, 34AL cyl H2S/CO/O2/CH4, demand flow regulator, tubing and padded case	1,520.00



72-0290-22-C-51

Premier Portable Instruments

SDM-2012 Calibration Station

ORDERING INFORMATION: When ordering an SDM-2012 calibration station, please specify the following components:

- 1) Select the docking station part number based on your calibration needs (calibration gas cylinder, regulator, or unit only).
- 2) Select any other calibration gas cylinder you may need.



SDM-2012

Part#	Description	Suggested Retail
81-SDM2012-01	Single point calibration station for GX-2012 and Gas Tracer, model SDM-2012 with AC Adaptor, flash drive, USB cable, tubing & installation CD	1,300.00
81-SDM2012-02	Single point calibration station for GX-2012 and Gas Tracer, model SDM-2012 with AC Adaptor, flash drive, USB cable, tubing, installation CD & demand flow regulator	1,580.00
81-SDM2012-03	Single point calibration station for GX-2012, model SDM-2012 with AC Adaptor, flash drive, USB cable, tubing, installation CD, demand flow regulator & 58AL cyl H2S (25 ppm)/CO/CH4/O2	1,820.00
81-SDM2012-04	Single point calibration station for GX-2012, model SDM-2012 with AC Adaptor, flash drive, USB cable, tubing, installation CD, demand flow regulator, 58AL cyl H2S (25 ppm)/CO/CH4/O2 & 58L steel cyl Methane 100% volume	1,960.00
81-SDM2012-05	Single point calibration station for GX-2012, model SDM-2012 with AC Adaptor, flash drive, USB cable, tubing, installation CD, two demand flow regulators, 58AL cyl H2S (25 ppm)/CO/CH4/O2 & 58L steel cyl Methane 100% volume	2,240.00

SDM-2009 Calibration Gases & Equipment

Part#	Description	Suggested Retail
32-0031RK-01	Valve with hose barbs and sample tube for two cylinders to connect to a single calibration station gas port	110.00
33-0167RK	Filter, particulate, CF-8369	25.00
49-2058RK-04	AC adapter 4 port charger for SDM-2009, SDM-2012, and SDM-03	88.00
81-0016RK-05	Cylinder, Methane 100% volume, 58L steel	140.00
81-0090RK-01	Cylinder, CO 50 ppm / Methane 50% LEL / O2 12 % in N2, 34L	55.00
81-0090RK-03	Cylinder, CO 50 ppm / Methane 50% LEL / O2 12 % in N2, 103L	195.00
81-0154RK-02	Cylinder, H2S 25 ppm / CO 50 ppm / CH4 50% LEL / O2 12% in N2, 58AL	240.00
81-0154RK-04	Cylinder, H2S 25 ppm / CO 50 ppm / CH4 50% LEL / O2 12% in N2, 34AL	165.00
81-0154RK-116	Cylinder, H2S 25 ppm / CO 50 ppm / CH4 50% LEL / O2 12% in N2, 116AL	340.00
81-1054RK	Regulator, demand flow for 34AL/58AL/103L	280.00
82-6002	PC Controller with ethernet networking kit for SDM-2009, SDM-2012, and SDM-03 calibrations stations, 11.5 inch screen 64 bit Windows 7 Professional pc with SDM PC Controller software installed and 6' ethernet cable	795.00
82-6050RK	USB Hub, 4 port 2.0 for SDM-2012	72.00
82-6051RK	USB Hub, 7 port 2.0 for SDM-2012	90.00
82-6105RK	USB flash drive, 1 GB, for calibration stations	30.00

Premier Portable Instruments

GX-2012 Replacement Parts & Accessories

Part#	Description	Suggested Retail
06-1248RK-03	Calibration Tubing, polyurethane, 3/16 OD x 5/16 ID, 3'	4.50
07-2005RK	Gasket, filter/screen retaining, RP-2009/RP-6/GX-2003/GX-2012/Gas Tracer	15.00
07-6000RK	O-ring for inlet fitting of RP-2009/RP-6/GX-2003/GX-2012/Gas Tracer	1.00
07-6024RK	Battery pack gasket, GX-2012 / Gas Tracer	14.00
07-6025RK	Main case gasket, GX-2012 / Gas Tracer	6.00
07-6026RK	Sensor gasket, GX-2012 / Gas Tracer	6.00
10-1092RK	Truss screw M2 x 5	0.40
10-1093RK	Screw M2 x 6	0.50
13-0112RK	Wrist strap	4.00
13-0118RK	Belt clip, GX-2012 / Gas Tracer	24.00
17-1000RK	Inlet fitting (also needs o-ring 07-6000RK)	8.80
17-1001RK	Tapered rubber inlet nozzle, 4", RP-2009/RP-6/GX-2003/GX-2012/Gas Tracer.....	8.00
17-4430RK-01	Bypass tee probe w/GX-7 quick disconnect,for GX-2003 / GX-2012/Gas Tracer purge sampling	20.00
20-0110RK-01	Case for 1-3 cylinders,17/34L/34AL, with foam.....	75.00
20-0112RK-03	Case with foam, for GX-2003 with accessories & cal kit with one cylinder	110.00
20-0114RK-01	Case with foam, for GX-2003 with accessories & cal kit with 2 cylinders	175.00
21-1833RK	Filter holder, clear plastic, RP-2009/GX-2003/GX-2012/Gas Tracer/GX-6000	7.50
21-1889RK	Main case assembly, GX-2012	150.00
21-1890RK	Top cover assembly, GX-2012/Gas Tracer	76.00
21-1892RK	Sensor cap assembly, GX-2012/Gas Tracer	76.00
30-0022RK	Pump replacement for GX-2012/Gas Tracer/RP-2009/GX-6000/FP-31/NC-1000, with cable and connector	140.00
30-1053RK	Vibration motor, GX-2003/GX-2012/Gas Tracer.....	32.00
33-0159RK	Teflon filter disc, 10 pieces, RP-2009/RP-6/GX-2003/GX-2012/Gas Tracer/GX-6000/NC-1000	24.00
33-1031RK	Cotton balls, filters for probe, bag of 25	4.00
33-1036RK	Filter body, plastic, for 80-0150RK probe	6.00
33-1112RK	Wire mesh disk filter, RP-2009/RP-6/GX-2003/GX-2012/Gas Tracer/GX-6000, 10 pack	15.00
33-7102RK	Filter, charcoal, for CO sensor, pack of 5, GX-2009/GX-2012/Gas Tracer/GX-6000	10.00
33-7114RK	Filter disk, H2S scrubber, strip of 5, for LEL sensor port, GP-01/GX-2001/GX-2009/GX-2012/Gas Tracer/ GX-6000	10.00
45-2430RK	Plug adapter for charger, US to Euro, non-grounded	3.60
47-5084RK-01	Downloading cable, USB / IrDA adapter, Windows XP, Windows 7, & Windows 8 compatible (Not needed if computer has built-in IR port)	220.00
49-0115RK	115 / 220 VAC Adapter for charger, GX-6000/GX-2009/GX-2012/Gas Tracer/EAGLE 2/GX-8000.....	20.00
49-1120RK	Size AA alkaline battery	1.20
49-1320RK	Battery, NiMH, AA	4.00
49-1406RK	Battery, lithium, CR 1220, for main PCB for GX-2012, Gas Tracer, GP-1000, & NC-1000	4.40
49-1615RK	Battery pack, lithium ion, GX-2012 / Gas Tracer	175.00
49-1616RK	Alkaline Battery pack without batteries with gasket, GX-2012 / Gas Tracer	100.00
49-1616RK-01	Alkaline Battery pack cover with gasket, GX-2012 / Gas Tracer	30.00
49-2020RK	12 VDC Adapter for charger with vehicle plug (charger base not included), GX-2009/GX-2012/Gas Tracer	24.00
49-2058RK-04	AC adapter 4 port charger for SDM-2009, SDM-2012, and SDM-03.....	88.00
49-2180RK	Charging station only, for Li-Ion battery pack, no AC adapter for GX-2012/Gas Tracer	70.00
49-2180RK-01	Charging station with AC adapter, for Li-Ion battery pack, 110/115/220 VAC, for GX-2012/Gas Tracer	85.00
49-2181RK	Charging station with 12 VDC vehicle plug adapter for Li-Ion battery pack, for GX-2012/Gas Tracer	90.00
49-3105RK	Charger, NiMH, charges four AA or AAA size with A/C adapter and DC vehicle plug	36.00
49-3106RK	Charger, NiMH, charges twelve AAA size with A/C adapter and DC vehicle plug	72.00
51-1125RK	LCD display, GX-2012 / Gas Tracer	60.00
57-2041RK	Sensor PC board assembly, GX-2012	88.00
57-2043RK	CPU PC board assembly, GX-2012	640.00
71-0239RK	GX-2012 CSA Operator's Manual	0.00
71-0245RK	GX-2012 Data Logger Management Program Operator's Manual	0.00
71-8004RK	Product CD, GX-2012, includes data downloading software, operators manual, training video, spare parts list, and quick reference card	0.00
71-8007RK	Product CD, SDM-GX includes data viewing software, operators manual for SDM-GX2009 and SDM-GX2012	0.00
80-0009RK-10	Hose, 10', polyurethane, GX-2012/Gas Tracer/GX-20003/RP-2009	36.00
80-0009RK-15	Hose, 15', polyurethane, GX-2012/Gas Tracer/GX-20003/RP-2009	38.00
80-0009RK-20	Hose, 20', polyurethane, GX-2012/Gas Tracer/GX-20003/RP-2009	40.00
80-0009RK-25	Hose, 25', polyurethane, GX-2012/Gas Tracer/GX-20003/RP-2009	42.00
80-0009RK-30	Hose, 30', polyurethane, GX-2012/Gas Tracer/GX-20003/RP-2009	46.00

Premier Portable Instruments

GX-2012 Replacement Parts & Accessories

Part#	Description	Suggested Retail
80-0009RK-40	Hose, 40', polyurethane, GX-2012/Gas Tracer/GX-20003/RP-2009	54.00
80-0009RK-50	Hose, 50', polyurethane, GX-2012/Gas Tracer/GX-20003/RP-2009	72.00
80-0009RK-75	Hose, 75', polyurethane, GX-2012/Gas Tracer/GX-20003/RP-2009	86.00
80-0009RK-99	Hose, 100', polyurethane, RKI style, GX-2012/Gas Tracer/GX-20003/RP-2009	98.00
80-0101RK	Hose with floating head, 8 meters (25 feet), with GX-/RX- series	98.00
80-0138RK	Stainless steel probe, 4 feet with filter for GX-2012	125.00
80-0140RK	Extendible probe, 32" (collapsible), fiberglass with filter for GX-2003/GX-2012/Gas Tracer	84.00
80-0144RK	Extendible probe, 7' (collapsible to 2'), fiberglass with filter for GX-2003/GX-2012/Gas Tracer	88.00
80-0150RK	Probe assembly, 10", with cotton ball filter	25.00
80-0155RK	Probe assembly, 30", aluminum, with cotton ball filter, for GX-2003/GX-2012/Gas Tracer	65.00
80-0157RK	Bar hole probe, 30" fiberglass for GX-2003/GX-2012/Gas Tracer	70.00
80-0161RK	Flexible 10" probe tube without instrument adapter, clear plastic	40.00
80-0161RK-24	Flexible 24" probe tube without instrument adapter, clear plastic	45.00
80-0162RK	Flexible 10" probe tube with female quick-connect (attaches to instrument)	75.00
80-0162RK-24	Flexible 24" probe tube with female quick-connect (attaches to instrument)	75.00
80-0225RK	Hydrophobic filter, in line, ACRO - 50 with fittings for GX-7/GX-2001/GX-2003/GX-2012/Gas Tracer and RX-415	65.00
80-0404RK	Dilution fitting, 50:50 for GX-2003/-2012/Gas Tracer/RP-2009/RP-6	95.00
81-0016RK-05	Cylinder, Methane 100% volume, 58L steel	140.00
81-0090RK-01	Cylinder, CO 50 ppm / Methane 50% LEL / O2 12 % in N2, 34L	55.00
81-0090RK-03	Cylinder, CO 50 ppm / Methane 50% LEL / O2 12 % in N2, 103L	195.00
81-0154RK-02	Cylinder, H2S 25 ppm / CO 50 ppm / CH4 50% LEL / O2 12% in N2, 58AL	240.00
81-0154RK-04	Cylinder, H2S 25 ppm / CO 50 ppm / CH4 50% LEL / O2 12% in N2, 34AL	165.00
81-0154RK-06-11	Bump test cylinder, H2S 40 ppm / CO 100 ppm / Methane 50% LEL / O2 12% in N2, 11AL aerosol, with red plastic straw and gas bag for GX-2012	75.00
81-0154RK-116	Cylinder, H2S 25 ppm / CO 50 ppm / CH4 50% LEL / O2 12% in N2, 116AL.....	340.00
81-1050RK	Regulator, with gauge & knob, 17/34L, 0.5 LPM	125.00
81-1051RK	Regulator, with gauge & knob, 34AL/58AL/103L, 0.5 LPM	125.00
81-1054RK	Regulator, demand flow for 34AL/58AL/103L	280.00
81-1055RK	Regulator, demand flow for 17L/34L steel cylinders.....	280.00

Premier Portable Instruments

GX-2012 Five Sensor Sample Draw Confined Space Monitor with CSA Approval

Combustibles (CH4 Standard)	% Volume CH4	O2	H2S	CO
Catalytic combustion	Thermal Conductivity	Galvanic Cell	Electrochemical Cell	
0 ~ 100% LEL	0 ~ 100% Vol.	0 ~ 40% Vol.	0 ~ 100 ppm	0 ~ 500 ppm



Part Number Structure

Gas Configuration **Battery Option**
72-0292- **XX** - **Y**

Step 1 - Choose Base Model

<u>Part#</u>	<u>Description</u>	<u>Suggested Retail</u>
72-0292-01-__	GX-2012, 1 sensor, LEL base, choose battery option	845.00
72-0292-02-__	GX-2012, 1 sensor, O2 base, choose battery option	845.00
72-0292-03-__	GX-2012, 1 sensor, H2S base, choose battery option	845.00
72-0292-04-__	GX-2012, 1 sensor, CO base, choose battery option	845.00
72-0292-08-__	GX-2012, 2 sensor, LEL / O2 base, choose battery option.....	895.00
72-0292-09-__	GX-2012, 2 sensor, LEL / H2S base, choose battery option	895.00
72-0292-10-__	GX-2012, 2 sensor, LEL / CO base, choose battery option	895.00
72-0292-11-__	GX-2012, 2 sensor, LEL / % volume CH4 base, choose battery option	945.00
72-0292-12-__	GX-2012, 2 sensor, O2 / CO base, choose battery option	895.00
72-0292-14-__	GX-2012, 2 sensor, O2 / H2S	895.00
72-0292-16-__	GX-2012, 3 sensor, LEL / O2 / H2S base, choose battery option	945.00
72-0292-17-__	GX-2012, 3 sensor, LEL / O2 / CO base, choose battery option	945.00
72-0292-18-__	GX-2012, 3 sensor, LEL / % volume CH4 / O2 base, choose battery option	995.00
72-0292-19-__	GX-2012, 3 sensor, LEL / % volume CH4 / CO base, choose battery option	995.00
72-0292-22-__	GX-2012, 4 sensor, LEL / O2 / H2S / CO base, choose battery option	995.00
72-0292-23-__	GX-2012, 4 sensor, LEL / % volume CH4 / O2 / CO base, choose battery option	1,045.00
72-0292-24-__	GX-2012, 4 sensor, LEL / % volume CH4 / O2 / H2S base, choose battery option	1,045.00
72-0292-27-__	GX-2012, 5 sensor, LEL / % volume CH4 / O2 / H2S / CO base, choose battery option	1,095.00

Step 2 - Choose Battery Option

Add Battery Option letter below to the end of the Base Model part # and add price to the Base Model price.

A	Alkaline battery pack only	0.00
B	Alkaline and Li-Ion battery pack with 100-240 VAC Charger	260.00
C	Li-Ion battery pack only with 100-240 VAC charger (Alkaline battery pack not included)	200.00
D	Li-Ion battery pack only with 12 VDC charger (Alkaline battery pack not included)	200.00
E	Alkaline and Li-Ion battery pack with 12 VDC Charger	260.00
F	Li-Ion battery pack only with 100-240 VAC / 12 VDC Charger (Alkaline battery pack not included)	220.00
G	Alkaline and Li-Ion battery pack with 100-240 VAC / 12 VDC charger	280.00
H	Li-Ion battery pack only with no charger	150.00

Example: 72-0292-22-C is GX-2012, 4 sensors, LEL / O2 / H2S / CO, with 100-240 VAC charger and Li-Ion battery pack
 (Alkaline battery pack is not included with this example)

<u>Part#</u>	<u>Description</u>	<u>Suggested Retail</u>
72-0292-22-C	GX-2012, 4 sensors, LEL / O2 / H2S / CO, with 100-240 VAC charger and Li-Ion battery pack.....	1,195.00

Instrument Price Includes

10' hose, probe, Operators Manual, and Product CD (contains Training Video, Parts List, Data logging software, Operators Manual, and Quick Reference Card). The battery and charger (if applicable) option selected above is also included.

Premier Portable Instruments

GX-2012 CSA Replacement Sensors

Part#	Description	Suggested Retail
ES-1821	Sensor, Carbon Monoxide (CO) for GX-2009/GX-2012/GX-6000/CO-03/GasWatch 2/Gas Tracer	140.00
ES-1827i	Sensor, Hydrogen Sulfide (H2S) for GX-2009/GX-2012/GX-6000/HS-03/GasWatch 2	140.00
NC-6264B	Sensor, CH4, for GX-2009 MSHA / GX-2012 CSA	140.00
OS-BM2	Sensor, Oxygen (O2) for GX-2009/GX-2012/GX-6000/GasWatch 2/OX-03/Gas Tracer.....	120.00
TE-7561	Sensor, TC, % volume, GX-2003/GX-2012/Gas Tracer	160.00

GX-2012 CSA Calibration Kits

Instrument #	Cal-Kit Part #	Cal-Kit Description	Price
72-0292-08	81-GX03CO	Cal kit, GX-2003/GX-2012, 103L cyl CO/CH4/O2 in N2, dem flow reg, case & tubing	490.00
72-0292-10 72-0292-12	81-GX03CO-DLV	Cal kit, GX-2003/GX-2012, 34L cyl CO/CH4/O2, dem flow reg, case & tubing	410.00
72-0292-17	81-GX03CO-LV	Cal kit, GX-2003/GX-2012, 34L cyl CO/CH4/O2 in N2, dispensing valve, gas bag, case & tubing	165.00
72-0292-09	81-GX03HSCO	Cal kit, GX-2003/GX-2012, 58AL cyl H2S (25 ppm)/CO/CH4/O2, dem flow reg, case & tubing	575.00
72-0292-16 72-0292-22	81-GX03HSCO-DLV	Cal kit, GX-2003/GX-2012, 34AL cyl H2S (25 ppm)/CO/CH4/O2, dem flow reg, case & tubing	510.00
	81-GX03HSCO-LV	Cal kit, GX-2003/GX-2012, 34AL cyl H2S (25 ppm)/CO/CH4/O2, reg with gauge & knob, gas bag, case & tubing	365.00
72-0292-11 72-0292-18 72-0292-19 72-0292-23	81-GX12VCO-DLV	Cal kit, GX-2012, 34L cyl CO/CH4/O2, 34L 50% vol CH4, dem flow reg, case & tubing	460.00
72-0292-24 72-0292-27	81-GX03VHSCO	Cal kit, GX-2003/GX-2012, 58AL cyl H2S (25 ppm)/CO/CH4/O2, 58L 100% vol. CH4, dem flow reg, case & tubing	690.00
	81-GX03VHSCO-LV	Cal kit, GX-2003/GX-2012, 34AL cyl H2S (25 ppm)/CO/CH4/O2, 58L cyl 100% vol. CH4, reg with gauge & knob, disp valve, gas bag, case & tubing	480.00
	81-GX03VHSCODLV	Cal kit, GX-2003/GX-2012, 34AL cyl H2S (25 ppm)/CO/CH4/O2, 58L cyl 100% vol. CH4, dem flow reg, case & tubing	620.00

Premier Portable Instruments

Gas Tracer Five Sensor Sample Draw Leak Checker & Confined Space Monitor

Combustibles (CH4 Standard)	% Volume CH4	PPM CH4	O2	CO
Catalytic combustion	Thermal Conductivity	MOS/Catalytic	Galvanic	Electrochemical
0 ~ 100% LEL	0 ~ 100% Vol.	0 ~ 5,000 ppm	0 ~ 40% Vol.	0 ~ 500 ppm



Part Number Structure

Gas Configuration **Battery Option**
72-0291- **XX** - **Y**

Step 1 - Choose Base Model

<u>Part#</u>	<u>Description</u>	<u>Suggested Retail</u>
72-0291-51-__	Gas Tracer, 1 sensor, 0 - 10,000 ppm CH4 base, choose battery option	1,045.00
72-0291-54-__	Gas Tracer, 2 sensor, PPM CH4 / LEL base, choose battery option	1,095.00
72-0291-55-__	Gas Tracer, 2 sensor, PPM CH4 / O2 base, choose battery option.....	1,095.00
72-0291-56-__	Gas Tracer, 2 sensor, PPM CH4 / CO base, choose battery option	1,095.00
72-0291-56H-__	Gas Tracer, 2 sensor, PPM CH4 / CO (with H2S response, no charcoal filter) base, choose battery option	1,095.00
72-0291-59-__	Gas Tracer, 3 sensor, PPM CH4 / LEL / O2 base, choose battery option	1,145.00
72-0291-60-__	Gas Tracer, 3 sensor, PPM CH4 / LEL / CO base, choose battery option	1,145.00
72-0291-60H-__	Gas Tracer, 3 sensor, PPM CH4 / LEL / CO (with H2S response, no charcoal filter) base, choose battery option	1,145.00
72-0291-61-__	Gas Tracer, 3 sensor, PPM CH4 / LEL / % volume CH4 base, choose battery option	1,195.00
72-0291-64-__	Gas Tracer, 4 sensor, PPM CH4 / LEL / O2 / CO base, choose battery option	1,195.00
72-0291-64H-__	Gas Tracer, 4 sensor, PPM CH4 / LEL / O2 / CO (with H2S response, no charcoal filter) base, choose battery option	1,195.00
72-0291-65-__	Gas Tracer, 4 sensor, PPM CH4 / LEL / % volume CH4 / O2 base, choose battery option	1,245.00
72-0291-66-__	Gas Tracer, 4 sensor, PPM CH4 / LEL / % volume CH4 / CO base, choose battery option	1,245.00
72-0291-66H-__	Gas Tracer, 4 sensor, PPM CH4 / LEL / % volume CH4 / CO (with H2S response, no charcoal filter) base, choose battery option	1,245.00
72-0291-69-__	Gas Tracer, 5 sensor, PPM CH4 / LEL / % volume CH4 / O2 / CO base, choose battery option	1,295.00
72-0291-69H-__	Gas Tracer, 5 sensor, PPM CH4 / LEL / % volume CH4 / O2 / CO (with H2S response, no charcoal filter) base, choose battery option	1,295.00

Step 2 - Choose Battery Option

Add Battery Option letter below to the end of the Base Model part # and add price to the Base Model price.

A	Alkaline battery pack only	0.00
B	Alkaline and Li-Ion battery pack with 100-240 VAC Charger	260.00
C	Li-Ion battery pack only with 100-240 VAC charger (Alkaline battery pack not included)	200.00
D	Li-Ion battery pack only with 12 VDC charger (Alkaline battery pack not included)	200.00
E	Alkaline and Li-Ion battery pack with 12 VDC Charger	260.00
F	Li-Ion battery pack only with 100-240 VAC / 12 VDC Charger (Alkaline battery pack not included)	220.00
G	Alkaline and Li-Ion battery pack with 100-240 VAC / 12 VDC charger	280.00
H	Li-Ion battery pack only with no charger	150.00

Example:

<u>Part#</u>	<u>Description</u>	<u>Suggested Retail</u>
72-0291-65-C	Gas Tracer, 4 sensors, PPM CH4 / LEL / % volume CH4 / O2 with 100-240 VAC charger and li-ion battery pack (alkaline pack not included)	1,445.00

Instrument Price Includes

10' hose, probe, Operators Manual, and Product CD (contains Training Video, Parts List, Data logging software, Operators Manual, and Quick Reference Card). The battery and charger (if applicable) option selected above is also included.

Premier Portable Instruments

Replacement Sensors

Part#	Description	Suggested Retail
ES-1821	Sensor, Carbon Monoxide (CO) for GX-2009/GX-2012/GX-6000/CO-03/GasWatch 2/Gas Tracer	140.00
ES-1827i	Sensor, Hydrogen Sulfide (H2S) for GX-2009/GX-2012/GX-6000/HS-03/GasWatch 2	140.00
NC-6264A	Sensor, LEL, for GX-2009/GX-2012/GX-6000/GP-03/Gas Tracer	120.00
NC-6264AZX	Sensor, LEL, silicone resistant, for GX-2009/GX-2012/GX-6000/GX-2001/GX-2003/Gas Tracer/GP-01	130.00
OS-BM2	Sensor, Oxygen (O2) for GX-2009/GX-2012/GX-6000/GasWatch 2/OX-03/Gas Tracer	120.00
SH-8641	Sensor, ppm Methane (CH4) for Gas Tracer	160.00
TE-7561	Sensor, TC, % volume, GX-2003/GX-2012/Gas Tracer	160.00

Gas Tracer Calibration Kits

Instrument #	Cal-Kit Part #	Cal-Kit Description	Price
72-0291-51	81-GT51-DLV	Cal kit, Gas Tracer, 34L cyl 500 ppm CH4/Air, humidifier tube, dem flow reg, case & tubing	510.00
72-0291-54 72-0291-55 72-0291-56 72-0291-59 72-0291-60 72-0291-64	81-GT64-DLV	Cal kit, Gas Tracer, 34L cyl 500 ppm CH4/Air, 34L CO/CH4/O2, humidifier tube, dem flow reg, case & tubing	565.00
72-0291-61 72-0291-65 72-0291-66 72-0291-69	81-GT69	Cal kit, Gas Tracer, 103L cyl 500 ppm CH4/Air, 58L steel 100% vol CH4, 103L CO/CH4/O2, humidifier tube, dem flow reg, case & tubing	1,085.00

Gas Tracer Calibration Station

Part#	Description	Suggested Retail
81-SDM2012-01	Single point calibration station for GX-2012 and Gas Tracer, model SDM-2012 with AC Adaptor, flash drive, USB cable, tubing & installation CD	1,200.00
81-SDM2012-02	Single point calibration station for GX-2012 and Gas Tracer, model SDM-2012 with AC Adaptor, flash drive, USB cable, tubing, installation CD & demand flow regulator	1,480.00
81-SDM2012-07	Single point calibration station for Gas Tracer, model SDM-2012 with AC Adaptor, flash drive, USB cable, tubing, installation CD, humidifier tube, two demand flow regulators, 103L cyl CO/CH4/O2, & 103L cyl 1,000 ppm CH4/Air	2,125.00

SDM-2012



Premier Portable Instruments

Gas Tracer Replacement Parts & Accessories

Part#	Description	Suggested Retail
06-1248RK-03	Calibration Tubing, polyurethane, 3/16 OD x 5/16 ID, 3'	4.50
07-2005RK	Gasket, filter/screen retaining, RP-2009/RP-6/GX-2003/GX-2012/Gas Tracer	15.00
07-6000RK	O-ring for inlet fitting of RP-2009/RP-6/GX-2003/GX-2012/Gas Tracer	1.00
07-6024RK	Battery pack gasket, GX-2012 / Gas Tracer	14.00
07-6025RK	Main case gasket, GX-2012 / Gas Tracer	6.00
07-6026RK	Sensor gasket, GX-2012 / Gas Tracer	6.00
13-0112RK	Wrist strap	4.00
13-0118RK	Belt clip, GX-2012 / Gas Tracer	24.00
17-1000RK	Inlet fitting (also needs o-ring 07-6000RK)	8.80
17-1001RK	Tapered rubber inlet nozzle, 4", RP-2009/RP-6/GX-2003/GX-2012/Gas Tracer	8.00
17-4430RK-01	Bypass tee probe w/GX-7 quick disconnect, for GX-2003 / GX-2012/Gas Tracer purge sampling	20.00
21-1833RK	Filter holder, clear plastic, RP-2009/GX-2003/GX-2012/Gas Tracer/GX-6000	7.50
21-1890RK	Top cover assembly, GX-2012/Gas Tracer	76.00
21-1891RK	Main case assembly, Gas Tracer	150.00
21-1892RK	Sensor cap assembly, GX-2012/Gas Tracer	76.00
30-0022RK	Pump replacement for GX-2012/Gas Tracer/RP-2009/GX-6000/FP-31/NC-1000, with cable and connector	140.00
30-1053RK	Vibration motor, GX-2003/GX-2012/Gas Tracer	32.00
33-0159RK	Teflon filter disc, 10 pieces, RP-2009/RP-6/GX-2003/GX-2012/Gas Tracer/GX-6000/NC-1000	24.00
33-1031RK	Cotton balls, filters for probe, bag of 25	4.00
33-1036RK	Filter body, plastic, for 80-0150RK probe	6.00
33-1112RK	Wire mesh disk filter, RP-2009/RP-6/GX-2003/GX-2012/Gas Tracer/GX-6000, 10 pack	15.00
33-2001RK-01	Humidifier tube assembly for cal kits, with 3/16" tubing on ends, 6"	100.00
33-7102RK	Filter, charcoal, for CO sensor, pack of 5, GX-2009/GX-2012/Gas Tracer/GX-6000	10.00
33-7114RK	Filter disk, H2S scrubber, strip of 5, for LEL sensor port, GP-01/GX-2001/GX-2009/GX-2012/Gas Tracer/ GX-6000	10.00
47-5084RK-01	Downloading cable, USB / IrDA adapter, Windows XP, Windows 7, & Windows 8 compatible (Not needed if computer has built-in IR port)	220.00
49-0115RK	115 / 220 VAC Adapter for charger, GX-6000/GX-2009/GX-2012/Gas Tracer/EAGLE 2/GX-8000	20.00
49-1120RK	Size AA alkaline battery	1.20
49-1320RK	Battery, NiMH, AA	4.00
49-1406RK	Battery, lithium, CR 1220, for main PCB for GX-2012, Gas Tracer, GP-1000, & NC-1000	4.40
49-1615RK	Battery pack, lithium ion, GX-2012 / Gas Tracer	175.00
49-1616RK	Alkaline Battery pack without batteries with gasket, GX-2012 / Gas Tracer	100.00
49-1616RK-01	Alkaline Battery pack cover with gasket, GX-2012 / Gas Tracer	30.00
49-2020RK	12 VDC Adapter for charger with vehicle plug (charger base not included), GX-2009/GX-2012/Gas Tracer	24.00
49-2058RK-04	AC adapter 4 port charger for SDM-2009, SDM-2012, and SDM-03	88.00
49-2180RK	Charging station only, for Li-Ion battery pack, no AC adapter for GX-2012/Gas Tracer	70.00
49-2180RK-01	Charging station with AC adapter, for Li-Ion battery pack, 110/115/220 VAC, for GX-2012/Gas Tracer	85.00
49-2180RK-DC	Charging station only, with velcro strap, for DC Li-Ion battery pack, no DC adapter, for GX-2012/Gas Tracer	75.00
49-2181RK	Charging station with 12 VDC vehicle plug adapter for Li-Ion battery pack, for GX-2012/Gas Tracer	90.00
49-3105RK	Charger, NiMH, charges four AA or AAA size with A/C adapter and DC vehicle plug	36.00
49-3106RK	Charger, NiMH, charges twelve AAA size with A/C adapter and DC vehicle plug	72.00
51-1125RK	LCD display, GX-2012 / Gas Tracer	60.00
57-2042RK	Sensor PC board assembly, Gas Tracer	88.00
57-2044RK	CPU PC board assembly, Gas Tracer	640.00
71-8005RK	Product CD, Gas Tracer, includes data downloading software, operators manual, training video, spare parts list, and quick reference card	0.00
71-8007RK	Product CD, SDM-GX includes data viewing software, operators manual for SDM-GX2009 and SDM-GX2012	0.00
80-0009RK-10	Hose, 10', polyurethane, GX-2012/Gas Tracer/GX-20003/RP-2009	36.00
80-0009RK-15	Hose, 15', polyurethane, GX-2012/Gas Tracer/GX-20003/RP-2009	38.00
80-0009RK-20	Hose, 20', polyurethane, GX-2012/Gas Tracer/GX-20003/RP-2009	40.00
80-0009RK-25	Hose, 25', polyurethane, GX-2012/Gas Tracer/GX-20003/RP-2009	42.00
80-0009RK-30	Hose, 30', polyurethane, GX-2012/Gas Tracer/GX-20003/RP-2009	46.00
80-0009RK-40	Hose, 40', polyurethane, GX-2012/Gas Tracer/GX-20003/RP-2009	54.00
80-0009RK-50	Hose, 50', polyurethane, GX-2012/Gas Tracer/GX-20003/RP-2009	72.00
80-0009RK-75	Hose, 75', polyurethane, GX-2012/Gas Tracer/GX-20003/RP-2009	86.00
80-0009RK-99	Hose, 100', polyurethane, RKI style, GX-2012/Gas Tracer/GX-20003/RP-2009	98.00
80-0101RK	Hose with floating head, 8 meters (25 feet), with GX-/RX- series	98.00

Premier Portable Instruments

Replacement Parts & Accessories

Part#	Description	Suggested Retail
80-0140RK	Extendible probe, 32" (collapsible), fiberglass with filter for GX-2003/GX-2012/Gas Tracer	84.00
80-0144RK	Extendible probe, 7' (collapsible to 2'), fiberglass with filter for GX-2003/GX-2012/Gas Tracer	88.00
80-0150RK	Probe assembly, 10", with cotton ball filter	25.00
80-0155RK	Probe assembly, 30", aluminum, with cotton ball filter, for GX-2003/GX-2012/Gas Tracer	65.00
80-0157RK	Bar hole probe, 30" fiberglass for GX-2003/GX-2012/Gas Tracer	70.00
80-0161RK	Flexible 10" probe tube without instrument adapter, clear plastic	40.00
80-0161RK-24	Flexible 24" probe tube without instrument adapter, clear plastic	45.00
80-0162RK	Flexible 10" probe tube with female quick-connect (attaches to instrument)	75.00
80-0162RK-24	Flexible 24" probe tube with female quick-connect (attaches to instrument)	75.00
80-0225RK	Hydrophobic filter, in line, ACRO - 50 with fittings for GX-7/GX-2001/GX-2003/GX-2012/Gas Tracer and RX-415	65.00
80-0404RK	Dilution fitting, 50:50 for GX-2003/-2012/Gas Tracer/RP-2009/RP-6	95.00
81-0016RK-05	Cylinder, Methane 100% volume, 58L steel	140.00
81-0018RK-01	Cylinder, isobutane 50% LEL in Air, 34L	55.00
81-0018RK-03	Cylinder, isobutane 50% LEL in Air, 103L	155.00
81-0026RK-01	Cylinder, isobutane 250 ppm in Air, 34L	55.00
81-0026RK-03	Cylinder, isobutane 250 ppm in Air, 103L	165.00
81-0076RK-01	Cylinder, Zero Air, 34 L	55.00
81-0076RK-03	Cylinder, Zero Air, 103L	155.00
81-0085RK-01	Cylinder, Methane, 1,000 ppm in Air, 34L	55.00
81-0085RK-03	Cylinder, Methane, 1,000 ppm Air, 103L	155.00
81-0090RK-01	Cylinder, CO 50 ppm / Methane 50% LEL / O2 12 % in N2, 34L	55.00
81-0090RK-03	Cylinder, CO 50 ppm / Methane 50% LEL / O2 12 % in N2, 103L	195.00
81-1054RK	Regulator, demand flow for 34AL/58AL/103L	280.00
81-1055RK	Regulator, demand flow for 17L/34L steel cylinders.....	280.00

Premier Portable Instruments

GX-6000 Six Sensor Sample Draw Gas Monitor Price Configurator

Base Instrument	4 Gas Sensors	Smart Sensor 1	Smart Sensor 2	Battery
72 - 6	A	B	X	C

Step 1 Step 2 Step 3 Step 4

4 Gas Sensors	Smart Sensor 1	Smart Sensor 1	Battery
---------------	----------------	----------------	---------

\$1,695 \$1,200 \$0.00 \$250 \$3,145

Total List Price



Above Example:

72-6ABX-C

GX-6000 for LEL / O2 / H2S / CO / VOC's (0 - 6,000 ppm PID) with Li-Ion battery pack and

115 VAC charger \$3,145.00

Step 1

Standard 4 gas sensors

X	No 4 gas sensors	1,495.00
A	LEL / O2 / H2S / CO	1,695.00
B	LEL / O2 / CO	1,645.00
C	LEL / O2 / H2S	1,645.00
D	O2 / H2S	1,595.00
E	O2 / CO	1,595.00
F	LEL / CO	1,595.00
G	LEL / H2S	1,595.00
H	LEL / O2	1,595.00
I	CO	1,545.00
J	H2S	1,545.00
K	O2	1,545.00
L	LEL	1,545.00
M	O2 / H2S / CO	1,645.00
N	LEL / H2S / CO	1,645.00

Part # order for instruments using both Smart Sensor slots:

PID 1
PID 2
Cl2
All other sensors

Step 2 & Step 3

Smart Sensor Slots 1 and 2

X	No Sensor	0.00
A	PID, Low range, 50 ppm (PID-001)	1,600.00
B	PID, High range, 6,000 ppm (PID-002)	1,200.00
C	IR, CH4, 100% LEL / 100% vol, (DES-3311-3)	400.00
D	IR, HC, 100% LEL / 30% vol, (DES-3311-2)	400.00
E	IR, CO2, 10,000 ppm, (DES-3311-4-01)	450.00
F	IR, CO2, 5% vol (DES-3311-1-01)	450.00
I	SO2, 6 ppm (ESS-03DH-SO2)	260.00
K	NO2, 9 ppm (ESS-03DH-NO2)	260.00
L	HCN, 15 ppm (ESS-03DH-HCN)	260.00
M	NH3, 400 ppm (ESS-B332-NH3)	260.00
P	Cl2, 10 ppm (ESS-B335-CL2)	260.00

Step 4

Battery options

A	Alkaline battery pack only	0.00
B	Alkaline and Li-Ion battery pack with 100-240 VAC Charger	375.00
C	Li-Ion battery pack with 100-240 VAC Charger	250.00
D	Li-Ion battery pack only with 12 VDC charger (Alkaline battery pack not included)	250.00
E	Alkaline and Li-Ion battery pack with 12 VDC Charger	375.00
F	Li-Ion battery pack only with 100-240 VAC / 12 VDC combo charger (Alkaline battery pack not included)	270.00
G	Alkaline and Li-Ion battery pack with 100-240 VAC / 12 VDC combo charger	395.00
H	Li-Ion battery pack only with no charger	125.00

Premier Portable Instruments

GX-6000 Instrument Price Includes

Part#	Description
20-0326	Rubber protective boot for GX-6000
49-1619	Battery pack, Li-Ion, BUL-6000 for GX-6000 or 49-1620 Battery pack, alkaline, BUD-6000 for GX-6000
71-8010	Product CD, GX-6000, includes data logging software with manual, operators manual and spare parts list
80-0006-03P	Hose, 3' for GX-6000, Teflon lined with probe attached

GX-6000 Common Configurations

Part#	Description	Suggested Retail
72-6AAX-C	GX-6000 for LEL / O2 / H2S / CO / VOC's (0 - 50,000 ppb PID) with Li-Ion battery pack and 115 VAC charger	3,545.00
72-6ABX-C	GX-6000 for LEL / O2 / H2S / CO / VOC's (0 - 6,000 ppm PID) with Li-Ion battery pack and 115 VAC charger	3,145.00
72-6XAX-C	GX-6000 for VOC's (0 - 50,000 ppb PID) with Li-Ion battery pack and 115 VAC charger	3,345.00
72-6XBX-C	GX-6000 for VOC's (0 - 6,000 ppm PID) with Li-Ion battery pack and 115 VAC charger	2,945.00
72-6AAX-C	GX-6000 for LEL / O2 / H2S / CO with Li-Ion battery pack and 115 VAC charger	1,945.00
72-6ABL-C	GX-6000 for LEL / O2 / H2S / CO / VOC's (0 - 6,000 ppm PID) / HCN with Li-Ion battery pack and 115 VAC charger	3,405.00
72-6ABK-C	GX-6000 for LEL / O2 / H2S / CO / VOC's (0 - 6,000 ppm PID) / NO2 with Li-Ion battery pack and 115 VAC charger	3,405.00
72-6ABI-C	GX-6000 for LEL / O2 / H2S / CO / VOC's (0 - 6,000 ppm PID) / SO2 with Li-Ion battery pack and 115 VAC charger	3,405.00

GX-6000 Replacement Sensors

Part#	Description	Suggested Retail
NC-6264A	Sensor, LEL, for GX-2009/GX-2012/GX-6000/GP-03/Gas Tracer	120.00
OS-BM2	Sensor, Oxygen (O2) for GX-2009/GX-2012/GX-6000/OX-03/Gas Tracer ...	120.00
ES-1827i	Sensor, Hydrogen Sulfide (H2S) for GX-2009/GX-2012/GX-6000/HS-03 ...	140.00
ES-1821	Sensor, Carbon Monoxide (CO) for GX-2009/GX-2012/GX-6000/CO-03/ Gas Tracer	140.00
PID-001	Sensor, PID, VOC 0-50 ppm for GX-6000	1,600.00
PID-002	Sensor, PID, VOC 0-6,000 ppm for GX-6000	1,200.00
51-1500RK	PID replacement lamp, 0 - 50 ppm, for Ion Science PID	275.00
51-1502	Replacement lamp, 0-2000 (EAGLE 2) or 0-6000 ppm (GX-6000) PID	250.00
51-1502-01	Replacement lamp and stack set, 0-6000 ppm for Ion Science HPPM PID	290.00
33-0560-01	Electrode Stack, 0-50 ppm, (1 electrode) for GX-6000 PID	60.00
33-0562	Electrode Stack, 0-6,000 ppm, (1 electrode) for GX-6000 PID	44.00
DES-3311-3	Sensor, IR, Methane (CH4) 0 - 100% LEL / 0 - 100% volume auto range for GX-6000	400.00
DES-3311-2	Sensor, IR, Hydrocarbons (HC) 0 - 100% LEL / 0 - 30% volume auto range for GX-6000	400.00
DES-3311-4	Sensor, IR, Carbon Dioxide (CO2) 0 - 10,000 ppm for GX-6000	400.00
DES-3311-4-01	Sensor, IR, Carbon Dioxide (CO2) 0 - 10,000 ppm with scrubber for GX-6000	450.00
DES-3311-1	Sensor, IR, Carbon Dioxide (CO2) 0 - 5% for GX-6000	400.00
DES-3311-1-01	Sensor, IR, Carbon Dioxide (CO2) 0 - 5% with scrubber for GX-6000	450.00
ESS-B332-NH3	Sensor, Ammonia (NH3), 0-400 ppm for GX-6000	260.00
ESS-03DH-HCN	Sensor, Hydrogen Cyanide (HCN) 0 - 15 ppm for GX-6000	260.00
ESS-B335-CL2	Sensor, Chlorine (Cl2), 0-10 ppm for GX-6000	260.00
ESS-03DH-NO2	Sensor, Nitrogen Dioxide (NO2), 0-9 ppm for GX-6000	260.00
ESS-03DH-SO2	Sensor, Sulfur Dioxide (SO2) 0 - 6 ppm for GX-6000	260.00



Premier Portable Instruments

GX-6000 Calibration Kits

Part#	Description	Suggested Retail
72-6AAX	81-6AAX-DLV Cal Kit, GX-6000, 34AL cyl 10 ppm isobutylene in air, 34AL cyl H2S/CO/CH4/O2, dem flow reg, case & tubing	655.00
72-6ABI	81-6ABI-DLV Cal Kit, GX-6000, 34AL cyl 100 ppm Isobutylene/H2S/CO/CH4/O2, 34AL cyl 5 ppm SO2 in N2, dem flow reg, case, tubing	710.00
72-6ABK	81-6ABK-DLV Cal Kit, GX-6000, 34AL cyl 100 ppm Isobutylene/H2S/CO/CH4/O2, 34AL cyl 10 ppm NO2 in N2, dem flow reg, case, tubing	805.00
72-6ABL	81-6ABL-DLV Cal Kit, GX-6000, 34AL cyl 100 ppm Isobutylene/H2S/CO/CH4/O2, 34AL cyl 10 ppm HCN in N2, dem flow reg, case, tubing	810.00
72-6ABX	81-6ABX-DLV Cal Kit, GX-6000, 34AL cyl 100 ppm Isobutylene/H2S/CO/CH4/O2, dem flow reg, case, tubing	575.00
72-6AXX	81-6AXX Cal kit, GX-6000, 58AL cyl CH4/O2/H2S/CO, dem flow reg, case and tubing	580.00
	81-6AXX-DLV Cal kit, GX-6000, 34AL cyl CH4/O2/H2S/CO, dem flow reg, case and tubing	520.00
72-6XAX	81-6XAX-DLV Cal Kit, GX-6000, 34AL cyl 10 ppm isobutylene in air, dem flow reg, case & tubing	490.00
72-6XBX	81-6XBX-DLV Cal Kit, GX-6000, 34AL cyl 100 ppm isobutylene in air, dem flow reg, case & tubing	520.00

GX-6000 Bundles

Part#	Description	Suggested Retail
72-6ABX-C-50	GX-6000 for LEL / O2 / H2S / CO / VOC's (0 - 6,000 ppm PID) with Li-Ion battery pack, 115 VAC charger, and padded carrying case	3,225.00
72-6ABX-C-51	GX-6000 for LEL / O2 / H2S / CO / VOC's (0 - 6,000 ppm PID) with Li-Ion battery pack, 115 VAC charger, 34AL cylinder isobutylene/CH4/O2/CO/H2S, demand flow regulator, tubing, and padded carrying case	3,765.00
72-6XBX-C-50	GX-6000 for VOC's (0 - 6,000 ppm PID) with Li-Ion battery pack, 115 VAC charger, and padded carrying case	3,025.00
72-6XBX-C-51	GX-6000 for VOC's (0 - 6,000 ppm PID) with Li-Ion battery pack, 115 VAC charger, 34AL cylinder 100 ppm isobutylene/air, demand flow regulator, tubing, and padded carrying case	3,510.00
72-6AAX-C-50	GX-6000 for LEL / O2 / H2S / CO with Li-Ion battery pack, 115 VAC charger, and padded carrying case	2,025.00
72-6AAX-C-51	GX-6000 for LEL / O2 / H2S / CO with Li-Ion battery pack, 115 VAC charger, 34AL cylinder CH4/O2/CO/H2S, demand flow regulator, tubing, and padded carrying case	2,510.00



72-6ABX-C-51

Premier Portable Instruments

GX-6000 Replacement Parts & Accessories

Part#	Description	Suggested Retail
07-6035	O-ring, rubber exhaust sealing for GX-6000	1.20
07-6036	Gasket for top cover, black rubber for GX-6000	9.00
07-6038	Gasket for cover, black rubber for GX-6000	11.00
07-6039	Rubber joint for pressure sensor, black for GX-6000	15.00
07-6040	Gasket for sensor chamber (sensor cover), black rubber for GX-6000	11.00
07-6041	Sensor gasket, fluorine rubber, for GX-6000	32.00
07-6043	Gasket for pump, black rubber for GX-6000	15.00
10-1089RK	Screw, M2 x 4.5 mm, 304 SS, phillips, self tapping	2.00
10-1093RK	Screw M2 x 6	0.50
13-0112RK	Wrist strap	4.00
13-0123	Belt clip with installation screws for GX-6000	28.00
13-0601-01	Straps and washer assembly for GX-6000 charger	13.00
13-6022-01	Din rail & end clamps kit to wall mount for one GX-6000 charger	9.00
13-6025-01	Din rail & end clamps kit to wall mount for up to four GX-6000 charger	14.00
17-1031	Tapered nozzle, rubber, red, for GX-6000 inlet	9.00
20-0110-02	Case for GX-6000 plus hose & probe, charger, AC adapter, and manual	80.00
20-0112-04	Case for GX-6000 plus hose & probe, charger, AC adapter, one cylinder cal kit, and manual	120.00
20-0114-03	Case for GX-6000 plus hose & probe, charger, AC adapter, two cylinder cal kit, and manual	175.00
20-0326	Rubber protective boot for GX-6000	38.00
21-1833RK	Filter holder, clear plastic, RP-2009/GX-2003/GX-2012/Gas Tracer/GX-6000	7.50
21-1926	LCD protection film for GX-6000	8.00
21-1926-01	LCD protection film for GX-6000, pack of 5	40.00
29-6100	Water immersion sensing seal, adhesive backed for 03 series, GX-6000, and SP-220	15.00
30-0022RK	Pump replacement for GX-2012/Gas Tracer/RP-2009/GX-6000/FP-31, with cable and connector	140.00
30-1054RK	Vibration motor for the GX-2009 and GX-6000	32.00
33-0159RK	Teflon filter disc, 10 pieces, RP-2009/RP-6/GX-2003/GX-2012/Gas Tracer/GX-6000	24.00
33-0560RK	Electrode stack for PID, 0 - 50 ppm (2 per pack)	115.00
33-0562	Electrode Stack, 0-6,000 ppm, (1 electrode) for GX-6000 PID	44.00
33-1112RK	Wire mesh disk filter, RP-2009/RP-6/GX-2003/GX-2012/Gas Tracer/GX-6000, 10 pack	15.00
33-3013	Filter element, particle, polypropylene/polyethylene for GX-6000 probe	2.00
33-3013-10	Filter element, particle, polypropylene/polyethylene for GX-6000 probe, pack of 10	20.00
33-6015RK	CO2 scrubber, CF-283 for GX-6000/RX-515/RI-85	55.00
33-7102RK	Filter, charcoal, for CO sensor, pack of 5, GX-2009/GX-2012/Gas Tracer/GX-6000	10.00
33-7114RK	Filter disk, H2S scrubber, strip of 5, for LEL sensor port, GP-01/GX-2001/GX-2009/GX-2012/Gas Tracer/ GX-6000	10.00
33-7125	Filter set, 5 charcoal and H2S filters, 10 hydrophobic and metal screen filters for GX-6000	48.00
45-2430RK	Plug adapter for charger, US to Euro, non-grounded	3.60
47-4001	Cable with connectors, main PCB to sensor PCB, for GX-6000	14.00
47-5084RK-01	Downloading cable, USB / IrDA adapter, Windows XP, Windows 7, & Windows 8 compatible (Not needed if computer has built-in IR port)	220.00
49-0115RK	115 / 220 VAC Adapter for charger, GX-6000/GX-2009/GX-2012/Gas Tracer/EAGLE 2/GX-8000 (charger unit not included)	20.00
49-1050RK	Battery, memory backup, silver oxide, SR 616, 1.55 volts, GX-2009 and GX-6000	10.00
49-1120RK	Size AA alkaline battery	1.20
49-1619	Battery pack, Li-Ion, BUL-6000 for GX-6000	250.00
49-1620	Battery pack, alkaline, BUD-6000 for GX-6000	125.00
49-2058RK-04	AC adapter 4 port charger for SDM-2009, SDM-2012, and SDM-03	88.00
49-2182	Battery charger module only, BC-6000, for GX-6000 Li-Ion battery pack	150.00
49-2182-01	Battery charger with 100 - 240 VAC adapter, BC-6000 for GX-6000 Li-Ion battery pack	160.00
49-2183	Battery charger, 12 VDC with vehicle plug, BC-6000 for GX-6000 Li-Ion battery pack	175.00
51-1139	LCD module, BTD-128160B-FBWB-G-G, for GX-6000	60.00
51-1500RK	PID replacement lamp, 0 - 50 ppm, for Ion Science PID	275.00
51-1502	Replacement lamp, 0-2000 (EAGLE 2) or 0-6000 ppm (GX-6000) PID	250.00
51-1502-01	Replacement lamp and stack set, 0-6000 ppm for Ion Science HPPM PID	290.00
65-7001RK	Dummy sensor for GX-2009, GX-2012, or GX-6000 empty sensor slots (LEL, O2, H2S, & CO)	5.00
65-7003	Dummy sensor for GX-6000 empty smart sensors slots	5.00
71-8010	Product CD, GX-6000, includes data logging software with manual, operators manual and spare parts list	0.00
80-0006-03P	Hose, 3' for GX-6000, Teflon lined with probe attached	52.00
80-0006-05P	Hose, 5' for GX-6000, Teflon lined with probe attached	60.00

Premier Portable Instruments

GX-6000 Replacement Parts & Accessories

Part#	Description	Suggested Retail
80-0006-10P	Hose, 10' for GX-6000, Teflon lined with probe attached	80.00
80-0006-15P	Hose, 15' for GX-6000, Teflon lined with probe attached	100.00
80-0006-20P	Hose, 20' for GX-6000, Teflon lined with probe attached	120.00
80-0006-25P	Hose, 25' for GX-6000, Teflon lined with probe attached	140.00
80-0006-30P	Hose, 30' for GX-6000, Teflon lined with probe attached	160.00
80-0006-35P	Hose, 35' for GX-6000, Teflon lined with probe attached	180.00
80-0006-40P	Hose, 40' for GX-6000, Teflon lined with probe attached	200.00
80-0162RK	Flexible 10" probe tube with female quick-connect (attaches to instrument)	75.00
80-0162RK-24	Flexible 24" probe tube with female quick-connect (attaches to instrument)	75.00
80-0172	Probe with hydrophobic filter, dust filter, no scrubber section, for GX-6000 (not for Cl2 use)	28.00
80-0172-01	Probe with hydrophobic filter, no dust filter or scrubber section, for GX-6000 (for Cl2 use)	28.00
81-0071RK-01	Cylinder, CO2, 5000 ppm in N2, 34L	55.00
81-0071RK-03	Cylinder, CO2, 5000 ppm in N2, 103L	155.00
81-0072RK-01	Cylinder, CO2, 2.5% in N2, 34L	55.00
81-0072RK-03	Cylinder, CO2, 2.5% in N2, 103L	155.00
81-0103RK-04	Cylinder, isobutylene 100 ppm in Air, 34AL (aluminum cylinder)	165.00
81-0104RK-04	Cylinder, isobutylene 10 ppm in Air, 34AL (aluminum cylinder)	135.00
81-0143RK-02	Cylinder, isobutylene 100 ppm / H2S 25 ppm / CO 50 ppm / CH4 50% LEL / O2 12% in N2, 58AL	300.00
81-0143RK-04	Cylinder, isobutylene 100 ppm / H2S 25 ppm / CO 50 ppm / CH4 50% LEL / O2 12% in N2, 34AL	220.00
81-0154RK-02	Cylinder, H2S 25 ppm / CO 50 ppm / CH4 50% LEL / O2 12% in N2, 58AL	240.00
81-0154RK-04	Cylinder, H2S 25 ppm / CO 50 ppm / CH4 50% LEL / O2 12% in N2, 34AL	165.00
81-0154RK-116	Cylinder, H2S 25 ppm / CO 50 ppm / CH4 50% LEL / O2 12% in N2, 116AL	340.00
81-0158RK-04	Cylinder, H2S 25 ppm / CO 50 ppm / isobutane 50% LEL / O2 12% in N2, 34AL	170.00
81-0170RK-04	Cylinder, SO2 5 ppm in N2, 34AL	135.00
81-0182RK-04	Cylinder, NO2, 5 ppm in Air, 34AL	230.00
81-0192RK-04	Cylinder, Cl2, 2 ppm in N2, 34AL	235.00
81-0196RK-04	Cylinder, HCN, 10 ppm in N2, 34AL	235.00
81-1054RK	Regulator, demand flow for 34AL/58AL/103L	280.00
82-0300RK	PID lamp cleaning kit with removal tool	40.00

Premier Portable Instruments

SDM-6000 Calibration Station

ORDERING INFORMATION: When ordering an SDM-2012 calibration station, please specify the following components:

- 1) Select the docking station part number based on your calibration needs (calibration gas cylinder, regulator, or unit only).
- 2) Select any other calibration gas cylinder you may need.



SDM-6000

<u>Part#</u>	<u>Description</u>	<u>Suggested Retail</u>
81-SDM6000	SDM-6000 calibration station for GX-6000 with particle filter, & connection brackets (no AC adapter)	1,995.00
81-SDM6000-01	SDM-6000 calibration station for GX-6000, includes particle filter, connection brackets, SD card, USB SD card reader, ethernet cable, USB cable for PC, exhaust tubing, and single unit AC adapter	2,090.00
81-SDM6000-02	SDM-6000 calibration station for GX-6000, includes particle filter, connection brackets, exhaust tubing, USB cable for PC, SD card, USB SD card reader, ethernet cable, and multi-unit AC adapter	2,165.00
81-SDM6000-03	SDM-6000 calibration station for GX-6000, includes particle filter, connection brackets, exhaust tubing, USB cable for PC, SD card, USB SD card reader, ethernet cable, single unit AC adapter, demand flow regulator, and cal gas tubing	2,370.00
81-SDM6000-04	SDM-6000 calibration station for GX-6000, includes particle filter, connection brackets, exhaust tubing, USB cable for PC, SD card, USB SD card reader, ethernet cable, single unit AC adapter, demand flow regulator, cal gas tubing, 58AL cyl H2S/CO/CH4/O2, and cylinder holder	2,630.00
81-SDM6000-05	SDM-6000 calibration station for GX-6000, includes particle filter, connection brackets, exhaust tubing, USB cable for PC, SD card, USB SD card reader, ethernet cable, single unit AC adapter, demand flow regulator, cal gas tubing, 58AL cyl isobutylene/H2S/CO/CH4/O2, and cylinder holder	2,690.00
81-SDM6000-06	Calibration station for SDM-6000, includes particle filter, connection brackets, exhaust tubing, USB cable for PC, SD card, USB SD card reader, ethernet cable, single unit AC adapter, demand flow regulator, cal gas tubing, 34AL cyl isobutylene/air, and cylinder holder	2,555.00
81-SDM6000-07	SDM-6000 calibration station for GX-6000, includes particle filter, connection brackets, exhaust tubing, USB cable for PC, SD card, USB SD card reader, ethernet cable, single unit AC adapter, demand flow regulator, cal gas tubing, 34AL cyl H2S/CO/CH4/O2, and cylinder holder	2,555.00
81-SDM6000-08	SDM-6000 calibration station for GX-6000, includes particle filter, connection brackets, exhaust tubing, USB cable for PC, SD card, USB SD card reader, ethernet cable, single unit AC adapter, 2 demand flow regulators, cal gas tubing, 34AL cyl H2S/CO/CH4/O2, 34AL HCN/N2, and 2 cylinder holders	3,085.00

Premier Portable Instruments

SDM-6000 Replacement Parts & Accessories

Part#	Description	Suggested Retail
14-0401	Wall mounting bracket for SDM-6000	76.00
14-0402	Connection brackets, set of 2, with screws, for connecting the SV-3 solenoid to SDM-6000	54.00
14-0403	Connection brackets, set of 3, with screws, for connecting the SDM-6000 units together	76.00
17-4710	Sample port plug, barbed for SDM-6000 inlet ports	5.60
21-1935	Panel cover for side fittings of SDM-6000	7.45
33-0167RK	Filter, particulate, CF-8369	25.00
33-6015RK	CO2 scrubber, CF-283 for GX-6000/RX-515/RI-85	55.00
47-1013RK	Power cord, AC adapter line cord only	16.00
47-1017	Printer power cord for SDM-6000 printer	10.00
47-5073RK	USB cable, Type A to Type B, 6 feet	4.50
47-5085RK	USB cable with USB mini B, 6 feet	8.00
47-5088	Ethernet network cable, Cat 6, 5 ft, black	9.00
49-0126	AC adapter, single cal station, switching, 100-240 VAC, 5.5 x 2.1 mm jack, powers one SDM-6000	65.00
49-0128	Multi-station AC adapter with cord, powers 2 to 10 SDM-6000 units	136.00
49-0128-01	Multi-station AC adapter without cord, powers 2 to 10 SDM-6000 units	120.00
49-0129	Printer AC adapter only for SDM-6000 printer	150.00
49-1621	Printer battery pack for SDM-6000 printer	190.00
71-0385	Operator's Manual, SDM-6000 Standalone Configuration	0.00
71-0386	Operator's Manual, SDM-6000 PC Controlled Configuration	0.00
71-8011	Product CD, SDM-6000, includes Single Module Data Viewer and PC Controller Programs	0.00
81-1054RK	Regulator, demand flow for 34AL/58AL/103L	280.00
81-SV3	SV-3 solenoid valve unit, with connection brackets, for 6 cylinder expansion to the SDM-6000	1,080.00
82-6107	USB SD card reader with 2 GB SD card	25.00
82-6400	Portable printer for SDM-6000, 58 mm paper width, includes USB/serial/IR adapter, battery pack, USB cable, AC power adapter and cable	960.00
82-6400-01	Thermal printer paper roll, 58 mm width for SDM-6000	31.00

SDM-6000 Calibration Gas and Hardware

Part#	Description	Suggested Retail
06-1248RK-03	Calibration Tubing, polyurethane, 3/16 OD x 5/16 ID, 3'	4.50
81-1501RK	Cylinder holder for 102 liter steel cylinders	16.00
81-1502RK	Cylinder holder for 17/34 liter steel cylinders, and for 34 liter aluminum cylinders	16.00
81-1500RK	Cylinder holder for 58 liter aluminum cylinders	16.00
81-0176RK-04	Cylinder, Ammonia, 25 ppm in N2, 34AL	225.00
81-0176RK-02	Cylinder, Ammonia, 25 ppm in N2, 58AL	350.00
81-0190RK-04	Cylinder, Cl2, 5 ppm in N2, 34AL	235.00
81-0190RK-02	Cylinder, Cl2, 5 ppm in N2, 58AL	350.00
81-0090RK-03	Cylinder, CO 50 ppm / Methane 50% LEL / O2 12 % in N2, 103L	195.00
81-0090RK-01	Cylinder, CO 50 ppm / Methane 50% LEL / O2 12 % in N2, 34L	55.00
81-0072RK-03	Cylinder, CO2, 2.5% in N2, 103L	155.00
81-0072RK-01	Cylinder, CO2, 2.5% in N2, 34L	55.00
81-0071RK-03	Cylinder, CO2, 5000 ppm in N2, 103L	155.00
81-0071RK-01	Cylinder, CO2, 5000 ppm in N2, 34L	55.00
81-0154RK-116	Cylinder, H2S 25 ppm / CO 50 ppm / CH4 50% LEL / O2 12% in N2, 116AL	340.00
81-0154RK-04	Cylinder, H2S 25 ppm / CO 50 ppm / CH4 50% LEL / O2 12% in N2, 34AL	165.00
81-0154RK-02	Cylinder, H2S 25 ppm / CO 50 ppm / CH4 50% LEL / O2 12% in N2, 58AL	240.00
81-0158RK-04	Cylinder, H2S 25 ppm / CO 50 ppm / isobutane 50% LEL / O2 12% in N2, 34AL	170.00
81-0158RK-02	Cylinder, H2S 25 ppm / CO 50 ppm / isobutane 50% LEL / O2 12% in N2, 58AL	245.00
81-0196RK-04	Cylinder, HCN, 10 ppm in N2, 34AL	235.00
81-0196RK-02	Cylinder, HCN, 10 ppm in N2, 58AL	350.00
81-0018RK-03	Cylinder, isobutane 50% LEL in Air, 103L	155.00
81-0018RK-01	Cylinder, isobutane 50% LEL in Air, 34L	55.00
81-0104RK-01	Cylinder, isobutylene 10 ppm in Air, 34L	55.00
81-0104RK-03	Cylinder, isobutylene 10 ppm in Air, 103L	155.00
81-0104RK-04	Cylinder, isobutylene 10 ppm in Air, 34AL (aluminum cylinder)	135.00
81-0143RK-04	Cylinder, isobutylene 100 ppm / H2S 25 ppm / CO 50 ppm / CH4 50% LEL / O2 12% in N2, 34AL	220.00

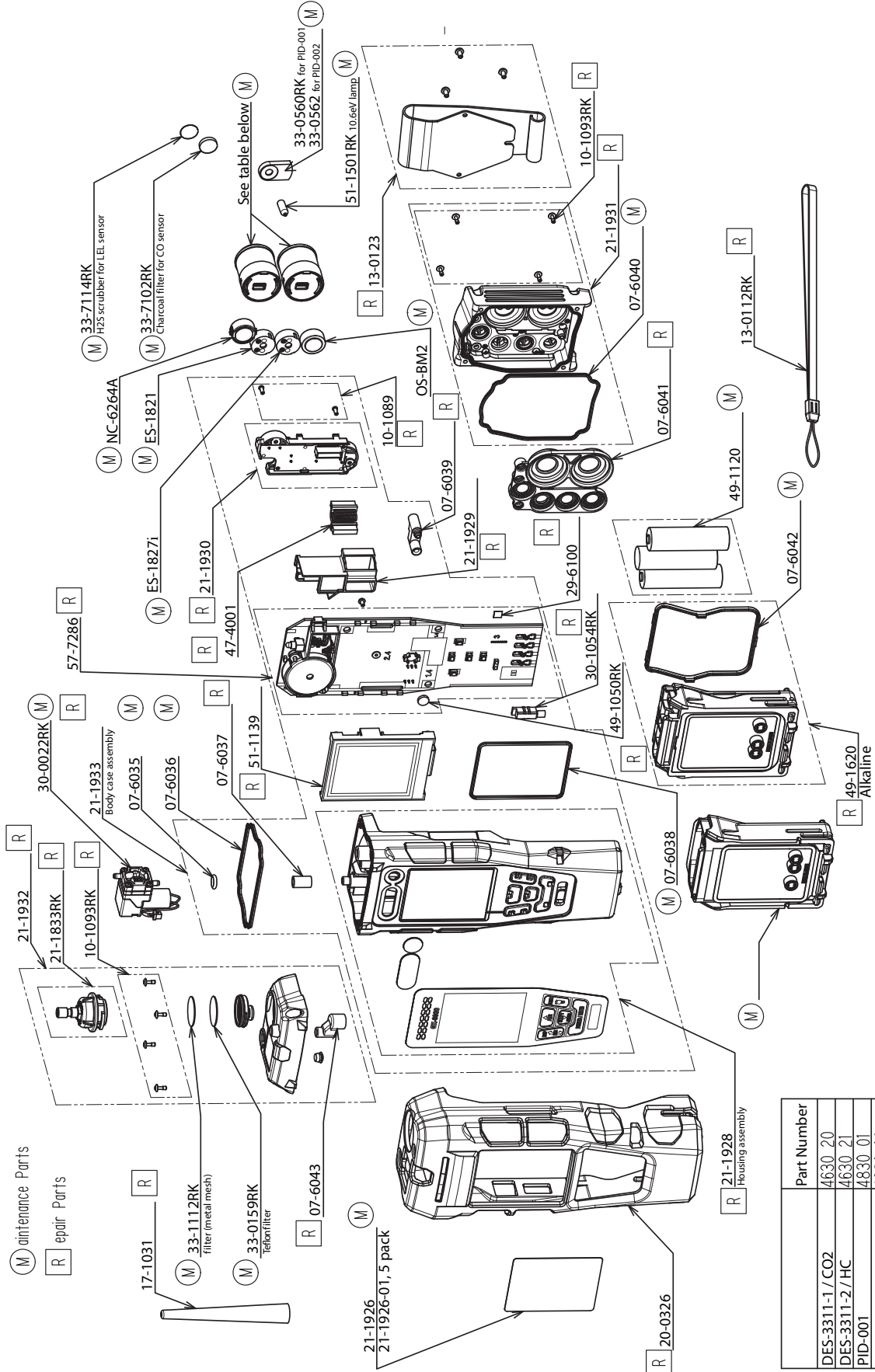
Premier Portable Instruments

SDM-6000 Calibration Gas and Hardware

Part#	Description	Suggested Retail
81-0143RK-04	Cylinder, isobutylene 100 ppm / H2S 25 ppm / CO 50 ppm / CH4 50% LEL / O2 12% in N2, 34AL	220.00
81-0143RK-02	Cylinder, isobutylene 100 ppm / H2S 25 ppm / CO 50 ppm / CH4 50% LEL / O2 12% in N2, 58AL	300.00
81-0103RK-03	Cylinder, isobutylene 100 ppm in Air, 103L	155.00
81-0103RK-04	Cylinder, isobutylene 100 ppm in Air, 34AL (aluminum cylinder)	165.00
81-0103RK-01	Cylinder, isobutylene 100 ppm in Air, 34L (steel cylinder)	55.00
81-0103RK-01	Cylinder, isobutylene 100 ppm in Air, 34L (steel cylinder)	55.00
81-0012RK-01	Cylinder, Methane, 50% LEL in Air, 34L	55.00
81-0012RK-03	Cylinder, Methane, 50% LEL/Air, 103L	155.00
81-0013RK-01	Cylinder, Methane, 50% volume in N2, 34L	55.00
81-0013RK-05	Cylinder, Methane, 50% volume in N2, 58L steel	150.00
81-0182RK-04	Cylinder, NO2, 5 ppm in Air, 34AL	230.00
81-0182RK-02	Cylinder, NO2, 5 ppm in Air, 58AL	350.00
81-0185RK-04	Cylinder, Phosphine, 0.5 ppm in N2, 34AL	280.00
81-0185RK-02	Cylinder, Phosphine, 0.5 ppm in N2, 58AL	380.00
81-0142RK-04	Cylinder, SO2 5 PPM / H2S 25 ppm / CO 50 ppm / CH4 50% LEL / O2 12% in N2, 34AL	170.00
81-0142RK-02	Cylinder, SO2 5 PPM / H2S 25 ppm / CO 50 ppm / CH4 50% LEL / O2 12% in N2, 58AL	260.00
81-0170RK-04	Cylinder, SO2 5 ppm in N2, 34AL	135.00
81-0170RK-02	Cylinder, SO2 5 ppm in N2, 58AL	175.00
81-0076RK-03	Cylinder, Zero Air, 103L	155.00
81-0076RK-01	Cylinder, Zero Air, 34 L	55.00
81-1055RK	Regulator, demand flow for 17L/34L steel cylinders	280.00
06-1283RK	Tubing, teflon/polyurethane, 1/4" OD x 1/8" ID, 3', for toxic gas cal kits	12.00

Premier Portable Instruments

GX-6000 Spare Parts Call Out

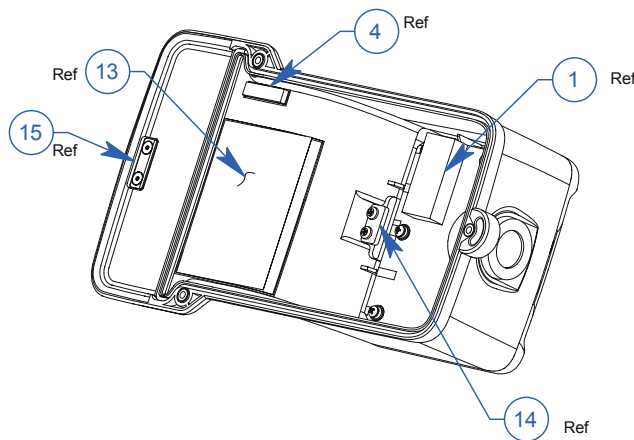
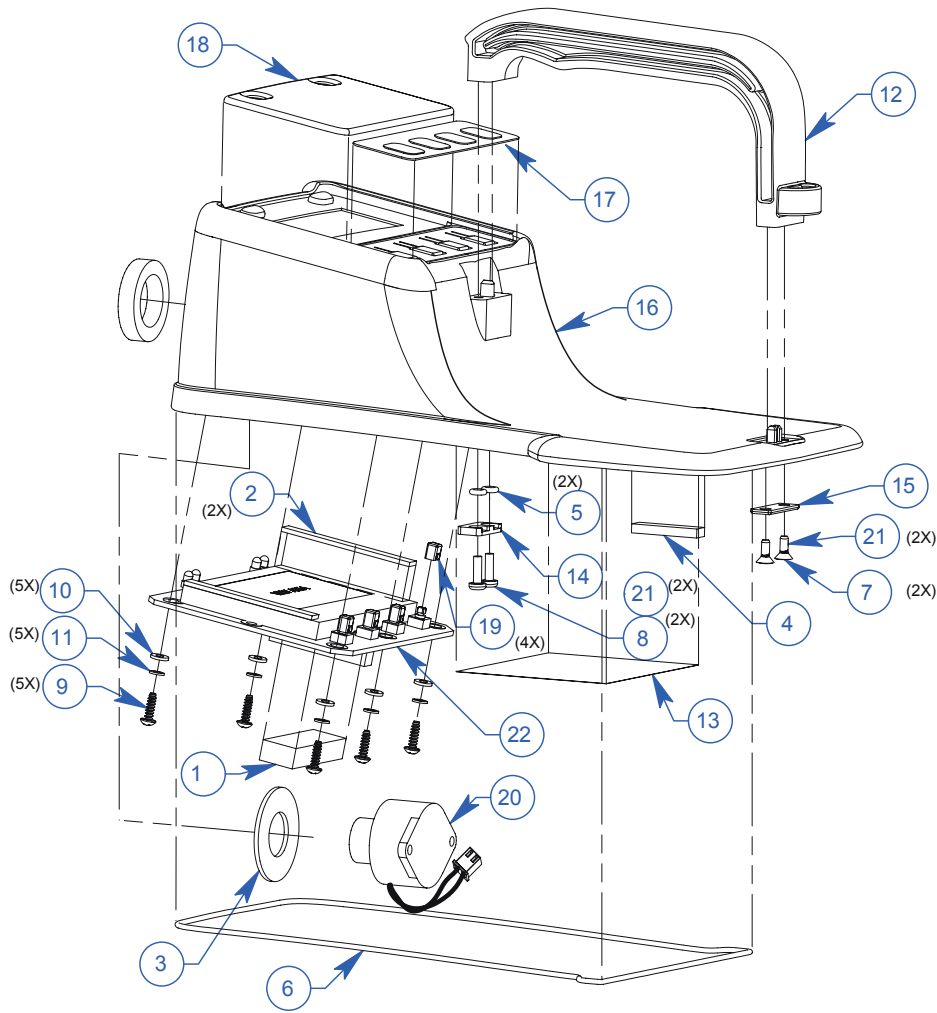


Part Number
DES-3311-1/CO2
DES-3311-2/HC
PID-001
PID-002
ESS-03DH-SO2
ESS-03DH-NO2
ESS-03DH-HCN

Portables Notes

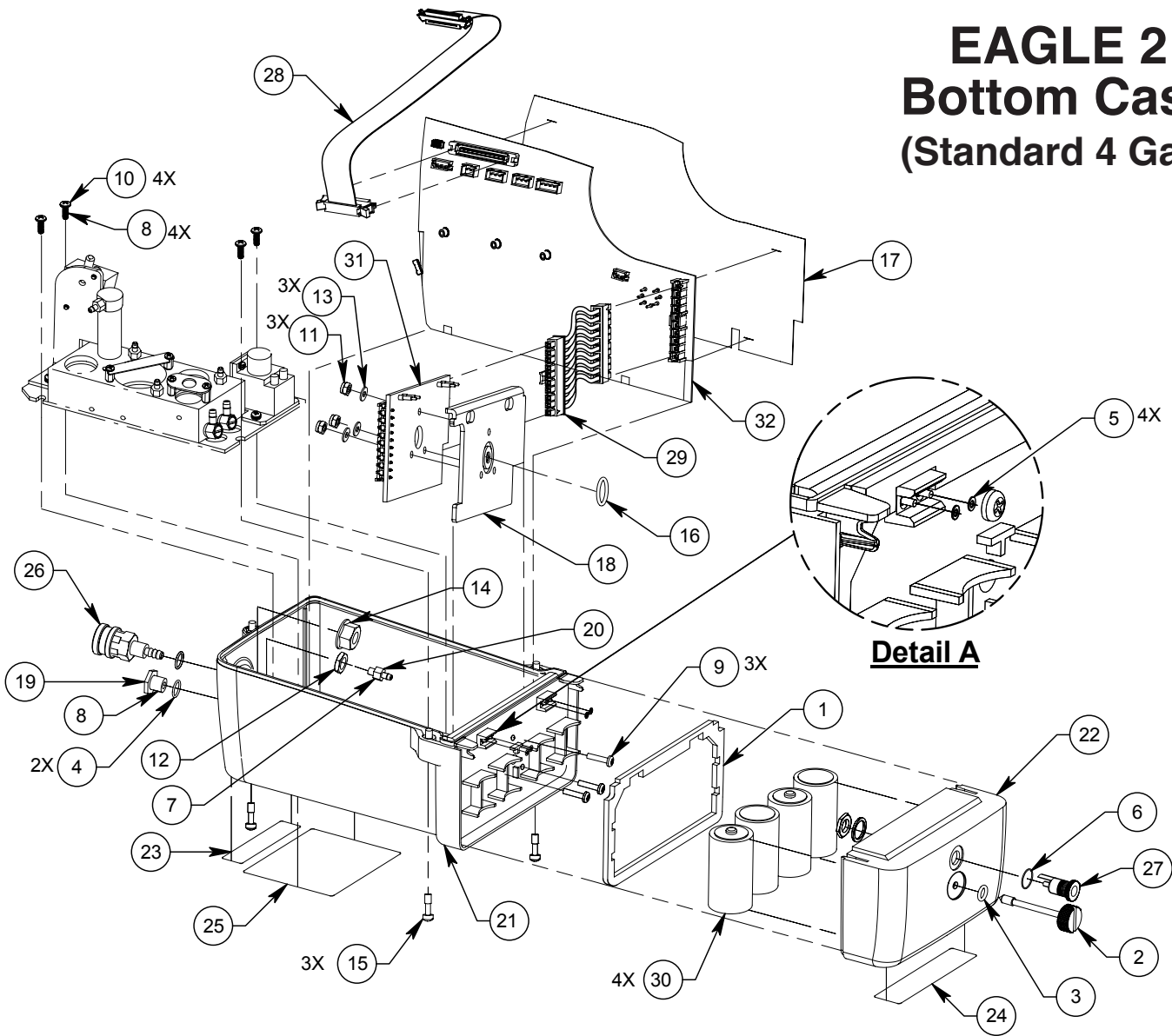
Eagle 2

EAGLE 2 Top Case (Standard 4 Gas)



	Part Number
1	07-0017RK
2	07-0132RK
3	07-0133RK
4	07-0134RK
5	07-7005RK
6	07-7070RK-50
7	10-0117RK
8	10-0119RK-01
9	10-0121RK
10	11-0220RK
11	11-0221RK
12	13-0002RK
13	14-0011RK
14	14-0050RK
15	14-0051RK
16	21-0630RK
17	29-0338RK
18	29-0339RK
19	43-0417RK-01
20	52-1019RK-01
21	08-0202RK
22	57-0103RK

EAGLE 2 Bottom Case (Standard 4 Gas)



	Part Number
1	07-0131RK
2	13-1081RK
3	07-7010RK
4	07-7300RK
5	07-7301RK
6	07-7302RK
7	08-0191RK
8	08-0202RK
9	10-0129RK-01
10	10-0194RK-05
11	110025RK
12	11-0111RK
13	11-0222RK
14	11-4021RK
15	13-1061RK
16	07-7014RK

	Part Number
17	14-0010RK
18	14-0142RK
19	17-0480RK
20	17-0633RK
21	21-0631RK-03
22	21-0642RK
23	29-0335RK
24	29-0336RK
25	29-0337RK
26	30-0522RK
27	45-2311RK
28	47-5057RK
29	47-5059RK
30	49-1130RK
31	57-0100RK
32	57-0102RK-01

EAGLE 2 Portable Series

EAGLE 2 One to Six Gas Portable

The EAGLE 2 can be ordered with up to 6 gas sensors. Please specify the gas combination when ordering. Ask factory for combinations not listed. All versions listed below are supplied with alkaline batteries, and include a hose, probe, shoulder strap, instruction manual, and product CD. All versions also include an internal hydrophobic filter as standard. For NiMH batteries, charger, or other accessories, please review the notes below for these optional accessories.

Each Instrument Price Includes the Following Items:

<u>Part#</u>	<u>Description</u>	<u>Suggested Retail</u>
13-0100RK	Shoulder Strap with RKI logo, EAGLE / EAGLE 2	
33-0173RK	Filter, internal, hydrophobic, EAGLE 2	
49-1130RK	Battery, C size, alkaline battery	
71-8003RK	Product CD, EAGLE 2, includes data downloading & maintenance software, operators manual, training video, and spare parts list	
80-0131RK-10	Probe, 10", hydrophobic, standard, with particle filter and metal fittings, EAGLE / EAGLE 2	
80-0131RK-20	Probe, 10", hydrophobic, standard, without particle filter, with metal fittings, for EAGLE 2 with PID	
80-0505RK	Hose, 5' polyurethane with fittings (standard gas versions only), EAGLE / EAGLE 2	
80-0605RK	Hose, 5' teflon lined, with fittings (PID versions only), EAGLE / EAGLE 2	



Rechargeable Batteries

The standard EAGLE 2 comes with alkaline batteries. To order with rechargeable NiMH batteries instead, order the batteries and charger as a separate line item along with your EAGLE 2 order. Please see the ACCESSORIES page for the various charger options available.

For example, use part # 49-2175RK-01 at \$140.00 list price to add NiMH batteries and an AC charger.

Data logging

Standard in all EAGLE 2 units, and the data log software is supplied free on the EAGLE 2 product CD which is shipped with each unit. A standard IrDA / USB adaptor cable is also required to download data (47-5084RK-01)

Methane Elimination Switch

All EAGLE 2 units have capability of methane elimination if calibrated to hexane. Access to the methane elimination mode is done using the Display Mode. Please specify when ordering if methane elimination will be used. The instrument will be shipped calibrated to hexane.



See a complete list of **Calibration Stations on page 52**



See a complete list of **Calibration Equipment on page 52**



See a complete list of **Replacement Sensors on page 51**

EAGLE 2 Portable Series

Calibration Notes

LEL Calibration Note

Standard factory calibration of LEL / PPM ranges is to Methane (calibration to hexane, isobutane, or other gases is optional). If planning to use the methane elimination function, calibration must be to hexane.

Please specify calibration when placing orders, if calibration to something besides methane is desired.

PID Calibration Note

Standard factory calibration of PID sensors is to Isobutylene.

Special Notes For Super toxic EAGLE 2 units

Some SUPER TOXIC gas versions have longer lead times than others. Please confirm availability of the SUPER TOXIC versions, or any versions, if delivery time is critical.

TC and CO2 Ranges

All EAGLE 2 units configured with a Thermal Conductive or Carbon Dioxide sensor will have a part number suffix, -XX, which indicates one of the available ranges:

TC and CO2 Ranges

TC Ranges

Gas	Range	Part # Suffix
H2	0 - 10 % vol	-10
H2	0 - 100 % vol	-20
CH4	0 - 100% vol	-30

CO2 Ranges

Gas	Range	Part # Suffix
CO2	0 - 10,000 ppm	-02
CO2	0 - 5.0 % vol	-03
CO2	0 - 60.0 % vol	-05

Please specify the desired suffix or range when ordering. Pricing is the same for all ranges.

Impractical Combinations

Some combinations of gases are not practical in the same EAGLE 2 due to interference issues. If you do not see the combination you want in the price list, please consult the factory. Please see below for BAD combinations (not practical) or combinations which require special attention.

Impractical Combinations

A.	H2S / PH3 or H2S / AsH3
B.	H2 / CO
C.	H2S / Cl2
D.	30% volume HC / CO
E.	PID / % vol HC IR

Special Attention Combinations

Listed below are some gas combinations that can be installed into one EAGLE 2, but that have limitations of operations that must be discussed and understood by the customer prior to purchase. Some have special filters installed for improved specificity.

Special Attention Combinations

A.	H2S / SO2
B.	H2S / NH3
C.	AsH3 / HCN
D.	AsH3 / CO
E.	SO2 / NH3
F.	HCN / H2S

EAGLE 2 Portable Series

Single Gas Models

Part#	Description	Suggested Retail
721-011	EAGLE 2 for Ammonia (NH ₃), 0 - 75 ppm	2,195.00
721-007	EAGLE 2 for Arsine (AsH ₃), 0 - 1.5 ppm	2,195.00
721-015-02	EAGLE 2 for Carbon Dioxide CO ₂ , (0 - 10,000 ppm)	2,595.00
721-015-03	EAGLE 2 for Carbon Dioxide CO ₂ , (5% volume)	2,595.00
721-015-05	EAGLE 2 for Carbon Dioxide CO ₂ , (60% volume)	2,595.00
721-006	EAGLE 2 for Chlorine (Cl ₂), 0 - 3 ppm.....	2,195.00
721-021	EAGLE 2 for Hydrocarbons (HC) 100% LEL / 30% volume (IR), autoranging	2,595.00
721-023	EAGLE 2 for Hydrogen Cyanide (HCN), 0 - 15 ppm	2,195.00
721-102-10	EAGLE 2 for Hydrogen H ₂ 10% volume, (TC)	2,245.00
721-102-20	EAGLE 2 for Hydrogen H ₂ 100% volume, (TC)	2,245.00
721-003	EAGLE 2 for Hydrogen Sulfide (H ₂ S), 0 - 100 ppm	1,945.00
721-001-TT	EAGLE 2 for LEL / PPM, Tank Tester version, float probe included	2,445.00
721-001-T	EAGLE 2 for LEL / PPM, with teflon hose, for heavy hydrocarbons (specify calibration)	2,045.00
721-001	EAGLE 2 for LEL & PPM	1,945.00
721-001-H2	EAGLE 2 for LEL & PPM (Hydrogen (H ₂) specific)	2,045.00
721-001-IR	EAGLE 2 for LEL Methane only, with IR sensor	2,595.00
721-020	EAGLE 2 for Methane (CH ₄) (100% LEL / 100% volume (IR), autoranging)	2,595.00
721-102-30	EAGLE 2 for Methane, 0 - 100% volume, (TC)	2,245.00
721-002	EAGLE 2 for O ₂ (0 - 40% volume)	1,945.00
721-002-M	EAGLE 2 for O ₂ (0 - 40% volume), marine version, with internal oil mist filter	1,975.00
721-008	EAGLE 2 for Phosphine (PH ₃), 0 - 1.0 ppm.....	2,195.00
721-005	EAGLE 2 for Sulfur Dioxide (SO ₂), 0 - 6.0 ppm	2,195.00
721-101-P2	EAGLE 2 for VOC's 0 - 2,000 ppm, (PID)	3,145.00
721-101-P1	EAGLE 2 for VOC's 0 - 50 ppm, (PID)	3,445.00

Calibration Kits

Instrument #	Cal-Kit Part #	Cal-Kit Description	Price
721-001	81-5101RK	Cal kit, EAGLE/EAGLE 2, 103L cyl 50% LEL Methane/Air, dem flow reg, case & tubing	495.00
	81-5101RK-DLV	Cal kit, EAGLE/EAGLE 2, 34L cyl 50% LEL Methane/Air, dem flow reg, case & tubing	410.00
	81-5101RK-LV	Cal kit, EAGLE, 34L cyl 50% LEL Methane/Air, disp valve, sample bag, case & tubing	185.00
721-002	81-5102RK-DLV	Cal kit, EAGLE/EAGLE 2, 34L cyl 100% Nitrogen, dem flow reg, case & tubing	410.00
	81-5102RK-LV	Cal kit, EAGLE, 34L cyl 100% N ₂ , disp valve, gas bag, case & tubing	185.00
721-101-P1	811-101-P1	Cal kit, EAGLE 2, 103L cyl 10 ppm isobutylene in air, dem flow reg, case & tubing	495.00
	811-101-P1-DLV	Cal kit, EAGLE 2, 34L cyl 10 ppm isobutylene in air, dem flow reg, case & tubing	490.00
721-101-P2	811-101-P2	Cal kit, EAGLE 2, 103L cyl 100 ppm isobutylene in air, dem flow reg, case & tubing	495.00
	811-101-P2-DLV	Cal kit, EAGLE 2, 34L cyl 100 ppm isobutylene in air, dem flow reg, case & tubing	410.00

EAGLE 2 Portable Series

Two Gas Models

Part#	Description	Suggested Retail
722-073	EAGLE 2 for CH4 (100% LEL / 100 % volume (IR) autoranging) / H2S (0 - 100 ppm)	2,795.00
722-045	EAGLE 2 for CH4 (100% LEL / 100% volume (IR) autoranging) / O2	2,795.00
722-090-05	EAGLE 2 for CH4 (100% LEL / 100% volume (IR) auto-ranging) / CO2 60% volume (IR)	3,445.00
722-117-P2	EAGLE 2 for CH4 (100% LEL / 100% volume (IR) auto-ranging) / VOC's (0 - 2,000 ppm PID)	3,995.00
722-045-05	EAGLE 2 for CH4 100% volume (IR) / O2	2,795.00
722-011	EAGLE 2 for Cl2 / NH3	2,645.00
722-029	EAGLE 2 for Cl2 / SO2	2,645.00
722-107-02-P2	EAGLE 2 for CO2 60% volume (IR) / VOC's 0 - 2,000 ppm (PID)	3,995.00
722-001-TR1	EAGLE 2 for H2 (0 - 5%) / O2, for transformer gas testing, with sample bag & dilution fitting	2,195.00
722-035	EAGLE 2 for H2S / CO	2,095.00
722-065-02	EAGLE 2 for H2S / CO2 10,000 ppm (IR)	2,795.00
722-065-03	EAGLE 2 for H2S / CO2 5% volume (IR)	2,795.00
722-065-05	EAGLE 2 for H2S / CO2 60% volume (IR)	2,795.00
722-049	EAGLE 2 for H2S / NH3	2,395.00
722-037	EAGLE 2 for H2S / SO2	2,645.00
722-109-P2	EAGLE 2 for H2S / VOC's 0 - 2,000 ppm (PID)	3,345.00
722-036	EAGLE 2 for HCN / NH3	2,645.00
722-068	EAGLE 2 for Hydrocarbons HC (100% LEL / 30% volume (IR) autoranging) / O2	2,795.00
722-114-10-20	EAGLE 2 for Hydrogen H2 10% volume (TC) / Hydrogen H2 0 - 100% volume (TC)	2,745.00
722-038	EAGLE 2 for LEL & PPM (catalytic) / CH4 (100% LEL / 100% volume (IR) autoranging)	2,795.00
722-038-H2	EAGLE 2 for LEL & PPM Hydrogen (H2 specific) (catalytic) / CH4 (100% LEL / 100% volume (IR) autoranging)	2,895.00
722-102-20-H2	EAGLE 2 for LEL & PPM (catalytic Hydrogen specific) / Hydrogen H20 - 100% volume (TC)	2,545.00
722-102-10	EAGLE 2 for LEL & PPM (catalytic) / Hydrogen H2 0 - 10% volume (TC)	2,445.00
722-102-20	EAGLE 2 for LEL & PPM (catalytic) / Hydrogen H2 0 - 100% volume (TC)	2,445.00
722-102-30	EAGLE 2 for LEL & PPM (catalytic) / Methane CH4 0 - 100% volume (TC)	2,445.00
722-112-H2	EAGLE 2 for LEL & PPM (Hydrogen (H2) specific) / CH4 100% LEL, 100% volume (IR) auto-ranging	2,895.00
722-001-H2	EAGLE 2 for LEL & PPM (Hydrogen (H2) specific) / O2	2,195.00
722-062	EAGLE 2 for LEL & PPM / AsH3	2,395.00
722-002	EAGLE 2 for LEL & PPM / CO	2,095.00
722-043-02	EAGLE 2 for LEL & PPM / CO2 10,000 ppm (IR)	2,795.00
722-043-03	EAGLE 2 for LEL & PPM / CO2 5% volume (IR)	2,795.00
722-043-05	EAGLE 2 for LEL & PPM / CO2 60% volume (IR)	2,795.00
722-003	EAGLE 2 for LEL & PPM / H2S	2,095.00
722-010	EAGLE 2 for LEL & PPM / NH3	2,395.00
722-001	EAGLE 2 for LEL & PPM / O2	2,095.00
722-001-T	EAGLE 2 for LEL & PPM / O2 with teflon hose for heavy hydrocarbons (Specify calibration)	2,195.00
722-001-TT	EAGLE 2 for LEL & PPM / O2, tank testing version, includes float probe assembly and dilution fitting	2,545.00
722-118	EAGLE 2 for LEL & PPM / SO2	2,395.00
722-101-P2	EAGLE 2 for LEL & PPM / VOC's 0 - 2,000 ppm (PID)	3,345.00
722-101-P1	EAGLE 2 for LEL & PPM / VOC's 0 - 50 ppm (PID)	3,645.00
722-101-P2-H2	EAGLE 2 for LEL & PPM Hydrogen (H2 specific) (catalytic) / VOC's (0 - 2,000 ppm, PID)	3,445.00
722-001-IR	EAGLE 2 for LEL CH4 (IR) / O2	2,795.00
722-103-10	EAGLE 2 for LEL Hydrogen (H2), 0 - 10% volume, (TC) / O2	2,445.00
722-104-IBU	EAGLE 2 for LEL Isobutane (catalytic) / Hydrocarbons HC (100% LEL / 30% volume (IR) autoranging)	2,795.00
722-108-20	EAGLE 2 for Methane (100% LEL / 100% volume (IR), autoranging) / Hydrogen (H2), 0 - 100% volume, (TC)	3,095.00
722-103-30	EAGLE 2 for Methane CH4 100% volume (TC) / O2	2,445.00
722-023-02	EAGLE 2 for NH3 / CO2 10,000 ppm (IR)	3,045.00
722-004	EAGLE 2 for O2 / CO	2,095.00
722-022-02	EAGLE 2 for O2 / CO2 10,000 ppm (IR)	2,795.00
722-022-03	EAGLE 2 for O2 / CO2 5% volume (IR)	2,795.00
722-022-05	EAGLE 2 for O2 / CO2 60% volume (IR)	2,795.00
722-005	EAGLE 2 for O2 / H2S	2,095.00
722-059	EAGLE 2 for O2 / NH3	2,395.00
722-116	EAGLE 2 for O2 / SO2	2,395.00
722-072	EAGLE 2 for SO2 / NH3	2,645.00
722-115-P2	EAGLE 2 for VOC's 0 - 2,000 ppm (PID) / AsH3	3,595.00
722-113-P2	EAGLE 2 for VOC's 0 - 2,000 ppm (PID) / PH3	3,595.00

EAGLE 2 Portable Series

Two Gas Models

<u>Part#</u>	<u>Description</u>	<u>Suggested Retail</u>
722-105-P2	EAGLE 2 for VOC's 0 - 2,000 ppm (PID) / SO2	3,645.00
722-106-P12	EAGLE 2 for VOC's 0 - 2,000 ppm (PID) / VOC's 0 - 50 ppm (PID)	4,845.00

Two Gas Models Calibration Kits

Instrument #	Cal-Kit Part #	Cal-Kit Description	Price
722-001	81-5201RK	Cal kit, EAGLE, 103L cyl CH4/CO/O2, dem flow reg, case & tubing	535.00
	81-5201RK-LV	Cal kit, EAGLE, 34L cyl CH4/CO/O2, disp valve, gas bag, case & tubing	185.00
722-002	81-5202RK	Cal kit, EAGLE, 103 L cyl CH4/CO/O2, dem flow reg, case & tubing	535.00
	81-5202RK-LV	Cal kit, EAGLE, 34L cyl CH4/CO/O2, disp valve, gas bag, case & tubing	185.00
722-003	81-5203RK	Cal kit, EAGLE, 58AL cyl H2S (25 ppm)/CO/CH4/O2, dem flow reg, case & tubing	580.00
	81-5203RK-LV	Cal kit, EAGLE, 34AL cyl H2S (25 ppm)/CO/CH4/O2, reg with gauge & knob, gas bag, case & tubing	395.00
722-101-P1	812-101-P1	Cal kit, EAGLE 2, 103L cyl 50% LEL CH4/Air, 103L cyl 10 ppm isobutylene in air, dem flow reg, case & tubing	640.00
	812-101-P1-DLV	Cal kit, EAGLE 2, 34L cyl 50% LEL CH4/Air, 34L cyl 10 ppm isobutylene/air, dem flow reg, case & tubing	465.00
722-101-P2	812-101-P2-DLV	Cal kit, EAGLE 2, 34L cyl 50% LEL CH4/Air, 34L cyl 10 ppm isobutylene in air, dem flow reg, case & tubing	465.00
	812-101-P25	Cal kit, EAGLE 2, 58AL cyl 100 ppm isobutylene/50% LEL CH4/25 ppm H2S/50 ppm CO/12% O2/N2, dem flow reg, case & tubing	615.00
	812-101-P25-DLV	Cal kit, EAGLE 2, 34AL cyl 100 ppm isobutylene/50% LEL CH4/25 ppm H2S/50 ppm CO/12% O2/N2, dem flow reg, case & tubing	555.00

EAGLE 2 Portable Series

Three Gas Models

Part#	Description	Suggested Retail
723-081	EAGLE 2 for CH4 (100% LEL / 100% volume (IR) autoranging) / CO / H2S	2,945.00
723-064	EAGLE 2 for CH4 (100% LEL / 100% volume (IR) autoranging) / H2S / NH3	3,245.00
723-106-10	EAGLE 2 for CH4 (100% LEL / 100% volume (IR) autoranging) / Hydrogen (H2) 0 - 10% volume, (TC) / O2	3,295.00
723-032	EAGLE 2 for CH4 (100% LEL / 100% volume (IR) autoranging) / O2 / CO	2,945.00
723-032-1000	EAGLE 2 for CH4 (100% LEL / 100% volume (IR) autoranging) / O2 / CO (1,000 ppm)	3,045.00
723-035-05	EAGLE 2 for CH4 (100% LEL / 100% volume (IR) autoranging) / O2 / CO2 (60%)	3,645.00
723-037	EAGLE 2 for CH4 (100% LEL / 100% volume (IR) autoranging) / O2 / H2S	2,945.00
723-109-10	EAGLE 2 for CH4 (100% LEL / 100% volume (IR) autoranging) / H2 10% volume (TC) / O2	3,295.00
723-109-20	EAGLE 2 for CH4 (100% LEL / 100% volume (IR) autoranging) / H2 100% volume (TC) / O2	3,295.00
723-079-05	EAGLE 2 for CH4 (100% LEL / 100% volume (IR) autoranging) / H2S / CO2 60% volume (IR)	3,645.00
723-111-P2	EAGLE 2 for CH4 (100% LEL / 100% volume (IR) autoranging) / O2 / VOC's 0 - 2,000 ppm (PID)	4,195.00
723-113-03	EAGLE 2 for Cl2 / NH3 / CO2 60% volume (IR)	3,495.00
723-118-02-P2	EAGLE 2 for CO / CO2 10,000 ppm (IR) / VOC's 0 - 2,000 ppm (PID)	4,195.00
723-108-P2	EAGLE 2 for H2S / VOC's 0 - 2,000 ppm (PID) / NH3	3,795.00
723-129-10	EAGLE 2 for Hydrocarbons HC (100% LEL / 30% volume (IR) autoranging) / H2 10% volume (TC) / O2	3,295.00
723-054	EAGLE 2 for Hydrocarbons HC (100% LEL / 30% volume (IR) autoranging) / O2 / H2S (0 - 100 ppm) ...	2,945.00
723-123	EAGLE 2 for Hydrocarbons HC 100% LEL, 30% volume (IR) autoranging / O2 / HCN	3,245.00
723-114-12	EAGLE 2 for Hydrogen H2 10% volume (TC) / O2 / CO2 10,000 ppm (IR)	3,295.00
723-114-23	EAGLE 2 for Hydrogen H2 100% volume (TC) / O2 / CO2 5% volume (IR)	3,295.00
723-114-25	EAGLE 2 for Hydrogen H2 100% volume (TC) / O2 / CO2 60% volume (IR)	3,295.00
723-117-20	EAGLE 2 for Hydrogen H2 100% volume (TC) / O2 / H2S	2,595.00
723-022	EAGLE 2 for LEL & PPM (catalytic) / O2 / CH4 (100% LEL / 100% volume (IR) autoranging)	2,945.00
723-107	EAGLE 2 for LEL & PPM (catalytic) / CH4 100% LEL (IR) / O2	2,945.00
723-122-05	EAGLE 2 for LEL & PPM (catalytic) / CH4 100% LEL, 100% volume (IR) autoranging / CO2 60% volume (IR)	3,645.00
723-105-02-P2	EAGLE 2 for LEL & PPM (catalytic) / CO2 10,000 ppm volume (IR) / VOC's 0 - 2,000 ppm, (PID)	4,195.00
723-103	EAGLE 2 for LEL & PPM (catalytic) / Hydrocarbons (HC) 100% LEL, 30% volume (IR), autoranging / O2	2,945.00
723-104-20	EAGLE 2 for LEL & PPM (catalytic) / Hydrogen H2 0 - 100% volume (TC) / O2	2,595.00
723-104-10	EAGLE 2 for LEL & PPM (catalytic) / Hydrogen H2 10% volume (TC) / O2	2,595.00
723-102	EAGLE 2 for LEL & PPM (catalytic) / Methane (CH4) 100% LEL, 100% volume (IR) autoranging / O2	2,945.00
723-066	EAGLE 2 for LEL & PPM (catalytic) / Methane (CH4) 100% volume (IR) / NH3	3,245.00
723-127-P2	EAGLE 2 for LEL & PPM (catalytic) / Methane (CH4) 100% volume (IR) / VOC's (0 - 2,000 ppm PID)	4,195.00
723-104-30	EAGLE 2 for LEL & PPM (catalytic) / Methane CH4 0 - 100% volume (TC) / O2	2,595.00
723-041	EAGLE 2 for LEL & PPM / Cl2 / NH3.....	2,845.00
723-029-02	EAGLE 2 for LEL & PPM / H2S / CO2 10,000 ppm (IR).....	2,945.00
723-120	EAGLE 2 for LEL & PPM / H2S / HCN	2,545.00
723-069	EAGLE 2 for LEL & PPM / H2S / NH3	2,545.00
723-116-P2	EAGLE 2 for LEL & PPM / H2S / VOC's 0 - 2,000 ppm (PID).....	3,495.00
723-128-20	EAGLE 2 for LEL & PPM / Hydrogen H2 100% volume (TC) / % Volume CH4 (IR)	3,295.00
723-126-30-P2	EAGLE 2 for LEL & PPM / Methane CH4 100% volume (TC) / VOC's (0 - 2,000 ppm PID)	3,845.00
723-008	EAGLE 2 for LEL & PPM / O2 / Cl2	2,545.00
723-002	EAGLE 2 for LEL & PPM / O2 / CO	2,245.00
723-016-02	EAGLE 2 for LEL & PPM / O2 / CO2 10,000 ppm (IR)	2,945.00
723-016-03	EAGLE 2 for LEL & PPM / O2 / CO2 5% volume (IR)	2,945.00
723-016-05	EAGLE 2 for LEL & PPM / O2 / CO2 60% volume (IR)	2,945.00
723-001	EAGLE 2 for LEL & PPM / O2 / H2S	2,245.00
723-007	EAGLE 2 for LEL & PPM / O2 / NH3	2,545.00
723-005	EAGLE 2 for LEL & PPM / O2 / PH3	2,545.00
723-115	EAGLE 2 for LEL & PPM / O2 / SO2	2,545.00
723-101-P2	EAGLE 2 for LEL & PPM / O2 / VOC's (0 - 2,000 ppm, PID)	3,495.00
723-101-P1	EAGLE 2 for LEL & PPM / O2 / VOC's (0 - 50 ppm, PID)	3,795.00
723-119-P2	EAGLE 2 for LEL & PPM / VOC's (0 - 2,000 ppm, PID) / NH3	3,795.00
723-001-H2	EAGLE 2 for LEL & PPM H2 (catalytic) / O2 / H2S	2,345.00
723-125-H2	EAGLE 2 for LEL & PPM Hydrogen H2 specific (catalytic) / CH4 (100% LEL / 100% volume (IR) autoranging) / NH3	3,345.00
723-026-02	EAGLE 2 for O2 / CO / CO2 10,000 ppm (IR)	2,945.00
723-026-03	EAGLE 2 for O2 / CO / CO2 5% volume (IR)	2,945.00
723-026-05	EAGLE 2 for O2 / CO / CO2 60% volume (IR)	2,945.00

EAGLE 2 Portable Series

Three Gas Models

Part#	Description	Suggested Retail
723-038-03	EAGLE 2 for O2 / CO2 5% volume (IR) / SO2	3,245.00
723-025-05	EAGLE 2 for O2 / CO2 60% volume (IR) / NH3	3,245.00
723-071-03	EAGLE 2 for O2 / H2S / CO2 5% volume (IR)	2,945.00
723-071-05	EAGLE 2 for O2 / H2S / CO2 60% volume (IR)	2,945.00
723-030	EAGLE 2 for O2 / H2S / NH3	2,545.00
723-110-P2	EAGLE 2 for O2 / H2S / VOC's 0 - 2,000 ppm (PID)	3,495.00
723-110-P1	EAGLE 2 for O2 / H2S / VOC's 0 - 50 ppm (PID)	3,795.00
723-124-P1	EAGLE 2 for O2 / VOC's 0 - 50 ppm (PID) / NH3	4,095.00

Three Gas Models Calibration Kits

Instrument #	Cal-Kit Part #	Cal-Kit Description	Price
723-001	81-5301RK	Cal kit, EAGLE, 58AL cyl H2S/CO/CH4/O2, dem flow reg, case & tubing	580.00
	81-5301RK-LV	Cal kit, EAGLE, 34AL cyl H2S/CO/CH4/O2, reg with gauge & knob, gas bag, case & tubing	395.00
723-002	81-5302RK	Cal kit, EAGLE, 103L cyl CO/CH4/O2, dem flow reg, case & tubing	535.00
	81-5302RK-LV	Cal kit, EAGLE, 34L cyl CO/CH4/O2, disp valve, gas bag, case & tubing	185.00
723-101-P1	813-101-P1	Cal kit, EAGLE 2, 103L cyl 50 ppm CO/50% LEL CH4/12% O2/N2, 103L cyl 10 ppm isobutylene in air, dem flow reg, case & tubing	670.00
	813-101-P1-DLV	Cal kit, EAGLE 2, 34L cyl 50 ppm CO/50% LEL CH4/12% O2/N2, 34L cyl 10 ppm isobutylene in air, dem flow reg, case & tubing	465.00
723-101-P2	813-101-P2	Cal kit, EAGLE 2, 103L cyl 50 ppm CO/50% LEL CH4/12% O2/N2, 103L cyl 100 ppm isobutylene in air, dem flow reg, case & tubing	690.00
	813-101-P2-DLV	Cal kit, EAGLE 2, 34L cyl 50 ppm CO/50% LEL CH4/12% O2/N2, 34L cyl 100 ppm isobutylene in air, dem flow reg, case & tubing	465.00

EAGLE 2 Portable Series

Four Gas Models

Part#	Description	Suggested Retail
724-129-P2-H2	EAGLE 2 for CAT H2 specific / O2 / VOC (PID 0 - 2,000 ppm) / HCN	3,945.00
724-145-10-P2	EAGLE 2 for CH4 (100% LEL / 100% volume (IR) autoranging) / H2 10% volume (TC) / O2 / VOC's 0 - 2,000 ppm, (PID)	4,695.00
724-144-05	EAGLE 2 for CH4 (100% LEL / 100% volume (IR) autoranging) / H2S / NH3 / CO2 60% volume (IR)	4,095.00
724-113-25	EAGLE 2 for CH4 (100% LEL / 100% volume (IR) autoranging) / Hydrogen H2 100% volume (TC) / O2 / CO2 60% volume (IR)	4,145.00
724-059-02	EAGLE 2 for CH4 (100% LEL / 100% volume (IR) autoranging) / O2 / CO / CO2 10,000 ppm (IR)	3,795.00
724-059-03	EAGLE 2 for CH4 (100% LEL / 100% volume (IR) autoranging) / O2 / CO / CO2 5% volume (IR)	3,795.00
724-059-05	EAGLE 2 for CH4 (100% LEL / 100% volume (IR) autoranging) / O2 / CO / CO2 60% volume (IR)	3,795.00
724-051	EAGLE 2 for CH4 (100% LEL / 100% volume (IR) autoranging) / O2 / CO / H2S	3,095.00
724-142-P2	EAGLE 2 for CH4 (100% LEL / 100% volume (IR) autoranging) / O2 / H2S / VOC's (0 - 2,000 ppm PID) ...	4,345.00
724-068-03	EAGLE 2 for CH4 (100% LEL / 100% volume (IR) autoranging) / O2 / HS / CO2 5% volume (IR)	3,795.00
724-068-05	EAGLE 2 for CH4 (100% LEL / 100% volume (IR) autoranging) / O2 / HS / CO2 60% volume (IR)	3,795.00
724-001-IR-CAT	EAGLE 2 for CH4 % LEL (IR) / O2 / H2S / CO, inert mode for catalyst applications	3,145.00
724-132-05-P2	EAGLE 2 for CH4 100% volume (IR) / O2 / CO2 60% vol (IR) / VOC's 0 - 2,000 ppm (PID).....	5,045.00
724-133-P2	EAGLE 2 for H2S / VOC's (0 - 2,000 ppm, PID) / SO2 / NH3	4,245.00
724-133-P1	EAGLE 2 for H2S / VOC's (0 - 50 ppm, PID) / SO2 / NH3.....	4,545.00
724-087	EAGLE 2 for Hydrocarbons HC 100% LEL (IR)/ O2 / CO / H2S	3,095.00
724-131-P2	EAGLE 2 for Hydrocarbons HC 100% LEL, 30% volume (IR), autoranging / O2 / VOC's (0 - 2,000 ppm, PID)	4,345.00
724-104-05-P2	EAGLE 2 for LEL / % volume CH4 (IR) autoranging / O2 / CO2 60% volume (IR) / VOC's 0 - 2,000 ppm, (PID)	5,045.00
724-110-H2	EAGLE 2 for LEL & PPM H2 specific (catalytic) / CH4 (100% LEL / 100% volume (IR) autoranging) / O2 / H2S	3,195.00
724-138-05-H2	EAGLE 2 for LEL & PPM H2 specific (catalytic) / CH4 (100% LEL / 100% volume (IR) autoranging) / O2 / CO2 60% vol (IR)	3,895.00
724-141-03-P2	EAGLE 2 for LEL & PPM (catalytic) / CH4 (100% LEL / 100% volume (IR) autoranging) / CO2 5% volume (IR) / VOC's (0 - 2,000 ppm PID)	5,045.00
724-116-P2	EAGLE 2 for LEL & PPM (catalytic) / CH4 (100% LEL / 100% volume (IR) autoranging) / O2 / VOC's (0 - 2,000 ppm PID)	4,345.00
724-074-03	EAGLE 2 for LEL & PPM (catalytic) / CH4 (100% LEL / 100% volume (IR) autoranging) / O2 / CO2 5% volume (IR)	3,795.00
724-074-05	EAGLE 2 for LEL & PPM (catalytic) / CH4 (100% LEL / 100% volume (IR) autoranging) / O2 / CO2 60% volume (IR)	3,795.00
724-042	EAGLE 2 for LEL & PPM (catalytic) / CH4 (100% LEL / 100% volume (IR) autoranging) / O2 / H2S	3,095.00
724-130-10-P2	EAGLE 2 for LEL & PPM (catalytic) / Hydrogen H2 100% volume (TC) / O2 / VOC's (0 - 2,000 ppm, PID)	3,995.00
724-103-32	EAGLE 2 for LEL & PPM (catalytic) / Methane CH4 100% volume (TC) / O2 / CO2 10,000 ppm (IR)	3,445.00
724-103-33	EAGLE 2 for LEL & PPM (catalytic) / Methane CH4 100% volume (TC) / O2 / CO2 5% volume (IR)	3,445.00
724-103-35	EAGLE 2 for LEL & PPM (catalytic) / Methane CH4 100% volume (TC) / O2 / CO2 60% volume (IR)	3,445.00
724-107-30	EAGLE 2 for LEL & PPM (catalytic) / Methane CH4 100% volume (TC) / O2 / H2S	2,745.00
724-041-1000	EAGLE 2 for LEL & PPM (catalytic) / O2 / CO (1,000 ppm) / CH4 (100% LEL / 100% volume (IR) autoranging).....	3,195.00
724-041	EAGLE 2 for LEL & PPM (catalytic) / O2 / CO / CH4 (100% LEL / 100% volume (IR) autoranging)	3,095.00
724-140	EAGLE 2 for LEL & PPM / CO / NH3 / SO2	2,995.00
724-055-03	EAGLE 2 for LEL & PPM / H2S / CO / CO2 5% volume (IR)	3,095.00
724-054	EAGLE 2 for LEL & PPM / H2S / CO / NH3	2,695.00
724-028-02	EAGLE 2 for LEL & PPM / H2S / CO2 10,000 ppm (IR) / NH3	3,395.00
724-112-02-P2	EAGLE 2 for LEL & PPM / H2S / CO2 10,000 ppm (IR) / VOC's 0 - 2,000 ppm (PID)	4,345.00
724-085	EAGLE 2 for LEL & PPM / O2 / CO / AsH3 (0 - 1.5 ppm)	2,695.00
724-005	EAGLE 2 for LEL & PPM / O2 / CO / Cl2	2,695.00
724-016-02	EAGLE 2 for LEL & PPM / O2 / CO / CO2 10,000 ppm (IR)	3,095.00
724-016-03	EAGLE 2 for LEL & PPM / O2 / CO / CO2 5% volume (IR)	3,095.00
724-016-05	EAGLE 2 for LEL & PPM / O2 / CO / CO2 60% volume (IR)	3,095.00
724-052	EAGLE 2 for LEL & PPM / O2 / CO / HCN.....	2,695.00
724-012	EAGLE 2 for LEL & PPM / O2 / CO / NH3.....	2,695.00
724-027	EAGLE 2 for LEL & PPM / O2 / CO / PH3	2,695.00
724-003	EAGLE 2 for LEL & PPM / O2 / CO / SO2	2,695.00
724-102-P2	EAGLE 2 for LEL & PPM / O2 / CO / VOC's (0 - 2,000 ppm, PID)	3,645.00
724-102-P1	EAGLE 2 for LEL & PPM / O2 / CO / VOC's (0 - 50 ppm, PID)	3,945.00

EAGLE 2 Portable Series

Four Gas Models

Part#	Description	Suggested Retail
724-111-02-P1	EAGLE 2 for LEL & PPM / O2 / CO2 10,000 ppm (IR) / VOC's (0 - 50 ppm, PID)	3,945.00
724-104-02-P2	EAGLE 2 for LEL & PPM / O2 / CO2 10,000 ppm (IR) / VOC's 0 - 2,000 ppm, (PID).....	5,045.00
724-053-03	EAGLE 2 for LEL & PPM / O2 / CO2 5% volume (IR) / SO2	3,395.00
724-111-03-P1	EAGLE 2 for LEL & PPM / O2 / CO2 5% volume (IR) / VOC's (0 - 50 ppm, PID)	3,945.00
724-111-05-P2	EAGLE 2 for LEL & PPM / O2 / CO2 60% volume (IR) / VOC's 0 - 2,000 ppm (PID).....	4,345.00
724-001	EAGLE 2 for LEL & PPM / O2 / H2S / CO	2,395.00
724-001-TT	EAGLE 2 for LEL & PPM / O2 / H2S / CO, Tank Tester version (with float probe & dilution fitting)	2,845.00
724-001-T	EAGLE 2 for LEL & PPM / O2 / H2S / CO, Teflon lined hose & internal tubing (specify calibration)	2,495.00
724-039-02	EAGLE 2 for LEL & PPM / O2 / H2S / CO2 10,000 ppm (IR).....	3,095.00
724-039-03	EAGLE 2 for LEL & PPM / O2 / H2S / CO2 5% volume (IR)	3,095.00
724-039-05	EAGLE 2 for LEL & PPM / O2 / H2S / CO2 60% volume (IR)	3,095.00
724-010	EAGLE 2 for LEL & PPM / O2 / H2S / NH3	2,695.00
724-002	EAGLE 2 for LEL & PPM / O2 / H2S / SO2	2,695.00
724-101-P2	EAGLE 2 for LEL & PPM / O2 / H2S / VOC's (0 - 2,000 ppm, PID)	3,645.00
724-101-P1	EAGLE 2 for LEL & PPM / O2 / H2S / VOC's (0 - 50 ppm, PID).....	3,945.00
724-048-02	EAGLE 2 for LEL & PPM / O2 / NH3 / CO2 10,000 ppm (IR)	3,395.00
724-048-03	EAGLE 2 for LEL & PPM / O2 / NH3 / CO2 5% volume (IR)	3,395.00
724-108-P2	EAGLE 2 for LEL & PPM / O2 / VOC's 0 - 2,000 ppm (PID) / NH3	3,945.00
724-128-P2	EAGLE 2 for LEL & PPM / O2 / VOC's 0 - 2,000 ppm (PID) / PH3.....	3,945.00
724-114-P2	EAGLE 2 for LEL & PPM / VOC's (0 - 2,000 ppm, PID) / Cl2 / NH3	4,245.00
724-137-02-H2	EAGLE 2 for LEL & PPM H2 specific (catalytic) / CH4 (100% LEL / 100% volume (IR) autoranging) / CO2 10,000 ppm (IR) / NH3	4,195.00
724-136-H2	EAGLE 2 for LEL & PPM H2 specific (catalytic) / CH4 (100% LEL / 100% volume (IR) autoranging) / O2 / NH3	3,495.00
724-130-20-P2	EAGLE 2 for LEL & PPM H2 specific (catalytic) / Hydrogen H2 100% volume (TC) / O2 / VOC's (0 - 2,000 ppm, PID)	3,995.00
724-103-22	EAGLE 2 for LEL & PPM H2 specific (catalytic) / Hydrogen H2 100% volume (TC) / O2 / CO2 10,000 ppm (IR)	3,445.00
724-103-25	EAGLE 2 for LEL & PPM H2 specific (catalytic) / Hydrogen H2 100% volume (TC) / O2 / CO2 60% volume (IR)	3,445.00
724-001-H2	EAGLE 2 for LEL & PPM H2 specific (catalytic) / O2 / H2S / CO	2,495.00
724-001-IR	EAGLE 2 for LEL CH4 (IR) / O2 / H2S / CO	3,095.00
724-106-35	EAGLE 2 for Methane CH4 100% volume (TC) / O2 / H2S / CO2 60% volume (IR)	3,445.00
724-105-P2	EAGLE 2 for O2 / CO / VOC's (0 - 2,000 ppm, PID) / SO2	3,945.00
724-135-03-P2	EAGLE 2 for O2 / CO2 5% volume (IR) / VOC's (0 - 2,000 ppm, PID) / SO2	4,645.00
724-115	EAGLE 2 for O2 / H2S / CO / SO2	2,695.00

Four Gas Models Calibration Kits

Instrument #	Cal-Kit Part #	Cal-Kit Description	Price
724-001	81-5401RK	Cal kit, EAGLE, 58AL cyl H2S (25 ppm)/CO/CH4/O2, dem flow reg, case & tubing	580.00
	81-5401RK-LV	Cal kit, EAGLE, 34AL cyl H2S (25 ppm)/CO/CH4/O2, reg with gauge & knob, gas bag, case & tubing	395.00
724-101-P1	814-101-P1	Cal kit, EAGLE 2, 58AL cyl H2S/CO/CH4/O2, 103L cyl 10 ppm isobutylene in air, dem flow reg, case & tubing	725.00
	814-101-P1-DLV	Cal kit, EAGLE 2, 34AL cyl H2S/CO/CH4/O2, 34AL cyl 10 ppm isobutylene in air, dem flow reg, case & tubing	630.00
724-101-P2	814-101-P25	Cal kit, EAGLE 2, 58AL cyl 100 ppm isobutylene/25 ppm H2S/50 ppm CO/50% LEL CH4/12% O2/N2, dem flow reg, case & tubing	615.00
	814-101-P25-DLV	Cal kit, EAGLE 2, 34AL cyl 100 ppm isobutylene/25 ppm H2S/50 ppm CO/50% LEL CH4/12% O2/N2, dem flow reg, case & tubing	555.00

EAGLE 2 Portable Series

Five Gas Models

Part#	Description	Suggested Retail
725-107-05-P2	EAGLE 2 for CH4 (100% LEL / 100% volume (IR) autoranging) / O2 / CO / CO2 60% volume (IR) / VOC's (0 - 2,000 ppm, PID)	5,195.00
725-106-05	EAGLE 2 for CH4 (100% LEL / 100% volume (IR) autoranging) / O2 / H2S / CO / CO2 60% volume (IR)...	3,945.00
725-134	EAGLE 2 for CH4 (100% LEL / 100% volume (IR) autoranging) / O2 / H2S / CO / SO2.....	3,545.00
725-108-P2	EAGLE 2 for CH4 (100% LEL / 100% volume (IR) autoranging) / O2 / H2S / CO / VOC's (0 - 2,000 ppm, PID)	4,495.00
725-133-05-P2	EAGLE 2 for CH4 (100% LEL / 100% volume (IR) autoranging) / O2 / H2S / CO2 60% vol (IR) / VOC's 0 - 2,000 ppm (PID)	5,195.00
725-107-03-P2	EAGLE 2 for CH4 (100% LEL / 100% volume (IR) autoranging) / O2 / CO / CO2 5% volume (IR) / VOC's 0 - 2,000 ppm, (PID)	5,195.00
725-106-02	EAGLE 2 for CH4 (100% LEL / 100% volume (IR) autoranging) / O2 / H2S / CO / CO2 (IR 0 - 10,000 ppm)	3,945.00
725-135-CAT	EAGLE 2 for CH4 (100% LEL / 100% volume (IR) autoranging) / O2 / H2S / CO / NH3, inert mode for catalyst applications	3,545.00
725-119	EAGLE 2 for CH4 (100% LEL / 100% volume (IR) autoranging) / O2 / H2S / CO / SO2	3,545.00
725-124-05	EAGLE 2 for CH4 (100% LEL / 100% volume (IR) autoranging) / O2 / H2S / CO2 60% volume (IR) / NH3	4,245.00
725-148-1000-01	EAGLE 2 for CH4 % LEL (IR) / O2 (0-100% volume) / H2S / CO (0-1,000 ppm)	3,645.00
725-145	EAGLE 2 for H2S / CO / HCN / SO2 / NH3	3,445.00
725-139-05	EAGLE 2 for Hydrocarbons (HC) 100% LEL, 30% volume (IR), autoranging / O2 / H2S / CO2 60% volume (IR)	4,645.00
723-129-10	EAGLE 2 for Hydrocarbons HC (100% LEL / 30% volume (IR) autoranging) / H2 10% volume (TC) / O2	3,295.00
725-118-P2	EAGLE 2 for Hydrocarbons HC 100% LEL (IR) / O2 / H2S / CO / VOC's 0 - 2,000 ppm (PID)	4,495.00
725-114	EAGLE 2 for LEL & PPM (catalytic) / CH4 100% LEL (IR) / O2 / H2S / CO	3,245.00
725-136	EAGLE 2 for LEL & PPM (catalytic) / CH4 100% LEL / 100% volume (IR) autoranging / O2 / CO / NH3 ...	3,545.00
725-147-P2	EAGLE 2 for LEL & PPM (catalytic) / CH4 100% LEL / 100% volume (IR) autoranging / O2 / VOC's (0 - 2,000 ppm PID) / NH3	4,795.00
725-147-P1	EAGLE 2 for LEL & PPM (catalytic) / CH4 100% LEL / 100% volume (IR) autoranging / O2 / VOC's (0 - 50 ppm, PID) / NH3	5,095.00
725-153-25	EAGLE 2 for LEL & PPM (catalytic) / Hydrogen H2 100% volume (TC) / O2 / H2S / CO2 60% volume (IR)	3,995.00
725-127-10-P2	EAGLE 2 for LEL & PPM (catalytic) / Hydrogen H2 100% volume (TC) / O2 / H2S / VOC's 0 - 2,000 ppm (PID)	4,145.00
725-110-35	EAGLE 2 for LEL & PPM (catalytic) / Methane CH4 100% volume (TC) / O2 / CO / CO2 60% volume (IR)	3,595.00
725-131-35-P2	EAGLE 2 for LEL & PPM (catalytic) / Methane CH4 100% volume (TC) / O2 / CO2 60% volume (IR) / VOC's (0 - 2,000 ppm, PID)	4,845.00
725-113-32	EAGLE 2 for LEL & PPM (catalytic) / Methane CH4 100% volume (TC) / O2 / H2S / CO2 10,000 ppm (IR)	3,595.00
725-113-35	EAGLE 2 for LEL & PPM (catalytic) / Methane CH4 100% volume (TC) / O2 / H2S / CO2 60% volume (IR)	3,595.00
725-105-30	EAGLE 2 for LEL & PPM / CH4 100% volume (TC) / O2 / H2S / CO	2,895.00
725-109-25-P2	EAGLE 2 for LEL & PPM / H2 100% volume (TC) / O2 / CO2 60% volume (IR) / VOC's 0 - 2,000 ppm, (PID)	4,845.00
725-125-05	EAGLE 2 for LEL & PPM / H2S / CO / CO2 60% volume (IR) / NH3	3,545.00
725-006	EAGLE 2 for LEL & PPM / O2 / CO / Cl2 / NH3.....	3,145.00
725-122-02	EAGLE 2 for LEL & PPM / O2 / CO / CO2 10,000 ppm (IR) / SO2	3,545.00
725-103-02-P1	EAGLE 2 for LEL & PPM / O2 / CO / CO2 10,000 ppm (IR) / VOC's (0 - 50 ppm, PID)	4,795.00
725-103-02-P2	EAGLE 2 for LEL & PPM / O2 / CO / CO2 10,000 ppm (IR) / VOC's 0 - 2,000 ppm, (PID).....	4,495.00
725-020-03	EAGLE 2 for LEL & PPM / O2 / CO / CO2 5% volume (IR) / NH3	3,545.00
725-122-03	EAGLE 2 for LEL & PPM / O2 / CO / CO2 5% volume (IR) / SO2	3,545.00
725-103-03-P1	EAGLE 2 for LEL & PPM / O2 / CO / CO2 5% volume (IR) / VOC's (0 - 50 ppm, PID)	4,795.00
725-103-03-P2	EAGLE 2 for LEL & PPM / O2 / CO / CO2 5% volume (IR) / VOC's 0 - 2,000 ppm, (PID)	4,495.00
725-103-05-P1	EAGLE 2 for LEL & PPM / O2 / CO / CO2 60% volume (IR) / VOC's (0 - 50 ppm, PID).....	4,795.00
725-103-05-P2	EAGLE 2 for LEL & PPM / O2 / CO / CO2 60% volume (IR) / VOC's 0 - 2,000 ppm, (PID)	4,495.00
725-033	EAGLE 2 for LEL & PPM / O2 / CO / HCN / NH3	3,145.00
725-028	EAGLE 2 for LEL & PPM / O2 / CO / NH3 / PH3	3,145.00
725-102-P2	EAGLE 2 for LEL & PPM / O2 / CO / VOC's (0 - 2,000 ppm PID) / HCN	4,095.00
725-102-P1	EAGLE 2 for LEL & PPM / O2 / CO / VOC's (0 - 50 ppm PID) / HCN.....	4,395.00
725-121-P2	EAGLE 2 for LEL & PPM / O2 / CO / VOC's 0 - 2,000 ppm (PID) / Cl2	4,095.00
725-120-P2	EAGLE 2 for LEL & PPM / O2 / CO / VOC's 0 - 2,000 ppm (PID) / NH3	4,095.00
725-112-P2	EAGLE 2 for LEL & PPM / O2 / CO / VOC's 0 - 2,000 ppm (PID) / PH3.....	4,095.00
725-121-P1	EAGLE 2 for LEL & PPM / O2 / CO / VOC's 0 - 50 ppm (PID) / Cl2	4,395.00
725-120-P1	EAGLE 2 for LEL & PPM / O2 / CO / VOC's 0 - 50 ppm (PID) / NH3	4,395.00
725-132-02	EAGLE 2 for LEL & PPM / O2 / CO2 10,000 ppm (IR) / Cl2 / NH3	3,845.00
725-128-02-P2	EAGLE 2 for LEL & PPM / O2 / CO2 10,000 ppm volume (IR) / VOC's 0 - 2,000 ppm, (PID) / NH3.....	4,795.00

EAGLE 2 Portable Series

Five Gas Models

Part#	Description	Suggested Retail
725-132-03	EAGLE 2 for LEL & PPM / O2 / CO2 5% volume (IR) / Cl2 / NH3	3,845.00
725-004-02	EAGLE 2 for LEL & PPM / O2 / H2S / CO / CO2 10,000 ppm (IR)	3,245.00
725-004-03	EAGLE 2 for LEL & PPM / O2 / H2S / CO / CO2 5% volume (IR)	3,245.00
725-048-03	EAGLE 2 for LEL & PPM / O2 / H2S / CO / CO2 5% volume (IR) / HCN	3,545.00
725-004-05	EAGLE 2 for LEL & PPM / O2 / H2S / CO / CO2 60% volume (IR)	3,245.00
725-011	EAGLE 2 for LEL & PPM / O2 / H2S / CO / HCN	2,845.00
725-003	EAGLE 2 for LEL & PPM / O2 / H2S / CO / NH3	2,845.00
725-001	EAGLE 2 for LEL & PPM / O2 / H2S / CO / SO2	2,845.00
725-101-P2	EAGLE 2 for LEL & PPM / O2 / H2S / CO / VOC's (0 - 2,000 ppm PID)	3,795.00
725-101-P1	EAGLE 2 for LEL & PPM / O2 / H2S / CO / VOC's (0 - 50 ppm, PID)	4,095.00
725-023-02	EAGLE 2 for LEL & PPM / O2 / H2S / CO2 10,000 ppm (IR) / NH3	3,545.00
725-117-05-P2	EAGLE 2 for LEL & PPM / O2 / H2S / CO2 60% volume (IR) / VOC's 0 - 2,000 ppm (PID)	4,495.00
725-115	EAGLE 2 for LEL & PPM / O2 / H2S / HCN / SO2	3,145.00
725-123-P2	EAGLE 2 for LEL & PPM / O2 / H2S / VOC's 0 - 2,000 ppm (PID) / NH3	4,095.00
725-130-P2	EAGLE 2 for LEL & PPM / O2 / H2S / VOC's 0 - 2,000 ppm (PID) / SO2	4,095.00
725-130-P2	EAGLE 2 for LEL & PPM / O2 / H2S / VOC's 0 - 2,000 ppm (PID) / SO2	4,095.00
725-150-P2	EAGLE 2 for LEL & PPM / O2 / VOC's 0 - 2,000 ppm (PID) / NH3 / SO2	4,395.00
725-142-P2	EAGLE 2 for LEL & PPM / O2 / VOC's 0 - 2,000 ppm (PID) / PH3 / NH3	4,395.00
725-111-03	EAGLE 2 for LEL & PPM H2 (catalytic) / CH4 (100% LEL / 100% volume (IR) autoranging) / O2 / H2S / CO2 5% volume (IR)	3,945.00
725-111-05	EAGLE 2 for LEL & PPM H2 (catalytic) / CH4 (100% LEL / 100% volume (IR) autoranging) / O2 / H2S / CO2 60% volume (IR)	3,945.00
725-144-05-H2	EAGLE 2 for LEL & PPM H2 specific (catalytic) / CH4 100% LEL / 100% volume (IR) autoranging / O2 / H2S / CO2 60% volume (IR)	4,045.00
725-152-02-H2	EAGLE 2 for LEL & PPM H2 specific (catalytic) / LEL CH4 (IR) / O2 / H2S / CO2 10,000 ppm (IR)	4,045.00
725-154-03-H2	EAGLE 2 for LEL & PPM Hydrogen (H2 specific) (catalytic) / CH4 (100% LEL / 100% volume (IR) autoranging) / O2 / CO2 5% volume (IR) / NH3	4,345.00
725-128-02-P2H2	EAGLE 2 for LEL & PPM Hydrogen (H2 specific) / O2 / CO2 10,000 ppm volume (IR) / VOC's 0 - 2,000 ppm, (PID) / NH3	4,895.00
725-104-35-P2	EAGLE 2 for Methane CH4 100% volume (TC) / O2 / H2S / CO2 60% volume (IR) / VOC's 0 - 2,000 ppm, (PID)	4,845.00
725-143-03-P1	EAGLE 2 for O2 / CO / CO2 5% volume (IR) / VOC's (0 - 50 ppm, PID) / SO2	5,095.00

Five Gas Models Calibration Kits

Instrument #	Cal-Kit Part #	Cal-Kit Description	Price
725-001	815-001	Cal kit, EAGLE 2, 58AL cyl SO2/H2S/CO/CH4/O2, dem flow reg, case & tubing	575.00
	815-001-DLV	Cal kit, EAGLE 2, 34AL cyl SO2/H2S/CO/CH4/O2, dem flow reg, case & tubing	525.00
725-101-P1	815-101-P1	Cal kit, EAGLE 2, 58AL cyl H2S/CO/CH4/O2, 103L cyl 10 ppm isobutylene in air, dem flow reg, case & tubing	725.00
	815-101-P1-DLV	Cal kit, EAGLE 2, 34AL cyl H2S/CO/CH4/O2, 34AL cyl 10 ppm isobutylene in air, dem flow reg, case & tubing	655.00
725-101-P2	815-101-P2	Cal kit, EAGLE 2, 58AL cyl H2S/CO/CH4/O2, 103L cyl 100 ppm isobutylene in air, dem flow reg, case & tubing	735.00
	815-101-P2-DLV	Cal kit, EAGLE 2, 34AL cyl H2S/CO/CH4/O2, 34AL cyl 100 ppm isobutylene in air, dem flow reg, case & tubing	685.00
725-102-P1	815-102-P1	Cal kit, EAGLE 2, 103L cyl LEL/O2/CO, 103L cyl 10 ppm isobutylene/air, 103L cyl 10 ppm HCN/N2, dem flow reg, case & tubing	950.00
	815-102-P1-DLV	Cal kit, EAGLE 2, 34L cyl LEL/O2/CO, 34L cyl 10 ppm isobutylene/air, 34AL cyl 10 ppm HCN/N2, dem flow reg, case & tubing	465.00

EAGLE 2 Portable Series

Six Gas Models

Part#	Description	Suggested Retail
726-120-02	EAGLE 2 for CH4 (100% LEL / 100% volume (IR) autoranging) / O2 / H2S / CO / CO2 10,000 ppm (IR) / NH3	4,395.00
726-119-02	EAGLE 2 for CH4 (100% LEL / 100% volume (IR) autoranging) / O2 / H2S / CO / CO2 10,000 ppm (IR) / SO2	4,395.00
726-130	EAGLE 2 for CH4 (100% LEL / 100% volume (IR) autoranging) / O2 / H2S / CO / SO2 / NH3	3,995.00
726-117-P2	EAGLE 2 for CH4 (100% LEL / 100% volume (IR) autoranging) / O2 / H2S / CO / VOC's 0 - 2,000 ppm (PID) / NH3	4,945.00
726-120-05	EAGLE 2 for CH4 % LEL (IR) / O2 / H2S / CO / CO2 60% volume (IR) / NH3	4,345.00
726-110-05-P2	EAGLE 2 for CH4 100% LEL / 100% volume (IR) autoranging / O2 / CO / H2S / CO2 60% volume (IR) / VOC's 0 - 2,000 ppm, (PID)	5,345.00
726-122-P2	EAGLE 2 for Hydrocarbons HC (100% LEL / 30% volume (IR) autoranging) / O2 / H2S / CO / VOC's 0 - 2,000 ppm (PID) / SO2.....	4,945.00
726-106-02-P2	EAGLE 2 for LEL (CAT) / O2 / H2S / CO / CO2 (IR 0 - 10,000 ppm) / VOC's 0 - 2,000 ppm, (PID)	4,645.00
726-135-30	EAGLE 2 for LEL & PPM (catalytic) / Methane CH4 100% volume (TC) / O2 / H2S / CO / NH3	3,345.00
726-107-05-P2	EAGLE 2 for LEL & PPM / H2S / CO / NH3 / CO2 60% volume (IR) / VOC's 0 - 2,000 ppm, (PID)	4,945.00
726-105-35	EAGLE 2 for LEL & PPM / Methane CH4 100% volume (TC) / O2 / H2S / CO / CO2 60% volume (IR)	3,745.00
726-111-30-P2	EAGLE 2 for LEL & PPM / Methane CH4 100% volume (TC) / O2 / H2S / CO / VOC's (0 - 2,000 ppm, PID)	4,295.00
726-111-30-P1	EAGLE 2 for LEL & PPM / Methane CH4 100% volume (TC) / O2 / H2S / CO / VOC's (0 - 50 ppm, PID) ...	4,595.00
726-133	EAGLE 2 for LEL & PPM / O2 / CO / CL2 / SO2 / NH3	3,595.00
726-136-02	EAGLE 2 for LEL & PPM / O2 / CO / CO2 10,000 ppm (IR) / PH3 / NH3	3,995.00
726-127	EAGLE 2 for LEL & PPM / O2 / CO / HCN / NH3	3,595.00
726-108-P2	EAGLE 2 for LEL & PPM / O2 / CO / VOC's (0 - 2,000 ppm, PID) / Cl2 / NH3	4,545.00
726-112-P2	EAGLE 2 for LEL & PPM / O2 / CO / VOC's (0 - 2,000 ppm, PID) / HCN / NH3.....	4,545.00
726-124-P2	EAGLE 2 for LEL & PPM / O2 / CO / VOC's 0 - 2,000 ppm (PID) / NH3 / PH3	4,545.00
726-131-P2	EAGLE 2 for LEL & PPM / O2 / CO / VOC's 0 - 2,000 ppm (PID) / SO2 / NH3	4,545.00
726-116-02	EAGLE 2 for LEL & PPM / O2 / H2S / CO / CO2 10,000 ppm (IR) / HCN	3,695.00
726-016-02	EAGLE 2 for LEL & PPM / O2 / H2S / CO / CO2 10,000 ppm (IR) / SO2	3,695.00
726-106-02-P1	EAGLE 2 for LEL & PPM / O2 / H2S / CO / CO2 10,000 ppm (IR) / VOC's 0 - 50 ppm, (PID)	4,945.00
726-106-03-P2	EAGLE 2 for LEL & PPM / O2 / H2S / CO / CO2 5% volume (IR) / VOC's 0 - 2,000 ppm, (PID)	4,645.00
726-106-05-P2	EAGLE 2 for LEL & PPM / O2 / H2S / CO / CO2 60% volume (IR) / VOC's 0 - 2,000 ppm, (PID)	4,645.00
726-118	EAGLE 2 for LEL & PPM / O2 / H2S / CO / HCN / SO2	3,295.00
726-008-02	EAGLE 2 for LEL & PPM / O2 / H2S / CO / NH3 / CO2 10,000 ppm (IR)	3,695.00
726-008-03	EAGLE 2 for LEL & PPM / O2 / H2S / CO / NH3 / CO2 5% volume (IR)	3,695.00
726-017	EAGLE 2 for LEL & PPM / O2 / H2S / CO / NH3 / SO2	3,295.00
726-102-P2	EAGLE 2 for LEL & PPM / O2 / H2S / CO / NH3 / VOC's (0 - 2,000 ppm, PID)	4,245.00
726-102-P1	EAGLE 2 for LEL & PPM / O2 / H2S / CO / NH3 / VOC's (0 - 50 ppm, PID)	4,545.00
726-101-P2	EAGLE 2 for LEL & PPM / O2 / H2S / CO / SO2 / VOC's (0 - 2,000 ppm, PID)	4,245.00
726-101-P1	EAGLE 2 for LEL & PPM / O2 / H2S / CO / SO2 / VOC's (0 - 50 ppm, PID)	4,545.00
726-125-P2	EAGLE 2 for LEL & PPM / O2 / H2S / CO / VOC's (0 - 2,000 ppm, PID) / HCN	4,245.00
726-113-P12	EAGLE 2 for LEL & PPM / O2 / H2S / CO / VOC's (0 - 50 ppm, PID) / VOC's (0 - 2,000 ppm, PID)	5,495.00
726-123-P2	EAGLE 2 for LEL & PPM / O2 / H2S / VOC's 0 - 2,000 ppm (PID) / HCN / SO2	4,545.00
726-115-02	EAGLE 2 for LEL & PPM CH4 (catalytic) / CH4 (100% LEL / 100% volume (IR) autoranging) / O2 / H2S / CO / CO2 10,000 ppm (IR)	4,095.00
726-115-05	EAGLE 2 for LEL & PPM CH4 (catalytic) / CH4 (100% LEL / 100% volume (IR) autoranging) / O2 / H2S / CO / CO2 60% vol (IR)	4,095.00
726-128-P2	EAGLE 2 for LEL & PPM CH4 (catalytic) / CH4 (100% LEL / 100% volume (IR) autoranging) / O2 / H2S / VOC's 0 - 2,000 ppm (PID) / NH3	4,995.00
726-114-05-P2	EAGLE 2 for LEL & PPM H2 (catalytic) / CH4 (100% LEL / 100% volume (IR) autoranging) / O2 / H2S / CO2 60% volume (IR) / VOC's 0 - 2,000 ppm (PID).....	5,345.00
726-121-P2	EAGLE 2 for LEL & PPM H2 (catalytic) / CH4 (100% LEL / 100% volume (IR) autoranging) / O2 / H2S / CO / VOC's 0 - 2,000 ppm (PID) /	4,645.00
726-126-02	EAGLE 2 for O2 / H2S / CO / CO2 10,000 ppm (IR) / SO2 / NH3.....	3,945.00
726-109-P2	EAGLE 2 for O2 / H2S / CO / VOC's 0 - 2,000 ppm (PID) / SO2 / NH3	4,545.00

EAGLE 2 Portable Series

Replacement Sensors

NOTE: When ordering replacement sensors, it is essential to get the sensor type numbers off the old sensor, or else the incorrect sensor may be purchased. Different sensor technologies or IR ranges are not interchangeable without also changing the sub-board and possibly other hardware.



Standard 4 Gas Sensors

Part#	Description	Suggested Retail
61-0155RK	Sensor, LEL H2 only, plug-in, (NC-6244) for EAGLE 2, 35-3001, 35-3000, GD-A8/D8	250.00
65-0601RK	Sensor, Oxygen (O2) (OS-B3), for EAGLE, EAGLE 2, or RX-415	160.00
65-2005RK	Sensor, Carbon Monoxide (CO), 0 - 500 ppm range, EAGLE/EAGLE 2	195.00
ES-87RW-H2S	Sensor, Hydrogen Sulfide (H2S), 0 - 100 ppm range, EAGLE 2 standard, EAGLE marine versions	195.00
NC-6260B	Sensor, LEL / ppm, plug-in, EAGLE 2	200.00

PID and TC Sensors

Part#	Description	Suggested Retail
33-0560RK	Electrode stack for PID, 0 - 50 ppm (2 per pack)	115.00
33-0562	Electrode Stack, 0-6,000 ppm, (1 electrode) for GX-6000 PID	44.00
51-1500RK	PID replacement lamp, 0 - 50 ppm, for Ion Science PID	275.00
51-1502	Replacement lamp, 0-2000 (EAGLE 2) or 0-6000 ppm (GX-6000) PID	250.00
51-1502-01	Replacement lamp and stack set, 0-6000 ppm for Ion Science HPPM PID	290.00
61-0300RK-01	Sensor, VOC's, 0 - 50 ppm PID	1,100.00
61-0300RK-02	Sensor, VOC's, 0 - 2,000 ppm PID	940.00
TE-7568	Sensor, TE-7568, TC, Methane (CH4), 0 - 100% volume/ Hydrogen (H2), 0 - 10%/100% volume, EAGLE 2...	300.00



Infrared Sensors

Part#	Description	Suggested Retail
DEM-3313-1	Sensor, IR, Carbon Dioxide (CO2), 0 - 5% volume range	750.00
DEM-3313-2	Sensor, IR, HC, 0 - 100% LEL / 0 - 30% volume auto range	750.00
DEM-3313-3	Sensor, IR, Methane (CH4), 0 - 100% LEL & 0 - 100% volume autoranging	750.00
DEM-3313-3A	Sensor, IR, Methane (CH4), 0 - 100% volume autoranging	750.00
DEM-3313-4	Sensor, IR, Carbon Dioxide (CO2), 0 - 10,000 ppm range	750.00
DEM-3313-5	Sensor, IR, Carbon Dioxide (CO2), 0 - 60% volume range	750.00



Electrochemical Smart Toxic Sensors

Part#	Description	Suggested Retail
ESM-01DH-ASH3	Sensor, Arsine (AsH3), 0 - 1.50 ppm, ESM-01 plug-in type	195.00
ESM-01DH-D-HCN	Sensor, Hydrogen Cyanide (HCN), 0 - 15 ppm, ESM-01 plug-in type	195.00
ESM-01DH-F-SO2	Sensor, Sulfur Dioxide (SO2), 0 - 6 ppm, ESM-01 plug-in type	195.00
ESM-01DH-PH3	Sensor, Phosphine (PH3), 0 - 1.0 ppm, ESM-01 plug-in type	195.00
ESM-01DHL-HCN	Sensor, Hydrogen Cyanide (HCN), 0 - 15 ppm, ESM-01 plug-in type, for low humidity use	225.00
ESM-01R-NH3	Sensor, Ammonia (NH3), 0 - 75 ppm, ESM-01 plug-in type	195.00
ESM-K01-CL2	Sensor, Chlorine (Cl2), 0 - 3 ppm, ESM-01 plug-in type	195.00



EAGLE 2 Portable Series

SDM-E2 Calibration Station

<u>Part#</u>	<u>Description</u>	<u>Suggested Retail</u>
81-SDME2-01	Calibration station for EAGLE 2, model SDM-E2 with AC adaptor, flash drive, USB cable, tubing & installation CD	1,800.00
81-SDME2-02	Calibration station for EAGLE 2, model SDM-E2 with AC adaptor, flash drive, USB cable, tubing, installation CD, & demand flow regulator ...	2,080.00
81-SDME2-03	Calibration station for EAGLE 2, model SDM-E2 with AC adaptor, flash drive, USB cable, tubing, installation CD, demand flow regulator & 58AL cyl 25 ppm H2S/50 ppm CO/50% LEL CH4/12% O2 in N2	2,320.00
81-SDME2-08-P1	Calibration station for EAGLE 2, model SDM-E2 with AC adaptor, flash drive, USB cable, tubing, installation CD, two demand flow regulators, 58AL cyl 25 ppm H2S/50 ppm CO/50% LEL CH4/12% O2 in N2, & 103L cyl 10 ppm isobutylene in Air	2,755.00
81-SDME2-09-P2	Calibration station for EAGLE 2, model SDM-E2 with AC adaptor, flash drive, USB cable, tubing, installation CD, demand flow regulator, 58AL cyl 25 ppm H2S/50 ppm CO/50% LEL CH4/100 ppm isoButylene/12% O2 in N2	2,380.00



Calibration Equipment

<u>Part#</u>	<u>Description</u>	<u>Suggested Retail</u>
32-0031RK-01	Valve with hose barbs and sample tube for two cylinders to connect to a single calibration station gas port	110.00
33-2002RK	Humidifier, 24" Nafion tube with 1/8" hose barbs, ME-110-24BB	280.00
81-0012RK-01	Cylinder, Methane, 50% LEL in Air, 34L	55.00
81-0012RK-03	Cylinder, Methane, 50% LEL/Air, 103L	155.00
81-0064RK-01	Cylinder, CO, 50 ppm in Air, 34L	55.00
81-0064RK-03	Cylinder, CO, 50 ppm in Air, 103L	155.00
81-0071RK-01	Cylinder, CO2, 5000 ppm in N2, 34L	55.00
81-0071RK-03	Cylinder, CO2, 5000 ppm in N2, 103L	155.00
81-0072RK-01	Cylinder, CO2, 2.5% in N2, 34L	55.00
81-0072RK-03	Cylinder, CO2, 2.5% in N2, 103L	155.00
81-0090RK-01	Cylinder, CO 50 ppm / Methane 50% LEL / O2 12 % in N2, 34L	55.00
81-0090RK-03	Cylinder, CO 50 ppm / Methane 50% LEL / O2 12 % in N2, 103L	195.00
81-0103RK-01	Cylinder, isobutylene 100 ppm in Air, 34L (steel cylinder)	55.00
81-0103RK-03	Cylinder, Isobutylene 100 ppm in Air, 100/103L	155.00
81-0103RK-04	Cylinder, Isobutylene 100 ppm in Air, 34AL (aluminum cylinder)	165.00
81-0104RK-03	Cylinder, Isobutylene 10 ppm in Air, 103L	155.00
81-0104RK-04	Cylinder, Isobutylene 10 ppm in Air, 34AL (aluminum cylinder)	135.00
81-0142RK-02	Cylinder, SO2 5 PPM / H2S 25 ppm / CO 50 ppm / CH4 50% LEL / O2 12% in N2, 58AL	260.00
81-0142RK-04	Cylinder, SO2 5 PPM / H2S 25 ppm / CO 50 ppm / CH4 50% LEL / O2 12% in N2, 34AL	170.00
81-0143RK-02	Cylinder, isobutylene 100 ppm / H2S 25 ppm / CO 50 ppm / CH4 50% LEL / O2 12% in N2, 58AL	300.00
81-0143RK-04	Cylinder, isobutylene 100 ppm / H2S 25 ppm / CO 50 ppm / CH4 50% LEL / O2 12% in N2, 34AL	220.00
81-0151RK-02	Cylinder, H2S 25 ppm in N2, 58AL	175.00
81-0154RK-02	Cylinder, H2S 25 ppm / CO 50 ppm / CH4 50% LEL / O2 12% in N2, 58AL	240.00
81-0154RK-04	Cylinder, H2S 25 ppm / CO 50 ppm / CH4 50% LEL / O2 12% in N2, 34AL	165.00
81-0154RK-116	Cylinder, H2S 25 ppm / CO 50 ppm / CH4 50% LEL / O2 12% in N2, 116AL	340.00
81-0170RK-02	Cylinder, SO2 5 ppm in N2, 58AL	175.00
81-0170RK-04	Cylinder, SO2 5 ppm in N2, 34AL	135.00
81-0176RK-02	Cylinder, Ammonia, 25 ppm in N2, 58AL	350.00
81-0176RK-04	Cylinder, Ammonia, 25 ppm in N2, 34AL	225.00
81-0185RK-02	Cylinder, Phosphine, 0.5 ppm in N2, 58AL	380.00
81-0185RK-04	Cylinder, Phosphine, 0.5 ppm in N2, 34AL	280.00
81-0192RK-02	Cylinder, Cl2, 2 ppm in N2, 58AL	350.00
81-0192RK-04	Cylinder, Cl2, 2 ppm in N2, 34AL	235.00
81-0196RK-02	Cylinder, HCN, 10 ppm in N2, 58AL	350.00
81-0196RK-04	Cylinder, HCN, 10 ppm in N2, 34AL	235.00
81-1001RK	Dispensing valve, 17/34L	28.00
81-1051RK-60	Regulator, with gauge & knob, 34AL/58AL/103L, 6.0 LPM	125.00
81-1054RK	Regulator, demand flow for 34AL/58AL/103L	280.00
81-1055RK	Regulator, demand flow for 17L/34L steel cylinders	280.00

EAGLE 2 Portable Series

EAGLE 2 Replacement Parts & Accessories

Part#	Description	Suggested Retail
07-0131RK	Gasket, battery pack seal for EAGLE 2	4.50
07-0133RK	Gasket, buzzer for EAGLE 2	6.00
07-6020RK	O-ring for EAGLE probe	0.90
13-0100RK	Shoulder Strap with RKI logo, EAGLE / EAGLE 2	28.00
13-1081RK	Thumbscrew, captive, 10-32 x 2.0, EAGLE 2	10.60
14-0141RK	Strap for ESM-01 / IR sensors	5.60
20-0640RK	Carrying case, padded for EAGLE/EAGLE 2 & RX-415/RI-415, with space for instruments and accessories	180.00
20-0642RK	Carrying case, padded for EAGLE / EAGLE 2 instrument with space for calibration kit and accessories	320.00
21-0642RK	Battery enclosure for EAGLE 2, (batteries not included)	160.00
29-0338RK	Label, switches, EAGLE 2	10.80
29-0339RK	Label, display overlay, EAGLE 2	12.00
30-0522RK	Inlet fitting, standard, metal, quick disconnect, female, EAGLE/1641/GX-4000A	38.00
30-0600RK-01	Pump, internal, with connector, EAGLE/RP-GX-94	195.00
30-0608RK	Pump rebuild kit, for 30-0600RK-01 (pump version 7.51.82) (current standard)	50.00
31-2050RK	Sensor, pressure differential for EAGLE, 0 - 10 mm H2O	28.00
33-0156RK-01	Replacement hydrophobic filter element for probe, (pack of 5), EAGLE / EAGLE 2 probe	14.00
33-0156RK-100	Replacement hydrophobic filter element for probe (pack of 100), EAGLE / EAGLE 2 probe	200.00
33-0173RK	Filter, internal, hydrophobic, EAGLE 2	10.00
33-0560RK	Electrode stack for PID, 0 - 50 ppm (2 per pack)	115.00
33-0561RK	Electrode stack for PID, 0 - 2,000 ppm (2 per pack)	52.00
33-1031RK	Cotton balls, filters for probe, bag of 25	4.00
33-1200RK	Particle filter replacement, 5 microns, for new style EAGLE 2 probes (not for use with PID sensors)	3.00
33-3015RK	Filter, pleated paper type for 80-0182RK probe	7.00
33-6010RK-01	CO2 Scrubber with fitting and tubing for standard EAGLE / EAGLE 2	48.00
33-6090RK	Charcoal filter replacement, GX-4000A / EAGLE 2	8.50
35-0110RK	Dummy Sensor, H2S/CO, EAGLE	10.00
35-0111RK	Dummy Sensor, O2, EAGLE	12.00
35-0112RK	Dummy Sensor, LEL, EAGLE	12.00
35-0142RK	Plug, ESM-01 / IR / PID sensors, EAGLE 2	12.00
47-1016RK	12 VDC vehicle charging adapter, Eagle 2 (charger unit not included)	20.00
47-5010RK	Cable with connector for LEL, EAGLE/EAGLE 2	21.00
47-5084RK-01	Downloading cable, USB / IrDA adapter, Windows XP, Windows 7, & Windows 8 compatible (Not needed if computer has built-in IR port)	220.00
49-0115RK	115 / 220 VAC Adapter for charger, GX-6000/GX-2009/GX-2012/Gas Tracer/EAGLE 2/GX-8000 (charger unit not included)	20.00
49-1130RK	Battery, C size, alkaline battery	2.00
49-1330RK	Battery, NiMH, C size (4 required)	10.00
49-1405RK	Lithium battery, 1.55 volt, SR41W, GX-2003/EAGLE 2 (PCB memory backup battery)	7.50
49-1405RK-01	Battery contact, positive, for GX-2003/EAGLE 2, lithium battery, SUS304+NI3	1.50
49-2174RK	Battery charging module, 100 - 240 VAC & 12 VDC input, EAGLE 2, (power adapter not included)	90.00
49-2175RK	Battery charger, 100-240 VAC, EAGLE 2 (batteries not included)	110.00
49-2175RK-01	Battery charger, 100-240 VAC, with 4 C size NiMH batteries, added to EAGLE 2, factory installed	140.00
49-2175RK-02	Battery charger, 100-240 VAC, with 4 C size NiMH batteries, added to EAGLE 2, field installed	146.00
49-2176RK	Battery charger, 12 VDC, with cigarette lighter plug, EAGLE 2 (batteries not included)	110.00
49-2176RK-01	Battery charger, 12 VDC, with cigarette lighter plug and 4 C size NiMH batteries, EAGLE 2, factory installed	140.00
49-2176RK-02	Battery charger, 12 VDC, with cigarette lighter plug and 4 C size NiMH batteries, EAGLE 2, field installed	146.00
49-2177RK	Battery charger, 100-240 VAC adapter and 12 VDC with vehicle plug adapter, EAGLE 2	130.00
49-2177RK-01	Battery charger, 100-240 VAC adapter, 12 VDC with vehicle plug adapter, and 4 C size NiMH batteries, EAGLE 2, factory installed	154.00
49-2177RK-02	Battery charger, 100-240 VAC adapter, 12 VDC with vehicle plug adapter, and 4 C size NiMH batteries, EAGLE 2, field installed	160.00
51-1500RK	PID replacement lamp, 0 - 50 ppm	275.00
51-1501RK	PID replacement lamp, 0 - 2,000 ppm for EAGLE 2	250.00
57-0102RK-01	PC board assembly, main replacement, EAGLE 2	600.00
57-0103RK-01	PC board assembly, LCD replacement, EAGLE 2	250.00
57-0109RK	PC board assembly, sub PCB, ESM-01, EAGLE 2	140.00
57-0110RK	PC board assembly, sub PCB, IR, EAGLE 2	140.00
57-0111RK	PC board assembly, sub PCB, TC, EAGLE 2	140.00

EAGLE 2 Portable Series

EAGLE 2 Replacement Parts & Accessories

<u>Part#</u>	<u>Description</u>	<u>Suggested Retail</u>
57-0112RK-01	PC board assembly, sub PCB, PID, reprogrammed and defaulted, EAGLE 2	140.00
57-2005RK	PC board assembly, type 4 with cable for PID, EAGLE 2	36.00
57-2005RK-01	Adaptor assembly, type 4 to ESM-01 with cable, EAGLE 2	66.00
71-8003RK	Product CD, EAGLE 2, includes data downloading & maintenance software, operators manual, training video, and spare parts list	0.00
80-0101RKE	Floating ball / hose assembly, 25', with EAGLE/EAGLE 2 fitting	120.00
80-0131RK-10	Probe, 10", hydrophobic, standard, with particle filter and metal fittings, EAGLE / EAGLE 2	55.00
80-0131RK-20	Probe, 10", hydrophobic, standard, without particle filter, with metal fittings, for EAGLE 2 with PID	54.00
80-0133RK-10	Probe, 30", aluminum, with particle filter and 1641 fittings, EAGLE	95.00
80-0133RK-20	Probe, 30", aluminum, without particle filter and 1641 fittings, EAGLE	95.00
80-0134RK-10	Probe, 4', stainless steel, with particle filter, handle, and 1641 fittings, EAGLE	200.00
80-0134RK-20	Probe, 4', stainless steel, without particle filter, handle, and 1641 fittings, EAGLE	200.00
80-0135RK-10	Probe, 30", stainless steel, with particle filter and 1641 fittings, EAGLE	110.00
80-0135RK-20	Probe, 30", stainless steel, without particle filter and 1641 fittings, EAGLE	110.00
80-0136RK	Probe, 32", extendible (10" collapsed), fiberglass, with dust filter, (cotton ball), EAGLE / EAGLE 2	65.00
80-0137RK	Probe, 10" plastic, with dust filter (cotton ball), for EAGLE	36.00
80-0142RK-10	Probe, 30", fiberglass, for bar hole, with particle filter, EAGLE	88.00
80-0142RK-20	Probe, 30", fiberglass, for bar hole, without particle filter, EAGLE	88.00
80-0143RK	Extendible probe, 7' (collapsible to 2'), fiberglass with filter for EAGLE	88.00
80-0156RK-10	Probe, 30", fiberglass, rigid with particle filter, EAGLE	80.00
80-0156RK-20	Probe, 30", fiberglass, rigid without particle filter, EAGLE	80.00
80-0160RK-12	Extendible probe, 12', with 1641 fittings, EAGLE	250.00
80-0160RK-18	Extendible probe, 18', with 1641 fittings, EAGLE	250.00
80-0182RK	Probe, with internal paper dust filter, pleated paper type, EAGLE/GX-4000A	84.00
80-0211RK	Water Trap (bowl type) with 1641 fittings with pleated paper filter, EAGLE	85.00
80-0224RK	Filter, hydrophobic, in-line type (ACRO-50), with EAGLE fittings (1641)	70.00
80-0405RK	Dilution fitting 50:50, for EAGLE only (for use with hose & probe), with 1641 fittings	95.00
80-0406RK	Dilution fitting 3 to 1 for EAGLE only (for use with hose & probe), with 1641 fittings	120.00
80-0505RK	Hose, 5' polyurethane with fittings (standard gas versions only), EAGLE / EAGLE 2	40.00
80-0510RK	Hose, 10' polyurethane (for standard gases only), with 1641 fittings, EAGLE/EAGLE 2	45.00
80-0515RK	Hose, 15' polyurethane (for standard gases only), with 1641 fittings, EAGLE/EAGLE 2	50.00
80-0520RK	Hose, 20' polyurethane (for standard gases only), with 1641 fittings, EAGLE/EAGLE 2	55.00
80-0525RK	Hose, 25' polyurethane (for standard gases only), with 1641 fittings, EAGLE/EAGLE 2	60.00
80-0530RK	Hose, 30' polyurethane (for standard gases only), with 1641 fittings, EAGLE/EAGLE 2	70.00
80-0540RK	Hose, 40' polyurethane (for standard gases only), with 1641 fittings, EAGLE/EAGLE 2	80.00
80-0550RK	Hose, 50' polyurethane (for standard gases only), with 1641 fittings, EAGLE/EAGLE 2	90.00
80-0560RK	Hose, 60' polyurethane (for standard gases only), with 1641 fittings, EAGLE/EAGLE 2	100.00
80-0575RK	Hose, 75' polyurethane (for standard gases only), with 1641 fittings, EAGLE/EAGLE 2	115.00
80-0599RK	Hose, 100' polyurethane (for standard gases only), with 1641 fittings, EAGLE/EAGLE 2	140.00
80-0599RK-125	Hose, 125' polyurethane (for standard gases only), with 1641 fittings, EAGLE/EAGLE 2	170.00
80-0605RK	Hose, 5' teflon lined, with fittings (PID versions only), EAGLE / EAGLE 2	110.00
80-0620RK	Hose, 20' teflon lined, with fittings (PID versions only), EAGLE/EAGLE 2	160.00
80-0802RK	Float probe assembly, 12', (without dilution fitting), EAGLE tank tester version	340.00
82-0300RK	PID lamp cleaning kit with removal tool	40.00

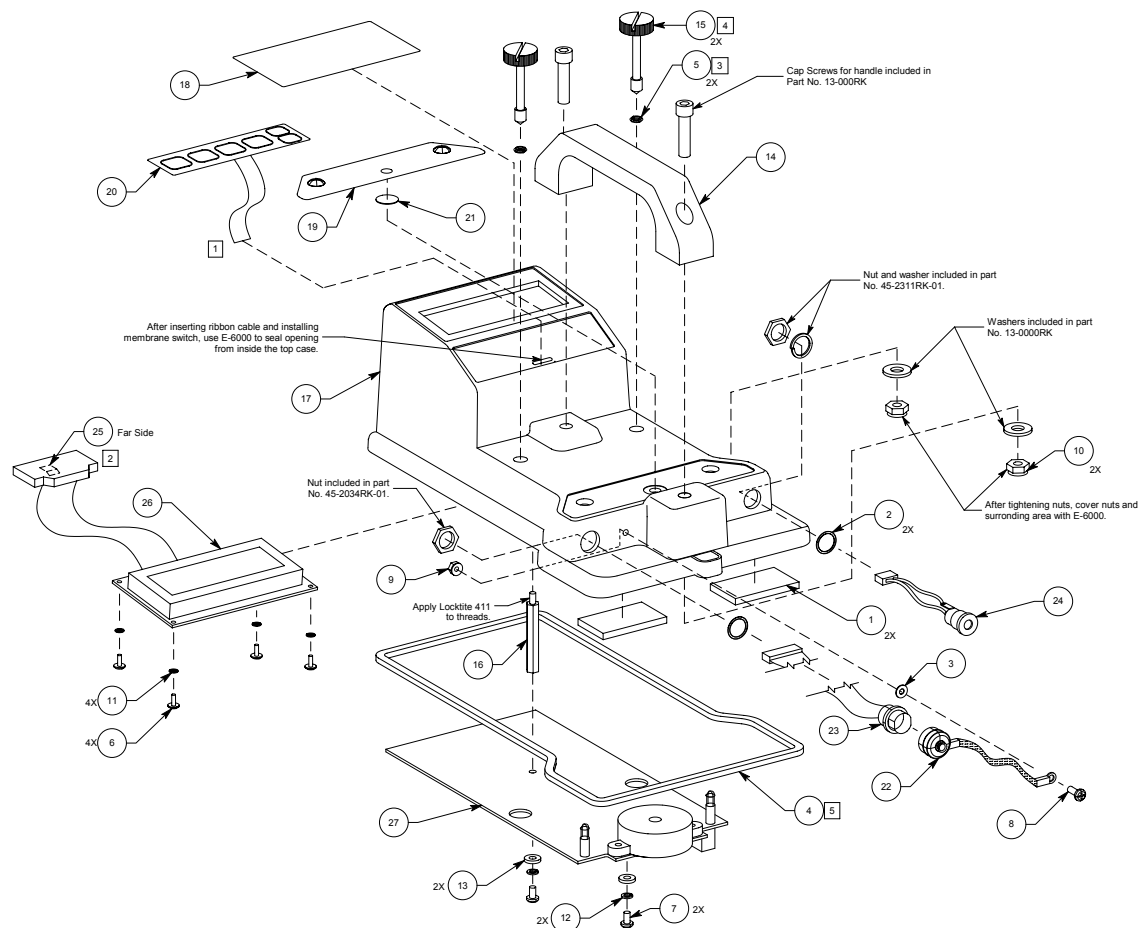
Eagle 2 Confined Space Kit (Instrument & Cal Kit Included)

Confined space kits include padded carrying case, and complete calibration kit. **Instrument included.**

<u>Part#</u>	<u>Description</u>	<u>Suggested Retail</u>
725-101-P1-50	EAGLE 2 for LEL & PPM / O ₂ / H ₂ S / CO / VOC's (0 - 50 ppm, PID), 58AL H ₂ S/CO/O ₂ /CH ₄ , 103L 10 ppm isobutylene/Air, dem flow reg, tubing, and padded carrying case	4,875.00
725-101-P2-50	EAGLE 2 for LEL & PPM / O ₂ / H ₂ S / CO / VOC's (0 - 2,000 ppm, PID), 58AL H ₂ S/CO/O ₂ /CH ₄ , 103L 100 ppm isobutylene/Air, dem flow reg, tubing, and padded carrying case	4,675.00

Eagle

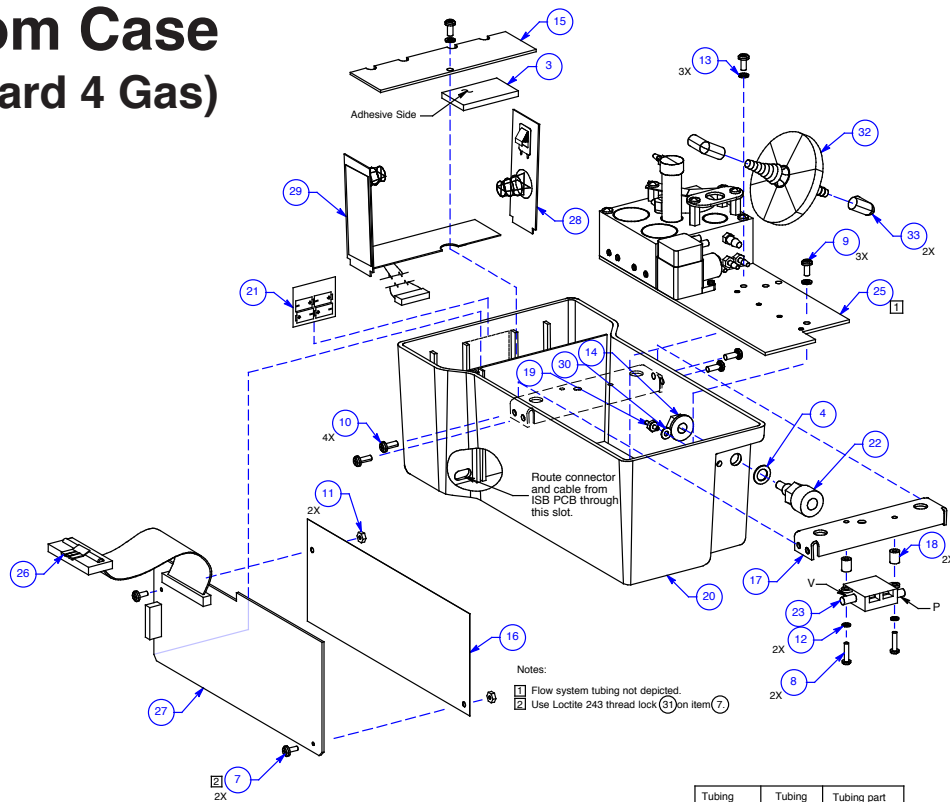
EAGLE Top Case (Standard 4 Gas)



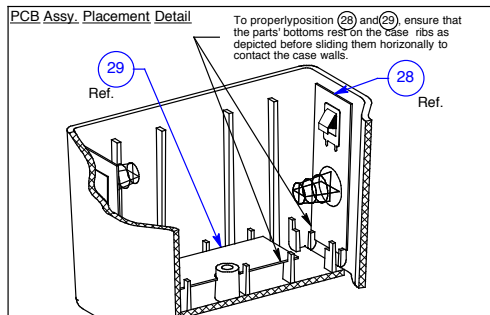
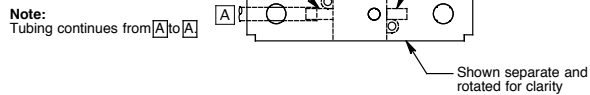
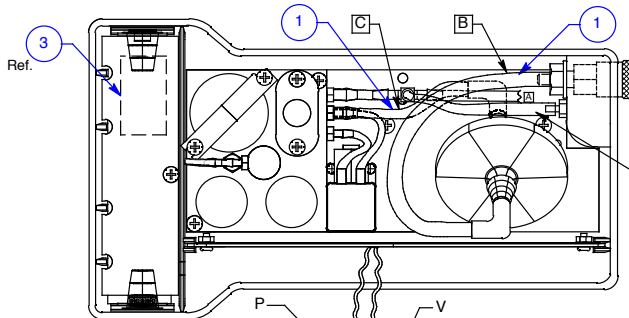
	Part Number
1	07-0009RK
2	07-0101RK
3	07-0102RK
4	07-0104RK
5	07-7008RK
6	10-0027RK
7	10-0194RK
8	10-0209RK-01
9	11-0039RK
10	11-0104RK
11	11-0212RK
12	11-0231RK
13	11-0232RK
14	13-0000RK

	Part Number
15	13-1080RK
16	14-0578RK
17	21-0601RK
18	29-0035RK
19	29-0041RK-02
20	29-5000RK
21	33-0550RK
22	45-2027RK
23	45-2034RK-01
24	45-2311RK-01
25	45-6150RK
26	51-1100RK-01
27	57-0010RK

EAGLE Bottom Case (Standard 4 Gas)



Tubing Designator	Tubing length	Tubing part number
B	7.5'±.1	06-1200RK
C	3.3'±.1	06-1200RK



Part Number	Part Number
1	06-1200RK
3	07-0009RK
4	07-0103RK
7	10-0109RK
8	10-0129RK
9	10-0200RK
10	10-0209RK-01
11	11-0021RK
12	11-0221RK
13	11-0231RK
14	11-4021RK
15	14-0003RK
16	14-0004RK
17	14-0101RK
18	14-0924RK

Part Number	Part Number
19	17-0517RK
20	21-0600RK
21	29-0049RK
22	30-0522RK
23	31-2050RK
25	35-0200RK-00
26	45-6150RK
27	57-0011RK
28	57-0019RK
29	57-0020RK
30	07-0102RK
31	08-0202RK
32	33-0165RK
33	17-0601RK

EAGLE Sample Drawing Versions

The EAGLE™ can be ordered with up to 6 gas sensors. Please specify the gas combination when ordering. Ask factory for combinations not listed. All versions listed below are supplied with alkaline batteries, and include a hose, probe (if applicable; not used with some versions due to absorption reasons), shoulder strap, instruction manual, and training CD. Many versions also include an internal hydrophobic filter as standard (for versions where the internal hydrophobic filter will not fit, it will be provided externally). For Ni-Cads, charger, data logging, larger internal hydrophobic filter or other accessories, please review the notes below for these optional accessories.



See "EAGLE Replacement Parts & Accessories" page 69.

All Eagle Instrument Price Includes

- 80-0505RK Hose, polyurethane 5' (standard gas versions and some super toxic versions only)
- or
- 06-1273RK Hose, teflon, 3' (for certain super toxic gas versions), price per foot
- 13-0100RK Shoulder Strap
- 33-0165RK Filter, Millipore, PTFE, Disc type, Hydrophobic (New standard as of June 2002, most versions)
- 49-1140RK Batteries, size D, alkaline (instrument requires 4)
- 71-8000RK Training CD
- 80-0131RK-10 Probe, 10", hydrophobic (standard gases and some super toxic versions only)
- or
- 80-0132RK-10 Probe, 10", hydrophobic, for some super toxic versions (not for F2, HF, or O3)

Ni-Cad Batteries

To order an EAGLE with Ni-Cad batteries and 115VAC charger, order part number 49-2150RK-01 at \$155.00 along with your instrument. This part number includes the charger and the batteries. To add Ni-Cads and charger to an EAGLE you already have, please order the batteries and charger separately (see Optional Accessories).



Data logging

To include data logging into an EAGLE, order the 57-0012RK-01 (\$140.00) data logging board (see note 3) adder along with the EAGLE. Also required is the 82-5007RK (\$165.00) data logging software and cable package for each location. To add data logging to an EAGLE you already have, order the 57-0012RK board (\$140.00, see NOTE 3) and the 82-5007RK software and cable (\$165.00).

NOTE 1: Data logging cannot be added to a 5 or 6 gas EAGLE, or an EAGLE with more than 2 toxic sensors. ANY sensor that is not an oxygen or LEL (Catalytic) sensor is counted as a toxic sensor.

NOTE 2: Data logging cannot be added to an Eagle which has the extra loud buzzer added to Eagle Part No. 52-1017RK-01.

NOTE 3: Datalogging software requires use of a computer with Windows XP and a serial port or serial to USB converter, or Windows 7 (32 bit only) and a serial port or serial to USB converter. Does not work with any other windows version.

Methane Elimination Switch

All EAGLES with a catalytic hydrocarbon sensor have an internal Methane elimination switch, for environmental applications. (This switch is not operable for instruments calibrated to Methane). If desired, this feature can be brought out to an EXTERNAL switch. For an EXTERNAL switch to be added, please specify part number 75- 0001RK (\$95.00) with your order.



Extra Loud Buzzer

An extra loud buzzer can be installed in any EAGLE for use in high noise areas. This buzzer is 90 db @ 2'. To add, use part number 52-1017RK-01 when ordering instruments, \$85.00. (NOTE: This buzzer cannot be added to an EAGLE that also has data logging added).



Standard Internal Hydrophobic Filter (Millipore)

Almost all versions of the EAGLE are equipped as standard with a Millipore hydrophobic filter (part # 33-0165RK) inside the unit. For customers with particularly dusty applications, or for those who want a larger filter, use the High Capacity Hydrophobic / Dust Filter detailed below.



High Capacity Hydrophobic / Dust Filters (AcroPac)

A special high capacity hydrophobic & dust filter (Part # 33-0171RK) is available for the EAGLE. To purchase an EAGLE with the AcroPac filter installed, add part number 33-0171RK-01 to your order. This filter is large and can only be used in an EAGLE with LEL/O2/H2S/CO and no super-toxics, or an EAGLE that has super-toxic sensors but no sensors for LEL/O2/H2S/CO.



EAGLE Portable Series

CO2 Ranges

All EAGLEs configured with a Carbon Dioxide channel will have a part number suffix, -XX, which indicates one of the 5 available Carbon Dioxide ranges:

CO2 Ranges

Range			Part # Suffix	
0	-	5,000	ppm	-01
0	-	10,000	ppm	-02
0	-	5	%	-03
0	-	20	%	-04*
0	-	60	%	-05*

*Note: Some EAGLE configurations do not support the 0-20% and 0-60% CO2 ranges, consult RKI Instruments, Inc.

Please specify the desired suffix or range when ordering. Pricing is the same for all ranges.

LEL Calibration Note

Standard factory calibration of LEL / PPM ranges is to Methane (calibration to hexane, isobutane, or other gases is optional). For units provided with an external Methane elimination switch, calibration is to hexane.

Please specify calibration when placing orders, if calibration to something besides methane is desired.

Special Notes For Super toxic EAGLES

Some SUPER TOXIC gas versions have longer lead times than others. Please confirm availability of the SUPER TOXIC versions, or any versions, if delivery time is critical.

Probes and Hoses for Super toxic EAGLES

Note that due to absorption issues some versions with super toxic sensors (Br2, ClO2, F2, HCl, HF, and O3) have different hose fittings than the standard 4 gas units. These versions also are supplied with only 3' of teflon tubing as standard, and some versions (F2, HF, and O3) cannot be used with a probe due to absorption, so they will come without a probe.

Impractical Toxic Gas Combinations

Some combinations of gases are not practical in the same EAGLE due to interference issues. If you do not see the combination you want in the price list, please consult the factory. Please see below for BAD combinations (not practical) or combinations which require special attention.

Impractical Combinations

A.	H2S / PH3 or H2S / AsH3
B.	H2S / ClO2
C.	H2S / NO2
D.	H2 / CO
E.	SiH4 / H2S
F.	SO2 with ES-K233 Sensor (Cl2 / HCl / HF / F2 / Br2 / O3) (Other sensor versions available to substitute for Cl2, or HCl. Consult Factory)
G.	HCN / H2S
H.	NO / SO2
I.	NO / AsH3
J.	SO2 / NH3
H.	30% Volume HC / CO

EAGLE Portable Series

SPECIAL ATTENTION COMBINATIONS

Listed below are some gas combinations that can be installed into one EAGLE, but that have limitations of operations that must be discussed and understood by the customer prior to purchase. Some have special filters installed for improved specificity.

Special Attention Combinations

A.	H ₂ S / SO ₂
B.	NO / CO
C.	Cl ₂ / NH ₃
D.	Cl ₂ / AsH ₃
E.	SiH ₄ / NO ₂
F.	Cl ₂ or HF / HCN
G.	H ₂ S / NH ₃
H.	HCl / NO
I.	H ₂ S / NO
J.	AsH ₃ / HCN
K.	AsH ₃ / CO
L.	AsH ₃ / HCl
M.	SO ₂ / NO ₂
N.	HCl / HCN
O.	HCl / PH ₃
P.	H ₂ S / O ₃
Q.	H ₂ S / Cl ₂
R.	NO ₂ / NH ₃

EAGLE Portable Series

Single Gas Models

Part#	Description	Suggested Retail
72-5111RK-01	EAGLE for Ammonia (NH3), 0 - 200 ppm	2,300.00
72-5111RK	EAGLE for Ammonia (NH3), 0 - 75 ppm	2,300.00
72-5107RKS	EAGLE for Arsine (AsH3), 0 - 0.200 ppm	2,300.00
72-5107RK	EAGLE for Arsine (AsH3), 0 - 1.00 ppm	2,300.00
72-5122RK	EAGLE for Bromine (Br2), 0 - 1 ppm	2,300.00
72-5115RK-XX	EAGLE for Carbon Dioxide (CO2) (specify CO2 range)	2,300.00
72-5104RK	EAGLE for Carbon Monoxide (CO), 0 - 500 ppm	1,830.00
72-5106RK	EAGLE for Chlorine (Cl2), 0 - 3 ppm	2,300.00
72-5118RK	EAGLE for Chlorine Dioxide (ClO2), 0 - 1 ppm (also detects chlorine)	2,300.00
72-5119RK	EAGLE for Fluorine (F2), 0 - 5 ppm (no probe)	2,300.00
72-5103RK-1000	EAGLE for high range H2S, 0 - 1000 ppm	2,000.00
72-5126RK	EAGLE for Hydrazine (N2H4), 0 - 5 ppm	2,300.00
72-5121RK	EAGLE for Hydrocarbons (HC) 100% LEL / 30% volume (IR), autoranging	2,300.00
72-5101RK-TR1	EAGLE for Hydrogen (H2), 0 - 5% volume, for transformer gas testing, with bag & dilution fitting	1,900.00
72-5101RK-TRB	EAGLE for Hydrogen (H2), 0 - 5% volume, for transformer testing, 2 pumps	2,295.00
72-5116RK	EAGLE for Hydrogen Bromide (HBr), 0 - 9 ppm	2,300.00
72-5110RK	EAGLE for Hydrogen Chloride (HCl), 0 - 15 ppm	2,300.00
72-5123RK	EAGLE for Hydrogen Cyanide (HCN), 0 - 30 ppm	2,300.00
72-5112RK	EAGLE for Hydrogen Fluoride (HF) (no probe), 0 - 9 ppm	2,300.00
72-5124RK	EAGLE for Hydrogen Peroxide (H2O2), 0 - 3.0 ppm, (no probe)	2,300.00
72-5125RK	EAGLE for Hydrogen Selenide (H2Se), 0 - 0.2 ppm, (no probe)	2,300.00
72-5103RK-01	EAGLE for Hydrogen Sulfide (H2S), 0 - 1.00 ppm	2,300.00
72-5103RK	EAGLE for Hydrogen Sulfide (H2S), 0 - 100 ppm	1,830.00
72-5101RKT	EAGLE for LEL / PPM, with teflon hose, for heavy hydrocarbons (specify calibration)	1,930.00
72-5101RK	EAGLE for LEL & PPM (specify calibration)	1,830.00
72-5101RK-IR	EAGLE for LEL Methane only, with IR sensor	2,300.00
72-5101RK-TT	EAGLE for LEL, tank testing version, with float probe & dilution fitting (specify calibration)	2,295.00
72-5101RK-11T	EAGLE for LEL/PPM, teflon lined & internal dilution (specify calibration)	1,945.00
72-5120RK	EAGLE for Methane (CH4) (100% LEL / 100% volume (IR), autoranging)	2,300.00
72-5113RK	EAGLE for Nitric Oxide (NO), 0 - 100 ppm	2,300.00
72-5114RK	EAGLE for Nitrogen Dioxide (NO2), 0 - 15 ppm	2,300.00
72-5102RK	EAGLE for O2 (0 - 40% volume)	1,780.00
72-5102RKM	EAGLE for O2 (0 - 40% volume), marine version with internal oil mist filter	1,800.00
72-5109RK	EAGLE for Ozone (O3) (no probe), 0 - 1 ppm	2,300.00
72-5108RK	EAGLE for Phosphine (PH3), 0 - 1.00 ppm	2,300.00
72-5117RK-23AH	EAGLE for Silane (SiH4), 0 - 15 ppm, with ES-23AH sensor, no H2 response	2,300.00
72-5117RK	EAGLE for Silane (SiH4), 0 - 15 ppm, with ES-23DH sensor, with H2 response	2,300.00
72-5105RK	EAGLE for Sulfur Dioxide (SO2), 0 - 10 ppm	2,300.00

Instrument Price Includes

See "All EAGLE Instrument Prices Include" on page 55.

Calibration Kits

Instrument #	Cal-Kit Part #	Cal-Kit Description	Price
72-5101RK	81-5101RK	Cal kit, EAGLE/EAGLE 2, 103L cyl 50% LEL Methane/Air, dem flow reg, case & tubing	495.00
	81-5101RK-LV	Cal kit, EAGLE, 34L cyl 50% LEL Methane/Air, disp valve, sample bag, case & tubing	185.00
72-5102RK	81-5102RK-LV	Cal kit, EAGLE, 34L cyl 100% N2, disp valve, gas bag, case & tubing	185.00

For additional cal kits see page 111

EAGLE Portable Series

Two Gas Models

Part#	Description	Suggested Retail
72-5275RK-XX	EAGLE for AsH3 / CO2 (specify CO2 range)	3,000.00
72-5227RKS	EAGLE for AsH3 0 - 0.200 ppm / HF (no probe)	3,000.00
72-5245RK	EAGLE for CH4 (100% LEL / 100% volume (IR autoranging) / OXY	2,500.00
72-5290RK-XX	EAGLE for CH4 (100% LEL / 100% volume (IR) auto-ranging) / CO2 (specify CO2 range)	3,000.00
72-5245RK-05	EAGLE for CH4 (100% volume (IR autoranging) / OXY	2,500.00
72-5273RK	EAGLE for CH4 % LEL / % volume (IR) autoranging) / H2S (0 - 1.0 ppm)	3,000.00
72-5279RK	EAGLE for CH4 % LEL / % volume (IR) autoranging) / NH3	3,000.00
72-5211RK	EAGLE for Cl2 / NH3	3,000.00
72-5276RK	EAGLE for Cl2 / PH3 with internal G-92 filter	3,100.00
72-5213RK	EAGLE for Cl2 / SiH4	3,000.00
72-5209RK	EAGLE for CO / Cl2	2,500.00
72-5225RK-XX	EAGLE for CO / CO2 (specify CO2 range)	2,500.00
72-5248RK	EAGLE for CO / PH3.....	2,500.00
72-5223RK-XX	EAGLE for CO2 / NH3 (specify CO2 range).....	3,000.00
72-5293RK	EAGLE for F2 / HBr, (no probe)	3,000.00
72-5299RK	EAGLE for Fluorine (F2) / Silane (SiH4), with G-92 filter and (no probe)	3,000.00
72-5201RK-TRB	EAGLE for H2 (0 - 5%) / O2, for transformer gas testing, with 2 pumps	2,400.00
72-5201RK-TR1	EAGLE for H2 (0 - 5%) / O2, for transformer gas testing, with sample bag & dilution fitting	2,025.00
72-5277RK	EAGLE for H2S (0 - 30 ppm) / CO (0 - 150 ppm).....	3,000.00
72-5295RK	EAGLE for H2S (0 - 30 ppm) / NH3	3,000.00
72-5235RK	EAGLE for H2S / CO.....	1,975.00
72-5265RK-XX	EAGLE for H2S / CO2 (specify CO2 range)	2,500.00
72-5249RK	EAGLE for H2S / NH3	2,500.00
72-5237RK	EAGLE for H2S / SO2 (with H2S scrubber)	2,500.00
72-5274RK	EAGLE for HBr / Cl2.....	3,000.00
72-5219RK	EAGLE for HBr / HCl, (HBr sensor also responds to HCl)	3,000.00
72-5268RK	EAGLE for HC % LEL / 30% volume (IR) autoranging / OXY	2,500.00
72-5241RKS	EAGLE for HCl / AsH3 0 - 0.200 ppm (with HCl scrubber)	3,000.00
72-5241RK	EAGLE for HCl / AsH3 0 - 1.00 ppm (with HCl scrubber)	3,000.00
72-5266RK-01	EAGLE for HCl / Cl2	3,000.00
72-5240RK	EAGLE for HCl / NH3	3,000.00
72-5258RK	EAGLE for HCl / NO (with G92 filter)	3,000.00
72-5242RK	EAGLE for HCl / NO2	3,000.00
72-5208RK	EAGLE for HCl / PH3 (with HCl filter)	3,000.00
72-5218RK	EAGLE for HCl / SiH4	3,000.00
72-5236RK	EAGLE for HCN / NH3	3,000.00
72-5250RK	EAGLE for HF / HBr (no probe)	3,000.00
72-5232RK	EAGLE for HF / HCN (no probe)	3,000.00
72-5264RK	EAGLE for HF / NO (no probe), with G-92 filter	3,000.00
72-5294RK	EAGLE for HF / NO2 (no probe)	3,000.00
72-5230RK	EAGLE for HF / SiH4 (no probe)	3,000.00
72-5247RK	EAGLE for Hydrogen Iodide (HI) / Iodine (I2).....	3,000.00
72-5254RK	EAGLE for LEL (IR) / H2S 0 - 30 ppm (with ES-237-H2S sensor).....	3,000.00
72-5238RK	EAGLE for LEL & PPM (catalytic) /% volume CH4 (infrared)	2,500.00
72-5262RK	EAGLE for LEL & PPM / AsH3 (0 - 1.0 ppm).....	2,500.00
72-5296RK	EAGLE for LEL & PPM / Cl2	2,500.00
72-5297RK	EAGLE for LEL & PPM / Cl2 (0 - 1.5 ppm), for use with HF, (no probe)	2,500.00
72-5297RK	EAGLE for LEL & PPM / Cl2 (0 - 1.5 ppm), for use with HF, (no probe)	2,500.00
72-5202RK	EAGLE for LEL & PPM / CO	1,975.00
72-5278RK	EAGLE for LEL & PPM / CO (0 - 300 ppm) (H2 compensated CO sensor)	2,500.00
72-5243RK-XX	EAGLE for LEL & PPM / CO2 (specify CO2 range)	2,500.00
72-5298RK	EAGLE for LEL & PPM / Diborane (B2H6)	2,500.00
72-5246RK	EAGLE for LEL & PPM / F2, (no probe)	2,500.00
72-5203RK	EAGLE for LEL & PPM / H2S	1,975.00
72-5263RK	EAGLE for LEL & PPM / H2S (0 - 1.0 ppm)	3,000.00
72-5261RK	EAGLE for LEL & PPM / HF	2,500.00
72-5210RK	EAGLE for LEL & PPM / NH3	2,500.00
72-5201RK	EAGLE for LEL & PPM / O2	1,950.00
72-5201RKT	EAGLE for LEL & PPM / O2 with teflon hose for heavy hydrocarbons	2,050.00

EAGLE Portable Series

Two Gas Models

Part#	Description	Suggested Retail
72-5201RK-TT	EAGLE for LEL & PPM / O ₂ , tank testing version, includes float probe assembly and dilution fitting ...	2,350.00
72-5201RK-11	EAGLE for LEL & PPM / O ₂ , with internal dilution for LEL	2,000.00
72-5251RK	EAGLE for LEL & PPM / O ₃ (no probe)	2,500.00
72-5260RK	EAGLE for LEL & PPM / PH ₃	2,500.00
72-5201RK-IR	EAGLE for LEL Methane (IR) / OXY	2,500.00
72-5257RKS	EAGLE for NH ₃ / AsH ₃	3,000.00
72-5256RK	EAGLE for NH ₃ / O ₃ (no probe)	3,000.00
72-5215RK	EAGLE for NH ₃ / PH ₃	3,000.00
72-5212RK	EAGLE for NH ₃ / SiH ₄	3,000.00
72-5272RK	EAGLE for NH ₃ / SO ₂ (with ES-238-SO ₂ sensor, 0 - 6 ppm)	3,000.00
72-5267RK-XX	EAGLE for NO / CO ₂ (specify CO ₂ range)	3,000.00
72-5228RK	EAGLE for NO / NO ₂	3,000.00
72-5288RK	EAGLE for NO ₂ / HCN	3,000.00
72-5206RK	EAGLE for O ₂ / B ₂ H ₆	2,500.00
72-5220RK	EAGLE for O ₂ / Cl ₂	2,500.00
72-5271RK	EAGLE for O ₂ / ClO ₂ (0 - 1 ppm).....	2,500.00
72-5204RK	EAGLE for O ₂ / CO	1,975.00
72-5222RK-XX	EAGLE for O ₂ / CO ₂ (specify CO ₂ range)	2,500.00
72-5205RK	EAGLE for O ₂ / H ₂ S	1,975.00
72-5289RK	EAGLE for O ₂ / H ₂ S (0 - 1000 ppm)	2,175.00
72-5255RK	EAGLE for O ₂ / HCl	2,500.00
72-5287RK	EAGLE for O ₂ / Hydrazine (N ₂ H ₄) 0 - 5 ppm	2,500.00
72-5259RK	EAGLE for O ₂ / NH ₃	2,500.00
72-5231RK	EAGLE for O ₂ / NO	2,500.00
72-5270RK	EAGLE for O ₂ / O ₃ , no probe	2,500.00
72-5214RK	EAGLE for O ₂ / PH ₃ , 0 - 1.00 ppm	2,500.00
72-5214RK-20	EAGLE for O ₂ / PH ₃ , 0 - 20.0 ppm, for fumigation use	2,500.00
72-5252RK-XX	EAGLE for O ₃ / CO ₂ (specify CO ₂ range)	3,000.00
72-5233RK	EAGLE for O ₃ / HCl (no probe)	3,000.00
72-5253RK	EAGLE for O ₃ / NO (no probe)	3,000.00
72-5269RK	EAGLE for O ₃ / NO ₂ (no probe)	3,000.00
72-5291RK	EAGLE for SO ₂ (with ES-238-SO ₂ sensor, 0 - 6 ppm) / HCN	3,000.00
72-5292RK	EAGLE for SO ₂ (with ES-23E-SO ₂ sensor, 0 - 30 ppm) / HCN	3,000.00
72-5229RK	EAGLE for SO ₂ / Cl ₂ (E3-23AH-D-CL2)	3,000.00
72-5226RK-XX	EAGLE for SO ₂ / CO ₂ (specify CO ₂ range)	3,000.00
72-5244RK	EAGLE for SO ₂ / NO ₂	3,000.00

Instrument Price Includes

See "All EAGLE Instrument Prices Include" on page 55

Calibration Kits

Instrument #	Cal-Kit Part #	Cal-Kit Description	Price
72-5201RK 72-5201RK-IR	81-5201RK	Cal kit, EAGLE, 103L cyl CH ₄ /CO/O ₂ , dem flow reg, case & tubing	535.00
	81-5201RK-HLV	Cal kit, EAGLE, 34L cyl CO/Hex/O ₂ , disp valve, gas bag, case & tubing	185.00
	81-5201RK-LV	Cal kit, EAGLE, 34L cyl CH ₄ /CO/O ₂ , disp valve, gas bag, case & tubing	185.00
72-5201RK 72-5201RK-IR 72-5201RK-TT	81-5201RK-LV	Cal kit, EAGLE, 34L cyl CH ₄ /CO/O ₂ , disp valve, gas bag, case & tubing	185.00
72-5202RK	81-5202RK	Cal kit, EAGLE, 103 L cyl CH ₄ /CO/O ₂ , dem flow reg, case & tubing	535.00
	81-5202RK-LV	Cal kit, EAGLE, 34L cyl CH ₄ /CO/O ₂ , disp valve, gas bag, case & tubing	185.00
72-5203RK	81-5203RK	Cal kit, EAGLE, 58AL cyl H ₂ S (25 ppm)/CO/CH ₄ /O ₂ , dem flow reg, case & tubing	580.00
	81-5203RK-LV	Cal kit, EAGLE, 34AL cyl H ₂ S (25 ppm)/CO/CH ₄ /O ₂ , reg with gauge & knob, gas bag, case & tubing	395.00

For additional cal kits see page 112

EAGLE Portable Series

Three Gas Models

Part#	Description	Suggested Retail
72-5365RK	EAGLE for (LEL / % volume CH4 (IR) autoranging) / CO / SO2 (0 - 30 ppm)	3,350.00
72-5364RK	EAGLE for (LEL / % volume CH4 (IR) autoranging) / H2S / NH3	3,350.00
72-5366RK	EAGLE for (LEL & PPM / % volume CH4 (IR) Autoranging) / NH3	3,350.00
72-5337RK	EAGLE for CH4 (100% LEL / 100% volume (IR) autoranging) / O2 / H2S	2,800.00
72-5379RK-XX	EAGLE for CH4 (100% LEL / 100% volume (IR) autoranging) / H2S / CO2 (specify CO2 range)	3,350.00
72-5332RK	EAGLE for CH4 (100% LEL / 100% volume (IR) autoranging) / O2 / CO	2,800.00
72-5335RK-XX	EAGLE for CH4 (100% LEL / 100% volume (IR) autoranging) / O2 / CO2 (specify CO2 range).....	3,350.00
72-5390RK	EAGLE for CH4 (100% LEL / 100% volume (IR) autoranging) / O2 / HCl	3,350.00
72-5348RK	EAGLE for CH4 (100% LEL / 100% volume (IR) autoranging) / O2 / HF (no probe)	3,350.00
72-5342RK	EAGLE for CO / Cl2 / NH3	3,350.00
72-5353RK	EAGLE for CO / HS / SO2.....	2,850.00
72-5343RK-XX	EAGLE for CO / NH3 / CO2 (specify CO2 range).....	3,350.00
72-5346RK-XX	EAGLE for CO / NO / CO2 (specify CO2 range)	3,350.00
72-5377RK-XX	EAGLE for CO / NO2 / CO2 (specify CO2 range).....	3,350.00
72-5352RK	EAGLE for CO / O3 / NO2 (no probe)	3,350.00
72-5362RK	EAGLE for CO / SO2 (with ES-23E sensor) / NO2, no H2S scrubber	3,350.00
72-5360RK	EAGLE for H2S / CO / Cl2	2,800.00
72-5382RK	EAGLE for H2S / HCl / NH3	3,350.00
72-5388RK	EAGLE for HC (100% LEL / 30% volume (IR) autoranging) / O2 / Cl2	3,350.00
72-5384RK-XX	EAGLE for HC (100% LEL / 30% volume (IR) autoranging) / O2 / CO2 (specify CO2 range).....	3,350.00
72-5355RK	EAGLE for HC (100% LEL / 30% volume (IR) autoranging) / O2 / H2S (0 - 1,000 ppm)	3,000.00
72-5354RK	EAGLE for HC (100% LEL / 30% volume (IR) autoranging) / O2 / H2S (0 - 100 ppm)	2,800.00
72-5359RK-01	EAGLE for HC % LEL (IR) / O2 / CO (not for % volume HC use)	2,800.00
72-5322RK	EAGLE for LEL & PPM (catalytic) / O2 / 0 - 100% volume. CH4 (infrared).....	2,800.00
72-5349RKS	EAGLE for LEL & PPM / NH3 / AsH3 (0 - 0.2 ppm)	3,350.00
72-5373RK-XX	EAGLE for LEL & PPM / AsH3 (1.0 ppm) / CO2 (specify CO2 range)	3,350.00
72-5376RK	EAGLE for LEL & PPM / B2H6 / PH3	3,350.00
72-5385RK	EAGLE for LEL & PPM / B2H6 / SiH4	3,350.00
72-5344RKS	EAGLE for LEL & PPM / Cl2 / AsH3	3,350.00
72-5341RK	EAGLE for LEL & PPM / Cl2 / NH3	3,350.00
72-5313RK	EAGLE for LEL & PPM / Cl2 / PH3	3,350.00
72-5391RK	EAGLE for LEL & PPM / CO / Cl2	2,800.00
72-5317RK-XX	EAGLE for LEL & PPM / CO / CO2 (specify CO2 range)	2,800.00
72-5328RK	EAGLE for LEL & PPM / CO / H2S	2,125.00
72-5323RK	EAGLE for LEL & PPM / CO / HCl	2,800.00
72-5319RK	EAGLE for LEL & PPM / CO / O3 (no probe)	2,800.00
72-5329RK-XX	EAGLE for LEL & PPM / H2S / CO2 (specify CO2 range)	2,800.00
72-5369RK	EAGLE for LEL & PPM / H2S / NH3	2,800.00
72-5356RK	EAGLE for LEL & PPM / H2S / SO2	2,850.00
72-5370RK	EAGLE for LEL & PPM / HCl / Cl2.....	3,350.00
72-5386RKS	EAGLE for LEL & PPM / HF / AsH3 (0 - 0.2 ppm) (no probe)	3,350.00
72-5309RK	EAGLE for LEL & PPM / NO / SO2	3,350.00
72-5331RK	EAGLE for LEL & PPM / NO2 / SO2	3,350.00
72-5304RKS	EAGLE for LEL & PPM / O2 / AsH3,0 - 0.200 ppm	2,800.00
72-5304RK	EAGLE for LEL & PPM / O2 / AsH3,0 - 1.00 ppm	2,800.00
72-5308RK	EAGLE for LEL & PPM / O2 / Cl2	2,800.00
72-5302RK	EAGLE for LEL & PPM / O2 / CO	2,125.00
72-5367RK	EAGLE for LEL & PPM / O2 / CO (0 - 300 ppm) with H2 compensation.....	2,800.00
72-5302RK-TT	EAGLE for LEL & PPM / O2 / CO tank tester version	2,425.00
72-5302RKT	EAGLE for LEL & PPM / O2 / CO, with teflon lined hose.....	2,200.00
72-5315RK	EAGLE for LEL & PPM / O2 / CO, without charcoal filter	2,125.00
72-5316RK-XX	EAGLE for LEL & PPM / O2 / CO2 (specify CO2 range)	2,800.00
72-5301RK	EAGLE for LEL & PPM / O2 / H2S.....	2,125.00
72-5301RK-TT	EAGLE for LEL & PPM / O2 / H2S, tank testing version, includes float probe assembly and dilution fitting	2,450.00
72-5311RK	EAGLE for LEL & PPM / O2 / HCl	2,800.00
72-5320RK	EAGLE for LEL & PPM / O2 / HCN	2,800.00
72-5310RK	EAGLE for LEL & PPM / O2 / HF (no probe)	2,800.00
72-5307RK	EAGLE for LEL & PPM / O2 / NH3	2,800.00
72-5334RK	EAGLE for LEL & PPM / O2 / NO2	2,800.00

EAGLE Portable Series

Three Gas Models

Part#	Description	Suggested Retail
72-5306RK	EAGLE for LEL & PPM / O2 / O3 (no probe)	2,800.00
72-5305RK	EAGLE for LEL & PPM / O2 / PH3	2,800.00
72-5345RK	EAGLE for LEL & PPM / O2 / SiH4 (23AH)	2,800.00
72-5375RK-XX	EAGLE for LEL & PPM / SO2 with H2S scrubber / CO2 (specify CO2 range)	3,350.00
72-5302RK-IR	EAGLE for LEL Methane (IR) / O2/ CO	2,800.00
72-5301RK-IR	EAGLE for LEL Methane (IR) / O2/ H2S	2,800.00
72-5326RK-XX	EAGLE for O2 / CO / CO2 (specify CO2 range)	2,800.00
72-5312RK	EAGLE for O2 / CO / NO2	2,800.00
72-5361RK	EAGLE for O2 / CO / O3	2,800.00
72-5347RK	EAGLE for O2 / CO / SO2	2,800.00
72-5338RK-XX	EAGLE for O2 / CO2 / SO2 (specify CO2 range)	3,350.00
72-5357RK	EAGLE for O2 / H2S / CO	2,125.00
72-5371RK-XX	EAGLE for O2 / H2S / CO2 (specify CO2 range)	2,800.00
72-5392RK	EAGLE for O2 / H2S / HCl	2,800.00
72-5330RK	EAGLE for O2 / H2S / NH3	2,800.00
72-5339RK	EAGLE for O2 / HCl / HBr (no probe. HBr sensor also responds to HCl)	3,350.00
72-5372RK	EAGLE for O2 / HCl / SiH4	3,350.00
72-5380RKS	EAGLE for O2 / HF / AsH3 (0 - 0.2 ppm), with external G-92 filter and (no probe)	3,450.00
72-5380RK-01	EAGLE for O2 / HF / AsH3 (0 - 2.0 ppm), (no probe)	3,350.00
72-5358RK	EAGLE for O2 / HF / O3, (no probe)	3,350.00
72-5325RK-XX	EAGLE for O2 / NH3 / CO2 (specify CO2 range)	3,350.00
72-5393RK-XX	EAGLE for O2 / NO2 / CO2 (specify CO2 range)	3,350.00
72-5368RK	EAGLE for O2 / NO2 / SO2 (0 - 15 ppm, ES-23E sensor)	3,350.00
72-5383RK	EAGLE for O2 / O3 / NH3	3,350.00

Instrument Price Includes

See "All EAGLE Instrument Prices Include" on page 55.

Calibration Kits

Instrument #	Cal-Kit Part #	Cal-Kit Description	Price
72-5301RK	81-5301RK	Cal kit, EAGLE, 58AL cyl H2S/CO/CH4/O2, dem flow reg, case & tubing	580.00
	81-5301RK-LV	Cal kit, EAGLE, 34AL cyl H2S/CO/CH4/O2, reg with gauge & knob, gas bag, case & tubing	395.00
72-5302RK	81-5302RK	Cal kit, EAGLE, 103L cyl CO/CH4/O2, dem flow reg, case & tubing	535.00
	81-5302RK-LV	Cal kit, EAGLE, 34L cyl CO/CH4/O2, disp valve, gas bag, case & tubing	185.00

For additional cal kits see page 112.

EAGLE Portable Series

Four Gas Models

<u>Part#</u>	<u>Description</u>	<u>Suggested Retail</u>
72-5489RK	EAGLE for CH4 (100% LEL / 100 % volume (IR) autoranging) / O2 / H2S / SO2 with external H2S filter ...	3,600.00
72-5490RK	EAGLE for CH4 (100% LEL / 100% volume (IR) autoranging) / O2 / CO / AsH3 (0 - 1 ppm), with external G-92 filter	3,600.00
72-5451RK	EAGLE for CH4 (100% LEL / 100% volume (IR) autoranging) / O2/ CO / H2S	2,900.00
72-5482RK	EAGLE for CO / H2S / Cl2 / NH3	3,500.00
72-5493RK-XX	EAGLE for HC (100% LEL / 30% volume (IR) autoranging) O2 / H2S / CO2 (specify CO2 range)	3,500.00
72-5487RK	EAGLE for HC 100% LEL (IR) / O2 / CO / H2S (not for % volume HC use)	2,900.00
72-5474RK-XX	EAGLE for LEL (catalytic) / % Volume CH4 (IR) / O2 / CO2 (specify CO2 range)	3,500.00
72-5479RK	EAGLE for LEL / % volume CH4 (IR autoranging) / O2/ CO / O3	3,500.00
72-5459RK-XX	EAGLE for LEL / % volume CH4 (IR) autoranging / O2/ CO / CO2 (specify CO2 range)	3,500.00
72-5464RK	EAGLE for LEL / % volume CH4 (IR) autoranging / O2/ CO / NH3	3,500.00
72-5468RK-XX	EAGLE for LEL / % volume CH4 (IR) autoranging) / O2/ HS / CO2 (specify CO2 range)	3,500.00
72-5496RK	EAGLE for LEL & PPM (catalytic) / 100% volume CH4 (IR sensor) / O2 / CO (H2 compensated)	3,500.00
72-5442RK	EAGLE for LEL & PPM (catalytic) / 100% volume CH4 (IR) / O2/ H2S.....	2,900.00
72-5441RK	EAGLE for LEL & PPM (catalytic) / O2 / CO / 0 - 100% volume CH4 (infrared)	2,900.00
72-5423RK	EAGLE for LEL & PPM / CO / H2S / NO (with scrubber for NO sensor)	2,950.00
72-5436RK	EAGLE for LEL & PPM / CO / NH3 / HF (no probe)	3,500.00
72-5483RK	EAGLE for LEL & PPM / CO / O3 / NO2 (no probe)	3,500.00
72-5455RK-XX	EAGLE for LEL & PPM / H2S / CO / CO2 (specify CO2 range)	2,900.00
72-5499RKS	EAGLE for LEL & PPM / O2 / ASH3 (0 - 0.2 ppm) / NH3	3,500.00
72-5413RK	EAGLE for LEL & PPM / O2 / AsH3 / HF (no probe).....	3,500.00
72-5470RK	EAGLE for LEL & PPM / O2 / AsH3 / SO2.....	3,500.00
72-5467RK	EAGLE for LEL & PPM / O2 / B2H6 / F2 (no probe).....	3,500.00
72-5480RK	EAGLE for LEL & PPM / O2 / B2H6 / NO2 (no probe)	3,500.00
72-5486RKS	EAGLE for LEL & PPM / O2 / Cl2 / AsH3 (0 - 0.2 ppm), with external G-92 filter	3,600.00
72-5447RK-XX	EAGLE for LEL & PPM / O2 / Cl2 / CO2 (specify CO2 range)	3,500.00
72-5406RK	EAGLE for LEL & PPM / O2 / Cl2 / NH3	3,500.00
72-5419RK	EAGLE for LEL & PPM / O2 / Cl2 / PH3	3,500.00
72-5422RK	EAGLE for LEL & PPM / O2 / Cl2 / SO2 (E3-23AH-CL2)	3,500.00
72-5491RK-XX	EAGLE for LEL & PPM / O2 / ClO2 / CO2 (specify CO2 range)	3,500.00
72-5438RK	EAGLE for LEL & PPM / O2 / CO (without charcoal filter)/100% volume CH4 (IR)	2,900.00
72-5485RKS	EAGLE for LEL & PPM / O2 / CO / AsH3 (0 -.2 ppm)	2,900.00
72-5405RK	EAGLE for LEL & PPM / O2 / CO / Cl2	2,900.00
72-5473RK	EAGLE for LEL & PPM / O2 / CO / ClO2	2,900.00
72-5416RK-XX	EAGLE for LEL & PPM / O2 / CO / CO2 (specify CO2 range)	2,900.00
72-5401RK	EAGLE for LEL & PPM / O2 / CO / H2S.....	2,250.00
72-5401RK-CAT	EAGLE for LEL & PPM / O2 / CO / H2S with internal LEL dilution fitting, catalyst unit	2,400.00
72-5401RK-50	EAGLE for LEL & PPM / O2 / CO / H2S, Confined Space Kit with Cal-Kit all in one	3,000.00
72-5401RK-TT	EAGLE for LEL & PPM / O2 / CO / H2S, Tank Tester version (with float probe & dilution fitting)	2,600.00
72-5401RKT	EAGLE for LEL & PPM / O2 / CO / H2S, Teflon lined hose	2,325.00
72-5478RK	EAGLE for LEL & PPM / O2 / CO / H2S, with H2 compensated CO sensor.....	2,900.00
72-5421RK	EAGLE for LEL & PPM / O2 / CO / HCl	2,900.00
72-5452RK	EAGLE for LEL & PPM / O2 / CO / HCN	2,900.00
72-5417RK	EAGLE for LEL & PPM / O2 / CO / HF (no probe)	2,900.00
72-5412RK	EAGLE for LEL & PPM / O2 / CO / NH3	2,900.00
72-5415RK	EAGLE for LEL & PPM / O2 / CO / NO (with scrubber for NO sensor)	2,950.00
72-5414RK	EAGLE for LEL & PPM / O2 / CO / NO2	2,900.00
72-5418RK	EAGLE for LEL & PPM / O2 / CO / O3 (no probe)	2,900.00
72-5427RK	EAGLE for LEL & PPM / O2 / CO / PH3	2,900.00
72-5427RK-20	EAGLE for LEL & PPM / O2 / CO / PH3 (0 - 20 ppm), fumigation version	2,900.00
72-5403RK	EAGLE for LEL & PPM / O2 / CO / SO2	2,900.00
72-5453RK-XX	EAGLE for LEL & PPM / O2 / CO2 / SO2 (specify CO2 range)	3,500.00
72-5495RK	EAGLE for LEL & PPM / O2 / F2 / SiH4 with external G-92 filter (no probe)	3,600.00
72-5404RK	EAGLE for LEL & PPM / O2 / H2S / Cl2	2,900.00
72-5439RK-XX	EAGLE for LEL & PPM / O2 / H2S / CO2 (specify CO2 range)	2,900.00
72-5443RK	EAGLE for LEL & PPM / O2 / H2S / HF (no probe)	2,900.00
72-5410RK	EAGLE for LEL & PPM / O2 / H2S / NH3	2,900.00
72-5475RK	EAGLE for LEL & PPM / O2 / H2S / NO (with H2S scrubber)	2,900.00
72-5458RK	EAGLE for LEL & PPM / O2 / H2S / O3 (no probe)	2,900.00

EAGLE Portable Series

Four Gas Models

Part#	Description	Suggested Retail
72-5402RK	EAGLE for LEL & PPM / O2 / H2S / SO2 (with H2S filter)	2,900.00
72-5497RK	EAGLE for LEL & PPM / O2 / HCl (ES-23E sensor) / Cl2 (ES-239B sensor)	3,500.00
72-5461RKS	EAGLE for LEL & PPM / O2 / HCl / AsH3 (0 - 0.2 ppm)	3,500.00
72-5461RK	EAGLE for LEL & PPM / O2 / HCl / AsH3 (0 - 1.0 ppm)	3,500.00
72-5446RK-XX	EAGLE for LEL & PPM / O2 / HCl / CO2 (specify CO2 range)	3,500.00
72-5449RK	EAGLE for LEL & PPM / O2 / HCl / HCN	3,500.00
72-5429RK	EAGLE for LEL & PPM / O2 / HCl / NH3	3,500.00
72-5440RK	EAGLE for LEL & PPM / O2 / HCl / PH3	3,500.00
72-5424RK	EAGLE for LEL & PPM / O2 / HCl / SiH4	3,500.00
72-5488RK	EAGLE for LEL & PPM / O2 / HCN / PH3, with external G-92 filter	3,600.00
72-5420RK	EAGLE for LEL & PPM / O2 / HF / NH3 (no probe)	3,500.00
72-5481RK	EAGLE for LEL & PPM / O2 / HF / NO (no probe), with external G-92 filter	3,600.00
72-5465RK	EAGLE for LEL & PPM / O2 / HF / SiH4 (no probe)	3,500.00
72-5448RK-XX	EAGLE for LEL & PPM / O2 / NH3 / CO2 (specify CO2 range).....	3,500.00
72-5425RK	EAGLE for LEL & PPM / O2 / NH3 / NO2	3,500.00
72-5433RK	EAGLE for LEL & PPM / O2 / NH3 / SiH4	3,500.00
72-5462RK	EAGLE for LEL & PPM / O2 / NO / HCl.....	3,500.00
72-5498RKS	EAGLE for LEL & PPM / O2 / O3 / ASH3 (0 - 0.2 ppm) with external G-92 filter	3,600.00
72-5432RK	EAGLE for LEL & PPM / O2 / O3 / Cl2 (no probe), (O3 & Cl2 cross interference)	3,500.00
72-5477RK-XX	EAGLE for LEL & PPM / O2 / O3 / CO2 (specify CO2 range)	3,500.00
72-5435RK	EAGLE for LEL & PPM / O2 / O3 / HCl (no probe) (O3 & HCl cross interference)	3,500.00
72-5409RK	EAGLE for LEL & PPM / O2 / O3 / HNO3 (no probe)	3,500.00
72-5408RK	EAGLE for LEL & PPM / O2 / PH3 / NH3	3,500.00
72-5471RK-01	EAGLE for LEL & PPM / O2 / PH3 / SiH4 with ES-23AH sensor	3,500.00
72-5466RK	EAGLE for LEL & PPM / O2 / SiH4 / NO2	3,500.00
72-5476RK	EAGLE for LEL & PPM / O2 / SO2 (0 - 15 ppm) / NO2,with H2S scrubber	3,500.00
72-5434RK	EAGLE for LEL & PPM / O2 / SO2 / HCN	3,500.00
72-5445RK	EAGLE for LEL & PPM O2 / CO / HF / NH3 (no probe)	3,500.00
72-5401RK-IR	EAGLE for LEL CH4 (IR) / O2 / CO / H2S	2,900.00
72-5407RK	EAGLE for O2 / CO / Cl2 / NH3	3,500.00
72-5472RK-XX	EAGLE for O2 / CO / CO2 / SO2 (specify CO2 range)	3,500.00
72-5469RK	EAGLE for O2 / CO / H2S / NH3	2,900.00
72-5492RK-XX	EAGLE for O2 / CO / NH3 / CO2 (specify CO2 range)	3,500.00
72-5460RK-XX	EAGLE for O2 / CO / NO2 / CO2 (specify CO2 range)	3,500.00
72-5444RK	EAGLE for O2 / CO / NO2 / HCN	3,500.00
72-5426RK	EAGLE for O2 / H2S / HCl / NH3	3,500.00
72-5494RK-XX	EAGLE for O2 / H2S / NH3 / CO2 (specify CO2 range)	3,500.00
72-5484RK-XX	EAGLE for O2 / HS / CO / CO2 (specify CO2 range)	2,900.00
72-5463RK-XX	EAGLE for O2/ CO / CO2 HCN (specify CO2 range)	3,500.00

Instrument Price Includes

See "All EAGLE Instrument Prices Include" on page 55.

Calibration Kits

Instrument #	Cal-Kit Part #	Cal-Kit Description	Price
72-5401RK	81-5401RK	Cal kit, EAGLE, 58AL cyl H2S (25 ppm)/CO/CH4/O2, dem flow reg, case & tubing	580.00
	81-5401RK-LV	Cal kit, EAGLE, 34AL cyl H2S (25 ppm)/CO/CH4/O2, reg with gauge & knob, gas bag, case & tubing	395.00

For additional cal kits see page 113.

EAGLE Portable Series

Five Gas Models

NOTE: Data logging cannot be added to 5 or 6 gas EAGLES.

Part#	Description	Suggested Retail
72-5540RKS	EAGLE for LEL & PPM / O2 / CO / AsH3 (0 - 0.2 ppm) / NH3	3,750.00
72-5534RK-XX	EAGLE for LEL & PPM / O2 / CO / AsH3 / CO2 (specify CO2 range)	3,750.00
72-5506RK	EAGLE for LEL & PPM / O2 / CO / Cl2 / NH3	3,750.00
72-5539RK	EAGLE for LEL & PPM / O2 / CO / Cl2 / SiH4	3,750.00
72-5520RK-XX	EAGLE for LEL & PPM / O2 / CO / CO2 / NH3 (specify CO2 range).....	3,750.00
72-5521RK-XX	EAGLE for LEL & PPM / O2 / CO / CO2 / PH3 (specify CO2 range)	3,750.00
72-5554RK-XX	EAGLE for LEL & PPM / O2 / CO / H2S (0 - 1 ppm) / CO2 (specify CO2 range)	3,750.00
72-5503RK-01	EAGLE for LEL & PPM / O2 / CO / H2S (0 - 30 ppm) / NH3	3,750.00
72-5504RK-XX	EAGLE for LEL & PPM / O2 / CO / H2S / CO2 (specify CO2 range)	3,050.00
72-5529RK	EAGLE for LEL & PPM / O2 / CO / H2S / F2 (no probe)	3,050.00
72-5508RK	EAGLE for LEL & PPM / O2 / CO / H2S / HCl	3,050.00
72-5525RK	EAGLE for LEL & PPM / O2 / CO / H2S / HF (no probe)	3,050.00
72-5503RK	EAGLE for LEL & PPM / O2 / CO / H2S / NH3	3,050.00
72-5509RK	EAGLE for LEL & PPM / O2 / CO / H2S / O3 (no probe)	3,050.00
72-5501RK	EAGLE for LEL & PPM / O2 / CO / H2S / SO2 (with H2S filter)	3,050.00
72-5546RK	EAGLE for LEL & PPM / O2 / CO / HBr / Br2	3,750.00
72-5515RKS	EAGLE for LEL & PPM / O2 / CO / HCl / AsH3 (0 - 0.2 ppm)	3,750.00
72-5515RK	EAGLE for LEL & PPM / O2 / CO / HCl / AsH3 (0 - 1.0 ppm)	3,750.00
72-5541RK	EAGLE for LEL & PPM / O2 / CO / HCl / B2H6	3,750.00
72-5514RK	EAGLE for LEL & PPM / O2 / CO / HCl / NH3	3,750.00
72-5524RK	EAGLE for LEL & PPM / O2 / CO / HCl / PH3	3,750.00
72-5543RK	EAGLE for LEL & PPM / O2 / CO / HCl / SO2 with external H2S scrubber	3,850.00
72-5518RK	EAGLE for LEL & PPM / O2 / CO / HCN / AsH3 (0 - 1.0 ppm)	3,750.00
72-5533RK	EAGLE for LEL & PPM / O2 / CO / HCN / NH3	3,750.00
72-5552RK	EAGLE for LEL & PPM / O2 / CO / HF / GeH4 (no probe)	3,750.00
72-5542RK	EAGLE for LEL & PPM / O2 / CO / HF / HCN (no probe)	3,750.00
72-5536RK	EAGLE for LEL & PPM / O2 / CO / HF / NH3, (no probe).....	3,750.00
72-5528RK	EAGLE for LEL & PPM / O2 / CO / NH3 / PH3	3,750.00
72-5537RK	EAGLE for LEL & PPM / O2 / CO / NH3 / SO2, with external H2S scrubber	3,850.00
72-5553RK-XX	EAGLE for LEL & PPM / O2 / CO / NO / CO2 (specify CO2 range) with 3 gas block & internal charcoal / purafil scrubber	3,750.00
72-5513RK-XX	EAGLE for LEL & PPM / O2 / CO / NO2 / CO2 (specify CO2 range)	3,750.00
72-5532RK	EAGLE for LEL & PPM / O2 / CO / NO2 / HF (no probe)	3,750.00
72-5544RK	EAGLE for LEL & PPM / O2 / CO / NO2 / SO2 (ES-23E sensor) with external H2S scrubber	3,850.00
72-5535RK	EAGLE for LEL & PPM / O2 / CO / O3 / HCN (no probe)	3,750.00
72-5545RK	EAGLE for LEL & PPM / O2 / CO / O3 / NO2 (no probe)	3,750.00
72-5548RK-XX	EAGLE for LEL & PPM / O2 / H2S / CO2 (specify CO2 range) / HCN	3,750.00
72-5523RK-XX	EAGLE for LEL & PPM / O2 / H2S / CO2 / NH3 (specify CO2 range)	3,750.00
72-5512RK	EAGLE for LEL & PPM / O2 / H2S / HF / NH3 (no probe)	3,750.00
72-5549RK	EAGLE for LEL & PPM / O2 / H2S / O3 / HNO3 (no probe)	3,750.00
72-5527RK-XX	EAGLE for LEL & PPM / O2 / CO / Cl2 / CO2 (specify CO2 range)	3,750.00
72-5502RK	EAGLE for LEL & PPM / O2 / CO / H2S / Cl2	3,050.00
72-5526RK	EAGLE for LEL & PPM / O2 / H2S / NH3 / Cl2 (E3-23AH-CL2)	3,750.00
72-5531RK	EAGLE for O2 / CO / H2S / HF / NH3 (no probe)	3,750.00
72-5538RK-XX	EAGLE for O2 / H2S / CO / NH3 / CO2 (specify CO2 range)	3,750.00

Instrument Price Includes

See "All EAGLE Instrument Prices Include" on page 55.

For additional cal kits see page 114.

EAGLE Portable Series

Six Gas Models

Part#	Description	Suggested Retail
72-5601RK	EAGLE for LEL & PPM / O2 / CO / H2S / Cl2 / NH3	3,900.00
72-5602RK	EAGLE for LEL & PPM / O2 / CO / H2S / HCl / NH3	3,900.00
72-5607RK	EAGLE for LEL & PPM / O2 / CO / H2S / HF / NH3 (no probe)	3,900.00
72-5608RK-XX	EAGLE for LEL & PPM / O2 / CO / H2S / NH3 / CO2 (specify CO2 range)	3,900.00
72-5612RK-XX	EAGLE for LEL & PPM / O2 / CO / H2S / Cl2 / CO2 (specify CO2 range).....	3,900.00
72-5613RK-OS	EAGLE for LEL & PPM / O2 / CO / H2S / ClO2 / SO2 (with external H2S scrubber)	4,000.00
72-5616RK-XX	EAGLE for LEL & PPM / O2 / CO / H2S / SO2 / CO2 (with external H2S scrubber) (Specify CO2 range) ...	4,000.00
72-5617RK	EAGLE for LEL & PPM / O2 / CO / H2S / SO2 / NH3 (with external H2S scrubber)	4,000.00
72-5618RK	EAGLE for LEL & PPM / O2 / CO / HS / HF / Cl2 (no probe)	3,900.00
72-5619RK	EAGLE for LEL & PPM / O2 / CO / H2S / HBr / NH3	3,900.00
72-5620RK-XX	EAGLE for LEL & PPM / O2 / CO / H2S / HCl / CO2 (with external H2S scrubber) (Specify CO2 range) ...	4,000.00
72-5621RK	EAGLE for LEL & PPM / O2 / CO / H2S / Cl2 (ES-K239B sensor) / SO2 (with external H2S scrubber)	4,000.00
72-5622RK	EAGLE for LEL & PPM / O2 / CO / H2S / HF / NO2 (with external H2S scrubber) and (no probe).....	4,000.00
72-5624RK	EAGLE for LEL & PPM / O2 / CO / H2S / O3 / NH3 (no probe)	3,900.00

Instrument Price Includes

See "All EAGLE Instrument Prices Include" on page 55.

For additional cal kits see page 115.

EAGLE Portable Series

EAGLE Replacement Sensors

NOTE: Different EAGLE toxic sensors are available for the same gas in some cases. **When ordering replacement sensors, it is essential to get the sensor type numbers off the old sensor**, or else the incorrect sensor may be purchased. Different sensor types, or gas types, are not interchangeable without also changing the amplifier board and possibly other hardware.

Standard 4 Gas Sensors

Part#	Description	Suggested Retail
62-0125RK	Sensor, LEL / ppm Hydrocarbon (NC-6260), EAGLE standard catalytic sensor	200.00
65-0601RK	Sensor, Oxygen (O2) (OS-B3), for EAGLE, EAGLE 2, or RX-415	160.00
65-2005RK	Sensor, Carbon Monoxide (CO), 0 - 500 ppm range, EAGLE/EAGLE 2	195.00
65-2035RK	Sensor, Hydrogen Sulfide (H2S), 0 - 100 ppm range, EAGLE (standard H2S sensor)	195.00
ES-87RW-H2S	Sensor, Hydrogen Sulfide (H2S), 0 - 1000 ppm range, EAGLE 2 standard, EAGLE marine versions	195.00

Toxic Gas Sensors

Part#	Description	Suggested Retail
ES-23R-NH3	Sensor, Ammonia (NH3), (new style) 0 - 75 ppm range, (higher range optional)	465.00
ES-23AHS-ASH3	Sensor, Arsine (AsH3) 0 - 0.20 ppm range or 0 - 1.00 ppm range	465.00
ES-K233-BR2	Sensor, Bromine (Br2) 0 - 1.00 ppm range	465.00
65-2009RK	Sensor, Carbon Monoxide (CO) sensor, H2 compensated, EAGLE	320.00
ES-23-CO	Sensor, Carbon Monoxide (CO), large, 0 - 150 ppm range	465.00
ES-K233-Cl2	Sensor, Chlorine (Cl2) 0 - 3.00 ppm range (Family acid gas sensor)	465.00
ES-K239B-CL2	Sensor, Chlorine (Cl2), 0 - 3.00 ppm, H2S resistant	465.00
ES-23AY-B2H6	Sensor, Diborane (B2H6) 0 - 0.30 ppm range	465.00
ES-23AH-B2H6	Sensor, Diborane (B2H6) 0 - 30 ppm range	465.00
ES-K233-F2	Sensor, Fluorine (F2) 0 - 3.00 ppm range	465.00
ES-23E-N2H4	Sensor, Hydrazine (N2H4), 0 - 5 ppm range	465.00
ES-23E-HBR	Sensor, Hydrogen Bromide (HBr) 0 - 9.00 ppm range	465.00
ES-K233-HCL	Sensor, Hydrogen Chloride (HCl) 0 - 15 ppm range (with Cl2 response)	465.00
ES-23E-HCL	Sensor, Hydrogen Chloride (HCl), 0 - 15 ppm range, (no Cl2 response)	465.00
ES-23DH-HCN	Sensor, Hydrogen Cyanide (HCN) 0 - 30 ppm range	465.00
ES-K233-HF	Sensor, Hydrogen Fluoride (HF) 0 - 9.00 ppm range	465.00
ES-23E-HI	Sensor, Hydrogen Iodide (HI), 0-5 ppm	465.00
ES-23DH-H2O2	Sensor, Hydrogen Peroxide (H2O2), 0-3 PPM, GD-K8	465.00
ES-23SD-H2SE	Sensor, Hydrogen Selenide (H2Se) 0 - 0.20 ppm range	465.00
ES-23AH-H2S	Sensor, Hydrogen Sulfide (H2S), 0 - 1.00 ppm range	465.00
ES-237-H2S	Sensor, Hydrogen Sulfide (H2S), 0 - 30 ppm range	465.00
ES-K233-I2	Sensor, Iodine (I2), 0 - 1 ppm	465.00
ES-K233-HNO3	Sensor, Nitric Acid (HNO3), 0 - 20 ppm	465.00
ES-23A-NO	Sensor, Nitric Oxide (NO) 0 - 100 ppm range	465.00
ES-23AH-NO2	Sensor, Nitrogen Dioxide (NO2) 0 - 15 ppm range	465.00
ES-23AH-O3	Sensor, Ozone (O3) 0 - 5.00 ppm range (old style)	465.00
ES-K239C-O3	Sensor, Ozone (O3) 0-1 ppm, new style, replaces ES-K239-O3	465.00
ES-23AH-PH3	Sensor, Phosphine (PH3) 0 - 1.00 ppm range (no H2 response)	465.00
ES-23DH-SiH4	Sensor, Silane (SiH4) 0 - 15 ppm range, new style (with H2 response)	465.00
ES-23AH-SiH4	Sensor, Silane (SiH4) 0 - 15 ppm range, old style (no H2 response)	465.00
ES-23E-SO2	Sensor, Sulfur Dioxide (SO2) 0 - 30 ppm range (or 0 - 15 ppm range)	465.00
ES-238-SO2	Sensor, Sulfur Dioxide (SO2), new style, 0 - 10 ppm (or 0 - 6 ppm) range	465.00

IR Sensors

Part#	Description	Suggested Retail
61-5010RK	IR sensor / pcb assembly, Carbon Dioxide (CO2), 0 - 5% volume range, EAGLE, DE-3113-1	750.00
61-5011RK	IR sensor / pcb assembly, Carbon Dioxide (CO2), 0 - 5,000 ppm & 10,000 ppm range, EAGLE, DE-3113-2	750.00
61-5012RK	IR sensor / pcb assembly, Carbon Dioxide (CO2), 0 - 20% & 60% volume range, EAGLE, DE-3113-6	750.00
61-5020RK	IR sensor / pcb assembly, Methane (CH4), 0 - 100% LEL & 0 - 100% volume autoranging, EAGLE, DE-3113-3	750.00
61-5021RK	IR sensor / pcb assembly, HC, 100 % LEL / 30% volume, autoranging, EAGLE, DE-3113-11	750.00
61-5025RK	IR sensor / pcb assembly, Methane (CH4), 0 - 100% LEL range, EAGLE, DE-3113-3	750.00

EAGLE Portable Series

Calibration Equipment

Part#	Description	Suggested Retail
81-0012RK-01	Cylinder, Methane, 50% LEL in Air, 34L	55.00
81-0012RK-03	Cylinder, Methane, 50% LEL/Air, 103L	155.00
81-0064RK-01	Cylinder, CO, 50 ppm in Air, 34L	55.00
81-0064RK-03	Cylinder, CO, 50 ppm in Air, 103L	155.00
81-0090RK-01	Cylinder, CO 50 ppm / Methane 50% LEL / O2 12 % in N2, 34L	55.00
81-0090RK-03	Cylinder, CO 50 ppm / Methane 50% LEL / O2 12 % in N2, 103L	195.00
81-0142RK-02	Cylinder, SO2 5 PPM / H2S 25 ppm / CO 50 ppm / CH4 50% LEL / O2 12% in N2, 58AL	260.00
81-0142RK-04	Cylinder, SO2 5 PPM / H2S 25 ppm / CO 50 ppm / CH4 50% LEL / O2 12% in N2, 34AL	170.00
81-0151RK-02	Cylinder, H2S 25 ppm in N2, 58AL	175.00
81-0154RK-02	Cylinder, H2S 25 ppm / CO 50 ppm / CH4 50% LEL / O2 12% in N2, 58AL	240.00
81-0154RK-04	Cylinder, H2S 25 ppm / CO 50 ppm / CH4 50% LEL / O2 12% in N2, 34AL	165.00
81-0170RK-02	Cylinder, SO2 5 ppm in N2, 58AL	175.00
81-0175RK-02	Cylinder, Ammonia, 10 ppm in N2, 58AL	350.00
81-0185RK-02	Cylinder, Phosphine, 0.5 ppm in N2, 58AL.....	380.00
81-0192RK-02	Cylinder, Cl2, 2 ppm in N2, 58AL	350.00
81-0195RK-02	Cylinder, HCl, 5 ppm in N2, 58AL	350.00
81-1001RK	Dispensing valve, 17/34L	28.00
81-1051RK-60	Regulator, with gauge & knob, 34AL/58AL/103L, 6.0 LPM	125.00
81-1054RK	Regulator, demand flow for 34AL/58AL/103L	280.00
81-1055RK	Regulator, demand flow for 17L/34L steel cylinders.....	280.00
82-0006RK	Screwdriver, pot adjust, no logo	3.80

EAGLE Portable Series

EAGLE Replacement Parts and Accessories

Part#	Description	Suggested Retail
06-1273RK	Tubing, teflon, semi-rigid, for EAGLE super toxic gas versions, (standard type, order by the foot)	5.00
07-6020RK	O-ring for EAGLE probe	0.90
08-0077RK	E-6000 sealant (for replacing membrane switch)	8.00
13-0100RK	Shoulder Strap with RKI logo, EAGLE / EAGLE 2	28.00
17-0522RK	Exhaust fitting, 1/8" hose barb	10.00
17-0601RK	Rubber elbow for internal filter, EAGLE & others	2.00
17-4807RK	Inlet fitting, plastic for Br2/F2/HCl/HF/CLO3/O3 EAGLES	4.00
20-0640RK	Carrying case, padded for EAGLE/EAGLE 2 & RX-415/RI-415, with space for instruments and accessories	180.00
20-0642RK	Carrying case, padded for EAGLE / EAGLE 2 instrument with space for calibration kit and accessories	320.00
29-5000RK	Label, Membrane Switch, EAGLE	31.50
30-0522RK	Inlet fitting, standard, metal, quick disconnect, female, EAGLE/1641/GX-4000A	38.00
30-0600RK-01	Pump, internal, with connector, EAGLE/RP-GX-94	195.00
30-0608RK	Pump rebuild kit, for 30-0600RK-01 (pump version 7.51.82) (current standard)	50.00
31-2050RK	Sensor, pressure differential for EAGLE, 0 - 10 mm H2O	28.00
33-0156RK-01	Replacement hydrophobic filter element for probe, (pack of 5), EAGLE / EAGLE 2 probe	14.00
33-0156RK-100	Replacement hydrophobic filter element for probe (pack of 100), EAGLE / EAGLE 2 probe	200.00
33-0160RK	Dust filter, internal, plastic, GX-4000 / RX-415	2.40
33-0164RK	Filter, oil mist removal, Balston, 9900-05-BK, EAGLE / EAGLE 2 / marine	40.00
33-0165RK	Filter, Millipore, PTFE, Disc type, hydrophobic, EAGLE, Fixed Systems	27.00
33-0171RK	Filter replacement, AcroPak 300 with PTFE membrane, 0.2 um	140.00
33-0171RK-01	Filter, installed internally, AcroPak 300 with PTFE membrane, 0.2 um	140.00
33-0173RK	Filter, internal, hydrophobic, EAGLE 2	10.00
33-1031RK	Cotton balls, filters for probe, bag of 25	4.00
33-1041RK	Rubber cup probe tip, for soil surveys	25.00
33-1200RK	Particle filter replacement, 5 microns, for new style EAGLE 2 probes (not for use with PID sensors)	3.00
33-2002RK-01	Humidifier, 24" for cal kits, with 3/16" tubing on ends, for EAGLE	280.00
33-3015RK	Filter, pleated paper type for 80-0182RK probe	7.00
33-6010RK-01	CO2 Scrubber with fitting and tubing for standard EAGLE / EAGLE 2	48.00
33-6011RK	H2S Scrubber, for SO2 EAGLE	60.00
33-6020RK	Filter, G-92, Zeolite, for ASH3 sensors, fixed systems / EAGLE	40.00
33-6091RK	Charcoal filter replacement, EAGLE	12.00
35-0110RK	Dummy Sensor, H2S/CO, EAGLE	10.00
35-0111RK	Dummy Sensor, O2, EAGLE	12.00
35-0112RK	Dummy Sensor, LEL, EAGLE	12.00
47-5010RK	Cable with connector for LEL, EAGLE/EAGLE 2	21.00
49-1140RK	Size D alkaline battery	2.20
49-1240RK	Battery, Ni-Cad, D size	15.00
49-2149RK	Charger, 220 VAC, EAGLE	115.00
49-2150RK	Ni-Cad battery Charger, -Delta V type, 115VAC, with alkaline recognition, EAGLE	115.00
49-2150RK-01	Charger (115VAC) and Ni-Cads, added to EAGLE	155.00
49-2151RK	Battery charger, 12 VDC, with cigarette lighter plug, EAGLE	115.00
49-2152RK	Continuous operation adaptor/charger, 115VAC, with 20' cable, EAGLE	150.00
49-2153RK	Continuous operation adaptor / charger, 12 VDC, with 20' cable, with cigarette lighter plug, EAGLE	130.00
52-0206RK	Lapel buzzer for high noise areas	135.00
52-1017RK-01	Internal buzzer, extra loud (90 db at 2 feet), added to EAGLE top case	85.00
52-2034RK	Remote audible alarm with 20' cable, EAGLE	95.00
57-0010RK	PCB assembly, main CPU, EAGLE	368.00
57-0011RK	PCB assembly, analog, EAGLE	420.00
57-0012RK	Data logging board for field installation (also need 82-5007RK), EAGLE (check availability)	140.00
57-0012RK-01	Data logging board, factory installed (also need 82-5007RK), EAGLE (check availability)	140.00
57-0019RK	PCB assembly, battery, jumper side, EAGLE	24.00
57-0020RK	PCB assembly, I. S. barrier / battery power, standard EAGLE (No IR sensors)	65.00
71-8000RK	Training CD, EAGLE, GX-2001, GX-2003, GasWatch 2, and -01 series	0.00
75-0001RK	External methane elimination switch added to EAGLE	95.00
80-0101RKE	Floating ball / hose assembly, 25', with EAGLE/EAGLE 2 fitting	120.00
80-0131RK-10	Probe, 10", hydrophobic, standard, with particle filter and metal fittings, EAGLE / EAGLE 2	55.00
80-0132RK-10	Probe, 10", hydrophobic, without particle filter, with plastic fittings for toxic gas versions (HCL/CLO2/etc), EAGLE	54.00
80-0133RK-10	Probe, 30", aluminum, with particle filter and 1641 fittings, EAGLE	95.00

EAGLE Portable Series

EAGLE Replacement Parts and Accessories

Part#	Description	Suggested Retail
80-0133RK-20	Probe, 30", aluminum, without particle filter and 1641 fittings, EAGLE	95.00
80-0134RK-10	Probe, 4', stainless steel, with particle filter, handle, and 1641 fittings, EAGLE	200.00
80-0134RK-20	Probe, 4', stainless steel, without particle filter, handle, and 1641 fittings, EAGLE	200.00
80-0135RK-10	Probe, 30", stainless steel, with particle filter and 1641 fittings, EAGLE	110.00
80-0135RK-20	Probe, 30", stainless steel, without particle filter and 1641 fittings, EAGLE	110.00
80-0136RK	Probe, 32", extendible (10" collapsed), fiberglass, with dust filter, (cotton ball), EAGLE / EAGLE 2	65.00
80-0137RK	Probe, 10" plastic, with dust filter (cotton ball), for EAGLE	36.00
80-0143RK	Extendible probe, 7' (collapsible to 2'), fiberglass with filter for EAGLE	88.00
80-0160RK-12	Extendible probe, 12', with 1641 fittings, EAGLE	250.00
80-0160RK-18	Extendible probe, 18', with 1641 fittings, EAGLE	250.00
80-0182RK	Probe, with internal paper dust filter, pleated paper type, EAGLE/GX-4000A	84.00
80-0211RK	Water Trap (bowl type) with 1641 fittings with pleated paper filter, EAGLE	85.00
80-0224RK	Filter, hydrophobic, in-line type (ACRO-50), with EAGLE fittings (1641)	70.00
80-0226RK	Hydrophobic filter, external, in-line, for EAGLE supertoxic versions, ACRO-50 with teflon tube, EAGLE ...	56.00
80-0405RK	Dilution fitting 50:50, for EAGLE only (for use with hose & probe), with 1641 fittings	95.00
80-0406RK	Dilution fitting 3 to 1 for EAGLE only (for use with hose & probe), with 1641 fittings	120.00
80-0505RK	Hose, 5' polyurethane with fittings (standard gas versions only), EAGLE / EAGLE 2	40.00
80-0506RKT	Hose, 6', teflon lined, (for heavy hydrocarbon use), with 1641 fittings, EAGLE/EAGLE 2	100.00
80-0510RK	Hose, 10', polyurethane (for standard gases only), with 1641 fittings, EAGLE/EAGLE 2	45.00
80-0515RK	Hose, 15', polyurethane (for standard gases only), with 1641 fittings, EAGLE/EAGLE 2	50.00
80-0520RK	Hose, 20', polyurethane (for standard gases only), with 1641 fittings, EAGLE/EAGLE 2	55.00
80-0525RK	Hose, 25', polyurethane (for standard gases only), with 1641 fittings, EAGLE/EAGLE 2	60.00
80-0530RK	Hose, 30', polyurethane (for standard gases only), with 1641 fittings, EAGLE/EAGLE 2	70.00
80-0540RK	Hose, 40', polyurethane (for standard gases only), with 1641 fittings, EAGLE/EAGLE 2	80.00
80-0550RK	Hose, 50', polyurethane (for standard gases only), with 1641 fittings, EAGLE/EAGLE 2	90.00
80-0560RK	Hose, 60', polyurethane (for standard gases only), with 1641 fittings, EAGLE/EAGLE 2	100.00
80-0575RK	Hose, 75', polyurethane (for standard gases only), with 1641 fittings, EAGLE/EAGLE 2	115.00
80-0599RK	Hose, 100', polyurethane (for standard gases only), with 1641 fittings, EAGLE/EAGLE 2	140.00
80-0599RK-125	Hose, 125', polyurethane (for standard gases only), with 1641 fittings, EAGLE/EAGLE 2	170.00
80-0802RK	Float probe assembly, 12', (without dilution fitting), EAGLE tank tester version	340.00
82-5007RK	Data logging kit, downloading, EAGLE	165.00

Specialty Portable Instruments

SC-01	Single Toxic Gas Monitor
GP-1000	Sample Draw Combustible with 25 Selectable Gases
NC-1000	PPM Scale Combustible Detector
SP-220	Combustible, Toxic, and Fumigant Leak Detector
SP-220	Accessories & Replacement Parts
FP-31	Formaldehyde Monitor
FI-8000	Optical Interferometer for Fumigants
OX-07	Oxygen Monitor with available Extender Cable
RI-85	Hand Held Infrared CO2 Monitor
SC-8000	Toxic Sample Draw Gas Monitor
GX-8000	Harsh Environment Sample Draw Gas Monitor
RX-8000	Series IR Combustible Monitor, 0 - 100% LEL / Volume
RX-8000	Series Dual Gas IR For LEL / Volume HC & Oxygen
RX-515, RX-516, & RX-517	Multi-gas IR Monitors <i>(Limited supply. Check availability)</i>

Discontinued Portable Replacement Parts

Discontinued Model		Replacement Model
GasWatch 2	Single Gas Monitor	03 Series
01 Series	Single Gas Monitor	03 Series
GX-2001	Four Gas Personal Monitor	GX-2009
GX-2003	Five in One Sample Draw	GX-2012
P-200 Series	Hand Aspirated Single Gas (GP-204, NP-204, XP-204)	GP-8000 / NC-1000
FP-30 / FP-40	Formaldehyde Monitor	FP-31
RI-415 & RX-415 Series	Combustible Monitors, 0-100% LEL / Volume RI-415 & RX-415	RX-8000
GX-94	Two, Three or Four Gas Diffusion	GX-2009
GX-82A & GX-86A	Multi-Gas Diffusion Monitor	GX-2009
GX-4000A	Four Gas Detector (GX-111)	Eagle, Eagle 2 or GX-8000
GP-226	Dual Range Combustible Detector	Eagle, Eagle 2 or GX-8000
OX-226	Oxygen Detector	Eagle, Eagle 2 or GX-8000
OX-1C	Oxygen Sample Draw Detector	Eagle, Eagle 2 or GX-8000

Specialty Portable Instruments

SC-01 Single Toxic Gas Monitor



Part#	Description	Suggested Retail
73-0050RK-NH3	SC-01 toxic gas detector, ammonia (NH3), 0 - 75 ppm, with alligator clip	745.00
73-0051RK-NH3	SC-01 toxic gas detector, ammonia (NH3), 0 - 75 ppm, with belt clip	745.00
73-0050RK-ASH3	SC-01 toxic gas detector, arsine (AsH3), 0 - 1.50 ppm, with alligator clip	745.00
73-0051RK-ASH3	SC-01 toxic gas detector, arsine (AsH3), 0 - 1.50 ppm, with belt clip	745.00
73-0050RK-CO	SC-01 toxic gas detector, carbon monoxide (CO), 0 - 75 ppm, with alligator clip	745.00
73-0051RK-CO	SC-01 toxic gas detector, carbon monoxide (CO), 0 - 75 ppm, with belt clip	745.00
73-0050RK-CL2	SC-01 toxic gas detector, chlorine (Cl2), 0 - 3.00 ppm, with alligator clip	745.00
73-0051RK-CL2	SC-01 toxic gas detector, chlorine (Cl2), 0 - 3.00 ppm, with belt clip	745.00
73-0050RK-HCN	SC-01 toxic gas detector, hydrogen cyanide (HCN), 0 - 15.0 ppm, with alligator clip	745.00
73-0051RK-HCN	SC-01 toxic gas detector, hydrogen cyanide (HCN), 0 - 15.0 ppm, with belt clip	745.00
73-0050RK-H2S	SC-01 toxic gas detector, hydrogen sulfide (H2S), 0 - 30.0 ppm, with alligator clip	745.00
73-0051RK-H2S	SC-01 toxic gas detector, hydrogen sulfide (H2S), 0 - 30.0 ppm, with belt clip	745.00
73-0050RK-PH3	SC-01 toxic gas detector, phosphine (PH3), 0 - 1.00 ppm, with alligator clip	745.00
73-0051RK-PH3	SC-01 toxic gas detector, phosphine (PH3), 0 - 1.00 ppm, with belt clip	745.00
73-0050RK-SO2	SC-01 toxic gas detector, sulfur dioxide (SO2), 0 - 6.00 ppm, with alligator clip	745.00
73-0051RK-SO2	SC-01 toxic gas detector, sulfur dioxide (SO2), 0 - 6.00 ppm, with belt clip	745.00
73-0050RK-NS	SC-01 toxic gas detector, without sensor, with alligator clip	595.00
73-0051RK-NS	SC-01 toxic gas detector, without sensor, with belt clip	595.00

Instrument Price Includes

20-0322RK	Rubber boot for SC-01
49-1120RK	Size AA alkaline battery

Calibration Kits

Instrument #	Cal-Kit Part #	Cal-Kit Description	Price
73-0050RK-ASH3 73-0051RK-ASH3	81-SC01ASH3	Cal kit, SC-01, 58AL cyl 0.5 ppm PH3/N2, reg with gauge & knob, cal cup, case & tubing	650.00
	81-SC01ASH3-LV	Cal kit, SC-01, 34AL cyl 0.5 ppm PH3/N2, reg with gauge & knob, cal cup, case & tubing	570.00
73-0050RK-CL2 73-0051RK-CL2	81-SC01CL2	Cal kit, SC-01, 58AL cyl 2 ppm Cl2/N2, reg with gauge & knob, cal cup, case & tubing	620.00
	81-SC01CL2-LV	Cal kit, SC-01, 34AL cyl 2 ppm Cl2/N2, reg with gauge & knob, cal cup, case & tubing	525.00
73-0050RK-CO 73-0051RK-CO	81-SC01CO	Cal kit, SC-01, 103L cyl 50 ppm CO/N2, reg with gauge & knob, cal cup, case & tubing	415.00
	81-SC01CO-LV	Cal kit, SC-01, 34L cyl 50 ppm CO/N2, reg with gauge & knob, cal cup, case & tubing	320.00
73-0050RK-H2S 73-0051RK-H2S	81-SC01H2S	Cal kit, SC-01, 58AL cyl 25 ppm H2S/N2, reg with gauge & knob, cal cup, case & tubing	440.00
	81-SC01H2S-LV	Cal kit, SC-01, 34AL cyl 25 ppm H2S/N2, reg with gauge & knob, cal cup, case & tubing	405.00
73-0050RK-HCN 73-0051RK-HCN	81-SC01HCN	Cal kit, SC-01, 58AL cyl 10 ppm HCN/N2, reg with gauge & knob, cal cup, case & tubing	620.00
	81-SC01HCN-LV	Cal kit, SC-01, 34AL cyl 10 ppm HCN/N2, reg with gauge & knob, cal cup, case & tubing	525.00
73-0050RK-NH3 73-0051RK-NH3	81-SC01NH3	Cal kit, SC-01, 58AL cyl 10 ppm NH3/N2, reg with gauge & knob, cal cup, case & tubing	620.00
	81-SC01NH3-LV	Cal kit, SC-01, 34AL cyl 10 ppm NH3/N2, reg with gauge & knob, cal cup, case & tubing	515.00
73-0050RK-SO2 73-0050RK-SO2	81-SC01SO2	Cal kit, SC-01, 58AL cyl 5 ppm SO2/N2, reg with gauge & knob, cal cup, case & tubing	445.00
	81-SC01SO2-LV	Cal kit, SC-01, 34AL cyl 5 ppm SO2/N2, reg with gauge & knob, cal cup, case & tubing	415.00

Specialty Portable Instruments

SC-01 Replacement Sensors

<u>Part#</u>	<u>Description</u>	<u>Suggested Retail</u>
ESM-011-CO	Sensor, Carbon Monoxide (CO), 0-75 ppm, ESM-01 plug-in diffusion type	195.00
ESM-017-H2S	Sensor, Hydrogen Sulfide (H2S), 0 - 30 ppm, ESM-01 plug-in diffusion type	195.00
ESM-01DH-ASH3	Sensor, Arsine (AsH3), 0 - 1.50 ppm, ESM-01 plug-in type	195.00
ESM-01DH-D-SO2	Sensor, Sulfur Dioxide (SO2), 0 - 6 ppm, ESM-01 plug-in type	195.00
ESM-01DH-HCN	Sensor, Hydrogen Cyanide (HCN), 0 - 15 ppm, ESM-01 plug-in type	195.00
ESM-01DH-PH3	Sensor, Phosphine (PH3), 0 - 1.0 ppm, ESM-01 plug-in type	195.00
ESM-01R-D-NH3	Sensor, Ammonia (NH3), 0 - 75 ppm, ESM-01 plug-in type, for diffusion instruments	195.00
ESM-K01-D-CL2	Sensor, Chlorine (Cl2), 0 - 3 ppm, ESM-01 plug-in diffusion type	195.00

SC-01 Accessories & Replacement Parts

<u>Part#</u>	<u>Description</u>	<u>Suggested Retail</u>
06-1283RK	Tubing, teflon/polyurethane, 1/4" OD x 1/8" ID, 3', for toxic gas cal kits ...	12.00
13-0215RK	Alligator clip for SC-01 & OX-07	12.40
13-0216RK	Alligator clip mounting bracket for SC-01	3.50
13-0217RK	Belt clip for SC-01	9.00
20-0322RK	Rubber boot for SC-01 & OX-07	20.00
21-1875RK	Battery cover for SC-01 & OX-07	12.00
21-1876RK	Sensor retainer with rubber guard and o-rings for SC-01 & OX-07	70.00
47-1561RK	Extender cable, 3 meters, for SC-01	280.00
47-5084RK-01	Downloading cable, USB / IrDA adapter, Windows XP, Windows 7, & Windows 8 compatible (Not needed if computer has built-in IR port)	220.00
49-1120RK	Size AA alkaline battery	1.20
81-0062RK-01	Cylinder, Carbon Monoxide 50 ppm in N2, 34L	55.00
81-0062RK-03	Cylinder, Carbon Monoxide, 50 ppm in N2, 103L	155.00
81-0151RK-02	Cylinder, H2S 25 ppm in N2, 58AL	175.00
81-0151RK-04	Cylinder, H2S 25 ppm in N2, 34AL	125.00
81-0170RK-02	Cylinder, SO2 5 ppm in N2, 58AL	175.00
81-0170RK-04	Cylinder, SO2 5 ppm in N2, 34AL	135.00
81-0175RK-02	Cylinder, Ammonia, 10 ppm in N2, 58AL	350.00
81-0175RK-04	Cylinder, Ammonia, 10 ppm in N2, 34AL	225.00
81-0185RK-02	Cylinder, Phosphine, 0.5 ppm in N2, 58AL	380.00
81-0185RK-04	Cylinder, Phosphine, 0.5 ppm in N2, 34AL	280.00
81-0192RK-02	Cylinder, Cl2, 2 ppm in N2, 58AL	350.00
81-0192RK-04	Cylinder, Cl2, 2 ppm in N2, 34AL	235.00
81-0196RK-02	Cylinder, HCN, 10 ppm in N2, 58AL	350.00
81-0196RK-04	Cylinder, HCN, 10 ppm in N2, 34AL	235.00
81-1051RK	Regulator, with gauge & knob, 34AL/58AL/103L, 0.5 LPM	125.00
81-1051RK-25	Regulator, with gauge and knob, 34AL/58AL/103L, 0.25 LPM	125.00
81-1139RK	Cup cup, for general SC-01 use, (NOT for CL2 or NH3)	80.00
81-1139RK-CL2	Cup cup, for chlorine (Cl2) SC-01	80.00
81-1139RK-NH3	Cup cup, for ammonia (NH3) SC-01	80.00
82-5011RK-USB	Downloading kit with software & IrDA to USB cable	125.00
83-0010RK	Data downloading software for SC-01	25.00



Specialty Portable Instruments

GP-1000 Sample Draw Combustible with 25 Selectable Gases

<u>Part#</u>	<u>Description</u>	<u>Suggested Retail</u>
72-0076-CH4	GP-1000 sample draw combustible detector for methane, 0 - 10% LEL / 100% LEL	995.00
72-0076-CH4-01	GP-1000 sample draw combustible detector for methane, 0 - 10% LEL / 100% LEL, with carrying case and screen protector	1,100.00
72-0076-CH4-51	GP-1000 sample draw combustible detector for methane, 0 - 10% LEL / 100% LEL, with carrying case, 34L 50% LEL CH4 in Air, demand flow regulator, tubing and screen protector	1,550.00
72-0076-HC	GP-1000 sample draw combustible detector for isobutane, 0 - 10% LEL / 100% LEL	995.00



Calibration Kits

<u>Instrument #</u>	<u>Cal-Kit Part #</u>	<u>Cal-Kit Description</u>	<u>Price</u>
72-0076-CH4 72-0076-CH4-01	81-GP1000-DLV	Cal kit, GP-1000, 34AL 50% CH4 in air, dem flow reg, case & tubing	410.00
72-0076-HC	81-GP1000IBDLV	Cal kit, GP-1000, 34AL 50% isobutane in air, dem flow reg, case & tubing	410.00

NC-1000 PPM Scale Combustible Detector

<u>Part#</u>	<u>Description</u>	<u>Suggested Retail</u>
72-0077-HC	NC-1000 sample draw combustible detector for isobutane, 0 - 1000 ppm / 10,000 ppm	1,950.00



GP-1000 & NC-1000 Accessories & Replacement Parts

<u>Part#</u>	<u>Description</u>	<u>Suggested Retail</u>
07-2033	Gasket for sensor, fluorine contained rubber for GP-1000 & NC-1000.....	5.40
10-1132	Screw M3 x 8, SUS304	1.80
13-0112RK	Wrist strap	4.00
17-1000RK	Inlet fitting (also needs o-ring 07-6000RK)	8.80
20-0273	Carrying case with shoulder strap, for GP/NC-1000	110.00
21-1140	LCD Module for GP-1000 & NC-1000	50.00
21-1926	LCD protection film for instrument display	5.40
21-1926-01	LCD protection film for instrument display, pack of 5	26.00
21-1936	Filter case, IP252BR1, for NC-1000	18.00
21-1937	Top cover assembly for NC-1000	176.00
21-1940	Battery lid for FP-31, GP-1000, & NC-1000.....	5.40
21-1941	Batter lid locking plate for FP-31, GP-1000,& NC-1000	2.00
30-0022RK	Pump replacement for GX-2012/Gas Tracer/RP-2009/GX-6000/FP-31/NC-1000, with cable and connector	140.00
33-0159RK	Teflon filter disc, 10 pieces, RP-2009/RP-6/GX-2003/GX-2012/Gas Tracer/GX-6000/NC-1000	24.00
33-0179	Hydrophobic filter for main case of GP-1000 & NC-1000	3.60
33-6017	H2S removal cartridge filter CF-8390	44.00
33-7127	Silicone removal cartridge filter CF-8391	44.00
49-1406RK	Battery, lithium, CR 1220, for main PCB for GX-2012, Gas Tracer, GP-1000, & NC-1000	4.40
80-0172	Probe with hydrophobic filter, dust filter, no scrubber section, for GX-6000 (not for Cl2 use)	28.00
80-0173	Probe with tube, GF-267, with middle section for scrubber,for GX-6000	26.00
80-0402	Dilutor (Gas: Air = 1:1)	88.00
NC-6215	Sensor, LEL, NC-6215, GX-8000 and GP-1000	360.00
NC-6307	Sensor for NC-1000, catalytic.....	360.00

Calibration Kits

<u>Instrument #</u>	<u>Cal-Kit Part #</u>	<u>Cal-Kit Description</u>	<u>Price</u>
72-0077-HC	81-NC1000-DLV	Cal kit, NC-1000, 34AL isobutane 500 ppm in air, dem flow reg, case & tubing	410.00

Specialty Portable Instruments

SP-220 Combustible, Toxic, and Fumigant Leak Detector

<u>Part#</u>	<u>Description</u>	<u>Suggested Retail</u>
72-0064-05	SP-220 gas leak checker, type SC for super toxics	680.00
72-0064-06	SP-220 gas leak checker, type SC for fumigation gases	840.00
72-0064-07	SP-220 gas leak checker, type M for methane	840.00
72-0064-08	SP-220 gas leak checker, type L for LPG	840.00



SP-220 Accessories & Replacement Parts

<u>Part#</u>	<u>Description</u>	<u>Suggested Retail</u>
07-2002	Filter packing for SP-220, black	3.00
07-6045	O-ring JASO 2026 EPDM, for SP-220	3.00
13-0112RK	Wrist strap	4.00
17-1001RK	Tapered rubber inlet nozzle, 4", RP-2009/RP-6/GX-2003/GX-2012/Gas Tracer	8.00
20-0328	Protective rubber boot for SP-220	38.00
29-6100	Water immersion sensing seal, adhesive backed for 03 series, GX-6000, and SP-220	15.00
30-0022RK	Pump replacement for GX-2012/Gas Tracer/RP-2009/GX-6000/FP-31/NC-1000, with cable and connector	140.00
33-0153	Filter disks, teflon for SP-220, pack of 5	8.00
33-0178	Dust filter for SP-220, set of 5 pieces	15.00
33-6099	Charcoal filter cartridge for SP-220, CF-8392	23.00
49-1120RK	Size AA alkaline battery	1.20
SH-8661	Sensor for SP-220 type methane & LPG versions	350.00
SH-8662	Sensor for SP-220 type FUM & SC versions	425.00

Calibration Kits

<u>Instrument #</u>	<u>Cal-Kit Part #</u>	<u>Cal-Kit Description</u>	<u>Price</u>
72-0064RK-05	81-SP22005-LV	Cal kit, SP-220, 34AL PH3 0.5 ppm, dem flow reg, case & tubing	645.00

FP-31 Formaldehyde Monitor

<u>Part#</u>	<u>Description</u>	<u>Suggested Retail</u>
73-1063	Model FP-31 (15 & 30 minute averages) Formaldehyde monitor	1,050.00



Instrument Price Includes

Leather case, 4 AA batteries, Box of 20 detection tablets

Replacement Parts & Accessories

<u>Part#</u>	<u>Description</u>	<u>Suggested Retail</u>
15-0503	Spring for positive battery contact on FP-31	4.00
15-0504	Battery spring A for FP-31	2.40
15-0505	Battery spring B for FP-31	3.50
21-1940	Battery lid for FP-31	6.00
21-1941	Batter lid locking plate for FP-31	2.00
21-1942	Top case assembly for FP-31	68.00
30-0022RK	Pump replacement for GX-2012/Gas Tracer/RP-2009/GX-6000/FP-31, with cable and connector.....	140.00
33-3014RK	Tobacco filter, GX-7/GX-8000/RX-8000/FP-31, pack of 10	5.00
49-1406RK	Battery, lithium, CR 1220, for main PCB, GX-2012 / Gas Tracer	4.40
51-1134	LCD module for FP-31	54.00
57-2091	Main PCB assembly for FP-31.....	350.00
57-5092	Tab cover assembly for FP-31.....	56.00
65-TAB-008	Detection tablets for FP-31/-30/-40, box of 20, (1 test each) Formaldehyde (use for -008,-009,-010)	85.00
81-FP31	Calibration and zero tabs for FP-31	625.00
82-1001	Tripod stand for FP-31	94.00
82-1001-01	Tripod attachment for FP-31	40.00

Specialty Portable Instruments

OX-07 Oxygen Monitor with available Extender Cable



Part#	Description	Suggested Retail
72-0009RK	OX-07 oxygen detector, 0 - 40% volume	995.00

Replacement Parts & Accessories

13-0215RK	Alligator clip for SC-01 & OX-07	12.40
20-0322RK	Rubber boot for SC-01 & OX-07	20.00
21-1875RK	Battery cover for SC-01 & OX-07	12.00
21-1876RK	Sensor retainer with rubber guard and o-rings for SC-01 & OX-07	70.00
47-1557RK-05	Extender cable, 5 meters for OX-07	295.00
47-1557RK-10	Extender cable, 10 meters for OX-07	360.00
47-1557RK-20	Extender cable, 20 meters for OX-07	520.00
47-1557RK-30	Extender cable, 30 meters for OX-07	660.00
81-OX07-LV	Cal kit, OX-07, 34L cyl 100% N2, reg with gauge & knob, cal cup, case & tubing	335.00
OS-B01	Sensor, Oxygen (O2), 0-40% vol, plug-in diffusion type, for OX-07	195.00

Calibration Kits

Instrument #	Cal-Kit Part #	Cal-Kit Description	Price
72-0009RK	81-OX07-LV	Cal kit, OX-07, 34L cyl 100% N2, reg with gauge & knob, cal cup, case & tubing	335.00

RI-85 Hand Held Infrared CO2 Monitor

Part#	Description	Suggested Retail
73-0570RK	Model RI-85, hand held IR CO2 monitor, 0 - 10,000 ppm, sample draw with internal pump. Includes alkaline batteries, coiled hose, probe, and vinyl cover	1,450.00
73-0570RK-05	Model RI-85, hand held IR CO2 monitor, 0 - 5%, sample draw with internal pump. Includes alkaline batteries, coiled hose, probe, and vinyl cover	1,450.00



Calibration Kits

Instrument #	Cal-Kit Part #	Cal-Kit Description	Price
73-0570RK	81-RI85	Cal kit, RI-85, 34L cyl 5, 000 ppm CO2/N2, 34L cyl 100% N2, disp valve, gas bag, case & tubing	205.00
73-0570RK-05	81-RI85-05	Cal kit, RI-85, 34L cyl 2.5% CO2/N2, 34L cyl 100% N2, disp valve, gas bag, case & tubing	205.00

Specialty Portable Instruments

FI-8000 Optical Interferometer for Fumigants

<u>Part#</u>	<u>Description</u>	<u>Suggested Retail</u>
73-4021-XX-01	FI-8000 for fumigation, hand aspirated type with alkaline batteries, 48 mm chamber length, 0-100% NH ₃	4,600.00
73-4021-XX-01P	FI-8000 for fumigation, pump type with alkaline batteries, 48 mm chamber length, 0-100% NH ₃	4,600.00



ORDERING INFORMATION: When ordering an FI-8000 Interferometer, please specify the following components:

- 1) Gas and range
- 2) Pump type or hand aspirator type (select by part number above).

Instrument Price Includes

Instrument, vinyl case, hose, absorption tube, & alkaline batteries

Replacement Parts & Accessories

49-1120RK	Size AA alkaline battery	1.20
49-1320RK	Battery, NiMH, AA (requires 3)	4.00
49-3105RK	Charger, NiMH, charges four AA or AAA size with A/C adapter and DC vehicle plug	36.00

SC-8000 Toxic Sample Draw Gas Monitor

<u>Part#</u>	<u>Description</u>	<u>Suggested Retail</u>
73-0052-XXX	SC-8000 alkaline version, (use -XXX to specify gas)	3,300.00
73-0053-XXX	SC-8000 Li-ion version, (use -XXX to specify gas)	3,560.00



Replacement Sensors

<u>Part#</u>	<u>Description</u>	<u>Suggested Retail</u>
ESM-23R-NH3	Sensor, Ammonia (NH ₃), 0-75 ppm, for GD-K88Ai, GD-K71D, GD-K77D, and SC-8000	480.00
ESM-23RH-NH3	Sensor, Ammonia (NH ₃), 0-75 ppm, for GD-K88Ai, GD-K71D, GD-K77D, and SC-8000, high humidity use	480.00
ESM-23AHS-ASH3	Sensor, Arsine (AsH ₃), 0-0.2 ppm, for GD-K88Ai, GD-K71D, GD-K77D, and SC-8000	480.00
ESM-23-CO	Sensor, Carbon Monoxide (CO), 0-150 ppm, for GD-K88Ai, GD-K71D, GD-K77D, and SC-8000	480.00
ESM-K233-CL2	Sensor, Chlorine (Cl ₂), 0-3 ppm, for GD-K88Ai, GD-K71D, GD-K77D, and SC-8000	480.00
ESM-K233CS-CLFC	Sensor, Chlorine Trifluoride (ClF ₃), 0-0.6 ppm, for GD-K88Ai, GD-K71D, GD-K77D, and SC-8000 (no acid gas sensitivity)	480.00
ESM-23AY-B2H6	Sensor, Diborane (B ₂ H ₆), 0-0.3 ppm, for GD-K88Ai, GD-K71D, GD-K77D, and SC-8000	480.00
ESM-23DH-Si2H6	Sensor, Disilane (Si ₂ H ₆), 0-15 ppm, for GD-K88Ai, GD-K71D, GD-K77D, and SC-8000	480.00
ESM-K233-F2	Sensor, Fluorine (F ₂), 0-3 ppm, for GD-K88Ai, GD-K71D, GD-K77D, and SC-8000	480.00
ESM-23DH-GEH4	Sensor, Germane (GeH ₄), 0-0.8 ppm, for GD-K88Ai, GD-K71D, GD-K77D, and SC-8000	480.00
ESM-23E-HBR	Sensor, Hydrogen Bromide (HBr), 0-9 ppm, for GD-K88Ai, GD-K71D or GD-K77D	480.00
ESM-23E-HCL	Sensor, Hydrogen Chloride (HCl), 0-15 ppm, (with H ₂ response) for GD-K88Ai, GD-K71D, GD-K77D, and SC-8000	480.00
ESM-K233-HCL	Sensor, Hydrogen Chloride (HCl), 0-15 ppm, for GD-K88Ai, GD-K71D, GD-K77D, and SC-8000	480.00
ESM-23DH-HCN	Sensor, Hydrogen Cyanide (HCN), 0-30 ppm, for GD-K88Ai, GD-K71D, GD-K77D, and SC-8000	480.00
ESM-K233-HF	Sensor, Hydrogen Fluoride (HF), 0-9 ppm, for GD-K88Ai, GD-K71D, GD-K77D, and SC-8000	480.00
ESM-23DH-MS	Sensor, Methyl Silane (CH ₃ SiH ₃), 0-20 ppm, for GD-K88Ai, GD-K71D, GD-K77D, and SC-8000	480.00
ESM-23AH-NO2	Sensor, Nitrogen Dioxide (NO ₂), 0-15 ppm, for GD-K88Ai, GD-K71D, GD-K77D, and SC-8000	480.00
ESM-K239C-O3	Sensor, Ozone (O ₃), 0-1.0 ppm, for GD-K88Ai, GD-K71D, GD-K77D, and SC-8000	480.00
ESM-23AH-PH3	Sensor, Phosphine (PH ₃), 0-1 ppm, for GD-K88Ai, GD-K71D, GD-K77D, and SC-8000	480.00
ESM-23DH-SiH4	Sensor, Silane (SiH ₄), 0-15 ppm, for GD-K88Ai, GD-K71D, GD-K77D, and SC-8000, with H ₂ response	480.00
ESM-23AH-SiH4	Sensor, Silane (SiH ₄), 0-15 ppm, low H ₂ response, for GD-K88Ai, GD-K71D, GD-K77D, and SC-8000	480.00
ESM-23E-SO2	Sensor, Sulfur Dioxide (SO ₂), 0-30 ppm, for GD-K88Ai, GD-K71D, GD-K77D, and SC-8000	480.00
ESM-238-SO2	Sensor, Sulfur Dioxide (SO ₂), 0-6 ppm, for GD-K71D, GD-K77D, and SC-8000	480.00

Specialty Portable Instruments

SC-8000 Toxic Sample Draw Gas Monitor

Calibration Kits

Instrument #	Cal-Kit Part #	Cal-Kit Description	Price
73-0052-ASH3 73-0053-ASH3	81-5107RKS-LV	Cal kit, EAGLE, 34AL cyl PH3/N2, 34L cyl N2 100%, reg, gas bag, screwdriver, case & tubing	705.00
73-0052-CL2 73-0053-CL2 73-0052-F2 73-0053-F2 73-0052-HBR 73-0053-HBR 73-0052-HF 73-0053-HF	81-5106RK-DLV	Cal kit, EAGLE, 34AL cyl 2 ppm Chlorine/N2, dem reg, screwdriver, case & tubing	605.00
73-0052-CO 73-0053-CO	81-5104RK-LV	Cal kit, EAGLE, 34L cyl 50 ppm Carbon Monoxide/Air, disp valve, gas bag, case & tubing	185.00
73-0052-HCL 73-0053-HCL	81-5110RK-LV	Cal kit, EAGLE, 34AL cyl 5 ppm Hydrogen Chlorine/N2, reg, gas bag, screwdriver, case & tubing	505.00
73-0052-HCN 73-0053-HCN	81-5123RK-DLV	Cal kit, EAGLE, 34AL cyl 10 ppm Hydrogen Cyanide/N2, dem reg, screwdriver, case & tubing	605.00
73-0052-NH3 73-0053-NH3	81-5111RK-DLV	Cal kit, EAGLE, 34AL cyl 10 ppm Ammonia/N2, dem reg, screwdriver, case & tubing	570.00
73-0052-NO2 73-0053-NO2	81-5114RK-LV	Cal kit, EAGLE, 34AL cyl 10 ppm Nitrogen Dioxide/Air, reg with gauge & knob, screwdriver, case & tubing	470.00
73-0052-O3 73-0053-O3	81-5109RK	Cal kit, EAGLE, 58AL cyl 2 ppm Chlorine/N2, 103L cyl 100% Nitrogen, reg, gas bag, screwdriver, case & tubing	735.00
73-0052-PH3 73-0053-PH3	81-5108RK-DLV	Cal kit, EAGLE, 34AL cyl 0.5 ppm Phosphine/N2, dem reg, screwdriver, case & tubing	645.00
73-0052-SIH4 73-0053-SIH4	81-5117RK	Cal Kit, EAGLE, 58AL cyl 5 ppm Silane/N2, dem flow reg, screwdriver, case & tubing	720.00
73-0052-SO2 73-0053-SO2	81-5105RK-LV	Cal kit, EAGLE, 34AL cyl 5 ppm SO2/N2, reg, gas bag, screwdriver, case & tubing	370.00

Specialty Portable Instruments

GX-8000 Harsh Environment Sample Draw Gas Monitor



Combustibles (CH ₄ , i-C ₄ H ₁₀ , H ₂ , and others)		O ₂	H ₂ S	CO
% LEL	% Volume			
Catalytic combustion	Thermal Conductivity	Galvanic Cell	Electrochemical Cell	
0 ~ 100% LEL	0 ~ 100% Vol.	0 ~ 40% Vol.	0 ~ 100 ppm	0 ~ 500 ppm

Part#	Description	Suggested Retail
72-0320RK	GX-8000, 1 sensor, LEL (specify calibration) with alkaline battery pack	1,275.00
72-0320RKC	GX-8000, 1 sensor, LEL (specify calibration) with Li-Ion battery pack and 115/220 VAC charger	1,645.00
72-0321RK	GX-8000, 1 sensors, O ₂ with alkaline battery pack	1,275.00
72-0321RKC	GX-8000, 1 sensor, Oxygen (O ₂) with lithium ion battery pack and 115/220 VAC charger	1,645.00
72-0322RKC	GX-8000, 2 sensors, LEL (specify calibration) / Oxygen (O ₂) with lithium ion battery pack and 115/220 VAC charger	2,370.00
72-0323RKC	GX-8000, 3 sensors, LEL (specify calibration) / Oxygen (O ₂) / Hydrogen Sulfide (H ₂ S) with lithium ion battery pack and 115/220 VAC charger	3,250.00
72-0324RKC	GX-8000, 3 sensors, LEL (specify calibration) / Oxygen (O ₂) / Carbon Monoxide (CO) with lithium ion battery pack and 115/220 VAC charger	3,250.00
72-0325RKC	GX-8000, 3 sensors, LEL (specify calibration) / % volume Methane (CH ₄) / Oxygen (O ₂) with lithium ion battery pack and 115/220 VAC charger	3,250.00
72-0326RKC	GX-8000, 4 sensors, LEL (specify calibration) / Oxygen (O ₂) / Hydrogen Sulfide (H ₂ S) / Carbon Monoxide (CO) with lithium ion battery pack and 115/220 VAC charger	3,750.00
72-0326RKC-01	GX-8000, 4 sensors, LEL (specify calibration) / Oxygen (O ₂) / Hydrogen Sulfide (H ₂ S) / Carbon Monoxide (CO) with lithium ion battery pack and 115/220 VAC charger, special version for coal / bulk carriers with dilution fitting for inert applications	3,790.00
72-0327RKC	GX-8000, 5 sensors, % Vol (CH ₄) / LEL / O ₂ / H ₂ S / CO with Li-Ion battery pack and 115/220 VAC charger	3,995.00

Instrument Price Includes

10' hose, probe, and Operators Manual

Replacement Sensors

Part#	Description	Suggested Retail
65-1058RK	Sensor, Oxygen (O ₂), OS-BM1, RX-515, -516, -517/GX-94/GX-8000	150.00
65-2008RK	Sensor, Carbon Monoxide (CO) (ES-031), GX-94 / GX-8000	175.00
ES-0371-H2S	Sensor, Hydrogen Sulfide (H ₂ S), 0 - 100 ppm for GX-8000	280.00
NC-6215	Sensor, LEL, NC-6215, GX-8000	360.00
TE-7515	Sensor, TC % volume combustibles, thermal conductivity, TE-7515, GX-8000	360.00

GX-8000 Replacement Parts & Accessories

Part#	Description	Suggested Retail
20-0281RK	Carrying case, leather for GX-8000/RX-8000	220.00
30-0023RK	Pump with cable and connector, RP-11, for GX-8000/RX-8000	350.00
33-3014RK	Tobacco filter, GX-7/GX-8000/RX-8000/FP-31, pack of 10	5.00
33-3060RK	Filter tube without filter for GX-8000/RX-8000	18.00
33-7122RK	Filter, charcoal disk, CF031, for GX-8000, pack of 10	44.00
49-0115RK	115 / 220 VAC Adapter for charger, GX-6000/GX-2009/GX-2012/Gas Tracer/EAGLE 2/GX-8000	20.00
49-1613RK	Battery pack, lithium ion, GX-8000	780.00
49-1614RK	Battery pack, alkaline, GX-8000	440.00
80-0011RK	Hose, 30 meter, quick disconnect, RI-415 marine version, Riken style (orange)	240.00
80-0012RK	Hose, 3' coiled, polyurethane, RI-411/RI-413A/GP-226/GX-8000/RX-8000	45.00
80-0101RK	Hose with floating head, 8 meters (25 feet), with GX-/RX- series	98.00
80-0101RK-60	Hose with floating head, 60 ft, with GX-7 fitting, RX- series	125.00
80-0171RK	Probe, 10", plastic, GF-256, for GX-8000/RX-8000	70.00

Note: 49-0115RK adapter is the complete charger for the GX-8000 series.

Specialty Portable Instruments

RX-8000 Series IR Combustible Monitor, 0 - 100% LEL / Volume

Part#	Description	Suggested Retail
73-0617	RX-8000, 0-100% LEL & 0-100% vol CH4 (methane calibration) with alkaline battery pack	2,295.00
73-0617C	RX-8000, 0-100% LEL & 0-100% vol CH4 (methane calibration) with lithium ion battery pack and 115 / 220 VAC charger	2,340.00
73-0618	RX-8000, 0-100% LEL & 0-100% vol HC (isobutane calibration) with alkaline battery pack	2,295.00
73-0618C	RX-8000, 0-100% LEL & 0-100% vol HC (isobutane calibration) with lithium ion battery pack and 115 / 220 VAC charger	2,340.00



Calibration Kits

Instrument #	Cal-Kit Part #	Cal-Kit Description	Price
73-0617 73-0617C	81-RI415CH4	Cal kit, RI-415/RX-8000, 34L cyl 50% LEL CH4/Air, 34L cyl 50% vol CH4/Air, disp valve, gas bag, two gas bags, case & tubing	305.00
73-0618 73-0618C	81-RI415HC	Cal kit, RI-415/RX-8000, 34L cyl 50% LEL isobutane/Air, 17L cyl 10% vol isobutane/N2, disp valve, two gas bags, case & tubing	310.00

RX-8000 Series Dual Gas IR For LEL/Volume HC & Oxygen

Part#	Description	Suggested Retail
73-0615	RX-8000, 0-100% LEL & 0-100% vol CH4, & 0-25% O2, land version (methane calibration) with alkaline battery pack	2,395.00
73-0615C	RX-415, 0-100% LEL & 0-100% vol CH4, & 0-25% O2, land version (methane calibration) with lithium ion battery pack and 115 / 220 VAC charger	2,440.00
73-0616	RX-8000, 0-100% LEL & 0-100% vol HC, & 0-25% O2, (isobutane calibration) with alkaline battery pack	2,395.00
73-0616C	RX-8000, 0-100% LEL & 0-100% vol HC, & 0-25% O2, (isobutane calibration) with lithium ion battery pack and 115 / 220 VAC charger	2,440.00

Calibration Kits

Instrument #	Cal-Kit Part #	Cal-Kit Description	Price
73-0615 73-0615C	81-RX415CH4	Cal kit, RX-415/RX-8000, 34L cyl 50% LEL CH4/Air, 34L cyl 50% vol CH4/Air, 34L cyl 100% N2, disp valve, 3 gas bags, case & tubing	385.00
73-0616 73-0616C	81-RX415HC	Cal kit, RX-415/RX-8000, 34L cyl 50% LEL isobutane/Air, 17L cyl 10% vol isobutane/Air, 34L cyl 100% N2, disp valve, three gas bags, case & tubing	390.00
	81-RX415HCD	Cal kit, RX-415/RX-8000, 34L cyl 50% LEL isobutane/Air, 34L cyl 10% vol isobutane/Air, 34L cyl 100% N2, dem flow reg, case & tubing	525.00

RX-8000 Replacement Sensor

Part#	Description	Suggested Retail
65-1058RK	Sensor, Oxygen (O2), OS-BM1 for RX-8000, GX-8000, RX-515, -516, -517, GX-94	150.00
DE-3113-13	Sensor, IR, Methane (CH4) 0 - 100% LEL / 0 - 100% volume auto range for RX-8000	1,350.00
DE-3123-4	Sensor, IR, Hydrocarbons (HC) 0 - 100% LEL / 0 - 100% volume auto range for RX-8000	1,350.00

Specialty Portable Instruments

RX-8000 Replacement Parts & Accessories

Part#	Description	Suggested Retail
20-0281RK	Carrying case, leather for GX-8000/RX-8000	220.00
21-1808RK	Charcoal filter case (lid) for GX-8000/RX-8000	3.50
30-0023RK	Pump with cable and connector, RP-11, for GX-8000/RX-8000	350.00
33-0180	Hydrophobic filter disk, for CF-8385, GX-8000/RX-8000, pack of 10	12.00
33-3014RK	Tobacco filter, GX-7/GX-8000/RX-8000/FP-31, pack of 10	5.00
33-3015RK	Filter, pleated paper type for 80-0182RK probe	7.00
33-3060RK	Filter tube without filter for GX-8000/RX-8000	18.00
45-2430RK	Plug adapter for charger, US to Euro, non-grounded	3.60
47-5084RK-01	Downloading cable, USB / IrDA adapter, Windows XP, Windows 7, & Windows 8 compatible (Not needed if computer has built-in IR port)	220.00
49-0115RK	115 / 220 VAC Adapter for charger, GX-6000/GX-2009/GX-2012/Gas Tracer/EAGLE 2/GX-8000.....	20.00
49-1617	Battery pack, lithium ion, BUL-8000 (R) for RX-8000	780.00
49-1618	Battery pack, alkaline, BUD-8000 (R) for RX-8000	440.00
65-7002	Dummy Sensor, plastic, GX-8000/RX-8000	14.00
80-0011RK	Hose, 30 meter, quick disconnect, RI-415 marine version, Riken style (orange)	240.00
80-0012RK	Hose, 3' coiled, polyurethane, RI-411/RI-413A/GP-226/GX-8000/RX-8000	45.00
80-0101RK	Hose with floating head, 8 meters (25 feet), with GX-/RX- series	98.00
80-0101RK-60	Hose with floating head, 60 ft, with GX-7 fitting, RX- series	125.00
80-0171RK	Probe, 10", plastic, GF-256, for GX-8000/RX-8000	70.00
81-0012RK-01	Cylinder, Methane, 50% LEL in Air, 34L	55.00
81-0013RK-01	Cylinder, Methane, 50% volume in N2, 34L	55.00
81-0018RK-01	Cylinder, isobutane 50% LEL in Air, 34L	55.00
81-0019RK	Cylinder, isobutane 10% in N2, 17L	60.00
81-0078RK-01	Cylinder, N2 100%, 34L	55.00
81-1131RK	Gas bag, Green, LEL range, for RI/RX-415	45.00
81-1132RK	Gas bag, Orange, Volume range, for RI/RX-415	45.00

Note: 49-0115RK adapter is the complete charger for the RX-8000 series.

Specialty Portable Instruments

RX-515, RX-516, & RX-517 Multi-Gas IR Monitors *(Limited supply. Check availability)*

Part#	Description	Suggested Retail
73-0610RK	RX-515, 0-100% LEL / 0-100% vol CH4 / 0-25% O2 / 0-1,000 ppm CO / 0-20% CO2	3,650.00
73-0611RK	RX-516, 0-100% LEL / 0-100% vol HC / 0-25% O2 / 0-100 ppm H2S.....	3,300.00
73-0612RK	RX-517, 0-100% LEL / 0-100% vol HC / 0-100 ppm H2S / 0-1,000 ppm H2S / 0-25% O2.....	3,650.00



Calibration Kits

Instrument #	Cal-Kit Part #	Cal-Kit Description	Price
73-0610RK	81-RX515-LV	Cal kit, RX-515, 34L cyl 10% vol CH4 in N2, 34L cyl 50% LEL CH4 in Air, 34L cyl 100 ppm CO in N2, 34L cyl 15% CO2 in N2, dispensing valve, three gas bags, case & tubing	425.00
73-0611RK 73-0612RK	81-RX517-LV	Cal kit, RX-517, 34L cyl 50 ppm H2S/50% LEL isobutane in N2, 17L cyl 10% vol isobutane/N2, disp valve, two gas bags, case & tubing	490.00

Replacement Sensors For RX-515, RX-516, & RX-517

Part#	Description	Suggested Retail
61-5006RK	Sensor, IR, Methane (CH4), RI/RX-415, RX-8000, model DE-3113-4	1,260.00
61-5007RK	Sensor, IR, Hydrocarbons (HC), RI/RX-415, RX-8000, model DE-3123-1	1,260.00
65-1058RK	Sensor, Oxygen (O2), OS-BM1 for RX-8000, GX-8000, RX-515, -516, -517, GX-94	150.00
ES-031M-CO	Sensor, Carbon Monoxide (CO), 0 - 1,000 ppm for RX-515	225.00
ES-037R-H2S	Sensor, Hydrogen Sulfide (H2S), low range 0 - 100 ppm, ES-037R for RX-516/RX-517	165.00
ES-037RM-H2S	Sensor, Hydrogen Sulfide (H2S), high range 0 - 1,000 ppm, ES-037R, for RX-517	225.00

Replacement Parts & Accessories For RX-515, RX-516, & RX-517

Part#	Description	Suggested Retail
30-0017RK	Pump assembly for RI-415	380.00
30-0019RK	Pump assembly for RX-415	230.00
33-0160RK	Dust filter, internal, plastic, GX-4000 / RX-415	2.40
33-3057RK	Filter with flow monitor for RX-415, quick connect fittings on both ends	195.00
47-5060RK	Downloading cable, RC-3, for RX-515 / RX-516 / RX-517	135.00
49-1130RK	Battery, C size, alkaline battery	2.00
80-0009RK-99	Hose, 100', polyurethane, RKI style, GX-2012/Gas Tracer/GX-20003/RP-2009	98.00
80-0011RK	Hose, 30 meter, quick disconnect, RI-415 marine version, Riken style (orange)	240.00
80-0012RK	Hose, 3' coiled, polyurethane, RI-411/RI-413A/GP-226/GX-8000/RX-8000	45.00
80-0015RK	Connection tube for RI-415, 1', female GX-7 to 4 x 6 mm tube	16.00
80-0101RK	Hose with floating head, 8 meters (25 feet), with GX-/RX- series	98.00
80-0150RK	Probe assembly, 10", with cotton ball filter	25.00
80-0152RK	Probe assembly for RI-413A/RI-413A/RI-415/GP-88S/SP-237H	30.00
80-0213RK	Water trap, bowl type, for GX-7/GP-226/RI-411/RI-413A	75.00
80-0225RK	Hydrophobic filter, in line, ACRO - 50 with fittings for GX-7/GX-2001/GX-2003/GX-2012/Gas Tracer and RX-415	65.00
81-0018RK-01	Cylinder, isobutane 50% LEL in Air, 34L	55.00
81-0019RK	Cylinder, isobutane 10% in N2, 17L	60.00
81-0078RK-01	Cylinder, N2 100%, 34L	55.00
81-1131RK	Gas bag, Green, LEL range, for RI/RX-415	45.00
81-1132RK	Gas bag, Orange, Volume range, for RI/RX-415	45.00
82-5014RK	Datalogging package for RX-515 / RX-516 / RX-517	150.00

Note: 49-00115RK adapter is the complete charger for the RX-8000 series.

Specialty Portable Instruments

Discontinued Portables Replacement Parts

GasWatch 2 Single Gas Monitor



Part#	Description	Suggested Retail
07-0029RK	Sensor gasket for GasWatch 2	2.00
10-1097RK	Screw, M2 x 2.5 mm for battery cover of GasWatch 2	0.40
10-1100RK-03	Screw sets, 8 case screws and 4 battery cover screws for GasWatch 2	7.00
13-0105RK	Watchband replacement, GasWatch 2	7.00
13-0113RK	Neck strap with breakaway, GasWatch 2/GX-2001	8.00
13-0204RK	Spring bar with outer tube for 03 Series and wrist band of GasWatch 2	1.00
13-0211RK	Belt clip for GasWatch 2	18.00
21-1834RK	Sensor cap for GasWatch 2.....	3.00
33-0166RK	Sensor cover, disc, 10 pack, GasWatch 2 / -01 series.....	18.00
33-7106RK	Filter, charcoal, for CO sensor, strip of 5, GX-2001, GasWatch 2, & CO-03	12.00
49-1404RK	Lithium battery, 3.0 volt, coin type, CR 2450.....	3.00
71-8000RK	Training CD, EAGLE, GX-2001, GX-2003, GasWatch 2, and -01 series	0.00
72-0007RK	GasWatch 2, model GW-2X, 0 - 40% vol. O2 with watch band	360.00
75-0016RK-01	Alligator clip for field installation (installation requires tool, part # 82-0001RK), for GasWatch 2	22.00
81-0064RK-01	Cylinder, CO, 50 ppm in Air, 34L.....	55.00
81-0076RK-01	Cylinder, Zero Air, 34 L	55.00
81-0151RK-04	Cylinder, H2S 25 ppm in N2, 34AL	125.00
81-1104RK	Calibration adapter for -01 series & GasWatch 2	33.00
82-0001RK	Tool for removing pins for watchband or clip	14.00

GasWatch 2 Replacement Sensors

Part#	Description	Suggested Retail
ES-1821	Sensor, Carbon Monoxide (CO) for GX-2009/GX-2012/GX-6000/CO-03/GasWatch 2/Gas Tracer	145.00
ES-1827i	Sensor, Hydrogen Sulfide (H2S) for GX-2009/GX-2012/GX-6000/HS-03/GasWatch 2	145.00
OS-BM2	Sensor, Oxygen (O2) for GX-2009/GX-2012/GX-6000/GasWatch 2/OX-03/Gas Tracer.....	125.00

GasWatch 2 Calibration Kits

Instrument #	Cal-Kit Part #	Cal-Kit Description	Price
72-0007RK	81-GW2X-LV	Cal kit, GW2, 34L cyl 100% N2, reg with gauge & knob, cal cup, case & tubing	290.00
73-0040RK	81-GW2C-LV	Cal kit, GW2, 34L cyl CO / N2, reg with gauge & knob, cal cup, case & tubing	290.00
73-0041RK	81-GW2H-LV	Cal kit, GW2, 34AL cyl H2S/N2,reg with gauge & knob, cal cup, case & tubing	360.00

Discontinued Portables Replacement Parts

01 Series Accessories & Replacement Parts



<u>Part#</u>	<u>Description</u>	<u>Suggested Retail</u>
07-6009RK	Battery cover gasket for GP-01	13.00
10-1099RK	Screw, M2 x 4 mm, pan head, phillips, stainless steel, GP-01	0.40
10-1105RK	Screw, M2 x 8 mm, pan head phillips, stainless steel, GP-01	0.30
10-1141RK	Screw, M2.5 x 3mm, pan head phillips, stainless steel, GP-01	0.25
13-0112RK	Wrist strap	4.00
13-0114RK	Alligator clip, small, -01 series	2.60
13-0213RK	Belt clip for -01 series	14.00
13-1115RK	Screw, M3 x 7.5 mm, captive panel for battery cover of GP-01	2.00
20-0316RK	Rubber bumper, sensor end for -01 series	3.00
20-0317RK	Rubber bumper, battery end for -01 series	3.00
21-1848RK	Membrane retainer with gasket for -01 series	3.00
21-1849RK	Sensor retainer assembly for -01 series	15.00
33-0166RK	Sensor cover, disc, 10 pack, GasWatch 2 / -01 series.....	18.00
33-7106RK	Filter, charcoal, for CO sensor, strip of 5, GX-2001, GasWatch 2, & CO-03	12.00
33-7114RK	Filter disk, H2S scrubber, strip of 5, for LEL sensor port, GP-01/GX-2001/GX-2009/GX-2012/Gas Tracer/ GX-6000	10.00
49-1110RK	Battery, alkaline, AAA	1.20
49-1603RK	Battery pack, Ni-Cad (GP-01 version only, Ni-Cad version only)	44.00
49-2159RK	Charger for GP-01, for Ni-Cad battery pack, 115 / 220 VAC (Ni-Cad version only)	65.00
49-2164RK	Charger for GP-01, 12 VDC	85.00
49-2165RK	Charger for GP-01, 12 VDC & 115 VAC (Dual Input)	105.00
57-2062RK	Analog PC board assembly for GP-01	105.00
57-2067RK	PC board assembly for sensor, buzzer and sensor socket for HS-01 and CO-01	68.00
71-8000RK	Training CD, EAGLE, GX-2001, GX-2003, GasWatch 2, and -01 series	0.00
73-0044RK-01	CO-01, 0 - 500 ppm with alkaline and alligator clip (Limited availability. Check stock before quoting.) ...	300.00
73-0044RK-03	CO-01, 0 - 500 ppm with alkaline and belt clip (Limited availability. Check stock before quoting.)	300.00
81-0007RK-01	Cylinder, Hexane, 15% LEL/Air, 34L	55.00
81-0012RK-01	Cylinder, Methane, 50% LEL in Air, 34L	55.00
81-0064RK-01	Cylinder, CO, 50 ppm in Air, 34L	55.00
81-0078RK-01	Cylinder, N2 100%, 34L	55.00
81-0151RK-04	Cylinder, H2S 25 ppm in N2, 34AL	125.00
81-1104RK	Calibration adapter for -01 series & GasWatch 2	33.00
81-1135RK-01	Sample adapter assembly with hose barb & 1 foot tube for -01 series	35.00
81-1173RK-10	Sample draw adaptor with hand aspirator, 10' hose and probe, -01 series	100.00
81-1173RK-20	Sample draw adaptor with hand aspirator, 20' hose and probe, -01 series	104.00
81-1173RK-30	Sample draw adaptor with hand aspirator, 30' hose and probe, -01 series	108.00

01 Series Replacement Sensors

<u>Part#</u>	<u>Description</u>	<u>Suggested Retail</u>
ES-1821	Sensor, Carbon Monoxide (CO) for GX-2009/GX-2012/GX-6000/CO-03/GasWatch 2/Gas Tracer	140.00
ES-1827i	Sensor, Hydrogen Sulfide (H2S) for GX-2009/GX-2012/GX-6000/HS-03/GasWatch 2	140.00
NC-6264A	Sensor, LEL, for GX-2009/GX-2012/GX-6000/GP-03/Gas Tracer	120.00
OS-BM2	Sensor, Oxygen (O2) for GX-2009/GX-2012/GX-6000/GasWatch 2/OX-03/Gas Tracer.....	120.00

01 Series Calibration Kits

<u>Instrument #</u>	<u>Cal-Kit Part #</u>	<u>Cal-Kit Description</u>	<u>Price</u>
72-0008RK-XX	81-OX01-LV	Cal kit, OX-01, 34L cyl 100% N2, reg with gauge & knob, cal cup, case & tubing	290.00
72-0033RK-XX 72-0034RK-XX	81-GP01-HLV	Cal kit, GP-01, 34L cyl 15% LEL Hexane/Air, reg with gauge & knob, cal cup, case & tubing	290.00
	81-GP01-LV	Cal kit, GP-01, 34L cyl 50% LEL CH4/Air, reg with gauge & knob, cal cup, case & tubing	290.00
73-0044RK-XX	81-CO01-LV	Cal kit, CO-01, 34L cyl 50 ppm CO/N2, reg with gauge & knob, cal cup, case & tubing	290.00
73-0046RK-XX 73-0048RK-XX	81-HS01-LV	Cal kit, HS-01, 34AL cyl 25 ppm H2S/N2, reg with gauge & knob, cal cup, case & tubing	360.00

Discontinued Portables Replacement Parts

GX-2001 Four Gas Personal Monitor



Part#	Description	Suggested Retail
10-1100RK-02	Replacement screw sets, 2 screw types, 2 sets of 8, GX-2001	6.50
13-0112RK	Wrist strap	4.00
13-0113RK	Neck strap with breakaway, GasWatch 2/GX-2001	8.00
13-0202RK	Belt clip for GX-2001	15.00
20-0112RK-01	Padded carrying case for GX-2001 or GX-2009 and accessories	62.00
20-0112RK-02	Padded carrying case for GX-2001 or GX-2009, aspirator, and cal kit.	160.00
20-0113RK-01	Padded carrying case for GX-2001 only	30.00
20-0311RK	Vinyl case for GX-2001	5.00
20-0315RK	Rubber boot for GX-2001	10.00
20-0320RK	Carrying case, camera style for GX-2009, GX-2012, Gas Tracer, GX-2001, or GX-2003 (with logo)	25.00
21-1822RK	Sensor case (inner section) for GX-2001, with PCB assembly	38.00
21-1823RK	Sensor filter retainer, GX-2001	24.00
21-1824RK	Sensor retainer (outer section), GX-2001	38.00
21-1825RK-10	Replacement case assembly with window & CSA label, GX-2001, Red (new style)	60.00
33-0158RK	Sensor cover, waterproof sheet for 4 sensors, GX-2001	4.00
33-7106RK	Filter, charcoal, for CO sensor, strip of 5, GX-2001, GasWatch 2, & CO-03	12.00
33-7107RK	Filter set, 5 pack (1 charcoal & 4 H2S filters per pack), GX-2001	28.00
33-7114RK	Filter disk, H2S scrubber, strip of 5, for LEL sensor port, GP-01/GX-2001/GX-2009/GX-2012/Gas Tracer/ GX-6000	10.00
49-1605RK	NI-MH battery pack for GX-2001 (Battery charger sold separately)	150.00
49-2156RK-01	Data logging / Charger station (IR) with cable and software for data logging, GX-2001	340.00
51-1113RK	LCD display assembly for GX-2001	55.00
57-2050RK	CPU PCB assembly for GX-2001	240.00
57-2051RK	Analog PCB assembly for GX-2001	210.00
65-7001RK	Dummy sensor for GX-2009, GX-2012, or GX-6000 empty sensor slots (LEL, O2, H2S, & CO)	5.00
71-8000RK	Training CD, EAGLE, GX-2001, GX-2003, GasWatch 2, and -01 series	0.00
75-0014RK-01	Alligator clip & bracket for GX-2001, field installation	32.00
81-0090RK-01	Cylinder, CO 50 ppm / Methane 50% LEL / O2 12 % in N2, 34L	55.00
81-0090RK-03	Cylinder, CO 50 ppm / Methane 50% LEL / O2 12 % in N2, 103L	195.00
81-0154RK-02	Cylinder, H2S 25 ppm / CO 50 ppm / CH4 50% LEL / O2 12% in N2, 58AL	240.00
81-0154RK-04	Cylinder, H2S 25 ppm / CO 50 ppm / CH4 50% LEL / O2 12% in N2, 34AL	165.00
81-0155RK-02	Cylinder, H2S 25 ppm / CO 50 ppm / HEX 15% LEL / O2 12% in N2, 58AL	245.00
81-0155RK-04	Cylinder, H2S 25 ppm / CO 50 ppm / HEX 15% LEL / O2 12% in N2, 34AL	275.00
81-0158RK-02	Cylinder, H2S 25 ppm / CO 50 ppm / isobutane 50% LEL / O2 12% in N2, 58AL	245.00
81-0158RK-04	Cylinder, H2S 25 ppm / CO 50 ppm / isobutane 50% LEL / O2 12% in N2, 34AL	170.00
81-1050RK	Regulator, with gauge & knob, 17/34L, 0.5 LPM	125.00
81-1051RK	Regulator, with gauge & knob, 34AL/58AL/103L, 0.5 LPM	125.00
81-1106RK	Sample adaptor for RP-6 with GX-2001 or GX-2009, rigid plastic	26.00
81-1107RK	Calibration cap for GX-2001 and GX-2009	15.00
81-1160RK	Hand aspirated sampler, with 10' hose and probe, GX-2001 or GX-2009	95.00

Discontinued Portables Replacement Parts

GX-2001 Four Gas Personal Monitor

GX-2001 Replacement Sensors

Part#	Description	Suggested Retail
ES-1821	Sensor, Carbon Monoxide (CO) for GX-2009/GX-2012/GX-6000/CO-03/GasWatch 2/Gas Tracer	140.00
ES-18271	Sensor, Hydrogen Sulfide (H2S) for GX-2009/GX-2012/GX-6000/HS-03/GasWatch 2	140.00
NC-6264A	Sensor, LEL, for GX-2009/GX-2012/GX-6000/GP-03/Gas Tracer	120.00
OS-BM2	Sensor, Oxygen (O2) for GX-2009/GX-2012/GX-6000/GasWatch 2/OX-03/Gas Tracer.....	120.00

Calibration Kits

Instrument #	Cal-Kit Part #	Cal-Kit Description	Price
72-0226RK-XX 72-0230RK-XX 72-0231RK-XX	81-GX01CO	Cal kit, GX-2001/GX-2009, 103L cyl Methane/CO/O2, reg with gauge & knob, cal cap, case & tubing	395.00
	81-GX01CO-LV	Cal kit, GX-2001/GX-2009, 34L cyl Methane/CO/O2, reg with gauge & knob, cal cap, case & tubing	270.00
72-0227RK-XX	81-GX01CH4-LV	Cal kit, GX-2001/GX-2009, 34L cyl Methane 50% LEL/air, reg with gauge & knob, cal cap, case & tubing	270.00
72-0229RK-XX 72-0232RK-XX 72-0233RK-XX	81-GX01HCOIB-LV	Cal kit, GX-2001/GX-2009, 34AL cyl Isobutane/H2S/CO/O2, reg with gauge & knob, cal cap, case & tubing	385.00
	81-GX01HSCO	Cal kit, GX-2001/GX-2009, 58AL cyl Methane/H2S/CO/O2, reg with gauge & knob, cal cap, case & tubing	440.00
	81-GX01HSCO-LV	Cal kit, GX-2001/GX-2009, 34AL cyl Methane/H2S/CO/O2, reg with gauge & knob, cal cap, case & tubing	380.00
	81-GX01HXCO-LV	Cal kit, GX-2001/GX-2009, 34L cyl Hexane/O2/H2S/CO/N2, reg with gauge & knob, cal cap, case & tubing	490.00
72-0230RK-XX	81-GX01IB-LV	Cal kit, GX-2001/GX-2009, 34L cyl Isobutane/air, 34L cyl 100% N2, reg with gauge & knob, cal cap, case & tubing	325.00

RP-6 Accessories & Replacement Parts

Part#	Description	Suggested Retail
07-2005RK	Gasket, filter/screen retaining, RP-2009/RP-6/GX-2003/GX-2012/Gas Tracer	15.00
07-6000RK	O-ring for inlet fitting of RP-2009/RP-6/GX-2003/GX-2012/Gas Tracer	1.00
13-0112RK	Wrist strap	4.00
17-1000RK	Inlet fitting (also needs o-ring 07-6000RK)	4.50
17-1001RK	Tapered rubber inlet nozzle, 4", RP-2009/RP-6/GX-2003/GX-2012/Gas Tracer.....	8.00
20-0312RK	Vinyl case with belt loop for RP-6 pump	5.00
21-1829RK	Battery cap for RP-6 pump	6.00
21-1832RK	Filter holder, clear plastic, RP-6	7.00
30-0015RK	Pump replacement for RP-6 or GX-2003	135.00
30-0311RK	Pump diaphragm only, for RP-6 or GX-2003	26.00
33-0159RK	Teflon filter disc, 10 pieces, RP-2009/RP-6/GX-2003/GX-2012/Gas Tracer/GX-6000	24.00
33-1031RK	Cotton balls, filters for probe, bag of 25	4.00
33-1112RK	Wire mesh disk filter, RP-2009/RP-6/GX-2003/GX-2012/Gas Tracer/GX-6000, 10 pack	15.00
49-1120RK	Size AA alkaline battery	1.20
80-0009RK-10	Hose, 10', polyurethane, GX-2012/Gas Tracer/GX-20003/RP-2009	36.00
80-0009RK-15	Hose, 15', polyurethane, GX-2012/Gas Tracer/GX-20003/RP-2009	38.00
80-0009RK-20	Hose, 20', polyurethane, GX-2012/Gas Tracer/GX-20003/RP-2009	40.00
80-0009RK-25	Hose, 25', polyurethane, GX-2012/Gas Tracer/GX-20003/RP-2009	42.00
80-0009RK-30	Hose, 30', polyurethane, GX-2012/Gas Tracer/GX-20003/RP-2009	46.00
80-0020RK	Coiled tubing with connectors, 3' (for connection to GX-2009 / GX-2001 adaptor)	65.00
80-0150RK	Probe assembly, 10", with cotton ball filter	25.00
80-0404RK	Dilution fitting, 50:50 for GX-2003/-2012/Gas Tracer/RP-2009/RP-6	95.00
81-1106RK	Sample adaptor for RP-6 with GX-2001 or GX-2009, rigid plastic	26.00

Discontinued Portables Replacement Parts

GX-2003 Five in One Sample Draw

Part#	Description	Suggested Retail
06-1248RK	Tubing, polyurethane, 3/16 in x 5/16 in, per foot	2.00
06-1248RK-03	Calibration Tubing, polyurethane, 3/16 in x 5/16 in, 3'	4.50
07-2005RK	Gasket, filter/screen retaining, RP-2009/RP-6/GX-2003/GX-2012/Gas Tracer	15.00
07-6000RK	O-ring for inlet fitting of RP-2009/RP-6/GX-2003/GX-2012/Gas Tracer	1.00
10-1095RK-03	Screw set, all screws for GX-2003	7.40
13-0112RK	Wrist strap	4.00
17-1000RK	Inlet fitting (also needs o-ring 07-6000RK)	4.50
17-1001RK	Tapered rubber inlet nozzle, 4", RP-2009/RP-6/GX-2003/GX-2012/Gas Tracer	8.00
17-4430RK-01	Bypass tee probe w/GX-7 quick disconnect, for GX-2003 / GX-2012/ Gas Tracer purge sampling	20.00
20-0110RK-01	Case for 1-3 cylinders, 17/34L/34AL, with foam.....	75.00
20-0112RK-03	Case with foam, for GX-2003 with accessories & cal kit with one cylinder	110.00
20-0114RK-01	Case with foam, for GX-2003 with accessories & cal kit with 2 cylinders	175.00
20-0318RK	Rubber protective boot with belt clip for GX-2003	28.00
20-0320RK	Carrying case, camera style for GX-2009, GX-2012, Gas Tracer, GX-2001, or GX-2003 (with logo)	25.00
21-1062RK	Battery cover for the GX-2003	18.00
21-1833RK	Filter holder, clear plastic, RP-2009/GX-2003/GX-2012/Gas Tracer/GX-6000	7.50
21-1857RK	Filter holder (for CO and LEL sensors), GX-2003	8.00
21-1858RK	Sensor cap, with flow chamber, GX-2003	45.00
21-1859RK	Top cover assembly, GX-2003	48.00
21-1860RK	Front case assembly with label and buzzer gasket, GX-2003	60.00
21-1861RK	Rear case assembly with battery springs, cover knob, and gasket, GX-2003	60.00
30-0015RK	Pump replacement for RP-6 or GX-2003	135.00
30-0311RK	Pump diaphragm only, for RP-6 or GX-2003	26.00
30-1053RK	Vibration motor, GX-2003/GX-2012/Gas Tracer.....	32.00
33-0159RK	Teflon filter disc, 10 pieces, RP-2009/RP-6/GX-2003/GX-2012/Gas Tracer/GX-6000	24.00
33-1031RK	Cotton balls, filters for probe, bag of 25	4.00
33-1112RK	Wire mesh disk filter, RP-2009/RP-6/GX-2003/GX-2012/Gas Tracer/GX-6000, 10 pack	15.00
33-7108RK	Filter set (5) for LEL sensor, GX-2003	34.00
33-7109RK	Filter set (5) for CO sensor, GX-2003	18.00
33-7110RK	Filter kit for GX-2003	60.00
45-2430RK	Plug adapter for charger, US to Euro, non-grounded	3.60
47-5026RK	Downloading cable, serial / IrDA adapter (Not needed if computer has built-in IR port)	120.00
47-5084RK-01	Downloading cable, USB / IrDA adapter, Windows XP, Windows 7, & Windows 8 compatible (Not needed if computer has built-in IR port)	220.00
49-1120RK	Size AA alkaline battery	1.20
49-1405RK	Lithium battery, 1.55 volt, SR41W, GX-2003/EAGLE 2 (PCB memory backup battery)	7.50
49-1606RK	Battery Pack, Ni-MH, GX-2003	76.00
49-2161RK	Charging station, 12 VDC, GX-2003	90.00
49-2167RK	Charging station, 115 / 220 VAC, GX-2003 (new style)	96.00
57-2064RK	Analog PCB assembly with sensor sockets installed, GX-2003.....	360.00
65-7001RK	Dummy sensor for GX-2009, GX-2012, or GX-6000 empty sensor slots (LEL, O2, H2S, & CO)	5.00
71-0089RK	Operator's Manual, Model GX-2003	6.00
71-0096RK	Operator's Manual, GX-2003 Downloading Software	6.00
71-8000RK	Training CD, EAGLE, GX-2001, GX-2003, GasWatch 2, and -01 series	0.00
80-0009RK-10	Hose, 10', polyurethane, GX-2012/Gas Tracer/GX-20003/RP-2009	36.00
80-0009RK-15	Hose, 15', polyurethane, GX-2012/Gas Tracer/GX-20003/RP-2009	38.00
80-0009RK-20	Hose, 20', polyurethane, GX-2012/Gas Tracer/GX-20003/RP-2009	40.00
80-0009RK-25	Hose, 25', polyurethane, GX-2012/Gas Tracer/GX-20003/RP-2009	42.00
80-0009RK-30	Hose, 30', polyurethane, GX-2012/Gas Tracer/GX-20003/RP-2009	46.00
80-0009RK-40	Hose, 40', polyurethane, GX-2012/Gas Tracer/GX-20003/RP-2009	54.00
80-0144RK	Extendible probe, 7' (collapsible to 2'), fiberglass with filter for GX-2003/GX-2012/Gas Tracer	88.00
80-0150RK	Probe assembly, 10", with cotton ball filter	25.00
80-0155RK	Probe assembly, 30", aluminum, with cotton ball filter, for GX-2003/GX-2012/Gas Tracer	65.00
80-0157RK	Bar hole probe, 30" fiberglass for GX-2003/GX-2012/Gas Tracer	70.00
80-0404RK	Dilution fitting, 50:50 for GX-2003/-2012/Gas Tracer/RP-2009/RP-6	95.00
81-0154RK-02	Cylinder, H2S 25 ppm / CO 50 ppm / CH4 50% LEL / O2 12% in N2, 58AL	240.00



Discontinued Portables Replacement Parts

GX-2003 Five in One Sample Draw

81-1050RK	Regulator, with gauge & knob, 17/34L, 0.5 LPM	125.00
81-1051RK	Regulator, with gauge & knob, 34AL/58AL/103L, 0.5 LPM	125.00
81-1054RK	Regulator, demand flow for 34AL/58AL/103L	280.00
81-1126RK	Gas bag with fitting & hose barb, 9" x 9" tedlar, 2 liters	27.00
81-DC2000	Data Cal 2000 docking station, includes station, power cord, serial cable, and PC software CD	2,500.00
81-DM2003	DM2003 docking module for GX-2003	600.00
82-5010RK-USB	Data log package, with IrDA USB cable & software, GX-2003	125.00
83-0007RK	Software CD only, data logging / downloading, GX-2003 / GX-2012	25.00

GX-2003 Replacement Sensors

<u>Part#</u>	<u>Description</u>	<u>Suggested Retail</u>
ES-1821	Sensor, Carbon Monoxide (CO) for GX-2009/GX-2012/GX-6000/CO-03/GasWatch 2/Gas Tracer	140.00
ES-1827i	Sensor, Hydrogen Sulfide (H2S) for GX-2009/GX-2012/GX-6000/HS-03/GasWatch 2	140.00
NC-6264A	Sensor, LEL, for GX-2009/GX-2012/GX-6000/GP-03/Gas Tracer	120.00
OS-BM2	Sensor, Oxygen (O2) for GX-2009/GX-2012/GX-6000/GasWatch 2/OX-03/Gas Tracer.....	120.00
TE-7561	Sensor, TC, % volume, GX-2003/GX-2012/Gas Tracer	160.00

Calibration Kits

Instrument #	Cal-Kit Part #	Cal-Kit Description	Price
72-0234RK	81-GX03CO	Cal kit, GX-2003/GX-2012, 103L cyl CO/CH4/O2 in N2, dem flow reg, case & tubing	535.00
72-0236RK	81-GX03CO-DLV	Cal kit, GX-2003/GX-2012, 34L cyl CO/CH4/O2, dem flow reg, case & tubing	410.00
72-0240RK	81-GX03CO-LV	Cal kit, GX-2003/GX-2012, 34L cyl CO/CH4/O2 in N2, dispensing valve, gas bag, case & tubing	185.00
72-0250RK	81-GX03CO-LV	Cal kit, GX-2003/GX-2012, 34L cyl CO/CH4/O2 in N2, dispensing valve, gas bag, case & tubing	185.00
72-0260RK	81-GX03HSCO	Cal kit, GX-2003/GX-2012, 58AL cyl H2S (25 ppm)/CO/CH4/O2, dem flow reg, case & tubing	580.00
72-0270RK	81-GX03HSCO-DLV	Cal kit, GX-2003/GX-2012, 34AL cyl H2S (25 ppm)/CO/CH4/O2, dem flow reg, case & tubing	520.00
72-0270RK	81-GX03HSCO-LV	Cal kit, GX-2003/GX-2012, 34AL cyl H2S (25 ppm)/CO/CH4/O2, reg with gauge & knob, gas bag, case & tubing	395.00
72-0272RK	81-GX03VCO-LV	Cal kit, GX-2003/GX-2012, 34L cyl CO/CH4/O2, 58L 100% vol CH4, reg with gauge & knob, gas bag, case & tubing	450.00
72-0274RK	81-GX03VHSCO	Cal kit, GX-2003/GX-2012, 58AL cyl H2S (25 ppm)/CO/CH4/O2, 58L 100% vol. CH4, dem flow reg, case & tubing	720.00
72-0280RK	81-GX03VHSCO-LV	Cal kit, GX-2003/GX-2012, 34AL cyl H2S (25 ppm)/CO/CH4/O2, 58L cyl 100% vol. CH4, reg with gauge & knob, disp valve, gas bag, case & tubing	535.00

Discontinued Portables Replacement Parts

P-200 Series Hand Aspirated Single Gas (GP-204, NP-204, XP-204)

<u>Part#</u>	<u>Description</u>	<u>Suggested Retail</u>
72-0001RK	Model GP-204, 0-100% LEL Methane (CH ₄), includes leather case, 3' hose, 10" probe, aspirator and 2 size D alkaline batteries (Not for use on ships)	795.00
72-0001RK-01	Model GP-204, 0-100% LEL Methane (CH ₄), includes leather case, 3' hose, 10" probe, aspirator and 2 size D Ni-Cad batteries, charger, and charger jack (Not for ships)	875.00



NOTE: Limited quantity for P-200 Series. Confirm availability before quoting or ordering.

Instrument Price Includes

20-0252RK	Vinyl cover for GP-204
30-0401RK	Aspirator bulb for GP-204, with tubing
49-1109RK	Battery, alkaline, 9V, (for XP-204 and XP-204A only)
49-1140RK	Size D alkaline battery
49-1240RK	Battery, Ni-Cad, D size
49-2011RK	Ni-Cad battery charger, 115 VAC (included with Ni-Cad version instruments only), P-200 series
80-0150RK	Probe assembly, 10", with cotton ball filter

Replacement Parts & Accessories

<u>Part#</u>	<u>Description</u>	<u>Suggested Retail</u>
20-0252RK	Vinyl cover for GP-204	26.00
30-0401RK	Aspirator bulb for P-200 Series, with tubing	21.00
33-1031RK	Cotton balls, filters for probe, bag of 25	4.00
49-1140RK	Size D alkaline battery	2.20
49-1240RK	Battery, Ni-Cad, D size	15.00
49-2011RK	Ni-Cad battery charger, 115 VAC (included with Ni-Cad version instruments only), P-200 series	50.00
57-8021RK	PC Board assembly, NP-204	85.00
62-0107RK	Sensor/flame arrestor assembly, for NP-204, RKK Style, MS-6311	280.00
62-0111RK	Sensor/flame arrestor/hardware, GP-204, RKK Style.....	200.00
65-0601RK	Sensor, Oxygen (O ₂) (OS-B3), for EAGLE, EAGLE 2, or RX-415	160.00
80-0007RK-03	Hose, 3', polyurethane, GX-1, GP-204, OX-1	48.00
80-0007RK-10	Hose, 10', polyurethane, GX-1, GP-204, OX-1	52.00
80-0150RK	Probe assembly, 10", with cotton ball filter	25.00
80-0155RK	Probe assembly, 30", aluminum, with cotton ball filter, for GX-2003/GX-2012/Gas Tracer	65.00
80-0200RK	Water trap, bowl type, for GP-204	35.00
80-0221RK	Hydrophobic filter, GP-204.....	80.00
EL-7776	Filament set only, CH ₄ , for GP-204 with RKK Style sensors	95.00
HW-6246	Filament set only, Isobutane, for GP-204 shipboard use only	95.00

Calibration Kits

<u>Instrument #</u>	<u>Cal-Kit Part #</u>	<u>Cal-Kit Description</u>	<u>Price</u>
72-0001RK	81-GP204	Cal kit, GP-204, 34L cyl CH ₄ /Air, reg with gauge & knob, screwdriver, case & tubing	255.00
72-0004RK	81-NP204	Cal kit, NP-204, 34L cyl 50% LEL CH ₄ /Air, 34L cyl 50% vol CH ₄ /N ₂ , reg with gauge & knob, screwdriver, case & tubing	295.00
72-0050RK	81-XP204	Cal kit, XP-204 34L cyl 100% N ₂ , reg with gauge & knob, screwdriver, case & tubing	255.00

FP-30 /FP-40 Formaldehyde Monitor Parts

<u>Part#</u>	<u>Description</u>	<u>Suggested Retail</u>
30-0001RK	Pump with no cable for FP-85, FP-30, and FP-40	200.00
65-TAB-008	Detection tablets for FP-30/-40, box of 20, (1 test each) Formaldehyde (use for -008,-009,-010)	85.00

Discontinued Portables Replacement Parts

RI-415 & RX-415 Series IR Combustible Monitors, 0 - 100% LEL / Volume

<u>Part#</u>	<u>Description</u>	<u>Suggested Retail</u>
30-0017RK	Pump assembly for RI-415	380.00
30-0019RK	Pump assembly for RX-415	230.00
33-0160RK	Dust filter, internal, plastic, GX-4000 / RX-415	2.40
33-3056RK	Filter with flow monitor, RI-415/NP-237H, quick connect/strt on ends ...	195.00
33-3057RK	Filter with flow monitor for RX-415, quick connect fittings on both ends	195.00
33-3059RK	Filter tube with flow monitor, for RX-515/RX-516/RX-517	180.00
47-5060RK	Downloading cable, RC-3, for RX-515 / RX-516 / RX-517	135.00
49-1130RK	Battery, C size, alkaline battery	2.00
73-0580RK	RI-415, Methane, land version (Limited quantity. Confirm availability.)	1,995.00
80-0009RK-99	Hose, 100', polyurethane, RKI style, GX-2012/Gas Tracer/GX-20003/RP-2009	98.00
80-0011RK	Hose, 30 meter, quick disconnect, RI-415 marine version, Riken style (orange)	240.00
80-0012RK	Hose, 3' coiled, polyurethane, RI-411/RI-413A/GP-226/GX-8000/RX-8000	45.00
80-0015RK	Connection tube for RI-415, 1', female GX-7 to 4 x 6 mm tube	16.00
80-0101RK	Hose with floating head, 8 meters (25 feet), with GX-/RX- series	98.00
80-0103RK	Hose, 30 meter, with float type sampling head, for RX-415/RX-516/RX-517	375.00
80-0150RK	Probe assembly, 10", with cotton ball filter	25.00
80-0152RK	Probe assembly for RI-413A/RI-413A/RI-415/GP-88S/SP-237H	30.00
80-0213RK	Water trap, bowl type, for GX-7/GP-226/RI-411/RI-413A	75.00
80-0225RK	Hydrophobic filter, in line, ACRO - 50 with fittings for GX-7/GX-2001/GX-2003/GX-2012/Gas Tracer and RX-415	65.00
81-0018RK-01	Cylinder, isobutane 50% LEL in Air, 34L	55.00
81-0019RK	Cylinder, isobutane 10% in N2, 17L	60.00
81-0078RK-01	Cylinder, N2 100%, 34L	55.00
81-1131RK	Gas bag, Green, LEL range, for RI/RX-415	45.00
81-1132RK	Gas bag, Orange, Volume range, for RI/RX-415	45.00
82-5014RK	Datalogging package for RX-515 / RX-516 / RX-517	150.00



RI-415 & RX-415 Replacement Sensors

<u>Part#</u>	<u>Description</u>	<u>Suggested Retail</u>
61-5006RK	Sensor, IR, Methane (CH4), RI/RX-415, RX-8000, model DE-3113-4	1,260.00
61-5007RK	Sensor, IR, Hydrocarbons (HC), RI/RX-415, RX-8000, model DE-3123-1	1,260.00
65-0601RK	Sensor, Oxygen (O2) (OS-B3), for EAGLE, EAGLE 2, or RX-415	160.00

Calibration Kits

<u>Instrument #</u>	<u>Cal-Kit Part #</u>	<u>Cal-Kit Description</u>	<u>Price</u>
73-0591RK	81-RX415CH4	Cal kit, RX-415/RX-8000, 34L cyl 50% LEL CH4/Air, 34L cyl 50% vol CH4/Air, 34L cyl 100% N2, disp valve, 3 gas bags, case & tubing	385.00
	81-RX415HC	Cal kit, RX-415/RX-8000, 34L cyl 50% LEL isobutane/Air, 17L cyl 10% vol isobutane/Air, 34L cyl 100% N2, disp valve, three gas bags, case & tubing	390.00

Discontinued Portables Replacement Parts

GX - 94 Two, Three or Four Gas Diffusion

<u>Part#</u>	<u>Description</u>	<u>Suggested Retail</u>
13-0190RK	Shoulder strap, GX-82/-94	13.00
20-0602RK	Waterproof padded carrying case for GX-82/-86/-94, instrument and accessories	100.00
30-0600RK-01	Pump, internal, with connector, EAGLE/RP-GX-94	195.00
33-7103RK	Charcoal filter for GX-94 CO sensor, with packing ring	4.00
35-1513RK	Cal/sample adaptor plate, GX-94	28.00
49-1130RK	Battery, C size, alkaline battery	2.00
49-1402RK	Data logging back up battery, 3.0V lithium, CR2032 coin type	6.00
49-3100RK	Ni-Cad battery charger (Bench charger for 8 batteries)	140.00
49-3102RK	Ni-Cad battery charger (Bench charger for up to 4 batteries), 12 VDC	125.00
52-1004RK	Buzzer,PCB mount,5 V,Star QMB111PC (GX-94)	2.60
57-2031RK	Amp PC Board assembly, GX-94	210.00
80-0009RK-10	Hose, 10', polyurethane, GX-82/-94/-2001/-2003/-2009/-2012/Gas Tracer	36.00
80-0150RK	Probe assembly, 10", with cotton ball filter	25.00
81-0090RK-01	Cylinder, CO 50 ppm / Methane 50% LEL / O2 12 % in N2, 34L	55.00
81-0090RK-03	Cylinder, CO 50 ppm / Methane 50% LEL / O2 12 % in N2, 103L	195.00
81-0154RK-02	Cylinder, H2S 25 ppm / CO 50 ppm / CH4 50% LEL / O2 12% in N2, 58AL	240.00
81-0154RK-04	Cylinder, H2S 25 ppm / CO 50 ppm / CH4 50% LEL / O2 12% in N2, 34AL	165.00
81-1119RK	Hand-aspirated pump with hose (10') and probe, GX-94	115.00



GX - 94 Replacement Sensors

<u>Part#</u>	<u>Description</u>	<u>Suggested Retail</u>
61-0217RK	Sensor, LEL (HW - 6259A), GX-94 / Safetmate	160.00
65-1058RK	Sensor, Oxygen (O2), OS-BM1 for RX-8000, GX-8000, RX-515, -516, -517, GX-94	150.00
65-2008RK	Sensor, Carbon Monoxide (CO) (ES-031), GX-94 / GX-8000	175.00
65-2038RK	Sensor, Hydrogen Sulfide (H2S) (ES-037A)	175.00

Discontinued Portables Replacement Parts

GX-82A & GX - 86A Multi-Gas Diffusion Monitor



Part#	Description	Suggested Retail
13-0190RK	Shoulder strap, GX-82/-94	13.00
30-0011RK	Pump assembly only, GX-86 pump adapter, RP-D20H	110.00
33-7101RK	Charcoal Filter for CO sensor (GX-82A/-86A), fixed system CO sensors	6.00
33-7104RK	Retainer sleeve for charcoal filter, GX-82	4.00
33-7112RK	Filter, H2S scrubber, for SO2 sensors, 2 each, SO-82	7.50
49-1130RK	Battery, C size, alkaline battery	2.00
49-1403RK	Battery, lithium, 3V, mem ret, GX-86A / EAGLE	4.50
49-3100RK	Ni-Cad battery charger (Bench charger for 8 batteries)	140.00
57-8030RK	PC Board assembly, main, GX-86, new	100.00
72-7522RK	GX-82A, LEL / O2 / CO (check availability)	500.00
72-7525RK	GX-86A, LEL / O2 / H2S / CO (check availability)	600.00
80-0009RK-10	Hose, 10', polyurethane, GX-2012/Gas Tracer/GX-20003/RP-2009	36.00
80-0009RK-20	Hose, 20', polyurethane, GX-2012/Gas Tracer/GX-20003/RP-2009	40.00
80-0009RK-30	Hose, 30', polyurethane, GX-2012/Gas Tracer/GX-20003/RP-2009	46.00
80-0150RK	Probe assembly, 10", with cotton ball filter	25.00
80-0225RK	Hydrophobic filter, in line, ACRO - 50 with fittings for GX-7/GX-2001/GX-2003/GX-2012/Gas Tracer and RX-415	65.00
80-0404RK	Dilution fitting, 50:50 for GX-2003/-2012/Gas Tracer/RP-2009/RP-6	95.00
81-0090RK-01	Cylinder, CO 50 ppm / Methane 50% LEL / O2 12 % in N2, 34L	55.00
81-0090RK-03	Cylinder, CO 50 ppm / Methane 50% LEL / O2 12 % in N2, 103L	195.00
81-0154RK-02	Cylinder, H2S 25 ppm / CO 50 ppm / CH4 50% LEL / O2 12% in N2, 58AL	240.00
81-0154RK-04	Cylinder, H2S 25 ppm / CO 50 ppm / CH4 50% LEL / O2 12% in N2, 34AL	165.00
81-1109RK	Cal cup for 82 single gas series, GX-82/86/91B (Not for GX-82A or GX-86A)	50.00
81-1152RK	Shell for GX-86/-86A, with fitting, aspirator adaptor (Cal cup for GX-86A)	48.00
81-1154RK	Sample-drawing pump for GX-86 / GX-86A (Discontinued item with limited availability, verify stock before quoting)	200.00
81-1157RK	Hand-operated sample draw with 10' hose & probe for GX-82 and GX-82A	90.00
81-1159RK	Hand-operated sample draw with 10' hose & probe for GX-86 and GX-86A	95.00

Replacement Sensors

Part#	Description	Suggested Retail
60-5010RK	LEL filaments only, for HW-6244A, (for 61-0220RK), GX-82/-86, GX-82A/-86A, GP-82	70.00
60-5014RK	LEL sensor insert only (sockets & pins), (for 61-0220RK), GX-82/-86, GX-82A/-86A	70.00
61-0220RK	Sensor, LEL (complete), HW-6244A, GX-82 type	200.00
65-1051RK	Sensor, Oxygen (O2), OS-B12, GX-82 type	140.00
65-2003RK	Sensor, Carbon Monoxide (CO), ES-81, GX-82 type	175.00
65-2023RK	Sensor, Sulfur Dioxide (SO2), ES-88A, for old style GX-82 type	200.00
65-2033RK	Sensor, Hydrogen Sulfide (H2S), ES-87A, GX-82 type	175.00

Discontinued Portables Replacement Parts

GX-82A & GX - 86A Calibration Kits



Calibration Kits

Instrument #	Cal-Kit Part #	Cal-Kit Description	Price
72-7521RK 72-7521RK-20 72-7521RK-30	81-GX82AHS	Cal kit, GX-82A, 58AL cyl H2S (25 ppm)/CO/CH4/O2, reg with gauge & knob, cal cup, case & tubing	450.00
72-7522RK 72-7522RK-20 72-7522RK-30	81-GX82ACO	Cal kit, GX-82A, 103L cyl CO/CH4/O2, reg with gauge & knob, cal cup, case & tubing	405.00
	81-GX82ACO-LV	Cal kit, GX-82A, 34L cyl CO/CH4/O2, reg with gauge & knob, cal cup, case & tubing	285.00
72-7525RK 72-7525RK-20 72-7525RK-30	81-GX86AHSCO	Cal kit, GX-86A, 58AL cyl H2S (25 ppm)/CO/CH4/O2, reg with gauge & knob, cal cup, case & tubing	470.00
	81-GX86AHSCO-LV	Cal kit, GX-86A, 34AL cyl H2S (25 ppm)/CO/CH4/O2, reg with gauge & knob, cal cup, case & tubing	415.00

GX-4000A Four Gas Detector (GX-111)

Part#	Description	Price
30-0008RK	Pump assembly, for GX-4000A, NP-237H, GX-7, RP-D9H, complete.....	280.00
30-0522RK	Inlet fitting, standard, metal, quick disconnect, female, EAGLE/1641/GX-4000A	38.00
33-0160RK	Dust filter, internal, plastic, GX-4000 / RX-415	2.40
33-3016RK	Hydrophobic filter, replacement, GX-4000A	8.00
33-6090RK	Charcoal filter replacement, GX-4000A / EAGLE 2	8.50
49-1140RK	Size D alkaline battery	2.20
49-1240RK	Battery, Ni-Cad, D size	15.00
49-2123RK	Battery charger for Ni-Cads, 115 VAC, GX-4000A	130.00
52-2025RK	Buzzer, remote, GX-4000A, with 20' cable	95.00

Replacement Sensors

Part#	Description	Price
62-0126RK	Sensor, LEL for GX-4000A (NS-2900-M)	200.00
65-0601RK	Sensor, Oxygen (O2) (OS-B3), for EAGLE, EAGLE 2, or RX-415	160.00
65-2003RK	Sensor, Carbon Monoxide (CO), ES-81, GX-82 type	175.00
65-2033RK	Sensor, Hydrogen Sulfide (H2S), ES-88A, GX-82 type	175.00

Calibration Kits

Instrument #	Cal-Kit Part #	Cal-Kit Description	Price
72-0085RK	81-GX4000RK	Cal kit, GX-4000, 103L cyl CO/CH4/O2, 58AL cyl H2S/N2, dem flow reg, screw-driver, case & tubing	710.00

Discontinued Portables Replacement Parts

GP-226 Dual Range Combustible Detector

Part#	Description	Suggested Retail
2905-04-4320	Battery Pack, GP-226 (new type, universal)	175.00
30-0014RK	Pump assembly for GP-226	190.00
49-2013RK	Charger for GP-226, 100/115/220 VAC	135.00
80-0009RK-10	Hose, 10', polyurethane, GX-2012/Gas Tracer/GX-20003/RP-2009	36.00
80-0012RK	Hose, 3' coiled, polyurethane, RI-411/RI-413A/GP-226/GX-8000/RX-8000	45.00
80-0150RK	Probe assembly, 10", with cotton ball filter	25.00
80-0213RK	Water trap, bowl type, for GX-7/GP-226/RI-411/RI-413A	75.00
GE-4641-S2	LEL Sensor for GP-226, isobutane (HC)	175.00
GE-5740-B5	LEL sensor for GP-226, methane (CH4)	225.00



OX-226 Oxygen Detector

Part#	Description	Suggested Retail
30-0014RK	Pump assembly for GP-226	190.00
65-0607RK	Sensor, Oxygen (O2), (OS-B7) for OX-226/OX-227/GX-7	200.00
80-0009RK-10	Hose, 10', polyurethane, GX-2012/Gas Tracer/GX-20003/RP-2009	36.00
80-0012RK	Hose, 3' coiled, polyurethane, RI-411/RI-413A/GP-226/GX-8000/RX-8000	45.00
80-0150RK	Probe assembly, 10", with cotton ball filter	25.00
80-0213RK	Water trap, bowl type, for GX-7/GP-226/RI-411/RI-413A	75.00
81-OX226	Cal kit, OX-226, 34L cyl 100% N2, reg with gauge & knob, screwdriver, case & tubing	190.00












OX-1C Oxygen Sample Draw Detector

Part#	Description	Suggested Retail
30-0401RK	Aspirator bulb for P-200 Series, with tubing	21.00
33-1031RK	Cotton balls, filters for probe, bag of 25	4.00
49-1600RK	Battery pack for OX-1C	95.00
49-2015RK	Charging cord for OX-1C, 115 VAC connection, new style	16.00
65-0601RK	Sensor, Oxygen (O2) (OS-B3), for EAGLE, EAGLE 2, or RX-415	160.00
80-0007RK-10	Hose, 10', polyurethane, GX-1, GP-204, OX-1	52.00
80-0150RK	Probe assembly, 10", with cotton ball filter	25.00
81-OX1	Cal kit, OX-1, 34L cyl 100% N2, reg with gauge & knob, screwdriver, case & tubing	260.00




Portable Replacement Sensors


Micro Sensors						
						
Gas	LEL CH4 standard	O2	CO	H2S	% Volume Methane	ppm Methane
Peak Range	100% LEL	40% Vol	100 ppm	500 ppm	100% vol	5000 ppm
Part #	NC-6264A	OS-BM2	ES-1821	ES-1827i	TE-7561	SH-8641
GX-2009	▪	▪	▪	▪		
GX-2012	▪	▪	▪	▪	▪	
Gas Tracer	▪	▪	▪		▪	▪
GX-6000	▪	▪	▪	▪		
03 Series	▪	▪	▪	▪	▪	
01 Series	▪	▪	▪	▪		
GasWatch 2		▪	▪	▪		
GX-2001	▪	▪	▪	▪		
GX-2003	▪	▪	▪	▪	▪	


GX-6000 Smart Sensors								
Smart Electrochemical			Infrared			Photo ionization Detection (PID)		
								
Gas	Peak Range	Part #	Gas	Peak Range	Part #	Gas	Peak Range	Part #
Ammonia (NH3)	400 ppm	ESS-B332-NH3	Carbon Dioxide (CO2)	10,000 ppm	DES-3311-4-01	Volatile Organic Compound (VOC)	50 ppm	PID-001
Chlorine (Cl2)	10 ppm	ESS-B335-Cl2		5% Vol.	DES-3311-1-01		6,000 ppm	PID-002
Hydrogen Cyanide (HCN)	15 ppm	ESS-03DH-HCN	Methane (CH4)	100% LEL 100% Vol.	DES-3311-3			
Nitrogen Dioxide NO2	9 ppm	ESS-03DH-NO2	Hydrocarbons	100% LEL 30% Vol.	DES-3311-2			
Sulfur Dioxide (SO2)	6 ppm	ESS-03DH-SO2						

Eagle 2 Sensors


Standard 4 Gas


Catalytic		
		
Gas	Range	Accuracy
Hydrocarbons (CH4, standard)	0 - 100% LEL	± 5% of reading or ± 2% of full scale (*)
	0 - 5% Vol. (CH4)	
	0 - 50,000 ppm (CH4)	± 50 ppm or ± 10% of reading (*)
Combustible level detection displayed in % LEL, PPM, or % volume. Methane is the standard configuration. Other combustible gases available.		


Galvanic		
		
Gas	Range	Accuracy
Oxygen (O2)	0 - 40% Vol. 0 - 100% Vol.	± 0.5% O2
A specific electrochemical sensor for oxygen monitoring.		

Standard Electrochemical		
		
Gas	Range	Accuracy
Carbon Monoxide (CO)	0 - 500 ppm	± 5% of reading ± 2 ppm (*)
Hydrogen Sulfide (H2S)	0 - 100 ppm	
Extra long-life CO and H2S sensors.		


Specialty Sensors

Photo ionization Detection (PID)	
	
Gas	Range
Volatile Organic Compound (VOC)	0 - 50 ppm 0 - 2,000 ppm
Monitor low ppm VOC gases.	

Infrared		
		
Gas	Range	Accuracy
Carbon Dioxide (CO2)	0 - 10,000 ppm 0 - 5% Vol. 0 - 60% Vol.	± 5% of reading or ± 2% of full scale (*)
Methane (CH4)	0 - 100% LEL 0 - 100% Vol.	
Hydrocarbons	0 - 100% LEL 0 - 30% Vol.	
Monitor combustible gases in inert environments. Monitor wide range of CO2.		

Thermal Conductivity		
		
Gas	Range	Accuracy
Methane (CH4)	0 - 100% Vol.	± 5% of reading or ± 2% of full scale (*)
Hydrogen (H2)	0 - 10% Vol. 0 - 100% Vol.	
Monitor % volume methane or hydrogen.		

Smart Toxic Sensors

Smart Electrochemical		
		
Gas	Range	Accuracy
Ammonia (NH3)	0 - 75 ppm	± 10% of reading or ± 5% of full scale (*)
Arsine (AsH3)	0 - 1.5 ppm	
Chlorine (Cl2)	0 - 3 ppm	
Hydrogen Cyanide (HCN)	0 - 15 ppm	
Phosphine (PH3)	0 - 1 ppm	
Sulfur Dioxide (SO2)	0 - 6 ppm	
Monitor a wide variety of toxic gases. Smart plug and play sensors are auto recognized and can be remotely calibrated.		

* Which ever is greater

Portable Replacement Sensors

Description	Range	Part #	Price	
GX-2009 GX-2012 Gas Tracer GX-6000 O3 Series O1 Series GasWatch 2 GX-2001 GX-2003				
LEL Hydrocarbon (GX-2001, GX-2003, & GX-2009, GX-2012, & GT.)	LEL	0 - 100 % LEL	NC-6264A	120.00
Oxygen	O2	0 - 40 % vol.	OS-BM2	120.00
Carbon Monoxide	CO	0 - 500 ppm	ES-1821	140.00
Hydrogen Sulfide	H2S	0 - 100 ppm	ES-1827i	140.00
TC % volume (GX-2003, GX-2012, or Gas Tracer)	VOL	0-100% vol	TE-7561	160.00
PPM Methane (Gas Tracer only)	PPM	0 - 5,000 ppm	SH-8641	160.00
GX-6000				
VOC's low range	VOC	0-50 ppm	PID-001	1,600.00
VOC's high range	VOC	0-6,000 ppm	PID-002	1,200.00
Methane IR auto range	CH4	0-100% LEL/vol	DES-3311-3	400.00
Hydrocarbons IR auto range	HC	0-100%LEL/30% vol	DES-3311-2	400.00
Carbon Dioxide IR	CO2	0-10,000 ppm	DES-3311-4	400.00
Carbon Dioxide IR	CO2	0-5% vol	DES-3311-1	400.00
Ammonia	NH3	0-400 ppm	ESS-B332-NH3	260.00
Chlorine	Cl2	0-10 ppm	ESS-B335-CL2	260.00
Hydrogen Cyanide	HCN	0-15 ppm	ESS-03DH-HCN	260.00
Nitrogen Dioxide	NO2	0-9 ppm	ESS-03DH-NO2	260.00
Sulfur Dioxide	SO2	0-6 ppm	ESS-03DH-SO2	260.00
EAGLE 2 Series				
LEL / ppm, plug-in	LEL/ PPM	0 - 100 % LEL	NC-6260B	200.00
Oxygen (OS-B3)	O2	0 - 40 % vol	65-0601RK	160.00
Carbon Monoxide	CO	0 - 500 ppm	65-2005RK	195.00
Hydrogen Sulfide	H2S	0 - 100 ppm	ES-87RW-H2S	195.00
LEL Hydrogen only	H2	0 - 100 % LEL	61-0155RK	250.00
VOC's low range	VOC	0 - 50 ppm	61-0300RK-01	1,100.00
VOC's high range	VOC	0 - 2,000 ppm	61-0300RK-02	940.00
PID replacement lamp low range	VOC	0 - 50 ppm	51-1500RK	275.00
PID replacement lamp high range	VOC	0 - 2,000 ppm	51-1501RK	250.00
Arsine	AsH3	0 - 1.50 ppm	ESM-01DH-ASH3	195.00
Ammonia	NH3	0 - 75 ppm	ESM-01R-NH3	195.00
Chlorine	Cl2	0 - 3 ppm	ESM-K01-CL2	195.00
Carbon Dioxide IR	CO2	0 - 10,000 ppm	DEM-3313-4	750.00
Carbon Dioxide IR	CO2	0 - 5 % vol	DEM-3313-1	750.00
Carbon Dioxide IR	CO2	0 - 60 % vol	DEM-3313-5	750.00
Hydrogen Cyanide	HCN	0 - 15 ppm	ESM-01DH-HCN	195.00
Hydrocarbon autoranging IR	HC	0 - 100 %/30 % vol	DEM-3313-2	750.00
Methane autoranging IR	CH4	0 - 100 %/100 % vol	DEM-3313-3	750.00
Methane IR (volume only)	CH4	0 - 100 % vol	DEM-3313-3A	750.00
Phosphine	PH3	0 - 1.0 ppm	ESM-01DH-PH3	195.00
Sulfur Dioxide	SO2	0 - 6 ppm	ESM-01DH-F-SO2	195.00

Portable Replacement Sensors

Description	Range	Part #	Price	
GX-94 Series CO-94 / HS-94 / OX-94 GasWatch 1				
LEL	LEL	0 - 100% LEL	61-0217RK	160.00
Oxygen	O2	0 - 40% vol	65-1058RK	150.00
Carbon Monoxide	CO	0 - 500 ppm	65-2008RK	175.00
Hydrogen Sulfide	H2S	0 - 100 ppm	65-2038RK	175.00
GX-82 / GX-86 Series GX-82A / GX-86A Series				
LEL	LEL	0 - 100% LEL	61-0220RK	200.00
LEL filaments only			60-5014RK	70.00
Oxygen	O2	0 - 40%	65-1051RK	140.00
Carbon Monoxide	CO	0 - 500 ppm	65-2003RK	175.00
Hydrogen Sulfide	H2S	0 - 100 ppm	65-2033RK	175.00
Sulfur Dioxide (GX-82 / GX-86 only)	SO2	0 - 50 ppm	65-2023RK	200.00
EAGLE Series				
LEL / ppm Hydrocarbon	LEL	0 - 100 % LEL	62-0125RK	200.00
Oxygen (sample draw EAGLE only)	O2	0 - 40 % vol.	65-0601RK	160.00
Oxygen (diffusion EAGLE only)	O2	0 - 40 % vol.	65-0613RK	160.00
Carbon Monoxide	CO	0 - 500 ppm	65-2005RK	195.00
Hydrogen Sulfide	H2S	0 - 100 ppm	65-2035RK	195.00
Ammonia (old style)	NH3	0 - 75 ppm	ES-23PX-NH3	465.00
Ammonia (new style, higher range optional)	NH3	0 - 75 ppm	ES-23R-NH3	465.00
Arsine (0 - 0.200 ppm or 0 - 1.00 ppm)	AsH3	0 - 0.200 ppm	ES-23AHS-ASH3	465.00
Bromine	Br2	0 - 1.00 ppm	ES-K233-BR2	465.00
Carbon Monoxide	CO	0 - 150 ppm	ES-23-CO	465.00
Chlorine	Cl2	0 - 3.00 ppm	ES-K233-CL2	465.00
Chlorine Dioxide	ClO2	0 - 1.00 ppm	ES-23AH-D-CL2	465.00
Diborane	B2H6	0 - 30 ppm	ES-23AH-B2H6	465.00
Diborane	B2H6	0 - 0.30 ppm	ES-23AY-B2H6	465.00
Fluorine	F2	0 - 5.00 ppm	ES-K233-F2	465.00
Hydrogen Bromide	HBr	0 - 9.00 ppm	ES-23E-HBR	465.00
Hydrogen Chloride (Acid gas "Family" sensor)	HCl	0 - 15 ppm	ES-K233-HCL	465.00
Hydrogen Chloride (No Cl2 response)	HCl	0 - 15 ppm	ES-23E-HCL	465.00
Hydrogen Cyanide	HCN	0 - 30 ppm	ES-23DH-HCN	465.00
Hydrogen Fluoride	HF	0 - 9.00 ppm	ES-K233-HF	465.00
Hydrogen Iodide	HI	0 - 5 ppm	ES-23E-HI	465.00
Hydrogen Peroxide	H2O2	0 - 3 ppm	ES23DH-H2O2	465.00
Hydrogen Sulfide	H2S	0 - 1.00 ppm	ES-23AH-H2S	465.00
Hydrogen Sulfide	H2S	0 - 30 ppm	ES-237-H2S	465.00
Iodine	I2	0 - 1 ppm	ES-K233-I2	465.00
Nitric Acid	HNO3	0 - 20 ppm	ES-K233-HNO3	465.00
Nitrogen Dioxide	NO2	0 - 15 ppm	ES-23AH-NO2	465.00
Nitric Oxide	NO	0 - 100 ppm	ES-23A-NO	465.00
Ozone	O3	0 - 1.00 ppm	ES-K233-O3	465.00
Ozone	O3	0 - 5.00 ppm	ES-23AH-O3	465.00
Phosphine	PH3	0 - 1.00 ppm	ES-23AH-PH3	465.00

Portable Replacement Sensors

Description		Range	Part #	Price
EAGLE Series (continued)				
Sulfur Dioxide	SO2	0 - 30 ppm	ES-23E-SO2	465.00
Sulfur Dioxide (New style)	SO2	0 - 10 / 6 ppm	ES-238-SO2	465.00
Silane (old style, no H2 response)	SiH4	0 - 15 ppm	ES-23AH-SiH4	465.00
Diffusion EAGLE				
LEL	LEL	0 - 100% LEL	62-0125RK	200.00
Oxygen	O2	0 - 40 % vol.	65-0613RK	160.00
Carbon Monoxide	CO	0 - 500 ppm	65-2005RK	195.00
Hydrogen Sulfide	H2S	0 - 100 ppm	65-2035RK	195.00
NP-85				
LEL Hydrocarbon	LEL	0 - 100 % LEL	HW-6255	200.00
% Volume Hydrocarbon		0 - 100 % vol.	TE-7557	275.00
P-200 Series: GP-204 / NP-204 / XP-204				
LEL Sensor / flame arrestor assembly for GP-204, RKK style, CH4	LEL	0 - 100 % LEL	62-0111RK	200.00
LEL filaments only, Methane (GP-204, USA version)	LEL	0 - 100 % LEL	EL-7776LB	95.00
LEL filaments only, isobutane (standard for Marine use version only)	LEL	0 - 100 % LEL	HW-6246	95.00
LEL Sensor / flame arrestor assembly for NP-204, USA version	LEL	0 - 100 % LEL	62-0107RK	280.00
Oxygen Sensor for XP-204 (OS-B3)	O2	0 - 40 % vol.	65-0601RK	160.00
82 Series: GP-82 / OX-82 / CO-82 / HS-82 / SO-82				
LEL for GP-82	LEL	0 - 100 % LEL	61-0220RK	200.00
LEL filaments only for GP-82			60-5010RK	70.00
Oxygen for OX-82	O2	0 - 25 % vol.	65-1051RK	140.00
Carbon Monoxide for CO-82	CO	0 - 300 ppm	65-2003RK	175.00
Hydrogen Sulfide for HS-82	H2S	0 - 100 ppm	65-2033RK	175.00
Sulfur Dioxide for SO-82	SO2	0 - 100 ppm	65-2023RK	200.00
91 Series: CO - 91 / HS-91 / OX-91 / SO-91				
Carbon Monoxide for CO-91	CO	0 - 150 ppm	65-2003RK	175.00
Hydrogen Sulfide for HS-91	H2S	0 - 30 ppm	65-2033RK	175.00
Oxygen for OX-91	O2	0 - 40 % vol.	65-1051RK	140.00
Sulfur Dioxide for SO-91	SO2	0 - 50 ppm	65-2023RK	200.00
GX-91B				
LEL	LEL	0 - 100 % LEL	61-0220RK	200.00
LEL filaments only			60-5010RK	70.00
Oxygen	O2	0 - 40 % vol.	65-1051RK	140.00
Carbon Monoxide	CO	0 - 300 ppm	65-2003RK	175.00
Hydrogen Sulfide	H2S	0 - 100 ppm	65-2033RK	175.00
Sulfur Dioxide	SO2	0 - 50 ppm	65-2023RK	200.00
GP-88S				
LEL, Toluene	PPM	0 - 500/5,000 ppm	HW-6258	175.00

Portable Replacement Sensors

Description		Range	Part #	Price
GP-85N GP-88 GX-85N				
LEL	LEL	0 - 100 % LEL	HW-6257	175.00
Oxygen	O2	0 - 25 %	65-1051RK	140.00
GP-226				
LEL	LEL	0 - 100 % LEL	GE-4641-S2	175.00
GP-1000				
LEL	LEL	0 - 100 % LEL	NC-6215	360.00
GX-4000A GX-111				
LEL (NS-2900-M)	LEL	0 - 100 % LEL	62-0126RK	200.00
Oxygen (OS-B3)	O2	0 - 25 % vol.	65-0601RK	160.00
Carbon Monoxide (ES-81)	CO	0 - 300 ppm	65-2003RK	175.00
Hydrogen Sulfide (ES-87A)	H2S	0 - 100 ppm	65-2033RK	175.00
GX-7				
LEL (GE-5740-C2/B)	LEL	0 - 100 % LEL	62-0121RK	220.00
Oxygen (OS-B7)	O2	0 - 25 % vol.	65-0607RK	200.00
Carbon Monoxide - Detector Tubes for GX-7	CO	0 - 300 ppm	62-1005RK	40.00
Hydrogen Sulfide - Detector Tubes for GX-7	H2S	0 - 100 ppm	62-1006RK	40.00
Carbon Dioxide - Detector Tubes for GX-7	CO2	0 - 5 % vol.	62-1007RK	40.00
GX-8000				
LEL	LEL	0 - 100 % LEL	NC-6215	360.00
% Volulme Combustibles	HC	0 - 100% vol.	TE--7515	360.00
Oxygen	O2	0 - 40% vol.	65-1058RK	150.00
Carbon Monoxide	CO	0 - 500 ppm	65-2008RK	175.00
Hydrogen Sulfide	H2S	0 - 100 ppm	ES-0371-H2S	280.00
NC-1000				
Combustibles	HC	0 - 1,000/10,000 ppm	NC-6307	360.00
NP-237H				
LEL, Methane, Propane or Isobutane	LEL	0 - 100 % LEL	62-0135RK	275.00
% Volume, Methane, Propane or Isobutane	%VOL	0 - 20 % vol.	62-0136RK	275.00
OX-1				
Oxygen (OS-B3)	O2	0 - 25 % vol.	65-0601RK	160.00
OX-07				
Oxygen	O2	0 - 25 % vol.	OS-B01	195.00
OX-226				
Oxygen (OS-B7)	O2	0 - 25 % vol.	65-0607RK	200.00
OX-62B				
Oxygen (OS-8076)	O2	0 - 25 % vol.	65-0606RK	280.00
RI-415 RX-415				
Methane (IR)	CH4	0 - 100% LEL / vol.	61-5006RK	1,260.00
Hydrocarbons (IR)	HC	0 - 100% LEL / vol.	61-5007RK	1,260.00
Oxygen	O2	0 - 40% vol.	65-0601RK	150.00

Portable Replacement Sensors

Description		Range	Part #	Price
RX-515 RX-516 RX-517				
Methane (IR)	CH4	0 - 100% LEL / vol.	61-5006RK	1,260.00
Hydrocarbons (IR)	HC	0 - 100% LEL / vol.	61-5007RK	1,260.00
Oxygen	O2	0 - 40% vol.	65-1058RK	150.00
Carbon Monoxide	CO	0 - 1,000 ppm	ES-031M-CO	225.00
Hydrogen Sulfide	H2S	0 - 100 ppm	ES-037R-H2S	165.00
Hydrogen Sulfide	H2S	0 - 1,000 ppm	ES-037RM-H2S	225.00
RX-8000				
Oxygen	O2	0 - 40% vol.	65-1058RK	150.00
Methane (IR)	CH4	0 - 100% LEL / vol.	DE-3113-13	1,350.00
Hydrocarbons	HC	0 - 100% LEL / vol.	DE-3123-4	1,350.00
SC-01				
Ammonia	NH3	0 - 75 ppm	ESM-01R-D-NH3	195.00
Arsine	AsH3	0 - 1.50 ppm	ESM-01DH-ASH3	195.00
Carbon Monoxide	CO	0 - 75 ppm	ESM-011-CO	195.00
Chlorine	Cl2	0 - 3 ppm	ESM-K01-D-CL2	195.00
Hydrogen Cyanide	HCN	0 - 15 ppm	ESM-01DH-HCN	195.00
Hydrogen Sulfide	H2S	0 - 30 ppm	ESM-017-H2S	195.00
Phosphine	PH3	0 - 1.0 ppm	ESM-01DH-PH3	195.00
Sulfur Dioxide	SO2	0 - 6 ppm	ESM-01DH-D-SO2	195.00
SC-90				
Arsine	AsH3	0 - 1.00 ppm	ES-23AH-ASH3	465.00
Bromine	Br2	0 - 1.00 ppm	ES-K233-BR2	465.00
Carbon Monoxide	CO	0 - 300 ppm	ES-23-CO	465.00
Chlorine	Cl2	0 - 3.00 ppm	ES-K233-CL2	465.00
Diborane	B2H6	0 - 30 ppm	ES-23AH-B2H6	465.00
Fluorine	F2	0 - 5.00 ppm	ES-K233-F2	465.00
Hydrogen Chloride	HCl	0 - 15 ppm	ES-K233-HCL	465.00
Hydrogen Fluoride	HF	0 - 9.00 ppm	ES-K233-HF	465.00
Hydrogen Sulfide, 0 - 30 ppm	H2S	0 - 30 ppm	ES-937-H2S	465.00
Hydrogen Sulfide, 0 - 1.0 ppm	H2S	0 - 1.0 ppm	ES-23AH-H2S	465.00
Nitrogen Dioxide	NO2	0 - 15 ppm	ES-23AH-NO2	465.00
Nitric Oxide	NO	0 - 100 ppm	ES-23A-NO	465.00
Ozone, 0 - 1.0 ppm	O3	0 - 1.00 ppm	ES-K233-O3	465.00
Ozone, 0 - 5.0 ppm	O3	0 - 5.00 ppm	ES-23AH-O3	465.00
Phosphine	PH3	0 - 1.00 ppm	ES-23AH-PH3	465.00
Sulfur Dioxide	SO2	0 - 30 ppm	ES-23E-SO2	465.00
Silane	SiH4	0 - 15 ppm	ES-23AH-SiH4	465.00

Portable Replacement Sensors

Description		Range	Part #	Price
SC-8000				
Ammonia	NH3	0 - 75 ppm	ESM-23R-NH3	480.00
Ammonia (high humidity use)	NH3	0 - 75 ppm	ESM-23RH-NH3	480.00
Arsine	AsH3	0 - 0.2 ppm	ESM-23AHS-ASH3	480.00
Carbon Monoxide	CO	0 - 150 ppm	ESM-23-CO	480.00
Chlorine	Cl2	0 - 3 ppm	ESM-K233-CL2	480.00
Chlorine Trifluoride	ClF3	0 - 0.6 ppm	ESM-K233CS-CLFC	480.00
Diborane	B2H6	0 - 0.3 ppm	ESM-23AY-B2H6	480.00
Disilane	SiH6	0 - 15 ppm	ESM-23DH-SI2H6	480.00
Fluorine	F2	0 - 3 ppm	ESM-K233-F2	480.00
Germane	GeH4	0 - 0.8 ppm	ESM-23DH-GEH4	480.00
Hydrogen Bromide	HBr	0 - 9 ppm	ESM-23E-HBR	480.00
Hydrogen Chloride (with H2 response)	HCl	0 - 15 ppm	ESM-23E-HCL	480.00
Hydrogen Chloride	HCl	0 - 15 ppm	ESM-K233-HCL	480.00
Hydrogen Cyanide	HCN	0 - 30 ppm	ESM-23DH-HCN	480.00
Hydrogen Fluoride	HF	0 - 9 ppm	ESM-K233-HF	480.00
Methyl Silane	CH3SiH3	0 - 20 ppm	ESM-23DH-MS	480.00
Nitrogen Dioxide	NO2	0 - 15 ppm	ESM-23AH-NO2	480.00
Ozone	O3	0 - 1.0 ppm	ESM-K239C-O3	480.00
Phosphine	PH3	0 - 1 ppm	ESM-23AH-PH3	480.00
Silane (with H2 response)	SiH4	0 - 15 ppm	ESM-23DH-SIH4	480.00
Silane	SiH4	0 - 15 ppm	ESM-23AH-SIH4	480.00
Sulfur Dioxide (high)	SO2	0 - 30 ppm	ESM-23E-SO2	480.00
Sulfur Dioxide (low)	SO2	0 - 6 ppm	ESM-238-SO2	480.00
SP-205ASC				
Methane	CH4	0 - 100 % LEL	62-0160A	195.00
Halocarbons	CFC		62-0160ALF	195.00
Phosphine (also detects AsH3, Br2, SiH4, & H2)	PH3		62-0160ASC	195.00
SP-220				
Methane & LPG versions	CH4	-	SH-8661	350.00
Fumigant and SC versions	-	-	SH-8662	425.00
SP-237H				
LEL Combustibles	LEL	0-100% LEL	GE-8241-C4C	275.00
PPM Combustible	PPM	0-50,000 ppm	SH-8141	275.00
SafeTmate / STM 2100				
LEL	LEL	0 - 100 % LEL	61-0217RK	160.00
1214S / 1314 / 3220 / 4320				
Oxygen	O2		65-0601RK	160.00
Carbon Monoxide	CO		65-2004RK	195.00
Hydrogen Sulfide	H2S		65-2034RK	185.00
GT / Innova				
Oxygen	O2		65-0612RK	160.00

Calibration Equipment

Cal Kit Cases



20-0110RK-01
Two Cylinder Case
Sizes: 34AL, 34L



20-0121RK
Two Cylinders Case
Sizes: 103L, 58AL, 34AL, 34L



20-0111RK-01
Three Cylinder Case
Sizes: 103L, 58AL, 34AL, 34L



20-0114RK-02
Four Cylinder Case
Sizes: 103L, 58AL, 34AL, 34L



Calibration Equipment

Regulators For 17 / 34 L Steel Cylinders

Regulators are necessary equipment used to accurately deliver calibration gas from a cylinder to an instrument. Each regulator is designed to fit on a specific set of cylinders. Most of the RKI regulators are designed for non refillable cylinders. There are two common fittings these regulators use to connect to the non refillable cylinders. One common fitting is a CGA 600 connection and fits on the 17 (no part number suffix) & 34 (-01 part number suffix) liter steel cylinders. Make sure the regulator you purchase fits the cylinder you have.

These Regulators			
			
81-1001RK Dispensing Valve No flow control	81-1003RK Regulator Model 702 no gauge or knob, 0.5 LPM flow	Most commonly ordered 81-1050RK Regulator Model 713 w/ gauge & knob, 0.5 LPM flow	81-1055RK Demand Flow Regulator Model 2007 for 17/34 liter steel cylinder
CGA 600 inlet, 3/16" hose barb outlet			






Fit These Cylinders	
	
17 Liter Steel Cylinder No p/n suffix	34 Liter Steel Cylinder -01
CGA 600 valve	

Calibration Equipment

Regulators For 34AL / 58AL Aluminum & 103L Steel

The second common fitting is the 5/8 x 18 UNF fitting which connects to the 34 & 58 liter aluminum cylinders (-04 & -02 part number suffix) and the 58 & 103 liter steel cylinders (-05 & -03 part number suffix). Make sure the regulator you purchase fits the cylinder you have.

These Regulators		
 Most commonly ordered		
81-1054RK Demand Flow Regulator Model 2004	81-1051RK Regulator Model 715 with gauge & knob, 0.5 LPM flow rate	81-1004RK Regulator Model 705 with gauge & no knob 0.5 LPM flow rate
5/8" x 18 thread inlet, 3/16" hose barb outlet		



Fit These Cylinders				
				
58 Liter Steel -05	34 Liter Aluminum -04	103 Liter Steel -03	58 Liter Aluminum -02	116 Liter Aluminum -116
5/8" x 18 thread valve				

Calibration Equipment

Knobs and Gauges

Regulators can be equipped with an on / off knob or a pressure gauge to show how much gas is in the cylinder. Most of the Low Volume (-LV) type cal kits are equipped with regulators that include an on / off knob and a pressure gauge, in order to offer the easiest to use calibration kit.



Cylinders

Cylinder part numbers have a 2 digit suffix which indicate the cylinder size for that particular gas mixture. The 2 digit suffix numbers indicate the following cylinders:

Part # Suffix	Cylinder Size
no suffix	= 17 liter steel cylinder (17L)
-01	= 34 liter steel cylinder (34L)
-02	= 58 liter aluminum cylinder (58AL)
-03	= 103 liter steel cylinder (103L)
-04	= 34 liter aluminum cylinder (34AL)
-05	= 58 liter steel cylinder (58L)
-116	= 116 liter aluminum cylinder (116AL)

Cylinder SDS Documents

Available Online

www.rkiinstruments.com/sds

Calibration Cylinders

Part#	Description	Suggested Retail
81-0154RK-06	Bump test cylinder, H2S 40 ppm / CO 100 ppm / Methane 50% LEL / O2 12% in N2, 11AL aerosol	55.00
81-0154RK-06-10	Bump test cylinder, H2S 40 ppm / CO 100 ppm / Methane 50% LEL / O2 12% in N2, 11AL aerosol, with balloon and cal cup for GX-2009	70.00
81-0154RK-06-11	Bump test cylinder, H2S 40 ppm / CO 100 ppm / Methane 50% LEL / O2 12% in N2, 11AL aerosol, with red plastic straw and gas bag for GX-2012	75.00
81-0175RK-04	Cylinder, Ammonia, 10 ppm in N2, 34AL	225.00
81-0175RK-02	Cylinder, Ammonia, 10 ppm in N2, 58AL	350.00
81-0176RK-04	Cylinder, Ammonia, 25 ppm in N2, 34AL	225.00
81-0176RK-02	Cylinder, Ammonia, 25 ppm in N2, 58AL	350.00
81-0062RK-01	Cylinder, Carbon Monoxide 50 ppm in N2, 34L	55.00
81-0063RK-01	Cylinder, Carbon Monoxide, 20 ppm in Air, 34L	55.00
81-0062RK-03	Cylinder, Carbon Monoxide, 50 ppm in N2, 103L	155.00
81-0191RK-04	Cylinder, Cl2, 10 ppm in N2, 34AL	235.00
81-0191RK-02	Cylinder, Cl2, 10 ppm in N2, 58AL	350.00
81-0192RK-04	Cylinder, Cl2, 2 ppm in N2, 34AL	235.00
81-0192RK-02	Cylinder, Cl2, 2 ppm in N2, 58AL	350.00
81-0190RK-04	Cylinder, Cl2, 5 ppm in N2, 34AL	235.00
81-0190RK-02	Cylinder, Cl2, 5 ppm in N2, 58AL	350.00
81-0089RK-03	Cylinder, CO 50 ppm / Hexane 15% LEL / O2 12 % in N2, 103L	195.00
81-0089RK-01	Cylinder, CO 50 ppm / Hexane 15% LEL / O2 12 % in N2, 34L	55.00
81-0090RK-03	Cylinder, CO 50 ppm / Methane 50% LEL / O2 12 % in N2, 103L	195.00
81-0090RK-01	Cylinder, CO 50 ppm / Methane 50% LEL / O2 12 % in N2, 34L	55.00
81-0065RK-03	Cylinder, CO, 100 ppm in Air, 103L	155.00
81-0065RK-01	Cylinder, CO, 100 ppm in Air, 34 liter	55.00
81-0068RK-03	Cylinder, CO, 100 ppm in N2, 103L	155.00
81-0068RK-01	Cylinder, CO, 100 ppm in N2, 34L	55.00
81-0066RK-03	Cylinder, CO, 200 ppm in Air, 103L	155.00
81-0066RK-01	Cylinder, CO, 200 ppm in Air, 34L	55.00
81-0069RK-03	Cylinder, CO, 200 ppm in N2, 103L	155.00
81-0069RK	Cylinder, CO, 200 ppm in N2, 17L	45.00
81-0069RK-01	Cylinder, CO, 200 ppm in N2, 34L	55.00
81-0064RK-03	Cylinder, CO, 50 ppm in Air, 103L	155.00
81-0064RK-01	Cylinder, CO, 50 ppm in Air, 34L	55.00
81-0073RK-03	Cylinder, CO2, 15% in N2, 103L	155.00
81-0073RK-01	Cylinder, CO2, 15% in N2, 34L	55.00
81-0072RK-03	Cylinder, CO2, 2.5% in N2, 103L	155.00
81-0072RK-01	Cylinder, CO2, 2.5% in N2, 34L	55.00
81-0070RK-03	Cylinder, CO2, 2000 ppm in N2, 103L	155.00
81-0070RK-01	Cylinder, CO2, 2000 ppm in N2, 34L	55.00
81-0071RK-03	Cylinder, CO2, 5000 ppm in N2, 103L	155.00
81-0071RK-01	Cylinder, CO2, 5000 ppm in N2, 34L	55.00

Calibration Equipment

Calibration Cylinders

<u>Part#</u>	<u>Description</u>	<u>Suggested Retail</u>
81-0001RK-23	Cylinder, H2, 1.2%(30% LEL) in Air, 103L	155.00
81-0001RK-21	Cylinder, H2, 1.2%(30% LEL) in Air, 34L	55.00
81-0001RK-31	Cylinder, H2, 1.3% vol (33 % LEL) in Air, 34L	55.00
81-0000RK-03	Cylinder, H2, 1000 ppm in Air, 103L	155.00
81-0000RK-01	Cylinder, H2, 1000 ppm in Air, 34L	55.00
81-0000RK-23	Cylinder, H2, 2000 ppm in Air, 103L	155.00
81-0000RK-21	Cylinder, H2, 2000 ppm in Air, 34L	55.00
81-0000RK-41	Cylinder, H2, 3000 ppm in Air, 34L	55.00
81-0000RK-33	Cylinder, H2, 4000 ppm in Air, 103L	155.00
81-0000RK-31	Cylinder, H2, 4000 ppm in Air, 34L	55.00
81-0002RK-03	Cylinder, H2, 50% LEL in Air, 103L	155.00
81-0002RK	Cylinder, H2, 50% LEL in Air, 17L	45.00
81-0002RK-01	Cylinder, H2, 50% LEL in Air, 34L	55.00
81-0000RK-73	Cylinder, H2, 500 ppm in Air, 103L	155.00
81-0000RK-61	Cylinder, H2, 5000 ppm in Air, 34L	55.00
81-0150RK-02	Cylinder, H2S 10 ppm in N2, 58AL	175.00
81-0146RK-02	Cylinder, H2S 200 ppm in N2, 58AL	175.00
81-0155RK-04	Cylinder, H2S 25 ppm / CO 50 ppm / HEX 15% LEL / O2 12% in N2, 34AL	275.00
81-0155RK-02	Cylinder, H2S 25 ppm / CO 50 ppm / HEX 15% LEL / O2 12% in N2, 58AL	245.00
81-0154RK-116	Cylinder, H2S 25 ppm / CO 50 ppm / CH4 50% LEL / O2 12% in N2, 116AL	340.00
81-0154RK-04	Cylinder, H2S 25 ppm / CO 50 ppm / CH4 50% LEL / O2 12% in N2, 34AL	165.00
81-0154RK-02	Cylinder, H2S 25 ppm / CO 50 ppm / CH4 50% LEL / O2 12% in N2, 58AL	240.00
81-0158RK-04	Cylinder, H2S 25 ppm / CO 50 ppm / isobutane 50% LEL / O2 12% in N2, 34AL	170.00
81-0156RK-02	Cylinder, H2S 25 ppm / CO 50 ppm / Pentane 32% LEL / O2 14% in N2, 58AL	245.00
81-0151RK-04	Cylinder, H2S 25 ppm in N2, 34AL	125.00
81-0151RK-02	Cylinder, H2S 25 ppm in N2, 58AL	175.00
81-0149RK-02	Cylinder, H2S 5 ppm in N2, 58AL	175.00
81-0153RK-02	Cylinder, H2S 50 ppm in AIR, 58AL	175.00
81-0152RK-02	Cylinder, H2S 50 ppm in N2, 58AL	175.00
81-0140RK-04	Cylinder, H2S 50 ppm/50% LEL isobutane in N2, 34AL	175.00
81-0140RK-02	Cylinder, H2S 50 ppm/50% LEL isobutane in N2, 58AL	255.00
81-0145RK-16	Cylinder, H2S 500 ppm in N2, 116AL	255.00
81-0145RK-02	Cylinder, H2S 500 ppm in N2, 58AL	190.00
81-0194RK-02	Cylinder, HCl, 10 ppm in N2, 58AL	350.00
81-0195RK-04	Cylinder, HCl, 5 ppm in N2, 34AL	265.00
81-0195RK-02	Cylinder, HCl, 5 ppm in N2, 58AL	350.00
81-0196RK-04	Cylinder, HCN, 10 ppm in N2, 34AL	235.00
81-0196RK-02	Cylinder, HCN, 10 ppm in N2, 58AL	350.00
81-0007RK	Cylinder, Hexane, 15% LEL/Air, 17L	45.00
81-0007RK-01	Cylinder, Hexane, 15% LEL/Air, 34L	55.00
81-0009RK	Cylinder, Hexane, 40% LEL in Air, 17L	45.00
81-0083RK-03	Cylinder, Hexane, 400 ppm in Air, 103L	195.00
81-0083RK-04	Cylinder, Hexane, 400 ppm in Air, 34AL	135.00
81-0014RK	Cylinder, IPA, 10% LEL in Air, 17L size (8 liters gas) 120 psi	65.00
81-0019RK	Cylinder, isobutane 10% in N2, 17L	60.00
81-0021RK-01	Cylinder, isobutane 20% LEL in Air, 34L	55.00
81-0018RK-03	Cylinder, isobutane 50% LEL in Air, 103L	155.00
81-0018RK	Cylinder, isobutane 50% LEL in Air, 17L	45.00
81-0018RK-01	Cylinder, isobutane 50% LEL in Air, 34L	55.00
81-0017RK-01	Cylinder, isobutane 500 ppm in Air, 34L	55.00
81-0104RK-01	Cylinder, isobutylene 10 ppm in Air, 34L	55.00
81-0104RK-03	Cylinder, isobutylene 10 ppm in Air, 103L	155.00
81-0104RK-04	Cylinder, isobutylene 10 ppm in Air, 34AL (aluminum cylinder)	135.00
81-0143RK-04	Cylinder, isobutylene 100 ppm / H2S 25 ppm / CO 50 ppm / CH4 50% LEL / O2 12% in N2, 34AL	220.00
81-0143RK-02	Cylinder, isobutylene 100 ppm / H2S 25 ppm / CO 50 ppm / CH4 50% LEL / O2 12% in N2, 58AL	300.00
81-0103RK-03	Cylinder, isobutylene 100 ppm in Air, 103L	155.00
81-0103RK-04	Cylinder, isobutylene 100 ppm in Air, 34AL (aluminum cylinder)	165.00
81-0103RK-01	Cylinder, isobutylene 100 ppm in Air, 34L (steel cylinder)	55.00
81-0016RK-05	Cylinder, Methane 100% volume, 58L steel	140.00

Calibration Equipment

Calibration Cylinders

Part#	Description	Suggested Retail
81-0101RK-03	Cylinder, Methane 50% LEL/17% O2 in N2, 103L	155.00
81-0101RK	Cylinder, Methane 50% LEL/17% O2 in N2, 17L	45.00
81-0085RK-03	Cylinder, Methane, 1,000 ppm Air, 103L	155.00
81-0085RK-01	Cylinder, Methane, 1,000 ppm in Air, 34L	55.00
81-0010RK-03	Cylinder, Methane, 10% LEL in Air, 103L	155.00
81-0010RK-01	Cylinder, Methane, 10% LEL in Air, 34L	55.00
81-0011RK-01	Cylinder, Methane, 10% vol in N2, 34L	55.00
81-0012RK-21	Cylinder, Methane, 25% LEL in Air, 34L	55.00
81-0080RK-03	Cylinder, Methane, 50 ppm in Air, 103L	155.00
81-0012RK	Cylinder, Methane, 50% LEL in Air, 17L	45.00
81-0012RK-01	Cylinder, Methane, 50% LEL in Air, 34L	55.00
81-0012RK-03	Cylinder, Methane, 50% LEL/Air, 103L	155.00
81-0013RK-01	Cylinder, Methane, 50% volume in N2, 34L	55.00
81-0013RK-02	Cylinder, Methane, 50% volume in N2, 58AL aluminum	150.00
81-0013RK-05	Cylinder, Methane, 50% volume in N2, 58L steel	150.00
81-0079RK-03	Cylinder, Methane, 500 ppm in Air, 103L	155.00
81-0086RK-01	Cylinder, Methane, 5000 ppm in Air, 34L	55.00
81-0078RK-03	Cylinder, N2 100%, 103L.....	155.00
81-0078RK	Cylinder, N2 100%, 17L	45.00
81-0078RK-01	Cylinder, N2 100%, 34L	55.00
81-0094RK	Cylinder, nbutane 50% LEL / O2 12% / N2, 17L.....	45.00
81-0006RK-01	Cylinder, nButane, 9000 ppm/Air, 34L	55.00
81-0177RK-03	Cylinder, Nitrogen Trifluoride, 25 ppm in N2, 100L	480.00
81-0181RK-04	Cylinder, NO, 25 ppm in N2, 34AL	230.00
81-0181RK-02	Cylinder, NO, 25 ppm in N2, 58AL	350.00
81-0180RK-04	Cylinder, NO2, 10 ppm in Air, 34AL	230.00
81-0180RK-02	Cylinder, NO2, 10 ppm in Air, 58AL	350.00
81-0075RK-03	Cylinder, O2, 10% in N2, 103L	155.00
81-0075RK	Cylinder, O2, 10% in N2, 17L	45.00
81-0075RK-01	Cylinder, O2, 10% in N2, 34L	55.00
81-0074RK-03	Cylinder, O2, 2% in N2, 103L	155.00
81-0074RK	Cylinder, O2, 2% in N2, 17L	45.00
81-0091RK	Cylinder, Pentane 25% LEL / CO 100 ppm / O2 19% in N2, 17L	45.00
81-0093RK-03	Cylinder, Pentane 25% LEL / CO 50 ppm / O2 12% in N2, 103L	195.00
81-0093RK	Cylinder, Pentane 25% LEL / CO 50 ppm / O2 12% in N2, 17L	45.00
81-0185RK-04	Cylinder, Phosphine, 0.5 ppm in N2, 34AL.....	280.00
81-0185RK-02	Cylinder, Phosphine, 0.5 ppm in N2, 58AL.....	380.00
81-0092RK-03	Cylinder, Propane 50 % LEL / CO 50 ppm / O2 12% in N2, 103L	195.00
81-0003RK-13	Cylinder, Propane, 10% LEL in Air, 103L.....	155.00
81-0003RK-03	Cylinder, Propane, 25% LEL in Air, 103L.....	155.00
81-0003RK-01	Cylinder, Propane, 25% LEL in Air, 34L	55.00
81-0004RK	Cylinder, Propane, 50% LEL in Air, 17L	45.00
81-0004RK-01	Cylinder, Propane, 50% LEL in Air, 34L	55.00
81-0004RK-03	Cylinder, Propane, 50% LEL/Air, 103L	155.00
81-0082RK-03	Cylinder, R-12 (Freon-12), 2000 ppm/Air, 103L	195.00
81-0082RK	Cylinder, R-12 (Freon-12), 2000 ppm/Air, 17L	75.00
81-0082RK-01	Cylinder, R-12 (Freon-12), 2000 ppm/Air, 34L	110.00
81-0084RK-01	Cylinder, R-134A (Freon 134A), 2, 000 ppm in Air, 34L	105.00
81-0081RK-02	Cylinder, R-22 (Freon 22), 2000 ppm in Air, 34L.....	95.00
81-0165RK-02	Cylinder, Silane 5 ppm in N2, 58AL	380.00
81-0142RK-04	Cylinder, SO2 5 PPM / H2S 25 ppm / CO 50 ppm / CH4 50% LEL / O2 12% in N2, 34AL	170.00
81-0142RK-02	Cylinder, SO2 5 PPM / H2S 25 ppm / CO 50 ppm / CH4 50% LEL / O2 12% in N2, 58AL	260.00
81-0170RK-04	Cylinder, SO2 5 ppm in N2, 34AL	135.00
81-0170RK-02	Cylinder, SO2 5 ppm in N2, 58AL	175.00
81-0102RK-04	Cylinder, Toluene 400 ppm in Air, 34AL	175.00
81-0076RK-03	Cylinder, Zero Air, 103L	155.00
81-0076RK	Cylinder, Zero Air, 17L.....	45.00
81-0076RK-01	Cylinder, Zero Air, 34 L	55.00

Calibration Equipment

Calibration Hardware

<u>Part#</u>	<u>Description</u>	<u>Suggested Retail</u>
06-1248RK	Tubing, polyurethane, 3/16 OD x 5/16 ID, per foot	2.00
06-1248RK-03	Calibration Tubing, polyurethane, 3/16 OD x 5/16 ID, 3'	4.50
06-1248RK-215A	Tubing assembly for RI-215A diffusion cal kit,3 feet	6.80
06-1283RK	Tubing, teflon/polyurethane, 1/4" OD x 1/8" ID, 3', for toxic gas cal kits	12.00
20-0110RK-01	Case for 1-3 cylinders,17/34L/34AL, with foam.....	75.00
20-0111RK-01	Case for 3 cylinders with foam, 58AL/103L	120.00
20-0114RK-02	Case with foam for cal kit with 4 cylinders	215.00
20-0121RK	Case for 2 Cylinders, 58AL/103L.....	56.00
31-0003RK	Flowmeter/ .2 - 2 SCFH, Dwyer	36.00
33-2001RK-01	Humidifier tube assembly for cal kits, with 3/16" tubing on ends, 6"	100.00
33-2002RK-01	Humidifier, 24" for cal kits, with 3/16" tubing on ends, for EAGLE	280.00
35-1513RK	Cal/sample adaptor plate, GX-94	28.00
81-0900RK	Gas check card for FP-250 & FP-270 series only	15.00
81-1001RK	Dispensing valve, 17/34L	28.00
81-1003RK	Regulator, econo, no gauge, no knob, 17/34L, 0.5 LPM	65.00
81-1050RK	Regulator, with gauge & knob, 17/34L, 0.5 LPM	125.00
81-1051RK	Regulator, with gauge & knob, 34AL/58AL/103L, 0.5 LPM	125.00
81-1051RK-10	Regulator, with gauge & knob, 34AL/58AL/103L, 1.0 LPM	125.00
81-1051RK-30	Regulator, with gauge and knob, 34AL/58AL/103L, 3.0 LPM	125.00
81-1051RK-60	Regulator, with gauge & knob, 34AL/58AL/103L, 6.0 LPM	125.00
81-1054RK	Regulator, demand flow for 34AL/58AL/103L	280.00
81-1054RK-CGA33	Regulator, demand flow, with CGA330	320.00
81-1054RK-CGA35	Regulator, demand flow, with CGA350	355.00
81-1054RK-CGA59	Regulator, demand flow, with CGA590	355.00
81-1055RK	Regulator, demand flow for 17L/34L steel cylinders.....	280.00
81-1070RK	Recycling tool, releases all pressure from 34AL/58AL/103L cylinders	88.00
81-1071RK	Recycling tool, releases all pressure from 17L/34L cylinders	88.00
81-1103RK	Cal cup, for IR 3/4" NPT sensor	15.00
81-1104RK	Calibration adapter for -01 series & GasWatch 2	33.00
81-1107RK	Cal cap for GX-2001 and GX-2009	15.00
81-1109RK	Cal cup for 82 single gas series, GX-82/86/91B (Not for GX-82A or GX-86A)	50.00
81-1112RK	Cal cup, LEL, Screw on,w/fitings, for 1/2 NPT sensor	40.00
81-1112RK-01	Cal cup with diffuser holes, for 1/2 NPT sensor.....	45.00
81-1113RK	Cal cup, PS-2, with Screws	5.00
81-1114RK	Cal cup, diffusion, super toxic, GD-K8A, (rim feed)	20.00
81-1116RK	Cal cup/splash guard assembly, for CT7 sensor housing	60.00
81-1117RK	Cal cup, standard, fixed systems, for conduit mounting, LEL/O2/H2S/CO, (NPT type)	40.00
81-1120RK	Cal cup, for GD-A8 and GD-A8V,w/fitting	100.00
81-1122RK	Cal cup, for RKI potted 1/2 NPT sensor	40.00
81-1122RK-01	Cal cup w/diffuser holes, for RKI potted 1/2 NPT	45.00
81-1123RK	Cal cup, diffusion EAGLE	34.00
81-1126RK	Gas bag with fitting & hose barb, 9" x 9" tedlar, 2 liters	27.00
81-1127RK	Gas bag with fitting & hose barb, 12x12, tedlar, 5 liters	29.00
81-1128RK	Gas bag with fitting & hose barb, 15 x 15, tedlar, 10 liters	44.00
81-1129RK	Gas bag with fitting & hose barb, tedlar, 6 Liter	84.00
81-1131RK	Gas bag, Green, LEL range, for RI/RX-415	45.00
81-1132RK	Gas bag, Orange, Volume range, for RI/RX-415	45.00
81-1138RK	Cal cup, for ESM-01 diffusion sensors, fixed systems (not for Cl2 or NH3)	48.00
81-1138RK-CL2	Cal cup, for ESM-01 diffusion chlorine sensors, fixed systems	48.00
81-1138RK-NH3	Cal cup, for ESM-01 diffusion ammonia sensors, fixed systems	48.00
81-1139RK	Cup cup, for general SC-01 use, (NOT for CL2 or NH3)	80.00
81-1139RK-CL2	Cup cup, for chlorine (Cl2) SC-01	80.00
81-1139RK-NH3	Cup cup, for ammonia (NH3) SC-01	80.00
81-1150RK	Shell, GX-86/-86A, aspirator adapter	48.00
81-1500RK	Cylinder holder for 58 liter aluminum cylinders	16.00
81-1501RK	Cylinder holder for 103 liter steel cylinders and 116 liter aluminum cylinders	16.00
81-1502RK	Cylinder holder for 17/34 liter steel cylinders, and for 34 liter aluminum cylinders	16.00
82-0006RK	Screwdriver, pot adjust, no logo	3.80

Portable Calibration Kits

Instrument #	Cal Kit #	Cal Kit Description	Kit Price
03 Series			
72-0037	81-GP03	Cal kit, GP-03, 103L cyl 50% LEL CH4/Air, regulator, cal cup, case & tubing	370.00
	81-GP03-HLV	Cal kit, GP-03, 34L cyl 50% LEL Hexane/Air, regulator, cal cup, case & tubing	285.00
	81-GP03-LV	Cal kit, GP-03, 34L cyl 50% LEL CH4/Air, regulator, cal cup, case & tubing	285.00
	81-GP03H2-LV	Cal kit, GP-03, 34L cyl 50% LEL Hydrogen/Air, regulator, cal cup, case & tubing	285.00
	81-GP03IB-LV	Cal kit, GP-03, 34L cyl 50% LEL Isobutane/Air, regulator, cal cup, case & tubing	285.00
72-0038	81-GP03	Cal kit, GP-03, 103L cyl 50% LEL CH4/Air, regulator, cal cup, case & tubing	370.00
	81-GP03-HLV	Cal kit, GP-03, 34L cyl 50% LEL Hexane/Air, regulator, cal cup, case & tubing	285.00
	81-GP03-LV	Cal kit, GP-03, 34L cyl 50% LEL CH4/Air, regulator, cal cup, case & tubing	285.00
	81-GP03H2-LV	Cal kit, GP-03, 34L cyl 50% LEL Hydrogen/Air, regulator, cal cup, case & tubing	285.00
	81-GP03IB-LV	Cal kit, GP-03, 34L cyl 50% LEL Isobutane/Air, regulator, cal cup, case & tubing	285.00
73-0060	81-CO03	Cal kit, CO-03, 103L cyl 50 ppm CO/N2, regulator, cal cup, case & tubing	370.00
	81-CO03-LV	Cal kit, CO-01, 34L cyl 50 ppm CO/N2, regulator, cal cup, case & tubing	285.00
73-0062	81-HS03	Cal kit, HS-03, 58AL cyl 25 ppm H2S/N2, regulator, cal cup, case & tubing	390.00
	81-HS03-LV	Cal kit, HS-03, 34AL cyl 25 ppm H2S/N2, regulator, cal cup, case & tubing	355.00
P-200 Series			
72-0001RK	81-GP204	Cal kit, GP-204, 34L cyl CH4/Air, reg with gauge & knob, screwdriver, case & tubing	260.00
	81-GP204-ISO	Cal kit, GP-204, 34L cyl 50% LEL isobutane/Air, reg with gauge & knob, screwdriver, case & tubing	260.00
72-0004RK	81-NP204	Cal kit, NP-204, 34L cyl 50% LEL CH4/Air, 34L cyl 50% vol CH4/N2, reg with gauge & knob, screwdriver, case & tubing	315.00
GasWatch 2			
72-0007RK	81-GW2X-LV	Cal kit, GW2, 34L cyl 100% N2, reg with gauge & knob, cal cup, case & tubing	290.00
73-0040K	81-GW2C-LV	Cal kit, GW2, 34L cyl CO / N2, reg with gauge & knob, cal cup, case & tubing	290.00
73-0041RK	81-GW2H-LV	Cal kit, GW2, 34AL cyl H2S/N2, reg with gauge & knob, cal cup, case & tubing	360.00
OX-07 OX-1 OX-62B			
72-0009RK	81-OX07-LV	Cal kit, OX-07, 34L cyl 100% N2, reg with gauge & knob, cal cup, case & tubing	335.00
	81-OX07NG-LV	Cal kit, OX-01, with no gas, reg with gauge & knob, cal cup, case & tubing	280.00
72-0015RK	81-OX1	Cal kit, OX-1, 34L cyl 100% N2, reg with gauge & knob, screwdriver, case & tubing	260.00
72-0020RK	81-OX62B	Cal kit, OX-62B, 34L cyl 100% N2, reg with gauge & knob, cal cup, screwdriver, case & tubing	310.00
01 Series			
72-0008RK	81-OX01-LV	Cal kit, OX-01, 34L cyl 100% N2, reg with gauge & knob, cal cup, case & tubing	290.00
72-0008RK-01	81-OX01-LV	Cal kit, OX-01, 34L cyl 100% N2, reg with gauge & knob, cal cup, case & tubing	290.00
72-0008RK-03	81-OX01-LV	Cal kit, OX-01, 34L cyl 100% N2, reg with gauge & knob, cal cup, case & tubing	290.00
72-0033RK-01	81-GP01	Cal kit, GP-01, 103L cyl 50% LEL CH4/Air, reg with gauge & knob, cal cup, case & tubing	370.00
	81-GP01-H2LV	Cal kit, GP-01, 34L cyl 50% LEL H2/Air, reg with gauge & knob, cal cup, case & tubing	290.00
	81-GP01-HLV	Cal kit, GP-01, 34L cyl 15% LEL Hexane/Air, reg with gauge & knob, cal cup, case & tubing	290.00
	81-GP01-LV	Cal kit, GP-01, 34L cyl 50% LEL CH4/Air, reg with gauge & knob, cal cup, case & tubing	290.00
72-0033RK-03	81-GP01-H2LV	Cal kit, GP-01, 34L cyl 50% LEL H2/Air, reg with gauge & knob, cal cup, case & tubing	290.00
	81-GP01-HLV	Cal kit, GP-01, 34L cyl 15% LEL Hexane/Air, reg with gauge & knob, cal cup, case & tubing	290.00
	81-GP01-LV	Cal kit, GP-01, 34L cyl 50% LEL CH4/Air, reg with gauge & knob, cal cup, case & tubing	290.00
72-0033RK, 72-0034RK	81-GP01-H2LV	Cal kit, GP-01, 34L cyl 50% LEL H2/Air, reg with gauge & knob, cal cup, case & tubing	290.00
	81-GP01-HLV	Cal kit, GP-01, 34L cyl 15% LEL Hexane/Air, reg with gauge & knob, cal cup, case & tubing	290.00
	81-GP01-LV	Cal kit, GP-01, 34L cyl 50% LEL CH4/Air, reg with gauge & knob, cal cup, case & tubing	290.00
72-0034RK-01	81-GP01-H2LV	Cal kit, GP-01, 34L cyl 50% LEL H2/Air, reg with gauge & knob, cal cup, case & tubing	290.00
	81-GP01-HLV	Cal kit, GP-01, 34L cyl 15% LEL Hexane/Air, reg with gauge & knob, cal cup, case & tubing	290.00
	81-GP01-LV	Cal kit, GP-01, 34L cyl 50% LEL CH4/Air, reg with gauge & knob, cal cup, case & tubing	290.00
72-0034RK-03	81-GP01-H2LV	Cal kit, GP-01, 34L cyl 50% LEL H2/Air, reg with gauge & knob, cal cup, case & tubing	290.00
	81-GP01-HLV	Cal kit, GP-01, 34L cyl 15% LEL Hexane/Air, reg with gauge & knob, cal cup, case & tubing	290.00
	81-GP01-LV	Cal kit, GP-01, 34L cyl 50% LEL CH4/Air, reg with gauge & knob, cal cup, case & tubing	290.00
72-0034RK-04	81-GP01-H2LV	Cal kit, GP-01, 34L cyl 50% LEL H2/Air, reg with gauge & knob, cal cup, case & tubing	290.00
	81-GP01-HLV	Cal kit, GP-01, 34L cyl 15% LEL Hexane/Air, reg with gauge & knob, cal cup, case & tubing	290.00
	81-GP01-LV	Cal kit, GP-01, 34L cyl 50% LEL CH4/Air, reg with gauge & knob, cal cup, case & tubing	290.00

Portable Calibration Kits

Instrument #	Cal Kit #	Cal Kit Description	Kit Price
72-0034RK-05	81-GP01-H2LV	Cal kit, GP-01, 34L cyl 50% LEL H2/Air, reg with gauge & knob, cal cup, case & tubing	290.00
	81-GP01-HLV	Cal kit, GP-01, 34L cyl 15% LEL Hexane/Air, reg with gauge & knob, cal cup, case & tubing	290.00
	81-GP01-LV	Cal kit, GP-01, 34L cyl 50% LEL CH4/Air, reg with gauge & knob, cal cup, case & tubing	290.00
73-0044RK-01	81-CO01-LV	Cal kit, CO-01, 34L cyl 50 ppm CO/N2, reg with gauge & knob, cal cup, case & tubing	290.00
73-0044RK-03	81-CO01-LV	Cal kit, CO-01, 34L cyl 50 ppm CO/N2, reg with gauge & knob, cal cup, case & tubing	290.00
73-0046Rk	81-HS01-LV	Cal kit, HS-01, 34AL cyl 25 ppm H2S/N2, reg with gauge & knob, cal cup, case & tubing	360.00
XP-204 GX-4000 NP-237 NP-85 GX-85N			
72-0050RK	81-XP204	Cal kit, XP-204 34L cyl 100% N2, reg with gauge & knob, screwdriver, case & tubing	260.00
72-0085RK	81-GX4000RK	Cal kit, GX-4000, 103L cyl CO/CH4/O2, 58AL cyl H2S/N2, dem flow reg, screwdriver, case & tubing	710.00
	81-GX4000RK-LV	Cal kit, GX-4000, 34L cyl CO/CH4/O2, 34AL cyl H2S/N2, reg with gauge & knob, disp valve, gas bag, screwdriver, case & tubing	440.00
	81-GX4000RKB	Cal kit, GX-4000/GX-111, 103L cyl CO/CH4/O2, 58AL cyl H2S/N2, reg with gauge & knob, screwdriver, case & tubing	585.00
72-0122RK	81-NP237H	Cal kit, NP-237H, 34L cyl 50% LEL isobutane/Air, 34L cyl 10% isobutane/N2, disp valve, gas bag, screwdriver, case & tubing	245.00
72-0125RK	81-NP85	Cal kit, NP-85, 34L cyl 50% LEL CH4/Air, 34L cyl 50% vol CH4/N2, disp valve, gas bag, screwdriver, case & tubing	245.00
72-0126RK	81-GX85N	Cal kit, GX-85N, 34L cyl CH4/Air, 34L cyl 100% N2, disp valve, gas bag, screwdriver, case & tubing	245.00
GP-1000 NC-1000			
72-0076-CH4	81-GP1000-DLV	Cal kit, GP-1000, 34AL 50% CH4 in air, dem flow reg, case & tubing	410.00
72-0076-HC	81-GP1000BDLV	Cal kit, GP-1000, 34AL 50% isobutane in air, dem flow reg, case & tubing	410.00
72-0077-HC	81-NC1000-DLV	Cal kit, NC-1000, 34AL isobutane 500 ppm in air, dem flow reg, case & tubing	410.00
GX-2001			
72-0229RK	81-GX01HCOIB-LV	Cal kit, GX-2001/GX-2009, 34AL cyl Isobutane/H2S/CO/O2, reg with gauge & knob, cal cap, case & tubing	385.00
	81-GX01HSCO	Cal kit, GX-2001/GX-2009, 58AL cyl Methane/H2S/CO/O2, reg with gauge & knob, cal cap, case & tubing	440.00
	81-GX01HSCO-LV	Cal kit, GX-2001/GX-2009, 34AL cyl Methane/H2S/CO/O2, reg with gauge & knob, cal cap, case & tubing	380.00
	81-GX01HXCO-LV	Cal kit, GX-2001/GX-2009, 34L cyl Hexane/O2/H2S/CO/N2, reg with gauge & knob, cal cap, case & tubing	490.00
	81-GX01HXCO-LV	Cal kit, GX-2001/GX-2009, 34L cyl Hexane/O2/H2S/CO/N2, reg with gauge & knob, cal cap, case & tubing	490.00
72-0230RK	81-GX01IB-LV	Cal kit, GX-2001/GX-2009, 34L cyl Isobutane/air, 34L cyl 100% N2, reg with gauge & knob, cal cap, case & tubing	325.00
72-0231RK	81-GX01CO	Cal kit, GX-2001/GX-2009, 103L cyl Methane/CO/O2, reg with gauge & knob, cal cap, case & tubing	395.00
	81-GX01CO-LV	Cal kit, GX-2001/GX-2009, 34L cyl Methane/CO/O2, reg with gauge & knob, cal cap, case & tubing	270.00
72-0232RK	81-GX01HCOIB-LV	Cal kit, GX-2001/GX-2009, 34AL cyl Isobutane/H2S/CO/O2, reg with gauge & knob, cal cap, case & tubing	385.00
	81-GX01HSCO	Cal kit, GX-2001/GX-2009, 58AL cyl Methane/H2S/CO/O2, reg with gauge & knob, cal cap, case & tubing	440.00
	81-GX01HSCO-LV	Cal kit, GX-2001/GX-2009, 34AL cyl Methane/H2S/CO/O2, reg with gauge & knob, cal cap, case & tubing	380.00
	81-GX01HXCO-LV	Cal kit, GX-2001/GX-2009, 34L cyl Hexane/O2/H2S/CO/N2, reg with gauge & knob, cal cap, case & tubing	490.00
72-0233RK	81-GX01HCOIB-LV	Cal kit, GX-2001/GX-2009, 34AL cyl Isobutane/H2S/CO/O2, reg with gauge & knob, cal cap, case & tubing	385.00
	81-GX01HSCO	Cal kit, GX-2001/GX-2009, 58AL cyl Methane/H2S/CO/O2, reg with gauge & knob, cal cap, case & tubing	440.00
	81-GX01HSCO-LV	Cal kit, GX-2001/GX-2009, 34AL cyl Methane/H2S/CO/O2, reg with gauge & knob, cal cap, case & tubing	380.00
	81-GX01HXCO-LV	Cal kit, GX-2001/GX-2009, 34L cyl Hexane/O2/H2S/CO/N2, reg with gauge & knob, cal cap, case & tubing	490.00
GX-2003			
72-0240RK	81-GX03CO	Cal kit, GX-2003/GX-2012, 103L cyl CO/CH4/O2 in N2, dem flow reg, case & tubing	535.00
	81-GX03CO-DLV	Cal kit, GX-2003/GX-2012, 34L cyl CO/CH4/O2, dem flow reg, case & tubing	410.00
	81-GX03CO-DLV	Cal kit, GX-2003/GX-2012, 34L cyl CO/CH4/O2, dem flow reg, case & tubing	410.00
	81-GX03CO-LV	Cal kit, GX-2003/GX-2012, 34L cyl CO/CH4/O2 in N2, dispensing valve, gas bag, case & tubing	185.00
72-0241RK	81-GX03CO	Cal kit, GX-2003/GX-2012, 103L cyl CO/CH4/O2 in N2, dem flow reg, case & tubing	535.00
	81-GX03CO-DLV	Cal kit, GX-2003/GX-2012, 34L cyl CO/CH4/O2, dem flow reg, case & tubing	410.00
	81-GX03CO-LV	Cal kit, GX-2003/GX-2012, 34L cyl CO/CH4/O2 in N2, dispensing valve, gas bag, case & tubing	185.00
72-0250RK	81-GX03CO	Cal kit, GX-2003/GX-2012, 103L cyl CO/CH4/O2 in N2, dem flow reg, case & tubing	535.00
	81-GX03CO-DLV	Cal kit, GX-2003/GX-2012, 34L cyl CO/CH4/O2, dem flow reg, case & tubing	410.00
	81-GX03CO-LV	Cal kit, GX-2003/GX-2012, 34L cyl CO/CH4/O2 in N2, dispensing valve, gas bag, case & tubing	185.00
72-0251RK	81-GX03CO	Cal kit, GX-2003/GX-2012, 103L cyl CO/CH4/O2 in N2, dem flow reg, case & tubing	535.00
	81-GX03CO-DLV	Cal kit, GX-2003/GX-2012, 34L cyl CO/CH4/O2, dem flow reg, case & tubing	410.00
	81-GX03CO-LV	Cal kit, GX-2003/GX-2012, 34L cyl CO/CH4/O2 in N2, dispensing valve, gas bag, case & tubing	185.00
72-0260RK	81-GX03HSCO	Cal kit, GX-2003/GX-2012, 58AL cyl H2S (25 ppm)/CO/CH4/O2, dem flow reg, case & tubing	580.00
	81-GX03HSCO-DLV	Cal kit, GX-2003/GX-2012, 34AL cyl H2S (25 ppm)/CO/CH4/O2, dem flow reg, case & tubing	520.00
	81-GX03HSCO-LV	Cal kit, GX-2003/GX-2012, 34AL cyl H2S (25 ppm)/CO/CH4/O2, reg with gauge & knob, gas bag, case & tubing	395.00

Portable Calibration Kits

Instrument #	Cal Kit #	Cal Kit Description	Kit Price
GX-8000			
72-0322RKC	81-5201RKIB-DLV	Cal kit, EAGLE, 34L cyl isobutane/air, 34L 100% N2, dem reg, case & tubing	470.00
72-0323RKC	81-5354RKIB-DLV	Cal kit, EAGLE, 34AL cyl 25 ppm H2S/CO/50% LEL isobutane/O2/N2, dem flow reg, screwdriver, case & tubing	530.00
72-0324RKC	81-5354RKIB-DLV	Cal kit, EAGLE, 34AL cyl 25 ppm H2S/CO/50% LEL isobutane/O2/N2, dem flow reg, screwdriver, case & tubing	530.00
72-0325RKC	81-GX12VCO-DLV	Cal kit, GX-2012, 34L cyl CO/CH4/O2, 34L 50% vol CH4, dem flow reg, case & tubing	465.00
72-0326RKC	81-5354RKIB-DLV	Cal kit, EAGLE, 34AL cyl 25 ppm H2S/CO/50% LEL isobutane/O2/N2, dem flow reg, screwdriver, case & tubing	530.00
EAGLE			
72-5101RK	81-5101RK	Cal kit, EAGLE/EAGLE 2, 103L cyl 50% LEL Methane/Air, dem flow reg, case & tubing	495.00
	81-5101RK-20	Cal kit, EAGLE/EAGLE 2, 103L cyl 20% LEL Methane/Air, dem flow reg, case & tubing	495.00
	81-5101RK-DLV	Cal kit, EAGLE/EAGLE 2, 34L cyl 50% LEL Methane/Air, dem flow reg, case & tubing	410.00
	81-5101RK-H2	Cal kit, EAGLE, 103L cyl 50% LEL Hydrogen/Air, dem flow reg, case & tubing	495.00
	81-5101RK-H2B	Cal kit, EAGLE, 103L cyl 50% LEL Hydrogen/Air, reg, gas bag, case & tubing	365.00
	81-5101RK-H2DLV	Cal kit, EAGLE, 34L cyl 50% LEL Hydrogen/Air, dem reg, case & tubing	410.00
	81-5101RK-H2LV	Cal kit, EAGLE, 34L cyl 50% LEL Hydrogen/Air, disp valve, gas bag, case & tubing	185.00
	81-5101RK-HDLV	Cal kit, EAGLE, 34L cyl 15% LEL Hexane/Air, dem reg, case & tubing	410.00
	81-5101RK-HLV	Cal kit, EAGLE, 34L cyl 15% LEL Hexane/Air, disp valve, gas bag, case & tubing	185.00
	81-5101RK-ISO	Cal kit, EAGLE, 103L cyl 50% LEL Isobutane/Air, dem flow reg, case & tubing	495.00
	81-5101RK-LV	Cal kit, EAGLE, 34L cyl 50% LEL Methane/Air, disp valve, sample bag, case & tubing	185.00
	81-5101RKI-DLV	Cal kit, EAGLE, 34L cyl 50% LEL Isobutane/Air, dem flow reg, case & tubing	410.00
81-5101RKP	Cal kit, EAGLE, 103L cyl 50% LEL Propane/Air, dem flow reg, case & tubing	495.00	
72-5102RK	81-5102RK-DLV	Cal kit, EAGLE/EAGLE 2, 34L cyl 100% Nitrogen, dem flow reg, case & tubing	410.00
	81-5102RK-LV	Cal kit, EAGLE, 34L cyl 100% N2, disp valve, gas bag, case & tubing	185.00
	81-5102RKNL-LV	Cal kit, EAGLE, with no gas, disp valve, gas bag, case & tubing	130.00
72-5103RK	81-5103RK-DLV	Cal kit, EAGLE, 34AL cyl 25 ppm Hydrogen Sulfide/N2, dem flow reg, case & tubing	485.00
	81-5103RK1000	Cal kit, EAGLE, 58AL cyl 50 ppm Hydrogen Sulfide/N2, reg, gas bag, case & tubing	385.00
72-5104RK	81-5104RK-LV	Cal kit, EAGLE, 34L cyl 50 ppm Carbon Monoxide/Air, disp valve, gas bag, case & tubing	185.00
72-5105RK	81-5105RK-LV	Cal kit, EAGLE, 34AL cyl 2 ppm SO2/N2, reg, gas bag, screwdriver, case & tubing	370.00
72-5106RK	81-5106RK	Cal kit, EAGLE, 58AL cyl 2 ppm Chlorine/N2, dem flow reg, screwdriver, case & tubing	700.00
	81-5106RK-DLV	Cal kit, EAGLE, 34AL cyl 2 ppm Chlorine/N2, dem reg, screwdriver, case & tubing	605.00
	81-5106RK-LV	Cal kit, EAGLE, 34AL cyl 2 ppm Chlorine/N2, reg, gas bag, screwdriver, case & tubing	475.00
72-5107RK	81-5107RKS-LV	Cal kit, EAGLE, 34AL cyl PH3/N2, 34L cyl N2 100%, reg, gas bag, screwdriver, case & tubing	705.00
72-5108RK	81-5108RK	Cal kit, EAGLE, 58AL cyl 0.5 ppm Phosphine/N2, dem flow reg, screwdriver, case & tubing	730.00
	81-5108RK-DLV	Cal kit, EAGLE, 34AL cyl 0.5 ppm Phosphine/N2, dem reg, screwdriver, case & tubing	645.00
72-5110RK	81-5110RK	Cal kit, EAGLE, 58AL cyl 5 ppm Hydrogen Chloride/N2, reg, gas bag, screwdriver, case & tubing	570.00
	81-5110RK-LV	Cal kit, EAGLE, 34AL cyl 5 ppm Hydrogen Chloride/N2, reg, gas bag, screwdriver, case & tubing	505.00
72-5111RK	81-5111RK	Cal kit, EAGLE, 58AL cyl 10 ppm Ammonia/N2, dem flow reg, screwdriver, case & tubing	700.00
	81-5111RK-DLV	Cal kit, EAGLE, 34AL cyl 10 ppm Ammonia/N2, dem reg, screwdriver, case & tubing	570.00
	81-5111RK01-DLV	Cal kit, EAGLE, 34AL cyl 25 ppm Ammonia/N2, dem reg, screwdriver, case & tubing	595.00
72-5112RK	81-5112RK	Cal kit, EAGLE, 58AL cyl 2 ppm Chlorine/N2, dem flow reg, screwdriver, case & tubing	700.00
	81-5112RK-LV	Cal Kit, EAGLE, 34AL cyl 2 ppm Chlorine/N2, reg with gauge & knob, gas bag, screwdriver, case & tubing	475.00
72-5113RK	81-5113RK	Cal Kit, EAGLE, 58AL cyl 25 ppm Nitric Oxide/N2, dem flow reg, screwdriver, case & tubing	700.00
72-5114RK	81-5114RK	Cal Kit, EAGLE, 58AL cyl 10 ppm Nitrogen Dioxide/Air, dem flow reg, screwdriver, case & tubing	700.00
	81-5114RK-LV	Cal kit, EAGLE, 34AL cyl 10 ppm Nitrogen Dioxide/Air, reg with gauge & knob, screwdriver, case & tubing	470.00
72-5115RK-02	81-5115RK02	Cal kit, EAGLE, 103L cyl 5,000 ppm CO2/N2, dem flow reg, screwdriver, case & tubing	495.00
72-5115RK-03	81-5115RK03	Cal kit, EAGLE, 103L cyl 2.5% CO2/N2, dem flow reg, screwdriver, case & tubing	495.00
72-5115RK-04	81-5115RK04DLV	Cal kit, EAGLE, 34L cyl 15% CO2 in N2, dem reg, case & tubing	415.00
72-5115RK-05	81-5115RK05-LV	Cal kit, EAGLE, 34L cyl 15% CO2/N2, disp valve, gas bag, screwdriver, case & tubing	190.00
72-5120RK	81-5120RK	Cal kit, EAGLE, 58L cyl 50% vol Methane/N2, dem flow reg, screwdriver, case & tubing	490.00
	81-5120RK-LV	Cal kit, EAGLE, 34L 50% vol Methane/N2, disp valve, gas bag, screwdriver, case & tubing	190.00
72-5123RK	81-5123RK-DLV	Cal kit, EAGLE, 34AL cyl 10 ppm Hydrogen Cyanide/N2, dem reg, screwdriver, case & tubing	605.00

Portable Calibration Kits

Instrument #	Cal Kit #	Cal Kit Description	Kit Price
EAGLE			
72-5201RK	81-5201RK	Cal kit, EAGLE, 103L cyl CH4/CO/O2, dem flow reg, case & tubing	535.00
	81-5201RK-DLV	Cal kit, EAGLE, 34L cyl CH4/CO/O2, dem reg, screwdriver, case & tubing	410.00
	81-5201RK-HLV	Cal kit, EAGLE, 34L cyl CO/Hex/O2, disp valve, gas bag, case & tubing	185.00
	81-5201RK-LV	Cal kit, EAGLE, 34L cyl CH4/CO/O2, disp valve, gas bag, case & tubing	185.00
	81-5201RKH	Cal kit, EAGLE, 103L cyl CO/Hex/O2, dem flow reg, case & tubing	535.00
	81-5201RKIB-DLV	Cal kit, EAGLE, 34L cyl isobutane/air, 34L 100% N2, dem reg, case & tubing	470.00
	81-5201RKP	Cal kit, EAGLE, 103L cyl CO/Pentane/O2, dem flow reg, case & tubing	535.00
72-5201RK-TR1	81-5201RKTR1	Cal kit, EAGLE, 103L cyl 50% LEL H2/Air, 103L cyl 100% N2, dem flow reg, case & tubing	650.00
	81-5201RKTR1-LV	Cal kit, EAGLE, 34L cyl 50% LEL H2/Air, 34L cyl 100% N2, disp valve, gas bag, case & tubing	240.00
72-5202RK	81-5202RK	Cal kit, EAGLE, 103 L cyl CH4/CO/O2, dem flow reg, case & tubing	535.00
	81-5202RK-H	Cal kit, EAGLE, 103L cyl 15% LEL HEX/CO/O2, dem flow reg, case & tubing	535.00
	81-5202RK-LV	Cal kit, EAGLE, 34L cyl CH4/CO/O2, disp valve, gas bag, case & tubing	185.00
	81-5202RKPRODLV	Cal kit, EAGLE, 34L cyl LEL propane/air, 34L 100% nitrogen, dem flow reg, case & tubing	310.00
72-5203RK	81-5203RK	Cal kit, EAGLE, 58AL cyl H2S (25 ppm)/CO/CH4/O2, dem flow reg, case & tubing	580.00
	81-5203RK-LV	Cal kit, EAGLE, 34AL cyl H2S (25 ppm)/CO/CH4/O2, reg with gauge & knob, gas bag, case & tubing	395.00
72-5204RK	81-5204RK-DLV	Cal kit, EAGLE, 34L cyl isobutane/air, 34L 100% N2, dem reg, case & tubing	410.00
72-5212RK	81-5212RK-LV	Cal kit, EAGLE, 34AL cyl NH3/N2, 58AL cyl SiH4/N2, reg with gauge & knob, gas bag, screwdriver, case & tubing	820.00
72-5213RK	81-5213RK-LV	Cal kit, EAGLE, 34AL cyl Cl2/N2, 58AL cyl SiH4/N2, reg with gauge & knob, gas bag, screwdriver, case & tubing	830.00
72-5221RK	81-5221RK	Cal kit, EAGLE, 58AL cyl SO2/ N2, 58AL cyl HCl/N2, dem flow reg, screwdriver, case & tubing	875.00
72-5222RK-02	81-5222RK02	Cal kit, EAGLE, 103L cyl 5,000 ppm CO2/N2, dem flow reg, screwdriver, case & tubing	495.00
	81-5222RK02-LV	Cal kit, EAGLE, 34L cyl 5,000 ppm CO2/N2, disp valve, gas bag, screwdriver, case & tubing	185.00
72-5222RK-05	81-5222RK02-LV	Cal kit, EAGLE, 34L cyl 5,000 ppm CO2/N2, disp valve, gas bag, screwdriver, case & tubing	185.00
	81-5222RK05	Cal kit, EAGLE, 103L cyl 15% CO2/N2, dem flow reg, screwdriver, case & tubing	495.00
72-5223RK-02	81-5223RK02	Cal kit, EAGLE, 103L cyl 5,000 ppm CO2/N2, 58AL cyl NH3/N2, dem flow reg, screwdriver, case & tubing	845.00
72-5223RK-03	81-5223RK03	Cal kit, EAGLE, 103L cyl 2.5% CO2/N2, 58AL cyl NH3/N2, dem flow reg, screwdriver, case & tubing	855.00
72-5234RK	81-5234RK-DLV	Cal kit, EAGLE, 34AL cyl 10 ppm NH3/N2, 103L cyl 50 ppm CO/air, dem flow reg, screwdriver, case & tubing	720.00
72-5238RK	81-5238RK	Cal kit, EAGLE, 103L cyl 50% LEL CH4/Air, 58L cyl 50% vol CH4/N2, dem flow reg, screwdriver, case & tubing	645.00
72-5243RK-02	81-5243RK02	Cal kit, EAGLE, 103L cyl 50% LEL Methane/Air, 103L cyl 5,000 ppm CO2/N2, dem flow reg, screwdriver, case & tubing	650.00
72-5244RK-DLV	81-5244RK-DLV	Cal kit, EAGLE, 34AL 5 ppm SO2 in n2, 34AL cyl 10 ppm NO2 in n2, dem reg, case & tubing	735.00
72-5256RK	81-5256RK-LV	Cal kit, EAGLE, 34AL cyl Cl2/N2, 34AL cyl NH3/N2, reg with gauge & knob, gas bag, screwdriver, case & tubing	900.00
72-5259RK	81-5259RK-LV	Cal kit, EAGLE, 34AL cyl NH3/N2, reg with gauge & knob, gas bag, screwdriver, case & tubing	465.00
72-5262RK	81-5262RK-LV	Cal kit, EAGLE, 34L cyl 50% LEL H2/Air, 34AL cyl PH3/N2, disp valve, reg with gauge & knob, gas bag, screwdriver, case & tubing	605.00
72-5265RK-02	81-5265RK02-DLV	Cal kit, EAGLE, 34AL 25 ppm H2S in N2, 103L cyl 5000 ppm CO2 in N2, dem reg, case & tubing	620.00
72-5265RK-03	81-5265RK03-DLV	Cal kit, EAGLE, 34AL 25 ppm H2S in N2, 103L cyl 2.5% CO2 in N2, dem reg, case & tubing	620.00
72-5266RK	81-5266RK-LV	Cal kit, EAGLE, 34AL cyl Cl2/N2, 34AL cyl HCl/N2, reg with gauge & knob, gas bag, screwdriver, case & tubing	740.00
72-5272RK	81-5272RK-LV	Cal kit, EAGLE, 34AL cyl SO2/N2, 34AL cyl NH3/N2, reg with gauge & knob, gas bag, screwdriver, case & tubing	600.00
72-5278RK	81-5278RKH2-DLV	Cal kit, EAGLE, 34L cyl 50% LEL Hydrogen/Air, 34L cyl 50 ppm CO/Air, dem flow reg, screwdriver, case & tubing	465.00
72-5286RK	81-5286RK	Cal kit, EAGLE, 103L cyl 50% LEL CH4/Air, 103L cyl 10 ppm NO2/N2, dem flow reg, screwdriver, case & tubing	845.00
72-5296RK	81-5296RK	Cal kit, EAGLE, 103L cyl 50% LEL CH4/Air, 58AL cyl 2 ppm Cl2/N2, dem flow reg, screwdriver, case & tubing	740.00
72-5301RK	81-5301RK	Cal kit, EAGLE, 58AL cyl H2S/CO/CH4/O2, dem flow reg, case & tubing	580.00
	81-5301RK-H	Cal kit, EAGLE, 58AL cyl H2S/CO/Hex/O2, dem flow reg, case & tubing	585.00
	81-5301RK-LV	Cal kit, EAGLE, 34AL cyl H2S/CO/CH4/O2, reg with gauge & knob, gas bag, case & tubing	395.00
72-5302RK	81-5302RK	Cal kit, EAGLE, 103L cyl CO/CH4/O2, dem flow reg, case & tubing	535.00
	81-5302RK-H	Cal kit, EAGLE, 103L cyl CO/Hex/O2, dem flow reg, case & tubing	535.00
	81-5302RK-HDLV	Cal kit, EAGLE, 34L cyl CO/Hex/O2, dem flow reg, case & tubing	415.00
	81-5302RK-HLV	Cal kit, EAGLE, 34L cyl CO/Hex/O2, disp valve, gas bag, case & tubing	185.00
	81-5302RK-LV	Cal kit, EAGLE, 34L cyl CO/CH4/O2, disp valve, gas bag, case & tubing	185.00
	81-5302RKNG	Cal kit, EAGLE, reg with gauge & knob, gas bag, case for 58AL / 103L cylinders & tubing (No Gas)	340.00
72-5308RK	81-5308RK	Cal kit, EAGLE, 103L cyl CO/CH4/O2, 58AL cyl Cl2/N2, dem flow reg, screwdriver, case & tubing	895.00
72-5310RK	81-5310RK	Cal kit, EAGLE, 103L cyl CO/CH4/O2, 58AL cyl Cl2/N2, dem flow reg, screwdriver, case & tubing	895.00
72-5316RK	81-5316RK-03	Cal kit, EAGLE, 103L cyl 2.5% CO2/N2, 103L cyl CO/CH4/O2/N2, dem flow reg, screwdriver, case & tubing	690.00

Portable Calibration Kits

Instrument #	Cal Kit #	Cal Kit Description	Kit Price
EAGLE			
72-5316RK-01	81-5316RK01	Cal kit, EAGLE, 103L cyl d 2,000 ppm CO2/N2, 103L cyl CO/CH4/O2, dem flow reg, screwdriver, case & tubing	690.00
	81-5316RK01-LV	Cal kit, EAGLE, 34L cyl of 2,000 ppm CO2/ N2, 34L cyl CO/CH4/O2, disp valve, gas bag, case & tubing	245.00
	81-5316RK01DLV	Cal kit, EAGLE, 34L cyl 2,000 ppm CO2/N2, 34L cyl CO/CH4/O2/N2, dem flow reg, screwdriver, case & tubing	470.00
72-5316RK-03	81-5316RK03-DLV	Cal kit, EAGLE, 34L cyl 2.5% CO2/N2, 34L cyl CO/CH4/O2/N2, dem flow reg, screwdriver, case & tubing	470.00
	81-5316RK03-HLV	Cal kit, EAGLE, 34L cyl 2.5% CO2/N2, 34L cyl CO/Hex/O2, disp valve, gas bag, screwdriver, case & tubing	245.00
72-5316RK-04	81-5316RK04	Cal kit, EAGLE, 103L cyl 15% CO2/N2, 34L cyl CO/CH4/O2, dem flow reg, screwdriver, case & tubing	690.00
72-5322RK	81-5322RK	Cal kit, EAGLE, 58L cyl 50% vol CH4/N2, 103L cyl CO/50% LEL CH4/O2/N2, dem flow reg, screwdriver, case & tubing	685.00
	81-5322RK-LV	Cal kit, EAGLE, 34L cyl 50% vol CH4/N2, 34L cyl CO/CH4/O2/N2, disp valve, gas bag, screwdriver, case & tubing	240.00
72-5327RK	81-5327RK	Cal kit, EAGLE, 58AL cyl H2S/N2, 58AL cyl SO2/N2, 58AL cyl HCl/N2, dem flow reg, screwdriver, case & tubing	1,265.00
72-5330RK	81-5330RK	Cal kit, EAGLE, 58AL cyl H2S/N2, 58AL cyl NH3/N2, dem flow reg, case & tubing	865.00
72-5331RK	81-5331RK-LV	Cal kit, EAGLE, 34L cyl 50% LEL CH4/air, 34AL cyl 5 ppm SO2/N2, 34AL cyl 10 ppm NO2/Air, reg with gauge & knob, disp valve, gas bag, screwdriver, case & tubing	690.00
72-5335RK-05	81-5335RK-05	Cal kit, EAGLE, 58L cyl 50% vol CH4/N2, 103L cyl 15% CO2/N2, dem flow reg, screwdriver, case & tubing	645.00
72-5337RK	81-5337RK	Cal kit, EAGLE, 58AL cyl H2S/CO/CH4/O2, dem flow reg, case & tubing	580.00
72-5339RK	81-5339RK	Cal kit, EAGLE, 58AL cyl 5 ppm HCl/N2, reg with gauge & knob, gas bag, screwdriver, case & tubing	725.00
72-5350RK	81-5350RK-DLV	Cal kit, EAGLE, 103L cyl 50% LEL Methane/Air, 58AL cyl SiH4/N2, 34AL cyl Cl2/N2, dem flow reg, case & tubing	1,185.00
72-5354RK	81-5354RKIB-DLV	Cal kit, EAGLE, 34AL cyl 25 ppm H2S/CO/50% LEL isobutane/O2/N2, dem flow reg, screwdriver, case & tubing	530.00
	81-5354RKIB-LV	Cal kit, EAGLE, 34AL cyl 25 ppm H2S/CO/50% LEL isobutane/O2/N2, reg with gauge & knob, gas bag, screwdriver, case & tubing	405.00
72-5355RK	81-5355RK	Cal kit, EAGLE, 58AL cyl 50 ppm H2S/50% LEL isobutane/N2, reg with gauge & knob, gas bag, screwdriver, case & tubing	470.00
	81-5355RK-LV	Cal kit, EAGLE, 34AL cyl 50 ppm H2S/50% LEL isobutane/N2, reg with gauge & knob, gas bag, screwdriver, case & tubing	410.00
	81-5355RK-NG	Cal kit, EAGLE, reg with gauge & knob, gas bag, screwdriver, case for 58AL / 103L cylinders & tubing (No Gas)	215.00
72-5371RK-05	81-5371RK05	Cal kit, EAGLE, 34AL cyl H2S/N2, 103L cyl 15% CO2/N2, dem flow reg, screwdriver, case & tubing	620.00
72-5384RK-03	81-5384RK03-DLV	Cal kit, EAGLE, 34L cyl 2.5% CO2/N2, 17L cyl CO/Isobutane/O2, dem flow reg, screwdriver, case & tubing	460.00
72-5394RK	81-5394RKH2-DLV	Cal kit, EAGLE, 103L cyl 50% LEL H2 in n2, 103L cyl 100 ppm CO in air, 34AL 5 ppm SO2 in n2, dem flow reg, screwdriver, case & tubing	860.00
72-5401RK	81-5401RK	Cal kit, EAGLE, 58AL cyl H2S (25 ppm)/CO/CH4/O2, dem flow reg, case & tubing	580.00
	81-5401RK-H	Cal kit, EAGLE, 58AL cyl H2S/CO/Hex/O2, dem flow reg, case & tubing	585.00
	81-5401RK-HLVD	Cal kit, EAGLE, 34AL cyl H2S/CO/Hex/O2, dem flow reg, case & tubing	630.00
	81-5401RK-LV	Cal kit, EAGLE, 34AL cyl H2S (25 ppm)/CO/CH4/O2, reg with gauge & knob, gas bag, case & tubing	395.00
	81-5401RK-P	Cal kit, EAGLE, 58AL cyl H2S/CO/32% LEL Pent/O2, dem flow reg, case & tubing	585.00
	81-5401RKD	Cal kit, EAGLE, 58AL cyl H2S (25 ppm)/CO/CH4/O2,reg with gauge & knob, cal cup, case & tubing	455.00
	81-5401RKIB-DLV	Cal kit, EAGLE, 34AL cyl 25 ppm H2S/CO/50% LEL isobutane/O2/N2, dem flow reg, case & tubing	525.00
	81-5401RKNL	Cal kit, EAGLE, reg with gauge & knob, gas bag, case for 58AL / 103L cylinders & tubing (No Gas)	340.00
81-5401RKNL-LV	Cal kit, EAGLE, reg with gauge & knob, gas bag, screwdriver, case for 17/34L cylinders & tubing (No Gas)	230.00	
72-5402RK	81-5402RK	Cal kit, EAGLE, 58AL cyl H2S (25 ppm)/CO/CH4/O2, 58AL cyl SO2/N2, dem flow reg, case & tubing	755.00
72-5403RK	81-5403RK	Cal kit, EAGLE, 58AL cyl SO2/CO/LEL/O2, dem flow reg, case & tubing	710.00
72-5404RK	81-5404RK	Cal kit, EAGLE, 58AL cyl H2S (25 ppm)/CO/CH4/O2, 58AL cyl Cl2/N2, dem flow reg, screwdriver, case & tubing	940.00
72-5405RK	81-5405RK	Cal kit, EAGLE, 103L cyl CO/CH4/O2, 58AL cyl Cl2/N2, dem flow reg, screwdriver, case & tubing	895.00
72-5406RK	81-5406RK	Cal kit, EAGLE, 103L cyl CO/LEL/O2, 58AL cyl NH3/N2, 58AL cyl Cl2/N2, dem flow reg, screwdriver, case & tubing	1,310.00
	81-5406RK-LV	Cal kit, EAGLE, 34L cyl CO/CH4/O2, 34AL cyl Cl2/N2, disp valve, reg with gauge & knob, case & tubing	785.00
72-5407RK	81-5407RK	Cal kit, EAGLE, 34L cyl CO/CH4/O2, 34AL cyl SO2/N2, 34AL cyl NO/Air, disp valve, reg with gauge & knob, case & tubing	1,135.00
72-5408RK	81-5408RK-LV	Cal kit, EAGLE, 34AL cyl NH3/N2, 34AL cyl PH3/N2, 34L cyl CO/CH4/O2, reg with gauge & knob, dispensing valve, gas bag, screwdriver, case & tubing	830.00
72-5410RK	81-5410RK	Cal kit, EAGLE, 58AL cyl H2S (25 ppm)/CO/CH4/O2, 58AL cyl NH3/N2, dem flow reg, screwdriver, case & tubing	940.00
	81-5410RK-LV	Cal kit, EAGLE, 34AL cyl H2S (25 ppm)/CO/CH4/O2, 34AL cyl NH3/N2, reg with gauge & knob, gas bag, screwdriver, case & tubing	630.00
72-5412RK	81-5412RK	Cal kit, EAGLE, 103L cyl CO/LEL/O2, 58AL cyl 25 ppm NH3/N2, dem flow reg, screwdriver, case & tubing	895.00
	81-5412RK-DLV	Cal kit, EAGLE, 103L cyl CO/LEL/O2, 34AL cyl 25 ppm NH3/N2, dem flow reg, screwdriver, case & tubing	770.00
	81-5412RKH	Cal kit, EAGLE, 103L cyl CO/Hex/O2, 58AL cyl 25 ppm NH3/N2, dem flow reg, screwdriver, case & tubing	960.00
72-5416RK-01	81-5416RK01	Cal kit, EAGLE, 103L cyl 2,000 ppm CO2/N2, 103L cyl CO/CH4/O2, dem flow reg, screwdriver, case & tubing	690.00
	81-5416RK01-DLV	Cal kit, EAGLE, 34L cyl 2,000 ppm CO2/N2, 34L cyl CO/CH4/O2, dem flow reg, screwdriver, case & tubing	470.00
72-5416RK-02	81-5416RK02	Cal kit, EAGLE, 103L cyl 5,000 ppm CO2/N2, 103L cyl CO/CH4/O2, dem flow reg, screwdriver, case & tubing	690.00
72-5416RK-03	81-5416RK03	Cal kit, EAGLE, 103L cyl 2.5% CO2/N2, 103L cyl CO/CH4/O2, dem flow reg, screwdriver, case & tubing	690.00
	81-5416RK03-DLV	Cal kit, EAGLE, 34L cyl 2.5% CO2/N2, 34L cyl CO/CH4/O2, dem flow, screwdriver, case & tubing	470.00
	81-5416RK03-LV	Cal kit, EAGLE, 34L cyl 2.5% CO2/N2, 34L cyl CO/CH4/O2, disp valve, gas bag, screwdriver, case & tubing	245.00

Portable Calibration Kits

Instrument #	Cal Kit #	Cal Kit Description	Kit Price
EAGLE			
72-5416RK-04	81-5416RK04-LV	Cal kit, EAGLE, 34L cyl 15% CO2/N2, 34L cyl CO/CH4/O2, disp valve, gas bag, screwdriver, case & tubing	245.00
72-5417RK	81-5417RK	Cal kit, EAGLE, 34L cyl CO/CH4/O2, 34AL cyl Cl2/N2, disp valve, reg with gauge & knob, gas bag, screwdriver, case & tubing	895.00
72-5421RK	81-5421RK	Cal kit, EAGLE, 34L cyl CO/CH4/O2, 34AL cyl Cl2/N2, disp valve, reg with gauge & knob, gas bag, screwdriver, case & tubing	1,045.00
72-5422RK	81-5422RK	Cal kit, EAGLE, 34L cyl CO/CH4/O2, 34AL cyl SO2/N2, 34AL cyl Cl2/N2, disp valve, reg with gauge & knob, screwdriver, case & tubing	900.00
72-5438RK	81-5438RK	Cal kit, EAGLE, 58L cyl 50% vol CH4/N2, 103L cyl CO/50% LEL CH4/O2/N2, dem flow reg, screwdriver, case & tubing	685.00
	81-5438RK-LV	Cal kit, EAGLE, 34L cyl 50% vol CH4/N2, 34L CO/CH4/O2/N2, disp valve, gas bag, screwdriver, case & tubing	240.00
72-5439RK-01	81-5439RK01	Cal kit, EAGLE, 103L cyl 2,000 ppm CO2/N2, 58AL cyl 25 ppm H2S/CO/CH4/O2/N2, dem flow reg, screwdriver, case & tubing	735.00
	81-5439RK01-H	Cal kit, EAGLE, 58AL cyl 25 ppm H2S/CO/15% LEL Hexane/O2/N2, 103L cyl 2,000 ppm CO2/N2, dem flow reg, screwdriver, case & tubing	740.00
72-5439RK-02	81-5439RK02-DLV	Cal kit, EAGLE, 34L cyl 5,000 ppm CO2/N2, 34AL cyl H2S/CO/CH4/O2, dem reg, screwdriver, case & tubing	660.00
	81-5439RK02-LV	Cal kit, EAGLE, 34L cyl 5,000 ppm CO2/N2, 34AL cyl H2S/CO/CH4/O2, disp valve, reg with gauge & knob, gas bag, screwdriver, case & tubing	480.00
72-5439RK-03	81-5439RK03-H	Cal kit, EAGLE, 103L cyl 2.5% CO2/N2, 58AL cyl H2S/CO/CH4/O2, dem flow reg, screwdriver, case & tubing	740.00
	81-5439RK03-HLV	Cal kit, EAGLE, 34L cyl 2.5% CO2/N2, 34AL cyl H2S/CO/CH4/O2, disp valve, reg with gauge & knob, gas bag, screwdriver, case & tubing	590.00
72-5439RK-04	81-5439RK04-HLV	Cal kit, EAGLE, 34L cyl 15% CO2/N2, 34AL cyl H2S/CO/Hex/O2, disp valve, reg with gauge & knob, gas bag, case & tubing	590.00
72-5439RK-05	81-5439RK05-DLV	Cal kit, EAGLE, 34L cyl 15% CO2/N2, 34AL cyl 25 ppm H2S/CO/CH4/O2/N2, dem flow reg, screwdriver, case & tubing	660.00
72-5440RK	81-5440RK	Cal kit, EAGLE, 103L cyl CO/LEL/O2, 58AL cyl PH3/N2, 58AL cyl HCl/N2, reg with gauge & knob, gas bag, screwdriver, case & tubing	1,340.00
	81-5440RKH	Cal kit, EAGLE, 103L cyl CO/15% LEL Hexane/O2/N2, 58AL cyl PH3/N2, 58AL cyl HCl/N2, reg with gauge & knob, gas bag, screwdriver, case & tubing	1,490.00
72-5441RK	81-5441RK	Cal kit, EAGLE, 58L cyl 50% vol CH4/N2, 103L cyl CO/CH4/O2, dem flow reg, screwdriver, case & tubing	685.00
72-5442RK	81-5442RK	Cal kit, EAGLE, 58L cyl 50% vol CH4/N2, 58AL cyl 25 ppm H2S/CO/50% LEL CH4/O2/N2, dem flow reg, screwdriver, case & tubing	730.00
72-5445RK	81-5445RK-LV	Cal kit, EAGLE, 34L cyl CO/N2, 34AL cyl NH3/N2, 34AL cyl Cl2/N2, disp valve, reg with gauge & knob, gas bag, screwdriver, case & tubing	785.00
72-5448RK-05	81-5448RK05H2	Cal kit, EAGLE, 103L cyl 50% LEL H2/N2, 103L cyl 15% CO2/N2, 34AL cyl NH3/N2, dem flow reg, screwdriver, case & tubing	950.00
72-5451RK	81-5401RK	Cal kit, EAGLE, 58AL cyl H2S (25 ppm)/CO/CH4/O2, dem flow reg, case & tubing	580.00
	81-5401RK-LV	Cal kit, EAGLE, 34AL cyl H2S (25 ppm)/CO/CH4/O2, reg with gauge & knob, gas bag, case & tubing	395.00
72-5464RK	81-5464RK-LV	Cal kit, EAGLE, 34L cyl CO/CH4/O2/N2, 34AL cyl 10 ppm NH3/N2, reg with gauge & knob, disp valve, gas bag, screwdriver, case & tubing	605.00
72-5468RK-03	81-5468RK03-LV	Cal kit, EAGLE, 34L cyl 2.5% CO2/N2, 34AL cyl 25 ppm H2S/CO/CH4/O2/N2, reg with gauge & knob, disp valve, gas bag, screwdriver, case & tubing	480.00
72-5473RK	81-5473RK-LV	Cal kit, EAGLE, 34L cyl CO/CH4/O2, 34AL cyl Cl2/N2, 34L cyl 100% N2, reg with gauge & knob, disp valve, gas bag, screwdriver, case & tubing	770.00
72-5474RK	81-5474RK20	Cal kit, EAGLE, 58L cyl 50% vol CH4/N2, 103L cyl 5,000 ppm CO2/N2, 103L cyl CO/50% LEL CH4/O2/N2, dem flow reg, screwdriver, case & tubing	905.00
72-5474RK-04	81-5474RK04	Cal kit, EAGLE, 58L cyl 50% vol CH4/N2, 103L cyl 5,000 ppm CO2/N2, 103L cyl CO/50% LEL CH4/O2/N2, dem flow reg, screwdriver, case & tubing	905.00
72-5488RK	81-5488RKH-LV	Cal kit, EAGLE, 34L cyl CO/Hex/O2, 34AL cyl PH3/N2, 34AL cyl HCN/N2, reg with gauge & knob, disp valve, gas bag, screwdriver, case & tubing	840.00
72-5501RK	81-5501RK	Cal kit, EAGLE, 58AL cyl H2S/CO/CH4/O2, 58AL cyl SO2/N2, dem flow reg, screwdriver, case & tubing	755.00
	81-5501RK-DLV	Cal kit, EAGLE, 34AL cyl H2S/CO/CH4/O2, 34AL cyl SO2/N2, dem flow reg, screwdriver, case & tubing	660.00
	81-5501RK-H	Cal kit, EAGLE, 58AL cyl H2S/CO/Hex/O2, 58AL cyl SO2/N2, dem flow reg, case & tubing	760.00
72-5502RK	81-5502RK	Cal kit, EAGLE, 103L cyl 10% LEL Hex/Air, 58AL cyl H2S/CO/CH4/O2, 58AL cyl Cl2/N2, dem flow reg, screwdriver, case & tubing	940.00
72-5503RK	81-5503RK	Cal kit, EAGLE, 58AL cyl H2S/CO/CH4/O2, 58AL cyl NH3/N2, dem flow reg, screwdriver, case & tubing	940.00
	81-5503RK-DLV	Cal kit, EAGLE, 34AL cyl 25 ppm H2S/CO/CH4/O2, 34AL cyl NH3/N2, dem flow reg, screwdriver, case & tubing	750.00
72-5504RK-01	81-5504RK01	Cal kit, EAGLE, 103L cyl 2,000 ppm CO2/N2, 58AL cyl 25 ppm H2S/CO/CH4/O2, dem flow reg, screwdriver, case & tubing	735.00
	81-5504RK01-HLV	Cal kit, EAGLE, 34L cyl 2,000 ppm CO2/N2, 34AL cyl H2S/CO/Hex/O2, reg with gauge & knob, disp valve, gas bag, screwdriver, case & tubing	590.00
72-5504RK-02	81-5504RK02	Cal kit, EAGLE, 103L cyl 5,000 ppm CO2/N2, 58AL cyl 25 ppm H2S/CO/CH4/O2, dem flow reg, screwdriver, case & tubing	735.00
72-5504RK-03	81-5504RK03	Cal kit, EAGLE, 103L cyl 2.5% CO2/N2, 58AL cyl 25 ppm H2S/CO/CH4/O2, dem flow reg, screwdriver, case & tubing	735.00
	81-5504RK03-DLV	Cal kit, EAGLE, 103L cyl 2.5% CO2/N2, 34AL cyl H2S/CO/CH4/O2, dem flow reg, screwdriver, case & tubing	660.00
	81-5504RK03-LV	Cal kit, EAGLE, 34L cyl 2.5% CO2/N2, 34AL cyl H2S/CO/CH4/O2, reg with gauge & knob, disp valve, gas bag, screwdriver, case & tubing	480.00
72-5504RK-04	81-5504RK04-LV	Cal kit, EAGLE, 34L cyl 15% CO2/N2, 34AL cyl H2S/CO/CH4/O2, reg with gauge & knob, disp valve, gas bag, screwdriver, case & tubing	480.00
72-5504RK-05	81-5504RK05	Cal kit, EAGLE, 103L cyl 15% CO2/N2, 58AL cyl 25 ppm H2S/CO/CH4/O2, dem flow reg, screwdriver, case & tubing	735.00
72-5505RK	81-5505RK	Cal kit, EAGLE, 103L cyl CO/CH4/O2, 58AL cyl SO2/N2, 58AL cyl Cl2/N2, dem flow reg, screwdriver, case & tubing	1,130.00
72-5506RK	81-5506RK	Cal kit, EAGLE, 103L cyl CO/CH4/O2, 58AL cyl NH3/N2, 58AL cyl Cl2/N2, dem flow reg, screwdriver, case & tubing	1,310.00
72-5508RK	81-5508RKH-LV	Cal kit, EAGLE, 34AL cyl H2S/CO/Hex/O2, 34AL cyl HCl/N2, reg with gauge & knob, screwdriver, case & tubing	780.00
72-5510RK	81-5510RK-LV	Cal kit, EAGLE, 34L cyl CO/CH4/O2, 34AL cyl SO2/N2, 34AL cyl NO/N2, disp valve, reg with gauge & knob, gas bag, screwdriver, case & tubing	690.00
72-5520RK-03	81-5520RK03	Cal kit, EAGLE, 103L cyl 2.5% CO2/N2, 103L cyl CO/CH4/O2, 58AL cyl NH3/N2, dem flow reg, case & tubing	1,115.00
72-5525RK	81-5525RK	Cal kit, EAGLE, 58AL cyl H2S/CO/CH4/O2, 58AL cyl Cl2/N2, dem flow reg, screwdriver, case & tubing	940.00
72-5526RK	81-5526RK-LV	Cal kit, EAGLE, 34AL cyl H2S/CO/CH4/O2, 34AL cyl NH3/N2, 34AL cyl Cl2/N2, reg with gauge & knob, gas bag, screwdriver, case & tubing	865.00

Portable Calibration Kits

Instrument #	Cal Kit #	Cal Kit Description	Kit Price
EAGLE			
72-5529RK	81-5529RK-DLV	Cal kit, EAGLE, 34AL cyl 25 ppm H2S/CO/CH4/O2/N2, 34AL cyl 2 ppm Chlorine/N2, dem flow reg, screwdriver, case & tubing	770.00
72-5549RK	81-5549RK	Cal kit, EAGLE, 103L cyl 50% LEL Hydrogen/Air, 103L cyl 100% N2, 58AL cyl H2S/CO/CH4/O2, 58AL cyl 2 ppm Chlorine/N2, dem flow reg, screwdriver, case & tubing	1,120.00
72-5550RK	81-5550RK-HLV	Cal kit, EAGLE, 34L cyl CO/CH4/O2/N2, 34AL cyl 2 ppm Chlorine/N2, 34AL cyl 0.5 ppm Phosphine/N2, dem flow reg, screwdriver, case & tubing	840.00
72-5601RK	81-5601RK	Cal kit, EAGLE, 58AL cyl H2S/CO/CH4/O2, 58AL cyl NH3/N2, 58AL cyl Cl2/N2, dem flow reg, screwdriver, case & tubing	1,345.00
	81-5601RK-DLV	Cal kit, EAGLE, 34AL cyl H2S/CO/CH4/O2, 34AL cyl 10 ppm Ammonia/N2, 34AL cyl 2 ppm Chlorine/N2, dem flow reg, screwdriver, case & tubing	990.00
	81-5601RK-LV	Cal kit, EAGLE, 34AL cyl H2S/CO/CH4/O2, 34AL cyl NH3/N2, 34AL cyl Cl2/N2, reg with gauge & knob, gas bag, screwdriver, case & tubing	865.00
72-5606RK	81-5606RK-LV	Cal kit, EAGLE, 34AL cyl H2S/CO/CH4, 34AL cyl PH3/N2, 34AL cyl HCl/N2, reg with gauge & knob, gas bag, screwdriver, case & tubing	950.00
72-5608RK-02	81-5608RK02	Cal kit, EAGLE, 103L cyl 5,000 ppm CO2/N2, 58AL cyl H2S/CO/CH4/O2, 58AL cyl NH3/N2, dem flow reg, screwdriver, case & tubing	1,160.00
	81-5608RK02-LV	Cal kit, EAGLE, 34L cyl 5,000 ppm CO2/N2, 34AL cyl H2S/CO/CH4/O2, disp valve, reg with gauge & knob, gas bag, screwdriver, case & tubing	715.00
72-5608RK-03	81-5608RK03-DLV	Cal kit, EAGLE, 103L cyl 2.5% CO2/N2, 34AL cyl H2S/CO/CH4/O2, 34AL cyl NH3/N2, dem flow reg, screwdriver, case & tubing	960.00
72-5609RK	81-5609RK01	Cal kit, EAGLE, 103L cyl 2,000 ppm CO2/N2, 58AL cyl H2S/CO/CH4/O2, 58AL cyl NO2/Air, dem flow reg, screwdriver, case & tubing	1,160.00
72-5612RK-03	81-5612RK03-LV	Cal kit, EAGLE, 34AL cyl 25 ppm H2S/CO/CH4/O2, 34AL cyl Cl2/N2, 34L cyl CO2/N2, reg with gauge & knob, disp valve, gas bag, screwdriver, case & tubing	720.00
72-5616RK-03	81-5616RK03-LV	Cal kit, EAGLE, 34L cyl 2.5% CO2/N2, 34AL cyl 25 ppm H2S/CO/CH4/O2/N2, 34AL SO2/N2, reg with gauge & knob, disp valve, gas bag, screwdriver, case & tubing	615.00
GX-6000			
72-6AAX	81-6AAX-DLV	Cal Kit, GX-6000, 34AL cyl 10 ppm isobutylene in air, 34AL cyl H2S/CO/CH4/O2, dem flow reg, case & tubing	655.00
72-6ABI	81-6ABI-DLV	Cal Kit, GX-6000, 34AL cyl 100 ppm Isobutylene/H2S/CO/CH4/O2, 34AL cyl 5 ppm SO2 in N2, dem flow reg, case, tubing	710.00
72-6ABK	81-6ABK-DLV	Cal Kit, GX-6000, 34AL cyl 100 ppm Isobutylene/H2S/CO/CH4/O2, 34AL cyl 10 ppm NO2 in N2, dem flow reg, case, tubing	805.00
72-6ABL	81-6ABL-DLV	Cal Kit, GX-6000, 34AL cyl 100 ppm Isobutylene/H2S/CO/CH4/O2, 34AL cyl 10 ppm HCN in N2, dem flow reg, case, tubing	575.00
72-6ABX	81-6ABX	Cal Kit, GX-6000, 58AL cyl 100 ppm Isobutylene/H2S/CO/CH4/O2, dem flow reg, case, tubing	640.00
	81-6ABX-DLV	Cal Kit, GX-6000, 34AL cyl 100 ppm Isobutylene/H2S/CO/CH4/O2, dem flow reg, case, tubing	575.00
72-6AXX	81-6AXX	Cal kit, GX-6000, 58AL cyl CH4/O2/H2S/CO, dem flow reg, case and tubing	580.00
	81-6AXX-DLV	Cal kit, GX-6000, 34AL cyl CH4/O2/H2S/CO, dem flow reg, case and tubing	520.00
72-6XAX	81-6XAX-DLV	Cal Kit, GX-6000, 34AL cyl 10 ppm isobutylene in air, dem flow reg, case & tubing	490.00
72-6XBX	81-6XBX-DLV	Cal Kit, GX-6000, 34AL cyl 100 ppm isobutylene in air, dem flow reg, case & tubing	520.00
72-7525RK	81-GX86AHSCO	Cal kit, GX-86A, 58AL cyl H2S (25 ppm)/CO/CH4/O2, reg with gauge & knob, cal cup, case & tubing	470.00
	81-GX86AHSCO-LV	Cal kit, GX-86A, 34AL cyl H2S (25 ppm)/CO/CH4/O2, reg with gauge & knob, cal cup, case & tubing	415.00
EAGLE 2			
721-002	81-5102RK-DLV	Cal kit, EAGLE/EAGLE 2, 34L cyl 100% Nitrogen, dem flow reg, case & tubing	410.00
721-006	81-5106RK-DLV	Cal kit, EAGLE, 34AL cyl 2 ppm Chlorine/N2, dem reg, screwdriver, case & tubing	605.00
721-021	811-021-DLV	Cal kit, EAGLE 2, 17L cyl 10% vol isobutane/N2, dem flow reg, case & tubing	415.00
721-101-20	811-101-20DLV	Cal kit, EAGLE 2, 34L cyl 100% hydrogen, dem flow reg, case & tubing	415.00
721-101-P1	811-101-P1	Cal kit, EAGLE 2, 103L cyl 10 ppm isobutylene in air, dem flow reg, case & tubing	495.00
	811-101-P1-DLV	Cal kit, EAGLE 2, 34L cyl 10 ppm isobutylene in air, dem flow reg, case & tubing	490.00
721-101-P2	811-101-P2	Cal kit, EAGLE 2, 103L cyl 100 ppm isobutylene in air, dem flow reg, case & tubing	495.00
	811-101-P2-DLV	Cal kit, EAGLE 2, 34L cyl 100 ppm isobutylene in air, dem flow reg, case & tubing	410.00
722-001	81-5201RK	Cal kit, EAGLE, 103L cyl CH4/CO/O2, dem flow reg, case & tubing	535.00
	81-5201RK-LV	Cal kit, EAGLE, 34L cyl CH4/CO/O2, disp valve, gas bag, case & tubing	185.00
722-002	81-5202RK	Cal kit, EAGLE, 103 L cyl CH4/CO/O2, dem flow reg, case & tubing	535.00
	81-5202RK-LV	Cal kit, EAGLE, 34L cyl CH4/CO/O2, disp valve, gas bag, case & tubing	185.00
722-003	81-5203RK	Cal kit, EAGLE, 58AL cyl H2S (25 ppm)/CO/CH4/O2, dem flow reg, case & tubing	580.00
	81-5203RK-LV	Cal kit, EAGLE, 34AL cyl H2S (25 ppm)/CO/CH4/O2, reg with gauge & knob, gas bag, case & tubing	395.00
722-045	812-045-DLV	Cal kit, EAGLE 2, 34L cyl 100% vol CH4, dem flow reg, case & tubing	500.00
722-059	81-5259RK-LV	Cal kit, EAGLE, 34AL cyl NH3/N2, reg with gauge & knob, gas bag, screwdriver, case & tubing	465.00
722-101-P1	812-101-P1-HDLV	Cal kit, EAGLE 2, 34L cyl 10% LEL Hex/Air, 34L cyl 10 ppm isobutylene/air, dem flow reg, case & tubing	630.00
722-101-P2	812-101-P2	Cal kit, EAGLE 2, 103L cyl 50% LEL CH4/Air, 103L cyl 100 ppm isobutylene in air, dem flow reg, case & tubing	650.00
	812-101-P2-DLV	Cal kit, EAGLE 2, 34L cyl 50% LEL CH4/Air, 34L cyl 10 ppm isobutylene in air, dem flow reg, case & tubing	465.00
722-102-20	812-102-20-DLV	Cal kit, EAGLE 2, 34L cyl 100% H2, dem flow reg, case & tubing	410.00
723-001	81-5301RK	Cal kit, EAGLE, 58AL cyl H2S/CO/CH4/O2, dem flow reg, case & tubing	580.00
	81-5301RK-LV	Cal kit, EAGLE, 34AL cyl H2S/CO/CH4/O2, reg with gauge & knob, gas bag, case & tubing	395.00

Portable Calibration Kits

Instrument #	Cal Kit #	Cal Kit Description	Kit Price
EAGLE 2			
723-002	81-5302RK	Cal kit, EAGLE, 103L cyl CO/CH4/O2, dem flow reg, case & tubing	535.00
	81-5302RK-LV	Cal kit, EAGLE, 34L cyl CO/CH4/O2, disp valve, gas bag, case & tubing	185.00
723-026-02	813-026-02-DLV	Cal kit, EAGLE 2, 34L cyl 5000 ppm CO/N2, 34L cyl CO/CH4/O2, dem flow reg, case & tubing	465.00
723-101-P1	813-101-P1-DLV	Cal kit, EAGLE 2, 34L cyl 50 ppm CO/50% LEL CH4/12% O2/N2, 34L cyl 10 ppm isobutylene in air, dem flow reg, case & tubing	465.00
723-101-P2	813-101-P2	Cal kit, EAGLE 2, 103L cyl 50 ppm CO/50% LEL CH4/12% O2/N2, 103L cyl 100 ppm isobutylene in air, dem flow reg, case & tubing	690.00
	813-101-P2-DLV	Cal kit, EAGLE 2, 34L cyl 50 ppm CO/50% LEL CH4/12% O2/N2, 34L cyl 100 ppm isobutylene in air, dem flow reg, case & tubing	465.00
	813-101-P2-HDLV	Cal kit, EAGLE 2, 34L cyl 50 ppm CO/50% LEL Hex/12% O2/N2, 34L cyl 100 ppm isobutylene in air, dem flow reg, case & tubing	465.00
723-106-10	813-106-10-DLV	Cal kit, EAGLE 2, 34L 4% vol H2/N2, 34L CO/CH4/O2, dem flow reg, case & tubing	470.00
723-113	813-113-LV	Cal kit, EAGLE 2, 34L cyl 2.5% CO2/N2, 34AL cyl 25 ppm NH3/N2, 34AL cyl Cl2/N2, dispensing valve, reg, gas bag, case & tubing	780.00
723-114-25	813-114-25-DLV	Cal kit, EAGLE 2, 34L cyl 100% H2, 34L cyl 15% CO2/N2, dem flow reg, case & tubing	470.00
724-001	81-5401RK	Cal kit, EAGLE, 58AL cyl H2S (25 ppm)/CO/CH4/O2, dem flow reg, case & tubing	580.00
	81-5401RK-LV	Cal kit, EAGLE, 34AL cyl H2S (25 ppm)/CO/CH4/O2, reg with gauge & knob, gas bag, case & tubing	395.00
724-039-03	81-5439RK03-DLV	Cal kit, EAGLE, 34L cyl 2.5% vol CO2/N2, 34AL cyl H2S/CO/CH4/O2, dem reg, screwdriver, case & tubing	660.00
724-074-03	814-074-03-DLV	Cal kit, EAGLE 2, 34L cyl CO/CH4/O2, 34L cyl 2.5% CO2/N2, 34L cyl 50% vol CH4/N2, dem flow reg, case & tubing	520.00
724-074-05	814-074-05-DLV	Cal kit, EAGLE 2, 34L cyl CO/CH4/O2, 34L cyl 15% CO2/N2, 34L cyl 50% vol CH4/N2, dem flow reg, case & tubing	520.00
724-101-P1	814-101-P1	Cal kit, EAGLE 2, 58AL cyl H2S/CO/CH4/O2, 103L cyl 10 ppm isobutylene in air, dem flow reg, case & tubing	725.00
	814-101-P1-DLV	Cal kit, EAGLE 2, 34AL cyl H2S/CO/CH4/O2, 34AL cyl 10 ppm isobutylene in air, dem flow reg, case & tubing	630.00
724-101-P2	814-101-P2S	Cal kit, EAGLE 2, 58AL cyl 100 ppm isobutylene/25 ppm H2S/50 ppm CO/50% LEL CH4/12% O2/N2, dem flow reg, case & tubing	615.00
	814-101-P2S-DLV	Cal kit, EAGLE 2, 34AL cyl 100 ppm isobutylene/25 ppm H2S/50 ppm CO/50% LEL CH4/12% O2/N2, dem flow reg, case & tubing	555.00
724-103-25	814-103-25-DLV	Cal kit, EAGLE 2, 34L cyl 50% LEL H2/N2, 34L cyl 100% H2, 34L cyl 15% vol CO2/N2, dem flow reg, case & tubing	525.00
724-114-P2	814-114-P2-DLV	Cal kit, EAGLE 2, 103L cyl 50% LEL CH4/Air, 34AL cyl 100 ppm isobutylene in air, 34AL cyl 25 ppm NH3/N2, dem flow reg, case & tubing	1,200.00
	814-114-P2-HDLV	Cal kit, EAGLE 2, 103L cyl 10% LEL Hex/Air, 34AL cyl 100 ppm isobutylene/Air, 34AL cyl 10 ppm NH3/N2, 34AL cyl 2 ppm Cl2/N2, dem flow reg, case & tubing	1,200.00
725-001	815-001-DLV	Cal kit, EAGLE 2, 34AL cyl SO2/H2S/CO/CH4/O2, dem flow reg, case & tubing	525.00
725-101-P1	815-101-P1-DLV	Cal kit, EAGLE 2, 34AL cyl H2S/CO/CH4/O2, 34AL cyl 10 ppm isobutylene in air, dem flow reg, case & tubing	655.00
725-101-P2	815-101-P2	Cal kit, EAGLE 2, 58AL cyl H2S/CO/CH4/O2, 103L cyl 100 ppm isobutylene in air, dem flow reg, case & tubing	735.00
	815-101-P2-DLV	Cal kit, EAGLE 2, 34AL cyl H2S/CO/CH4/O2, 34AL cyl 100 ppm isobutylene in air, dem flow reg, case & tubing	685.00
	815-101-P2-HDLV	Cal kit, EAGLE 2, 34AL cyl H2S/CO/Hex/O2, 34AL cyl 100 ppm isobutylene in air, dem flow reg, case & tubing	795.00
	815-101-P2-LV	Cal kit, EAGLE 2, 34AL cyl H2S/CO/CH4/O2, 34AL cyl 100 ppm isobutylene in air, reg with gauge & knob, gas bag, case & tubing	560.00
725-106-05	815-106-05-DLV	Cal kit, EAGLE 2, 34AL cyl H2S/CO/CH4/O2, 34L cyl 15% CO2/N2, dem flow reg, case & tubing	660.00
726-102-P2	816-102-P2S-DLV	Cal kit, EAGLE 2, 34AL cyl 100 ppm isobutylene/H2S/CO/CH4/O2/N2, 34AL cyl 25 ppm NH3/N2, dem flow reg, case & tubing	810.00
726-106-03-P2	816-106-03P2DLV	Cal kit, EAGLE 2, 34AL cyl H2S/CO/CH4/O2, 34AL cyl 100 ppm isobutylene/N2, 103L, 2.5% CO2/N2, dem flow reg, case & tubing	885.00
726-106-05-P2	816-106-05P2DLV	Cal kit, EAGLE 2, 34AL cyl H2S/CO/CH4/O2, 34AL cyl 100 ppm isobutylene/N2, 103L, 15% CO2/N2, dem flow reg, case & tubing	885.00
726-109-P2	816-109-P2-DLV	Cal kit, EAGLE 2, 34AL cyl H2S/CO/CH4/O2, 34AL cyl 5 ppm SO2/N2, 34AL, 10 ppm NH3/N2, 34AL 100 ppm isobutylene/air, dem flow reg, two cases & tubing	1,060.00
726-111-30-P2	816-111-30P2DLV	Cal kit, EAGLE 2, 58L 100% vol CH4, 34AL cyl 100 ppm isobutylene/Air, 34AL cyl H2S/CO/CH4/O2/N2, dem flow reg, case & tubing	825.00
726-115-05	816-115-02	Cal kit, EAGLE 2, 34AL cyl H2S/CO/CH4/O2, 103L cyl 50% CH4/N2, 103L, 5000 CO2/N2, dem flow reg, case & tubing	990.00
726-124-P2	816-124-P2	Cal kit, EAGLE 2, 103L cyl CO/CH4/O2/N2, 34AL cyl 100 ppm isobutylene/Air, 34AL cyl 25 ppm NH3/N2, 34AL cyl PH3/N2, dem flow reg, case & tubing	1,380.00
SC-01			
73-0050RK-ASH3	81-SC01ASH3	Cal kit, SC-01, 58AL cyl 0.5 ppm PH3/N2, reg with gauge & knob, cal cup, case & tubing	650.00
	81-SC01ASH3-LV	Cal kit, SC-01, 34AL cyl 0.5 ppm PH3/N2, reg with gauge & knob, cal cup, case & tubing	570.00
73-0050RK-CL2	81-SC01CL2	Cal kit, SC-01, 58AL cyl 2 ppm Cl2/N2, reg with gauge & knob, cal cup, case & tubing	620.00
	81-SC01CL2-LV	Cal kit, SC-01, 34AL cyl 2 ppm Cl2/N2, reg with gauge & knob, cal cup, case & tubing	525.00
73-0050RK-CO	81-SC01CO	Cal kit, SC-01, 103L cyl 50 ppm CO/N2, reg with gauge & knob, cal cup, case & tubing	415.00
	81-SC01CO-LV	Cal kit, SC-01, 34L cyl 50 ppm CO/N2, reg with gauge & knob, cal cup, case & tubing	420.00
73-0050RK-H2S	81-SC01H2S	Cal kit, SC-01, 58AL cyl 25 ppm H2S/N2, reg with gauge & knob, cal cup, case & tubing	440.00
	81-SC01H2S-LV	Cal kit, SC-01, 34AL cyl 25 ppm H2S/N2, reg with gauge & knob, cal cup, case & tubing	405.00
73-0050RK-HCN	81-SC01HCN	Cal kit, SC-01, 58AL cyl 10 ppm HCN/N2, reg with gauge & knob, cal cup, case & tubing	620.00
	81-SC01HCN-LV	Cal kit, SC-01, 34AL cyl 10 ppm HCN/N2, reg with gauge & knob, cal cup, case & tubing	525.00
73-0050RK-NH3	81-SC01NH3	Cal kit, SC-01, 58AL cyl 10 ppm NH3/N2, reg with gauge & knob, cal cup, case & tubing	620.00
	81-SC01NH3-LV	Cal kit, SC-01, 34AL cyl 10 ppm NH3/N2, reg with gauge & knob, cal cup, case & tubing	515.00
73-0050RK-PH3	81-SC01PH3-LV	Cal kit, SC-01, 34AL cyl 0.5 ppm PH3/N2, reg with gauge & knob, cal cup, case & tubing	570.00

Portable Calibration Kits

Instrument #	Cal Kit #	Cal Kit Description	Kit Price
SC-01			
73-0050RK-SO2	81-SC01SO2	Cal kit, SC-01, 58AL cyl 5 ppm SO2/N2, reg with gauge & knob, cal cup, case & tubing	445.00
	81-SC01SO2-LV	Cal kit, SC-01, 34AL cyl 5 ppm SO2/N2, reg with gauge & knob, cal cup, case & tubing	415.00
73-0051RK-ASH3	81-SC01ASH3	Cal kit, SC-01, 58AL cyl 0.5 ppm PH3/N2, reg with gauge & knob, cal cup, case & tubing	650.00
	81-SC01ASH3-LV	Cal kit, SC-01, 34AL cyl 0.5 ppm PH3/N2, reg with gauge & knob, cal cup, case & tubing	570.00
73-0051RK-CL2	81-SC01CL2	Cal kit, SC-01, 58AL cyl 2 ppm Cl2/N2, reg with gauge & knob, cal cup, case & tubing	620.00
	81-SC01CL2-LV	Cal kit, SC-01, 34AL cyl 2 ppm Cl2/N2, reg with gauge & knob, cal cup, case & tubing	525.00
73-0051RK-CO	81-SC01CO	Cal kit, SC-01, 103L cyl 50 ppm CO/N2, reg with gauge & knob, cal cup, case & tubing	415.00
73-0051RK-HCN	81-SC01HCN	Cal kit, SC-01, 58AL cyl 10 ppm HCN/N2, reg with gauge & knob, cal cup, case & tubing	620.00
	81-SC01HCN-LV	Cal kit, SC-01, 34AL cyl 10 ppm HCN/N2, reg with gauge & knob, cal cup, case & tubing	525.00
73-0051RK-NH3	81-SC01NH3	Cal kit, SC-01, 58AL cyl 10 ppm NH3/N2, reg with gauge & knob, cal cup, case & tubing	620.00
	81-SC01NH3-LV	Cal kit, SC-01, 34AL cyl 10 ppm NH3/N2, reg with gauge & knob, cal cup, case & tubing	515.00
73-0051RK-PH3	81-SC01PH3-LV	Cal kit, SC-01, 34AL cyl 0.5 ppm PH3/N2, reg with gauge & knob, cal cup, case & tubing	570.00
73-0051RK-SO2	81-SC01SO2	Cal kit, SC-01, 58AL cyl 5 ppm SO2/N2, reg with gauge & knob, cal cup, case & tubing	445.00
	81-SC01SO2-LV	Cal kit, SC-01, 34AL cyl 5 ppm SO2/N2, reg with gauge & knob, cal cup, case & tubing	415.00
SC-8000			
73-0052-ASH3	81-5107RKS-LV	Cal kit, EAGLE, 34AL cyl PH3/N2, 34L cyl N2 100%, reg, gas bag, screwdriver, case & tubing	705.00
73-0052-CL2	81-5106RK-DLV	Cal kit, EAGLE, 34AL cyl 2 ppm Chlorine/N2, dem reg, screwdriver, case & tubing	605.00
73-0052-CO	81-5104RK-LV	Cal kit, EAGLE, 34L cyl 50 ppm Carbon Monoxide/Air, disp valve, gas bag, case & tubing	185.00
73-0052-F2	81-5106RK-DLV	Cal kit, EAGLE, 34AL cyl 2 ppm Chlorine/N2, dem reg, screwdriver, case & tubing	605.00
73-0052-HBR	81-5106RK-DLV	Cal kit, EAGLE, 34AL cyl 2 ppm Chlorine/N2, dem reg, screwdriver, case & tubing	605.00
73-0052-HCL	81-5110RK	Cal kit, EAGLE, 58AL cyl 5 ppm Hydrogen Chloride/N2, reg, gas bag, screwdriver, case & tubing	570.00
73-0052-HCN	81-5123RK-DLV	Cal kit, EAGLE, 34AL cyl 10 ppm Hydrogen Cyanide/N2, dem reg, screwdriver, case & tubing	605.00
73-0052-HF	81-5106RK-DLV	Cal kit, EAGLE, 34AL cyl 2 ppm Chlorine/N2, dem reg, screwdriver, case & tubing	605.00
73-0052-NH3	81-5111RK-DLV	Cal kit, EAGLE, 34AL cyl 10 ppm Ammonia/N2, dem reg, screwdriver, case & tubing	570.00
73-0052-NO2	81-5114RK-LV	Cal kit, EAGLE, 34AL cyl 10 ppm Nitrogen Dioxide/Air, reg with gauge & knob, screwdriver, case & tubing	470.00
73-0052-PH3	81-5108RK-DLV	Cal kit, EAGLE, 34AL cyl 0.5 ppm Phosphine/N2, dem reg, screwdriver, case & tubing	645.00
73-0052-SO2	81-5105RK-LV	Cal kit, EAGLE, 34AL cyl 2 ppm SO2/N2, reg, gas bag, screwdriver, case & tubing	370.00
73-00523-CO	81-5104RK-LV	Cal kit, EAGLE, 34L cyl 50 ppm Carbon Monoxide/Air, disp valve, gas bag, case & tubing	185.00
73-0053-ASH3	81-5107RKS-LV	Cal kit, EAGLE, 34AL cyl PH3/N2, 34L cyl N2 100%, reg, gas bag, screwdriver, case & tubing	705.00
73-0053-CL2	81-5106RK-DLV	Cal kit, EAGLE, 34AL cyl 2 ppm Chlorine/N2, dem reg, screwdriver, case & tubing	605.00
73-0053-F2	81-5106RK-DLV	Cal kit, EAGLE, 34AL cyl 2 ppm Chlorine/N2, dem reg, screwdriver, case & tubing	605.00
73-0053-HBR	81-5106RK-DLV	Cal kit, EAGLE, 34AL cyl 2 ppm Chlorine/N2, dem reg, screwdriver, case & tubing	605.00
73-0053-HCL	81-5110RK	Cal kit, EAGLE, 58AL cyl 5 ppm Hydrogen Chloride/N2, reg, gas bag, screwdriver, case & tubing	570.00
73-0053-HCN	81-5123RK-DLV	Cal kit, EAGLE, 34AL cyl 10 ppm Hydrogen Cyanide/N2, dem reg, screwdriver, case & tubing	605.00
73-0053-HF	81-5106RK-DLV	Cal kit, EAGLE, 34AL cyl 2 ppm Chlorine/N2, dem reg, screwdriver, case & tubing	605.00
73-0053-NH3	81-5111RK-DLV	Cal kit, EAGLE, 34AL cyl 10 ppm Ammonia/N2, dem reg, screwdriver, case & tubing	570.00
73-0053-NO2	81-5114RK-LV	Cal kit, EAGLE, 34AL cyl 10 ppm Nitrogen Dioxide/Air, reg with gauge & knob, screwdriver, case & tubing	470.00
73-0053-PH3	81-5108RK-DLV	Cal kit, EAGLE, 34AL cyl 0.5 ppm Phosphine/N2, dem reg, screwdriver, case & tubing	645.00
73-0053-SO2	81-5105RK-LV	Cal kit, EAGLE, 34AL cyl 2 ppm SO2/N2, reg, gas bag, screwdriver, case & tubing	370.00
RI-413 RI-85 RX-415 RX-515 RX-516 RX-517			
73-0569RK	81-RI413R12	Cal kit, RI-413, 17L cyl 2,000 ppm R-12/Air, disp valve, gas bag, screwdriver, case & tubing	210.00
	81-RI413R134	Cal kit, RI-413, 34L cyl 2,000 ppm R-134A/Air, disp valve, gas bag, screwdriver, case & tubing	240.00
73-0569RK-03	81-RI413R134	Cal kit, RI-413, 34L cyl 2,000 ppm R-134A/Air, disp valve, gas bag, screwdriver, case & tubing	240.00
73-0570RK	81-RI85	Cal kit, RI-85, 34L cyl 5,000 ppm CO2/N2, 34L cyl 100% N2, disp valve, gas bag, case & tubing	240.00
	81-RI85NG-LV	Cal kit, RI-85, no gas, fits two 34AL cylinders, dispensing valve, gas bag, case & tubing	130.00
73-0570RK-05	81-RI85-05	Cal kit, RI-85, 34L cyl 2.5% CO2/N2, 34L cyl 100% N2, disp valve, gas bag, case & tubing	240.00
73-0580RK	81-RI415CH4	Cal kit, RI-415/RX-8000, 34L cyl 50% LEL CH4/Air, 34L cyl 50% vol CH4/Air, disp valve, gas bag, two gas bags, case & tubing	305.00
73-0581RK	81-RI415HC	Cal kit, RI-415/RX-8000, 34L cyl 50% LEL isobutane/Air, 17L cyl 10% vol isobutane/N2, disp valve, two gas bags, case & tubing	310.00
73-0582RK	81-RI415CH4	Cal kit, RI-415/RX-8000, 34L cyl 50% LEL CH4/Air, 34L cyl 50% vol CH4/Air, disp valve, gas bag, two gas bags, case & tubing	305.00
73-0583RK	81-RI415HC	Cal kit, RI-415/RX-8000, 34L cyl 50% LEL isobutane/Air, 17L cyl 10% vol isobutane/N2, disp valve, two gas bags, case & tubing	310.00

Portable Calibration Kits

Instrument #	Cal Kit #	Cal Kit Description	Kit Price
RI-413 RI-85 RX-415 RX-515 RX-516 RX-517			
73-0590RK	81-RX415HC	Cal kit, RX-415/RX-8000, 34L cyl 50% LEL isobutane/Air, 17L cyl 10% vol isobutane/Air, 34L cyl 100% N2, disp valve, three gas bags, case & tubing	390.00
	81-RX415HCD	Cal kit, RX-415/RX-8000, 34L cyl 50% LEL isobutane/Air, 34L cyl 10% vol isobutane/Air, 34L cyl 100% N2, dem flow reg, case & tubing	525.00
	81-RX415HCNG	Cal kit, RX-415, disp valve, 3 gas bags, screwdriver, case & tubing (gas not included)	225.00
73-0591RK	81-RX415CH4	Cal kit, RX-415/RX-8000, 34L cyl 50% LEL CH4/Air, 34L cyl 50% vol CH4/Air, 34L cyl 100% N2, disp valve, 3 gas bags, case & tubing	385.00
73-0610RK	81-RX515	Cal kit, RX-515, 34AL cyl 50% vol CH4 in N2, 103L cyl 15% CO2 in N2, 103L cyl CO/CH4/O2, dem flow reg, case & tubing	900.00
	81-RX515-LV	Cal kit, RX-515, 34L cyl 10% vol CH4 in N2, 34L cyl 50% LEL CH4 in Air, 34L cyl 100 ppm CO in N2, 34L cyl 15% CO2 in N2, dispensing valve, three gas bags, case & tubing	585.00
73-0611RK	81-RX516-LV	Cal kit, RX-516, 17L cyl 10% vol isobutane in N2, 34AL cyl 50 ppm H2S/50% LEL isobutane in N2, reg with gauge & knob, disp valve, two gas bags, case & tubing	555.00
	81-RX517-LV	Cal kit, RX-517, 34L cyl 50 ppm H2S/50% LEL isobutane in N2, 17L cyl 10% vol isobutane/N2, disp valve, two gas bags, case & tubing	555.00
73-0612RK	81-RX517-DLV	Cal kit, RX-517, 34L cyl 50 ppm H2S/50% LEL isobutane in N2, 17L cyl 10% vol isobutane/N2, two demand flow regs, two gas bags, case & tubing	870.00
	81-RX517-LV	Cal kit, RX-517, 34L cyl 50 ppm H2S/50% LEL isobutane in N2, 17L cyl 10% vol isobutane/N2, disp valve, two gas bags, case & tubing	555.00
	81-RX517RK	Cal kit, RX-517, 34L cyl 50 ppm H2S/50% LEL isobutane in N2, 17L cyl 10% vol isobutane/N2, reg with gauge & knob, disp valve, two gas bags, case & tubing	935.00
	81-RX517RKNG	Cal kit, RX-517, two dem flow regs, screwdriver, case for 58AL / 103L cylinders & tubing (No Gas)	620.00
RX-8000			
73-0615	81-RX415CH4	Cal kit, RX-415/RX-8000, 34L cyl 50% LEL CH4/Air, 34L cyl 50% vol CH4/Air, 34L cyl 100% N2, disp valve, 3 gas bags, case & tubing	385.00
73-0616	81-RX415HCD	Cal kit, RX-415/RX-8000, 34L cyl 50% LEL isobutane/Air, 34L cyl 10% vol isobutane/Air, 34L cyl 100% N2, dem flow reg, case & tubing	525.00
73-0617	81-RI415CH4	Cal kit, RI-415/RX-8000, 34L cyl 50% LEL CH4/Air, 34L cyl 50% vol CH4/Air, disp valve, gas bag, two gas bags, case & tubing	305.00
73-0618	81-RI415HC	Cal kit, RI-415/RX-8000, 34L cyl 50% LEL isobutane/Air, 17L cyl 10% vol isobutane/N2, disp valve, two gas bags, case & tubing	310.00
SP-220			
72-0064-05	81-SP22005-LV	Cal kit, SP-220, 34AL PH3 0.5 ppm, dem flow reg, case & tubing	645.00
72-0064-06	81-SP22005-LV	Cal kit, SP-220, 34AL PH3 0.5 ppm, dem flow reg, case & tubing	645.00

Technical Services



Technical Services

Field Service Rates

RKI Instruments offers the following rates for servicing our equipment at the customer's site. Field service rates apply to start-up, calibration, troubleshooting, and training. RKI Instruments offers service agreements that provide substantial savings for routine maintenance and calibration.



Please contact RKI Instruments for further details and pricing.

Regular Hourly Rate (90-F-HOUR)

\$135.00 per person per hour, two hour minimum. These rates apply Monday through Friday (except holidays), 8:00 am to 5:00 pm, scheduled 24 hours in advance. Overtime rate is \$175.00 per hour.

Daily Rate (90-F-DAY)

\$850.00 per person per day for up to eight hours. These rates apply Monday through Friday (except holidays) 8:00 am to 5:00 pm, scheduled 24 hours in advance. Overtime rate is \$175.00 per hour.

Weekend, Evening, & Emergency

\$1,200.00 per person per day for eight hours (or \$175.00 per hour; two hour minimum billing). Overtime rate is \$175.00 per hour. These rates apply to service that must be started with less than 24 hour advance scheduling and for work performed on holidays. Consult RKI Instruments before scheduling.

Other Charges

Parts and materials used in field service are charged according to current RKI list price. Travel time within 100 miles of RKI Instruments is billed from portal to portal at our standard field hourly rate. Travel greater than 100 miles from RKI is billed at our standard field hourly rate plus mileage at \$ 0.55 per mile. Other travel expenses, including airfare, ground transportation, meals and lodging will be billed as actual when applicable.

Please Note

All field service work should be scheduled with as much advance notice as possible.

Online Service Order Form

All items returned for service must be accompanied by a completed Service Order Form. To expedite the service process, online service order forms can be filled and directly submitted to RKI's service center. Simply type the following address into any web browser.

<http://www.rkiinstruments.com/pages/repairform.htm>

A copy of the form also follows this section. Please follow the instructions on the form. **Incomplete or missing forms may cause delays in the service process.**

Factory Repair Charges

Description

Minimum billing for any service	85.00
91-R-LABOR Hourly factory service labor rate	85.00
91-R3-XFEE Expedite Fee - 3 day turn around (additional charge, contact RKI Service for authorization). Instrument conversions are not available for expedited service)	85.00

Instruments returned unrepaired will incur an estimate fee of \$85.00 per instrument plus shipping. If unit is repaired, this estimate amount will be applied to the total repair charge.

Factory Training Charges (On-site)

On-site training at your facility or at RKI Instruments can be provided at our daily rate of \$850.00 per day. All travel and living expenses will be billed as actual for all training provided at customer's facilities. Training binders will be provided at \$75.00 each.

Technical Services

Calibration and EAGLE Upgrade Services

Many instruments are sent to us for just a general checkup and calibration. If no additional repair work, extra parts or sensors are required to perform this service, then RKI's calibration services can apply. In this case, if you send a "not to exceed" purchase order to RKI along with the instrument, your repair time will be expedited. Using standard calibration and Eagle upgrade services eliminates the need for the service department to obtain an approval, which gets your service order back to you much faster.

Please remember to always complete an RKI Service Order Form with every repair, even for standard calibration services. This form can be found on RKI's web site, or one can be faxed or emailed to you.

STEPS FOR CALIBRATION AND UPGRADE ORDERS:

1. Select the appropriate calibration services for your instrument model from the *Services For Portable Instruments* or *Eagle Upgrades* sections.
2. Complete an RKI Repair Form specifying your service, a "not to exceed" figure, and a purchase order number.
3. Return instrument to RKI with the completed Service Order Form.
4. RKI will complete the service indicated and promptly return it to you, as long as no other parts or repair work are required.

If additional parts or service work are required that exceeds your "not to exceed" amount, then RKI will create an estimate for your approval. You may then either give authorization to RKI to add the additional charges to the original PO, or supply a new PO to cover the new total costs. If you know that certain parts or sensors will be required prior to sending the instrument to us, you can also expedite the service by including the cost of those sensors or parts on the original purchase order sent to us with the instrument.

Services For Portable Instruments

Select the appropriate service for your instrument model from the list below. Complete an RKI Service Order Form indicating service required, a "not to exceed" figure, and a purchase order number. Return instrument to RKI with the completed Service Order Form. Prices include inspection, testing, cleaning and calibration. These prices assume that no additional sensor replacement, parts or labor is required. If an instrument is extremely dirty, requires replacement parts, sensors or additional labor, an estimate will be provided documenting additional work required.

Calibration certificate is included with every instrument repair.

Part#	Description	Suggested Retail
91-C-LVL1	Level 1 service - inspect, service, and calibration of the following instruments: 03 Series, GasWatch 2, GP-01, OX-01, HS-01, CO-01, GP-204, NP-204, & SC-01	95.00
91-C-LVL2	Level 2 service - inspect, service, and calibration of the following instruments: GX-2009, GX-2012, GX-6000 (4 gas, PID only, or toxic only), Gas Tracer, GX-2001, GX-2003, GX-94, GX-82A, GX-86A, RI-413A, SP-205ASC, GX-85N, NP-85, GP-226, RI-415, RX-415, GX-8000, RX-8000, & PS 2	130.00
91-C-LVL3	Level 3 service - inspect, service, and calibration of the following instruments: GX-6000 (4 gas + PID/toxic), RX-516, RX-517, RI-413, GD-K88Ai, GD-70D, GD-K7D2, GD-K77D, SC-1	170.00
91-C-LVL4	Level 4 service - inspect, service, and calibration of the following instruments: FP-30, FP-40, FP-31	250.00
91-C-LVL5	Level 4 service - inspect, service, and calibration of the following instruments: FP-300, FP-301, FP-330 ...	350.00

Services For EAGLE & EAGLE 2

Based on the EAGLE or EAGLE 2 configurations, the following services are available. Each EAGLE/EAGLE 2 service level includes disassembly/reassembly, cleaning inside/out, flow system examination for proper flow and pump shut off points, and calibration.

Part#	Description	Suggested Retail
91-C-ELVL1	Level 1 service - inspect, service and calibration for any EAGLE with 1 to 4 gas sensors including (LEL/O2/H2S/CO) or any single gas toxic / PID / TC / IR sensor	180.00
91-C-ELVL2	Level 2 service - inspect, service and calibration for any EAGLE with 2 super toxic / PID / TC / IR sensors only or 1 super toxic / PID / TC / IR sensor plus any 1 to 4 gas sensors including (LEL/O2/H2S/CO)	225.00
91-C-ELVL3	Level 3 service - inspect, service and calibration for any EAGLE with 2 or more super toxic / PID / TC / IR sensors plus any 1 to 4 gas sensors including (LEL/O2/H2S/CO)	270.00

Technical Services

Upgrades

For EAGLE OR EAGLE 2 upgrades adding super toxic sensors, contact RKI Applications Department to confirm that the gas combination you need is practical. Or find the part number for the version you want in the EAGLE section of this price list to confirm it is a viable combination. **Eagle upgrades are not eligible for the expedite program.**

Please use the following guidelines for quoting and handling EAGLE upgrades from one configuration to another.

The pricing below includes all parts, calibration, and labor required to convert an EAGLE that is complete and in good working order, and that does not need any additional repairs, parts or sensors replaced. If additional parts, sensors or labor is required an estimate will be provided. Approval of the estimate is required before upgrade can be completed.

For upgrades that include adding super toxic channels, the part number utilizes a suffix to indicate the specific super toxic gas being added. For example, to add a chlorine channel to an EAGLE, the upgrade part number would be 91-1000-CL2. To add 2 super toxic channels, use a separate line item for each channel. Specify the 91-1000-XXX part number for each new channel and total each individual price.

EAGLE 1 Upgrades

Part#	Description	Suggested Retail
78-ENGINEER	Engineering fee for conversions to non standard EAGLE Versions	100.00
91-1000-01	Adding a super toxic sensor to EAGLE if instrument has existing super toxic sensor	1,200.00
91-1000-XXX	Adding a super toxic sensor to EAGLE	1,200.00
91-1001	Adding a 0 - 100% LEL (IR) CH4 sensor to EAGLE	1,100.00
91-1001-01	Adding a 0 - 100% LEL (IR) CH4 sensor to EAGLE if instrument has existing IR sensor	1,100.00
91-1002	Adding a 0 - 100% Vol CH4 sensor to EAGLE.....	1,100.00
91-1002-01	Adding a 0 - 100% Vol CH4 sensor to EAGLE if instrument has existing IR sensor	1,100.00
91-1003	Adding CO2 0 - 5,000 / 10,000 ppm to EAGLE	1,100.00
91-1003-01	Adding CO2 0 - 5,000 / 10,000 ppm to EAGLE if instrument has existing IR sensor	1,100.00
91-1004	Adding CO2 0 - 5% to EAGLE	1,100.00
91-1004-01	Adding CO2 0 - 5% to EAGLE if instrument has existing IR sensor	1,100.00
91-1005	Adding CO2 0 - 20% / 0 - 60% Vol to EAGLE	1,100.00
91-1005-01	Adding CO2 0 - 20% / 0 - 60% Vol to EAGLE if instrument has existing IR sensor	1,100.00
91-1006	Changing from one Super Toxic gas type to another	855.00
91-1007	Changing from 2 gas flow chamber to 4 gas flow chamber (sensors not included)	320.00

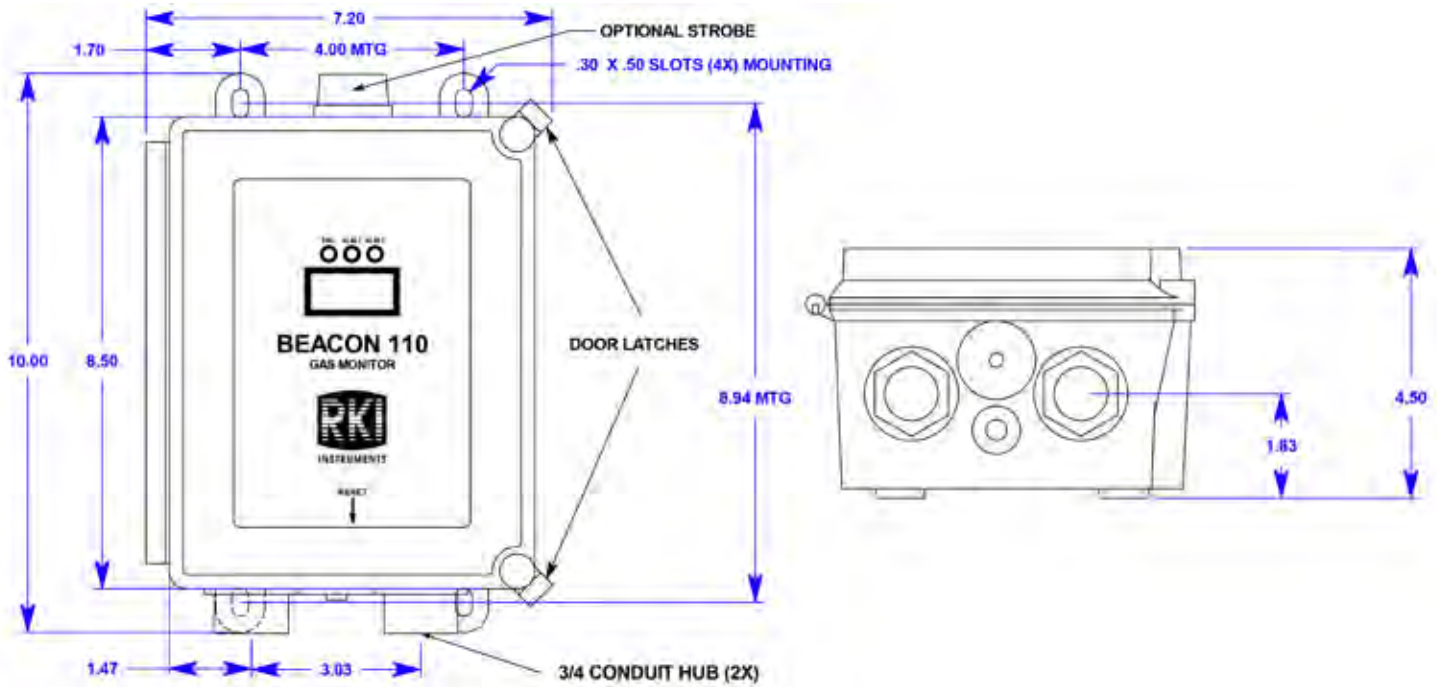
EAGLE 2 Upgrades

Part#	Description	Suggested Retail
78-ENGINEER	Engineering fee for conversions to non standard EAGLE Versions	100.00
91-1025	Adding Low Range PID to EAGLE 2	1,950.00
91-1026	Adding High Range PID to EAGLE 2	1,650.00
91-1027	Adding 10,000ppm IR CO2 sensor to EAGLE 2	1,100.00
91-1028	Adding 5% IR CO2 sensor to EAGLE 2	1,100.00
91-1029	Adding 60% IR CO2 sensor to EAGLE 2	1,100.00
91-1030	Adding IR CH4 sensor to EAGLE 2	1,100.00
91-1031	Adding IR HC sensor to EAGLE 2	1,100.00
91-1032	Adding TC CH4 sensor to EAGLE 2.....	750.00
91-1033	Adding TC H2 sensor to EAGLE 2	750.00
91-1034-XXX	Adding ESM-01 sensor to EAGLE 2	700.00
91-1035	Adding standard 4 gas block & sensors to EAGLE 2	1,100.00

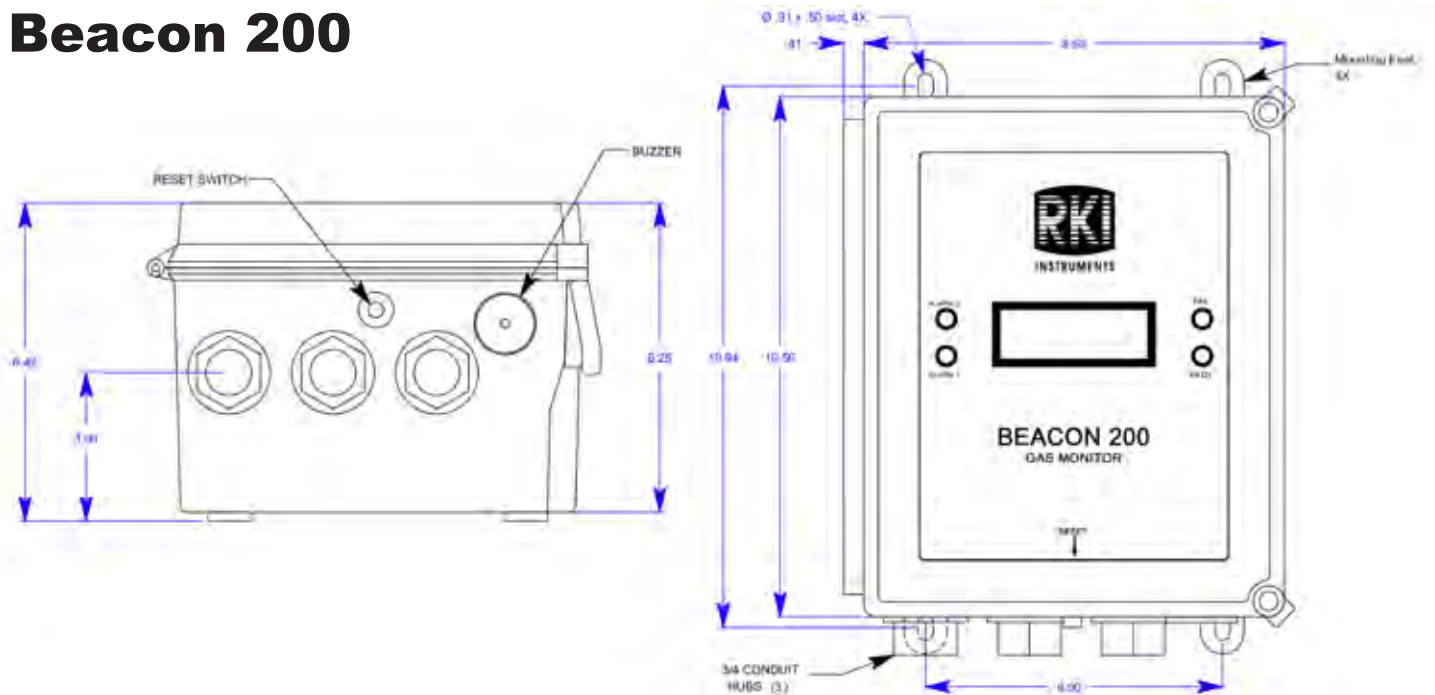
Notes

Fixed Systems Controllers

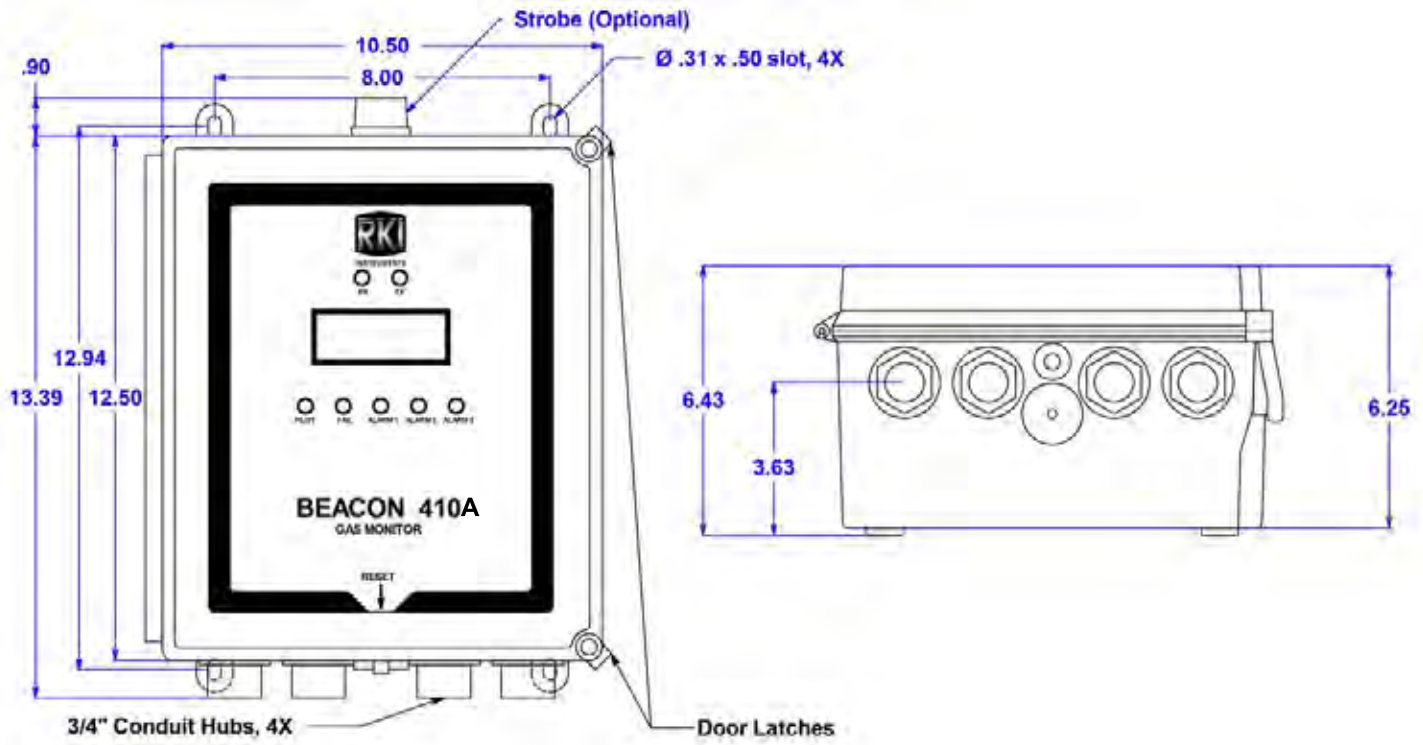
Beacon 110



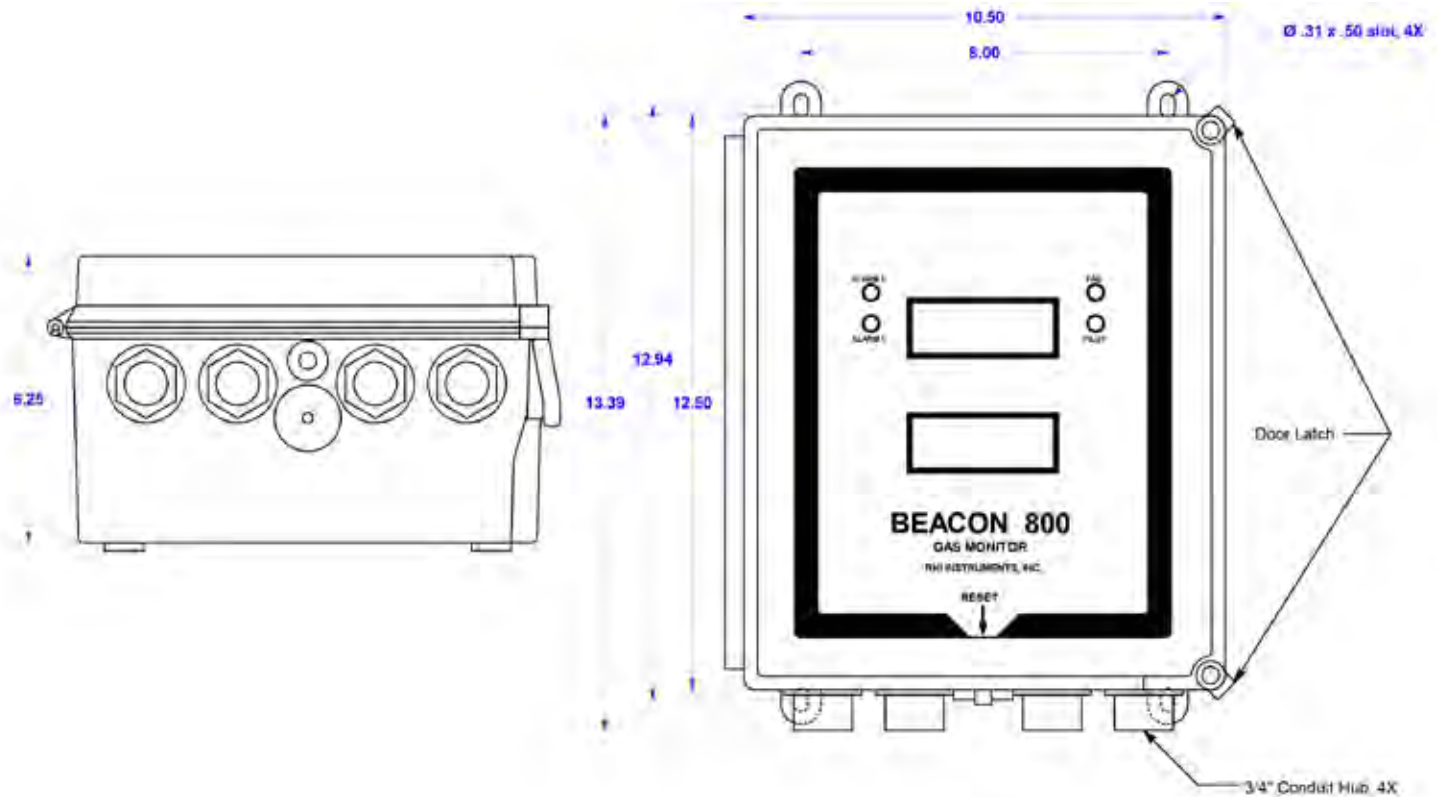
Beacon 200



Beacon 410A



Beacon 800



Fixed Systems Controllers

Beacon 110 Single Channel Wall Mount Controller



ORDERING INFORMATION: When ordering a Beacon 110 system, please specify the following components:

- 1) Controller - Be sure to order correct -01, -02, or -03 version if intended to be used with a standby battery or if a strobe light is needed.
- 2) Detector Assembly (one only)
- 3) Battery back-up assembly if Beacon 110 with battery charger is ordered
 - 49-8103RK 1.2 AH battery assembly
 - 49-8104RK 12 AH battery assembly

Note

The Beacon 110 can accept direct connect sensors for LEL combustibles, Oxygen, Hydrogen Sulfide, and Carbon Monoxide as well as a few other gases (see Direct Connect Sensor section for a complete listing on page 129). The Beacon 110 can also accept any 4-20 mA transmitter.

Controller Selection

Part#	Description	Suggested Retail
72-2110RK	Beacon 110, single channel controller (no sensor)	895.00
72-2110RK-01	Beacon 110, single channel controller with battery charger (no sensor or back-up battery).....	930.00
72-2110RK-02	Beacon 110, single channel controller with small red strobe light (no sensor)	1,025.00
72-2110RK-03	Beacon 110, single channel controller with battery charger and small red strobe light (no sensor or back-up battery)	1,060.00

Detector Assemblies Selection

Refer to detector assembly sections for complete listing

Direct Connect	Sensors with or without junction boxes, that connect directly to a controller (no transmitter)	page 129
S2 Series	Sensor / transmitter with explosion proof and non explosion proof junction box (no display)	page 133
M2A Series	Stand alone sensor / transmitter with explosion proof junction box and digital display	page 136
M-Series	Low cost sensor / transmitter (not explosion proof)	page 147
35-3001	Sample draw detector assembly in NEMA 4X enclosure	page 148
35-3010	Sample draw, multi-sensor detector assembly in NEMA 4X enclosure	page 148
GD-70D	Electrochemical sample draw detector assembly with digital display for toxic gases	page 140
GD-K88Ai	Electrochemical diffusion detector assembly for toxic gases	page 143

Refer to Legacy Products section for the following detector assemblies

S-Series	Sensor / transmitter with explosion proof junction box (no display) (old style)	page 158
----------	---	----------

Battery Back-up Assembly Selection

Part#	Description	Suggested Retail
49-8103RK	Standby battery assembly, 24 VDC, 1.2 AMP hours, for Beacon 110 and Beacon 200	250.00
49-8104RK	Standby battery assembly, 24 VDC, 12 AMP hours, for Beacon 110, Beacon 200, Beacon 410, & Beacon 800	450.00

Replacement Parts & Accessories

For a complete listing of replacement parts and accessories see page 163.

Notes

- Fixed system pricing is for equipment only and does not include factory start-up or training. Please contact RKI for quotation if factory start-up or training is needed.
- Please contact RKI if you would like assistance with pricing or configuring a system quotation.
- A calibration test kit is a strongly recommended accessory for all fixed systems.
- Legacy products are still available.

Fixed Systems Controllers

Beacon 200 Two Channel Wall Mount Controller



ORDERING INFORMATION: When ordering a Beacon 200 system, please specify the following components:

- 1) Controller
- 2) Detector Assembly (up to 2)
- 3) Battery back-up assembly if required
 - 49-8103RK 1.2 AH battery assembly
 - 49-8104RK 12 AH battery assembly

Note

The Beacon 200 can accept direct connect sensors for LEL combustibles, Oxygen, Hydrogen Sulfide, and Carbon Monoxide as well as a few other gases (see Direct Connect Sensor section for a complete listing on page 129). The Beacon 200 can also accept any 4-20 mA transmitter.

Controller Selection

<u>Part#</u>	<u>Description</u>	<u>Suggested Retail</u>
72-2102RK	Beacon 200, two channel controller, 115/220 VAC (no sensors)	1,695.00
72-2102-08	Beacon 200, two channel controller, 24 VDC with small red strobe light (uses common alarm 1 relay contact for strobe) (no sensors)	1,825.00

Detector Assemblies Selection

Refer to detector assembly sections for complete listing

Direct Connect	Sensors with or without junction boxes, that connect directly to a controller (no transmitter)	page 129
S2 Series	Sensor / transmitter with explosion proof and non explosion proof junction box (no display)	page 133
M2A Series	Stand alone sensor / transmitter with explosion proof junction box and digital display	page 136
M-Series	Low cost sensor / transmitter (not explosion proof)	page 147
35-3001	Sample draw detector assembly in NEMA 4X enclosure	page 148
35-3010	Sample draw, multi-sensor detector assembly in NEMA 4X enclosure	page 148
GD-70D	Electrochemical sample draw detector assembly with digital display for toxic gases	page 140
GD-K88Ai	Electrochemical diffusion detector assembly for toxic gases	page 143

Refer to Legacy Products section for the following detector assemblies

S-Series	Sensor / transmitter with explosion proof junction box (no display) (old style)	page 158
----------	---	----------

Battery Back-up Assembly Selection

<u>Part#</u>	<u>Description</u>	<u>Suggested Retail</u>
49-8103RK	Standby battery assembly, 24 VDC, 1.2 AMP hours, for Beacon 110 and Beacon 200	250.00
49-8104RK	Standby battery assembly, 24 VDC, 12 AMP hours, for Beacon 110, Beacon 200, Beacon 410, & Beacon 800	450.00

Replacement Parts & Accessories

For a complete listing of replacement parts and accessories see page 163.

Notes

- Fixed system pricing is for equipment only and does not include factory start-up or training. Please contact RKI for quotation if factory start-up or training is needed.
- Please contact RKI if you would like assistance with pricing or configuring a system quotation.
- A calibration test kit is a strongly recommended accessory for all fixed systems.
- Legacy products are still available.

Fixed Systems Controllers

Beacon 410A Four Channel Wall Mount Controller



ORDERING INFORMATION: When ordering a Beacon 410A system, please specify the following components:

- 1) Controller - Be sure to order correct -01, -02, or -03 version if intended to be used with a standby battery or if a strobe light is needed.
- 2) Detector Assemblies (up to 4)
- 3) Battery back-up assembly if Beacon 410A with battery charger is ordered
49-8104RK 12 AH battery assembly

Note

The Beacon 410A can accept direct connect sensors for LEL combustibles (catalytic or IR sensor), Oxygen, Hydrogen Sulfide, Carbon Monoxide, and Carbon Dioxide as well as a few other gases (see Direct Connect Sensor section for a complete listing on page 129. The Beacon 410A can also accept any 4-20 mA transmitter.

Controller Selection

Part#	Description	Suggested Retail
72-2104A	Beacon 410A, four channel controller (no sensor)	2,095.00
72-2104A-01	Beacon 410A, four channel controller with battery charger (no sensors or back-up battery)	2,140.00
72-2104A-13R	Beacon 410A, four channel controller with large red strobe light (no sensor)	2,395.00
72-2104A-14R	Beacon 410A, four channel controller with terminals for battery charger, large red strobe light (no sensors or back-up battery)	2,420.00

Detector Assemblies Selection

Refer to detector assembly sections for complete listing

Direct Connect	Sensors with or without junction boxes, that connect directly to a controller (no transmitter) page 129
S2 Series	Sensor / transmitter with explosion proof and non explosion proof junction box (no display) page 133
M2A Series	Stand alone sensor / transmitter with explosion proof junction box and digital display page 136
M-Series	Low cost sensor / transmitter (not explosion proof) page 147
35-3001	Sample draw detector assembly in NEMA 4X enclosure page 148
35-3010	Sample draw, multi-sensor detector assembly in NEMA 4X enclosure page 148
GD-70D	Electrochemical sample draw detector assembly with digital display for toxic gases page 140
GD-K88Ai	Electrochemical diffusion detector assembly for toxic gases page 143

Refer to Legacy Products section for the following detector assemblies

S-Series	Sensor / transmitter with explosion proof junction box (no display) (old style) page 158
----------	---	----------------

Battery Back-up Assembly Selection

Part#	Description	Suggested Retail
49-8104RK	Standby battery assembly, 24 VDC, 12 AMP hours, for Beacon 110, Beacon 200, Beacon 410A, & Beacon 800	450.00

Replacement Parts & Accessories

For a complete listing of replacement parts and accessories see page 163.

Notes

- Fixed system pricing is for equipment only and does not include factory start-up or training. Please contact RKI for quotation if factory start-up or training is needed.
- Please contact RKI if you would like assistance with pricing or configuring a system quotation.
- A calibration test kit is a strongly recommended accessory for all fixed systems.
- Legacy products are still available.

Fixed Systems Controllers

Beacon 800 Eight Channel Wall Mount Controller

ORDERING INFORMATION: When ordering a Beacon 800 system please specify the following components:

- 1) Controller
- 2) Detector Assemblies (up to 8)
- 3) Any options desired such as heavy duty relay board or individual recorder output board.
- 4) Battery back-up assembly if required
49-8104RK 12 AH battery assembly



Note

All sensors connected to the Beacon 800 must use a 4-20 mA transmitter. Direct Connect Sensors are not compatible with the Beacon 800.

Controller Selection

<u>Part#</u>	<u>Description</u>	<u>Suggested Retail</u>
72-2108RK	Beacon 800, eight channel controller (no sensors)	2,295.00

Detector Assemblies Selection

Refer to detector assembly sections for complete listing

S2 Series	Sensor / transmitter with explosion proof and non explosion proof junction box (no display)	page 133
M2A Series	Stand alone sensor / transmitter with explosion proof junction box and digital display	page 136
M-Series	Low cost sensor / transmitter (not explosion proof)	page 147
35-3001	Sample draw detector assembly in NEMA 4X enclosure	page 148
35-3010	Sample draw, multi-sensor detector assembly in NEMA 4X enclosure	page 148
GD-70D	Electrochemical sample draw detector assembly with digital display for toxic gases	page 140
GD-K88Ai	Electrochemical diffusion detector assembly for toxic gases	page 143

Refer to Legacy Products section for the following detector assemblies

S-Series	Sensor / transmitter with explosion proof junction box (no display)	page 158
----------	---	----------

Optional Selections

(These items are factory installed and must be ordered with the instrument)

75-0004RK	Recorder output board, 8 outputs, 4-20 mA or 1-5 VDC, added to Beacon 800	300.00
75-0005RK	Heavy duty relay board, 4 relays at 30 amps, added to Beacon 800	200.00
75-0006RK	Relay board and recorder output board, added to Beacon 800	480.00

Battery Back-up Assembly Selection

<u>Part#</u>	<u>Description</u>	<u>Suggested Retail</u>
49-8104RK	Standby battery assembly, 24 VDC, 12 AMP hours, for Beacon 110, Beacon 200, Beacon 410, & Beacon 800	450.00

Replacement Parts & Accessories

For a complete listing of replacement parts and accessories see page 163.

Notes

- Fixed system pricing is for equipment only and does not include factory start-up or training. Please contact RKI for quotation if factory start-up or training is needed.
- Please contact RKI if you would like assistance with pricing or configuring a system quotation.
- A calibration test kit is a strongly recommended accessory for all fixed systems.
- Legacy products are still available.

Fixed Systems Controllers

RM-5000 Series 2, 4, 6, 8, or 12 Multi-Channel Controller and Alarm



ORDERING INFORMATION: When ordering a RM-5000 system please specify the following components:

- 1) Housing
- 2) Display Modules
- 3) Detector / Transmitter Assemblies

Housing

<u>Part#</u>	<u>Description</u>	<u>Suggested Retail</u>
5000-SR	1-Channel Case, panel mounting, RM-5000 Series	220.00
5000-02R	2-Channel panel mounting housing, RM-5000 Series	920.00
5000-02W	2-Channel wall mounting housing, RM-5000 Series.....	920.00
5000-04R	4-Channel panel mounting housing, RM-5000 Series	1,150.00
5000-04W	4-Channel wall mounting housing, RM-5000 Series.....	1,150.00
5000-06R	6-Channel panel mounting housing, RM-5000 Series	1,380.00
5000-06W	6-Channel wall mounting housing, RM-5000 Series.....	1,380.00
5000-08R	8-Channel panel mounting housing, RM-5000 Series	1,610.00
5000-08W	8-Channel wall mounting housing, RM-5000 Series.....	1,610.00
5000-10R	10-Channel panel mounting housing, RM-5000 Series	1,840.00
5000-10W	10-Channel wall mounting housing, RM-5000 Series	1,840.00
5000-12R	12-Channel panel mounting housing, RM-5000 Series	2,070.00
5000-12W	12-Channel wall mounting housing, RM-5000 Series	2,070.00

Display Modules

<u>Part#</u>	<u>Description</u>	<u>Suggested Retail</u>
EC-5002	Module,indicator/alarm, toxic gasses, 2-wire 4-20 mA, RM-5000 Series (specify gas & range)	660.00
EC-5002-NH3	Module,indicator/alarm, 0-75.0 ppm NH3, 2-wire 4-20 mA, RM-5000 Series	660.00
GH-5001	Module, indicator/alarm, GH-5001,combustible or toxic gasses (ppm range), RM-5000 Series (specify gas & range)	660.00
GH-5001H	Module, indicator/alarm, GH-5001H, 0-2000 ppm H2, (for SG-8541,SG-8546,61-0160RK sensors)	660.00
GH-5001H-01	Module,indicator/alarm, GH-5001H, 0-2000 ppm H2, NE relays/test relay on	660.00
GH-5001H-02	Module,indicator/alarm, GH-5001H, 0-2000 ppm H2, NE relays/self resetting alms/test relay on	660.00
GP-5001-C4H10	Module,indicator/alarm, GP-5001,combustible gas , 0-100 %LEL isobutane, RM-5000 Series	660.00
GP-5001-CH4	Module, indicator/alarm, GP-5001,combustible gas , 0-100% LEL CH4, RM-5000 Series	660.00
NC-5001-C2H4	Module indicator/alarm, 0 - 100 %LEL Ethylene (C2H4), for NC-6241A, RM-5000 Series	660.00
NC-5001-CH4	Module indicator/alarm, 0 - 100 %LEL CH4, for NC-6241, RM-5000 Series	660.00
NC-5001-THF	Module indicator/alarm, 0 - 100 %LEL THF, for NC-6241, RM-5000 Series	660.00
NP-5001	Module, indicator/alarm, NP-5001, combustible gas, % volume, RM-5000 Series	660.00
OX-5001	Module, indicator/alarm, oxygen, 0-25%, direct connect, RM-5000 Series	660.00
OX-5002	Module, indicator/alarm, OX-5002, Oxygen (4-20mA), RM-5000 Series	660.00
RM-5002	Module indicator/alarm, 2-wire 4-20 mA, RM-5000 Series (specify gas & range)	660.00
RM-5002-CO2-02	Module indicator/alarm, 0-9950 ppm, 2-wire 4-20 mA, RM-5000 Series	660.00
RM-5003	Module indicator/alarm, 3-wire 4-20 mA, RM-5000 Series (specify gas & range)	660.00
RM-5003-CL2	Module indicator/alarm, 0-3.00 ppm Cl2, 3-wire 4-20 mA, RM-5000 Series	660.00
SP-5001	Module, indicator/alarm, SP-5001, combustible or toxic gases (ppm range), RM-5000 Series	660.00
TAN-5000	Buzzer Unit, self resetting, RM-5000 Series	400.00
TAN-5000L	Buzzer Unit, latching, RM-5000 Series	400.00



Fixed Systems Controllers

RM-5000 Series 2, 4, 6, 8, or 12 Multi-Channel Controller and Alarm



ORDERING INFORMATION: When ordering a RM-5000 system please specify the following components:

- 1) Housing
- 2) Display Modules
- 3) Detector / Transmitter Assemblies

RM-5000 Detector Assemblies

Part#	Description	Suggested Retail
21-0250RK	Weather proof cover for GD-A8 & GD-D8	140.00
61-1000RK	Sensor, LEL combustible (catalytic) with explosion proof j-box (no transmitter), (specify calibration), UL version	350.00
61-1001RK	Sensor, LEL Hydrogen (H2) specific with explosion proof j-box (no transmitter), UL version.....	495.00
61-1050RK	Hydrogen (H2) specific sensor / j-box, 0-2000 ppm	495.00
GD-A80-01	Diffusion detector assembly, model GD-A80, 0 - 100% LEL methane, explosion proof	575.00
GD-A80-02	Diffusion detector assembly, model GD-A80, 0 - 100% LEL hexane, explosion proof	575.00
GD-A80-03	Diffusion detector assembly, model GD-A80, 0 - 100% LEL propane, explosion proof	575.00
GD-A80-04	Diffusion detector assembly, model GD-A80, 0 - 100% LEL hydrogen, explosion proof	575.00
GD-A80-05	Diffusion detector assembly, model GD-A80, 0 - 100% LEL isobutane, explosion proof	575.00
GD-A80-06	Diffusion detector assembly, model GD-A80, 0 - 100% LEL MMA (mono methyl methacrylate), explosion proof	575.00
GD-A80V-01	Diffusion detector assembly, model GD-A80V, 0 - 2000 ppm hydrogen, H2 specific, MOS sensor, explosion proof	575.00
GD-A80V-02	Diffusion detector assembly, model GD-A80V, 0 - 5000 ppm hydrogen, H2 specific, SG-8511, explosion proof	575.00
GD-A80V-04	Diffusion detector assembly, model GD-A80V, 0 - 300 ppm MMA (methyl methacrylate), MOS sensor, explosion proof	575.00
GD-D58-DU2-100	Sample draw detector assembly, model GD-D58, 0 - 100% LEL methane, 24 VDC, with G1 ports, brass 1/4" tube fittings	1,500.00

Refer to detector assembly sections for complete listing

Direct Connect	Sensors with or without junction boxes, that connect directly to a controller (no transmitter) for LEL & Oxygen only	page 129
S-Series	Sensor / transmitter with explosion proof junction box (no display)	page 158
M2A Series	Stand alone sensor / transmitter with explosion proof junction box and digital display	page 136
GD-70D	Electrochemical sample draw detector assembly with digital display for toxic gases	page 140
GD-K88Ai	Electrochemical diffusion detector assembly for toxic gases	page 143

Notes

- Fixed system pricing is for equipment only and does not include factory start-up or training. Please contact RKI for quotation if factory start-up or training is needed.
- Please contact RKI if you would like assistance with pricing or configuring a system quotation.
- A calibration test kit is a strongly recommended accessory for all fixed systems.
- Legacy products are still available.

Direct Connect Sensors



61-1000RK
LEL combustible (catalytic) with explosion proof j-box (no transmitter), (specify calibration), UL version



61-0003RK-CH4
IR, Methane (CH4) 0 - 100% LEL, explosion proof with j-box, UL version

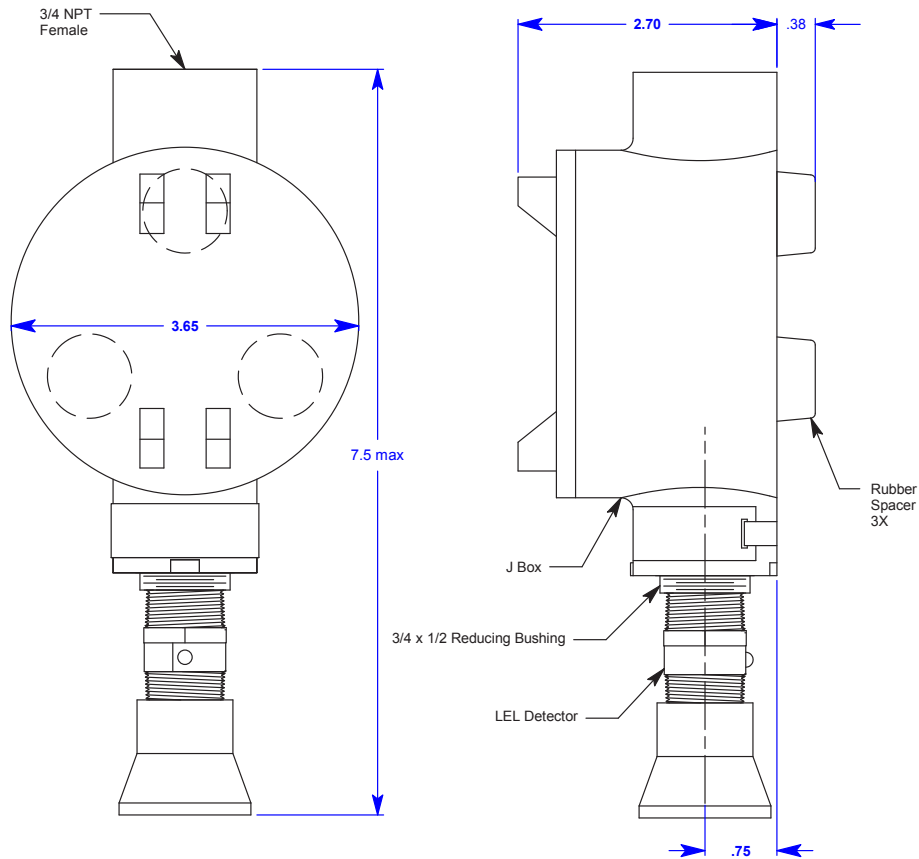


65-2427RK-05
Hydrogen Sulfide (H2S) with j-box, CSA version

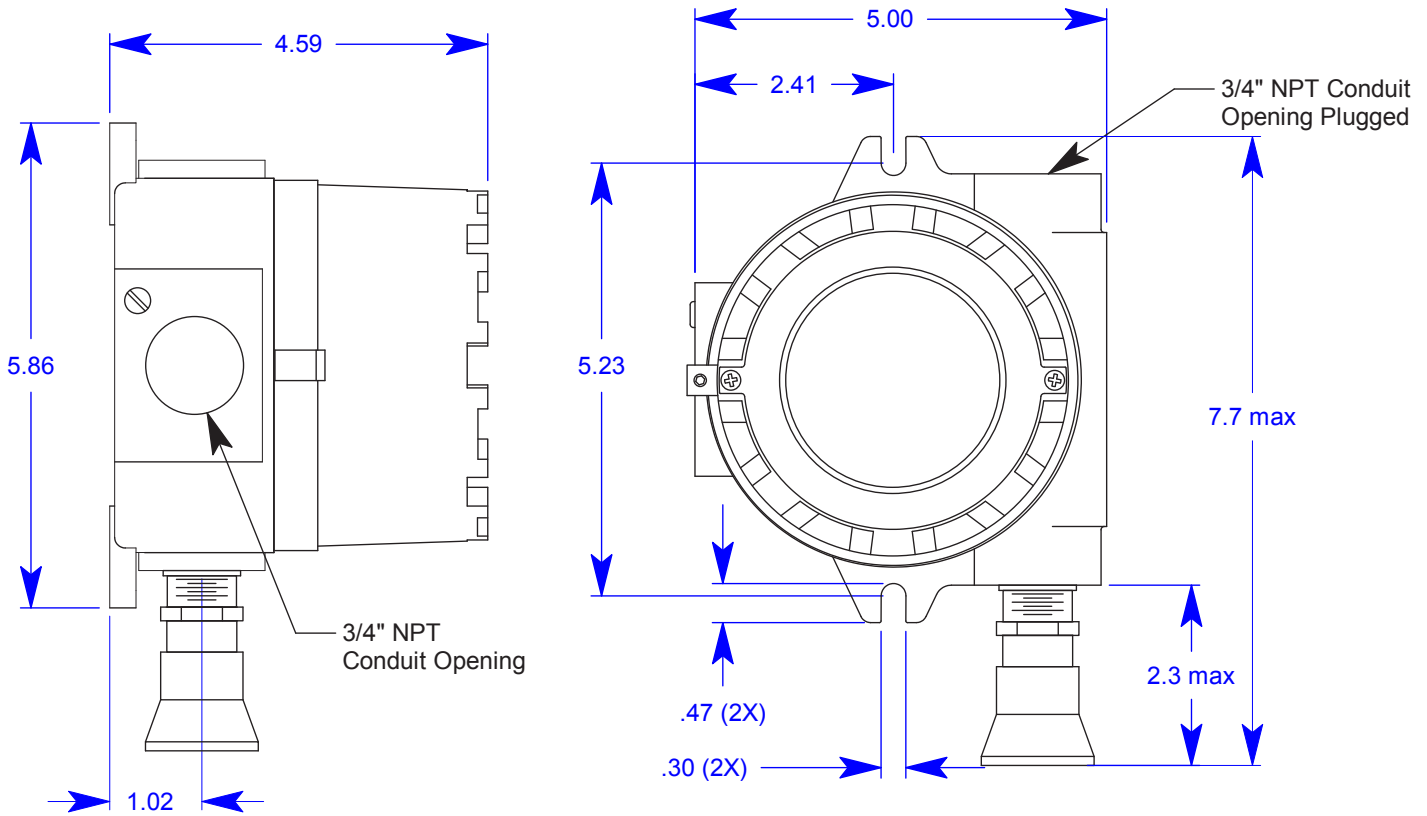


65-2301RK-NH3
Ammonia (NH3) sensor, 0 - 75 ppm, direct connection non explosion proof with j-box (no transmitter)

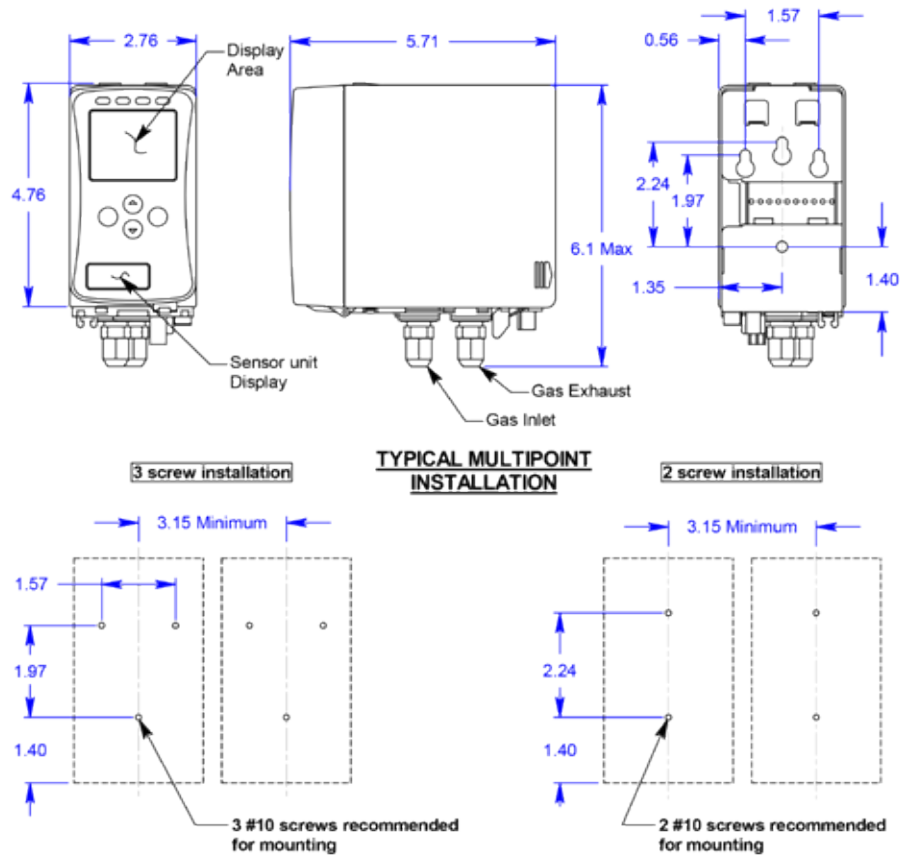
S2



M2A



GD-70D



Fixed Systems Sensors & Transmitters

Direct Connect Sensors

ORDERING INFORMATION: Direct connect sensors can be with or without a junction box and can be connected directly to the Beacon 110, Beacon 200, and Beacon 410. LEL and Oxygen versions can also be connected to the Pioneer.



Explosion Proof Sensors, No J-Box

<u>Part#</u>	<u>Description</u>	<u>Suggested Retail</u>
61-0140RK	Sensor, LEL combustible (catalytic), direct connection (no transmitter, no j-box), UL version	250.00
61-0140RK-05	Sensor, LEL combustible (catalytic), direct connection (no transmitter, no j-box), cCSAus version	300.00
NC-6205-01	Sensor, LEL Hydrogen (H2) specific, 1/2 NPT, with guard,with silicone resistance, UL version, (no transmitter, no j-box)	400.00
NC-6205-05	Sensor, LEL Hydrogen (H2) specific, explosion proof direct connection, with silicone resistance, cCSAus version, (no transmitter, no j-box)	450.00
65-2514RK	Sensor, Oxygen (O2), capillary type, explosion proof, (no transmitter, no j-box), CSA version	360.00
65-2438	Sensor, Carbon Monoxide (CO), direct connection (no transmitter, no j-box), CSA version	380.00
65-2428	Sensor, Hydrogen Sulfide (H2S), direct connection (no transmitter, no j-box)	380.00
61-0190RK-CH4	Sensor, IR, Methane (CH4) 0 - 100% LEL, explosion proof direct connection, 3/4" NPT nipple (no transmitter, no j-box), cULus version	750.00
61-0192RK-CH4	Sensor, IR, Methane (CH4) 0 - 100% volume, explosion proof direct connection, 3/4" NPT nipple (no transmitter, no j-box), cULus version	800.00
61-0190RK-HC	Sensor, IR, Hydrocarbon (HC) 0 - 100% LEL, isobutane standard calibration, explosion proof direct connection, 3/4" NPT nipple (no transmitter, no j-box), cULus version	750.00
61-0191RK-02	Sensor, IR, Carbon Dioxide (CO2) 0 - 5,000 ppm, explosion proof direct connection (no transmitter, no j-box), cULus version	800.00
61-0191RK-03	Sensor, IR, Carbon Dioxide (CO2) 0 - 5%, explosion proof direct connection (no transmitter, no j-box), cULus version	800.00
61-0191RK-05	Sensor, IR, Carbon Dioxide (CO2) 0 - 50%, explosion proof direct connection (no transmitter, no j-box), cULus version	800.00
61-0191RK-10	Sensor, IR, Carbon Dioxide (CO2) 0 - 100%, explosion proof direct connection (no transmitter, no j-box), cULus version	800.00

Non Explosion Proof Sensors, No J-box

<u>Part#</u>	<u>Description</u>	<u>Suggested Retail</u>
61-0198RK-02	Sensor, IR Carbon Dioxide (CO2) 0-5,000 ppm, non explosion proof direct connect, replaceable sensor	700.00
61-0198RK-03	Sensor, IR Carbon Dioxide (CO2) 0-5%, non explosion proof direct connect, replaceable sensor	700.00
61-0198RK-05	Sensor, IR Carbon Dioxide (CO2) 0-50%, non explosion proof direct connect, replaceable sensor	700.00
61-0198RK-10	Sensor, IR Carbon Dioxide (CO2) 0-100%, non explosion proof direct connect, replaceable sensor	700.00
65-2494RK	Sensor, Oxygen (O2) 0 - 25%, non explosion proof direct connect, capillary type, no j-box	320.00
65-2495RK	Sensor, Hydrogen Sulfide (H2S) 0 - 100 ppm, non explosion proof direct connect, no j-box	320.00
65-2496RK	Sensor, Carbon Monoxide (CO) 0 - 300 ppm, non explosion proof direct connect, no j-box	320.00
65-2510RK	Sensor, Oxygen (O2) 0 -25%, non explosion proof direct connect, partial pressure type (no transmitter, no j-box)	250.00

Fixed Systems Sensors & Transmitters



Direct Connect *ESM-01* Sensors

Non Explosion Proof Sensors, No J-box

Part#	Description	Suggested Retail
65-2300RK-ASH3	Sensor, Arsine (AsH3) sensor, 0 - 1.5 ppm, direct connection with conduit mounting, non explosion proof (no transmitter, no j-box)	550.00
65-2300RK-HCN	Sensor, Hydrogen Cyanide (HCN) sensor, 0 - 15 ppm, direct connection with conduit mounting non explosion proof (no transmitter, no j-box)	550.00
65-2300RK-NH3	Sensor, Ammonia (NH3) sensor, 0 - 75 ppm, direct connection with conduit mounting, non explosion proof (no transmitter, no j-box)	550.00
65-2300RK-PH3	Sensor, Phosphine (PH3) sensor, 0 - 1 ppm, direct connection with conduit mounting, non explosion proof (no transmitter, no j-box)	550.00
65-2300RK-SO2	Sensor, Sulfur Dioxide (SO2) sensor, 0 - 6 ppm, direct connection with conduit mounting, non explosion proof (no transmitter, no j-box)	550.00

Direct Connect Sensors

Explosion Proof Sensors, With J-box



Part#	Description	Suggested Retail
61-1000RK	Sensor, LEL combustible (catalytic) with explosion proof j-box (no transmitter), (specify calibration), UL version	350.00
61-1000RK-05	Sensor, LEL combustible (catalytic) with explosion proof j-box (no transmitter), (specify calibration), CSA version	400.00
61-1001RK	Sensor, LEL Hydrogen (H2) specific with explosion proof j-box (no transmitter), UL version	495.00
61-1001RK-05	Sensor, LEL Hydrogen (H2) specific with explosion proof j-box (no transmitter), CSA version	545.00
61-1003RK-CH4	Sensor, IR, Methane (CH4) 0 - 100% LEL, explosion proof with j-box, UL version	850.00
61-1003RK-HC	Sensor, IR, Hydrocarbons (HC) 0 - 100% LEL, isobutane standard calibration, explosion proof with j-box, UL version	850.00
61-1004RK-02	Sensor, IR, Carbon Dioxide (CO2) 0 - 5,000 ppm, explosion proof with j-box, UL version	900.00
61-1004RK-03	Sensor, IR, Carbon Dioxide (CO2) 0 - 5%, explosion proof with j-box, UL version	900.00
61-1004RK-05	Sensor, IR, Carbon Dioxide (CO2) 0 - 50%, explosion proof with j-box, UL version	900.00
61-1004RK-10	Sensor, IR, Carbon Dioxide (CO2) 0 - 100%, explosion proof with j-box, UL version	900.00
61-1006RK-CH4	Sensor, IR, Methane (CH4) 0 - 100% VOL, with j-box, UL version	900.00
65-2427RK-05	Sensor, Hydrogen Sulfide (H2S) with j-box, CSA version	495.00
65-2437RK-05	Sensor, Carbon Monoxide (CO) with j-box, CSA version	495.00
65-2515RK	Sensor, Oxygen (O2), capillary type, explosion proof with conduit mounting and j-box (no transmitter), CSA version	495.00

Non Explosion Proof Sensors, With J-box

61-1007RK-02	Sensor, IR, Carbon Dioxide (CO2) 0 - 5,000 ppm, non explosion proof with j-box	760.00
61-1007RK-03	Sensor, IR, Carbon Dioxide (CO2) 0 - 5%, non explosion proof with j-box	760.00
61-1007RK-05	Sensor, IR, Carbon Dioxide (CO2) 0 - 50%, non explosion proof with j-box	760.00
61-1007RK-10	Sensor, IR, Carbon Dioxide (CO2) 0 - 100%, non explosion proof with j-box	760.00
65-2497RK	Sensor, Oxygen (O2) 0 - 25%, direct connect, capillary type, non explosion proof, with j-box	420.00
65-2498RK	Sensor, Hydrogen Sulfide (H2S) 0 - 100 ppm, direct connect, non explosion proof, with j-box	440.00
65-2499RK	Sensor, Carbon Monoxide (CO) 0 - 300 ppm, direct connect, non explosion proof, with j-box	440.00
65-2502RK	Sensor, Oxygen (O2) with j-box and I.S. barrier, partial pressure type, (no explosion proof approval)	350.00

Note: **Stainless steel junction box for Direct Connect or S2 Series** can be supplied for an additional \$100.00 upon request instead of standard aluminum junction box. To order stainless junction box, just add 'SS' to the part # after the 'RK'.

Example: 61-1000RKSS, or 65-2405RKSS.

Fixed Systems Sensors & Transmitters

Direct Connect *ESM-01* Toxic Sensors



Non Explosion Proof Sensors, With J-box

<u>Part#</u>	<u>Description</u>	<u>Suggested Retail</u>
65-2301RK-ASH3	Sensor, Arsine (AsH3) sensor, 0 - 1.5 ppm, direct connection, non explosion proof with j-box (no transmitter)	650.00
65-2301RK-HCN	Sensor, Hydrogen Cyanide (HCN) sensor, 0 - 15 ppm, direct connection, non explosion proof with j-box (no transmitter)	650.00
65-2301RK-NH3	Sensor, Ammonia (NH3) sensor, 0 - 75 ppm, direct connection, non explosion proof with j-box (no transmitter)	650.00
65-2301RK-PH3	Sensor, Phosphine (PH3) sensor, 0 - 1 ppm, direct connection, non explosion proof with j-box (no transmitter)	650.00
65-2301RK-SO2	Sensor, Sulfur Dioxide (SO2) sensor, 0 - 6 ppm, direct connection, non explosion proof with j-box (no transmitter)	650.00

Direct Connect Sensors Remote Mount with Calibration Adapter / Splash Guard

Includes diffusion calibration adapter for sample tube connection.

<u>Part#</u>	<u>Description</u>	<u>Suggested Retail</u>
61-1000RK-04	Sensor, LEL combustible (catalytic) with explosion proof j-box (no transmitter), (specify calibration) and calibration adapter/splash guard	425.00
61-1001RK-04	Sensor, LEL Hydrogen (H2) specific with explosion proof j-box (no transmitter) and calibration adapter/splash guard	580.00
61-1003RK-CH4-4	Sensor, IR, Methane (CH4) 0 - 100% LEL, explosion proof with j-box and calibration adapter/splash guard	890.00

Note: Tubing sold separately. Recommended tubing size is 1/4" ID x 3/8" OD.

Includes diffusion cal cup **with splash guard** for sample tube connection.

61-1004RK-04



81-1116RK
cal cup

61-1003RK-CH4-04



81-1103RK-01
cal cup / splash guard for IR

Fixed Systems Sensors & Transmitters

Direct Connect Replacement Sensors For Explosion Proof

Part#	Description	Suggested Retail
61-0140RK	Sensor, LEL combustible (catalytic), direct connection (no transmitter, no j-box), UL version	250.00
61-0140RK-05	Sensor, LEL combustible (catalytic), direct connection (no transmitter, no j-box), cCSAus version	300.00
NC-6205-01	Sensor, LEL Hydrogen (H2) specific, 1/2 NPT, with guard,with silicone resistance, UL version, (no transmitter, no j-box)	400.00
NC-6205-05	Sensor, LEL Hydrogen (H2) specific, explosion proof direct connection, with silicone resistance, cCSAus version, (no transmitter, no j-box)	450.00
61-0190RK-CH4	Sensor, IR, Methane (CH4) 0 - 100% LEL, explosion proof direct connection (no transmitter, no j-box), cULus version	750.00
61-0190RK-HC	Sensor, IR, Hydrocarbon (HC) 0 - 100% LEL, isobutane standard calibration, explosion proof direct connection, 3/4" NPT nipple (no transmitter, no j-box), cULus version	750.00
61-0192RK-CH4	Sensor, IR, Methane (CH4) 0 - 100% volume, explosion proof direct connection, 3/4" NPT nipple (no transmitter, no j-box), cULus version	800.00
65-1025RK	Sensor, Oxygen (O2) 0 - 25%, capillary type, plug-in replacement for O2 assembly (65-2514RK & 65-2497RK)	140.00
65-2510RK	Sensor, Oxygen (O2) 0 -25%, non explosion proof direct connect, partial pressure type (no transmitter, no j-box)	250.00
ES-1537-H2S	Sensor, Hydrogen Sulfide (H2S) 0 - 100 ppm, plug-in type, CT-7 style, cCSAus version	195.00
ES-1531-CO	Sensor, Carbon Monoxide (CO) 0 - 300 ppm, plug-in type, CT-7 style, cCSAus version	195.00
61-0191RK-02	Sensor, IR, Carbon Dioxide (CO2) 0 - 5,000 ppm, explosion proof direct connection (no transmitter, no j-box), cULus version	800.00
61-0191RK-03	Sensor, IR, Carbon Dioxide (CO2) 0 - 5%, explosion proof direct connection (no transmitter, no j-box), cULus version	800.00
61-0191RK-05	Sensor, IR, Carbon Dioxide (CO2) 0 - 50%, explosion proof direct connection (no transmitter, no j-box), cULus version	800.00
61-0191RK-10	Sensor, IR, Carbon Dioxide (CO2) 0 - 100%, explosion proof direct connection (no transmitter, no j-box), cULus version	800.00
61-5040RK-02	Sensor, IR Carbon Dioxide (CO2) 0-5,000 ppm, plug-in type, non-explosion proof	500.00
61-5040RK-03	Sensor, IR Carbon Dioxide (CO2) 0-5%, plug-in type, non-explosion proof	500.00
61-5040RK-05	Sensor, IR Carbon Dioxide (CO2) 0-50%, plug-in type, non-explosion proof	500.00
61-5040RK-10	Sensor, IR Carbon Dioxide (CO2) 0-100%, plug-in type, non-explosion proof	500.00

Direct Connect Replacement Sensors For Non Explosion Proof

Part#	Description	Suggested Retail
61-5040RK-02	Sensor, IR Carbon Dioxide (CO2) 0-5,000 ppm, plug-in type, non-explosion proof	500.00
61-5040RK-03	Sensor, IR Carbon Dioxide (CO2) 0-5%, plug-in type, non-explosion proof	500.00
61-5040RK-05	Sensor, IR Carbon Dioxide (CO2) 0-50%, plug-in type, non-explosion proof	500.00
61-5040RK-10	Sensor, IR Carbon Dioxide (CO2) 0-100%, plug-in type, non-explosion proof	500.00
65-1025RK	Sensor, Oxygen (O2) 0 - 25%, capillary type, plug-in replacement for O2 assembly (65-2514RK & 65-2497RK)	140.00
65-2510RK	Sensor, Oxygen (O2) 0 -25%, non explosion proof direct connect, partial pressure type (no transmitter, no j-box)	250.00
ES-1531-CO	Sensor, Carbon Monoxide (CO) 0 - 300 ppm, plug-in type, CT-7 style, cCSAus version	195.00
ES-1537-H2S	Sensor, Hydrogen Sulfide (H2S) 0 - 100 ppm, plug-in type, CT-7 style, cCSAus version	195.00

Direct Connect Replacement ESM-01 Toxic Sensors

Part#	Description	Suggested Retail
ESM-01R-D-NH3	Sensor, Ammonia (NH3), 0 - 75 ppm, ESM-01 plug-in type, for diffusion instruments	195.00
ESM-01DH-ASH3	Sensor, Arsine (AsH3), 0 - 1.50 ppm, ESM-01 plug-in type	195.00
ESM-K01-D-CL2	Sensor, Chlorine (Cl2), 0 - 3 ppm, ESM-01 plug-in diffusion type	240.00
ESM-01DH-D-HCN	Sensor, Hydrogen Cyanide (HCN), 0 - 15 ppm, ESM-01 plug-in type	195.00
ESM-01DH-PH3	Sensor, Phosphine (PH3), 0 - 1.0 ppm, ESM-01 plug-in type	195.00
ESM-01DH-D-SO2	Sensor, Sulfur Dioxide (SO2), 0 - 6 ppm, ESM-01 plug-in type	195.00

Fixed Systems Sensors & Transmitters

S2 Series Diffusion Sensor / Transmitter

ORDERING INFORMATION: All S2 Series pricing includes the sensor and explosion proof housing.



Explosion Proof S2 Assemblies

Part#	Description	Suggested Retail
65-2322RK	S2 Series Oxygen (O2) 0-25% sensor (capillary type) / transmitter, explosion proof with j-box, CSA version	650.00
65-2331RK	S2 Series Hydrogen Sulfide (H2S) 0-100 ppm sensor / transmitter, explosion proof with j-box, CSA version	650.00
65-2336RK	S2 Series Carbon Monoxide (CO) 0-300 ppm sensor / transmitter, explosion proof with j-box, CSA version	650.00
65-2394RK-CH4	S2 Series IR, Methane (CH4) 0-100% LEL sensor / transmitter with explosion proof j-box	995.00
65-2394RK-HC	S2 Series IR, Hydrocarbon (HC) 0-100% LEL sensor / transmitter with explosion proof j-box	995.00
65-2395RK-CH4	S2 Series IR, Methane (CH4) 0-100% volume sensor / transmitter with explosion proof j-box	1,095.00
65-2396RK-02	S2 Series IR Carbon Dioxide (CO2) 0-5,000 ppm sensor / transmitter, explosion proof with j-box, UL version	1,045.00
65-2396RK-03	S2 Series IR Carbon Dioxide (CO2) 0-5% sensor / transmitter, explosion proof with j-box, UL version ...	1,045.00
65-2396RK-05	S2 Series IR Carbon Dioxide (CO2) 0-50% sensor / transmitter, explosion proof with j-box, UL version	1,045.00
65-2396RK-10	S2 Series IR Carbon Dioxide (CO2) 0-100% sensor / transmitter, explosion proof with j-box, UL version	1,045.00
65-2405RK	S2 Series LEL sensor (catalytic) / transmitter with explosion proof j-box, UL version, (specify calibration)	565.00
65-2405RK-05	S2 Series LEL sensor (catalytic) / transmitter with explosion proof j-box, CSA version, (specify calibration)	595.00
65-2442RK-2000	S2 Series Hydrogen (H2) specific 0 - 2,000 ppm sensor / transmitter with explosion proof j-box, CSA version	795.00
65-2451RK	S2 Series Hydrogen (H2) specific 0 - 100% LEL sensor / transmitter with explosion proof j-box, UL version	690.00
65-2451RK-05	S2 Series Hydrogen (H2) specific 0 - 100% LEL sensor / transmitter with explosion proof j-box, CSA version	740.00
65-2462RK	S2 Series Hydrogen (H2) 0-10% vol sensor (TC) / transmitter, explosion proof with j-box	695.00

Note: **Stainless steel junction box for Direct Connect or S2 Series** can be supplied for an additional \$100.00 upon request instead of standard aluminum junction box. To order stainless junction box, just add 'SS' to the part # after the 'RK'.

Example: 61-1000RKSS, or 65-2405RKSS.

Non Explosion Proof S2 Assemblies

Part#	Description	Suggested Retail
65-2320RK	S2 Series Oxygen (O2) 0-25% sensor / transmitter (partial pressure), non explosion proof with j-box	510.00
65-2321RK	S2 Series Oxygen (O2) 0-25% sensor / transmitter, (capillary type) non explosion proof with j-box	580.00
65-2330RK	S2 Series Hydrogen Sulfide (H2S) 0-100 ppm sensor / transmitter, non explosion proof with j-box	580.00
65-2335RK	S2 Series Carbon Monoxide (CO) 0-300 ppm sensor / transmitter, non explosion proof with j-box	580.00
65-2397RK-02	S2 Series IR Carbon Dioxide (CO2) 0-5,000 ppm, non explosion proof with j-box	895.00
65-2397RK-03	S2 Series IR Carbon Dioxide (CO2) 0-5%, non explosion proof with j-box	895.00
65-2397RK-05	S2 Series IR Carbon Dioxide (CO2) 0-50%, non explosion proof with j-box	895.00
65-2397RK-10	S2 Series IR Carbon Dioxide (CO2) 0-100%, non explosion proof with j-box	895.00

Fixed Systems Sensors & Transmitters

S2 Series Diffusion Sensor / Transmitter With ESM-01 Toxic Sensor

Non Explosion Proof S2 Assemblies

<u>Part#</u>	<u>Description</u>	<u>Suggested Retail</u>
65-2340RK-NH3	S2 Series Ammonia (NH3) 0-75 ppm sensor / transmitter, non explosion proof with j-box	800.00
65-2340RK-ASH3	S2 Series Arsine (AsH3) 0-1.5 ppm sensor / transmitter, non explosion proof with j-box	800.00
65-2340RK-HCN	S2 Series Hydrogen Cyanide (HCN) 0-15 ppm sensor / transmitter, non explosion proof with j-box	800.00
65-2340RK-PH3	S2 Series Phosphine (PH3) 0-1 ppm sensor / transmitter, non explosion proof with j-box	800.00
65-2340RK-SO2	S2 Series Sulfur Dioxide (SO2) 0-6 ppm sensor / transmitter, non explosion proof with j-box	800.00



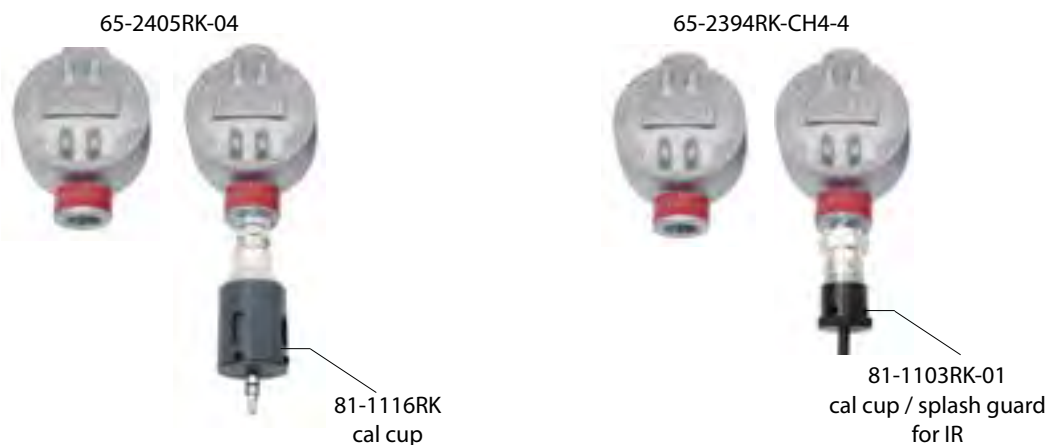
S2 Remote Mount with Calibration Adapter / Splash Guard

<u>Part#</u>	<u>Description</u>	<u>Suggested Retail</u>
65-2394RK-CH4-4	S2, IR Methane (CH4) 0-100% LEL, sensor / transmitter, with j-box, remote detector and calibration adapter/splash guard	1,135.00
65-2405RK-04	S2, LEL 0-100% sensor (catalytic) / transmitter with j-box, (specify calibration), remote detector and calibration adapter/splash guard	695.00
65-2451RK-04	S2, Hydrogen (H2) specific 0-100% LEL (catalytic) / transmitter with j-box, remote detector and calibration adapter/splash guard	765.00

Includes diffusion calibration adapter for sample tube connection and extra j-box (S2 and M2 versions).

Includes diffusion calibration adapter / **splash guard** for sample tube connection and extra j-box.

Note: Tubing sold separately. Recommended tubing size is 1/4" ID x 3/8" OD.



Fixed Systems Sensors & Transmitters

Replacement Sensors For Explosion Proof S2 Series



<u>Part#</u>	<u>Description</u>	<u>Suggested Retail</u>
61-0140RK	Sensor, LEL combustible (catalytic), direct connection (no transmitter, no j-box), UL version	250.00
61-0140RK-05	Sensor, LEL combustible (catalytic), direct connection (no transmitter, no j-box), cCSAus version	300.00
NC-6205-01	Sensor, LEL Hydrogen (H2) specific, 1/2 NPT, with guard,with silicone resistance, UL version, (no transmitter, no j-box)	400.00
NC-6205-05	Sensor, LEL Hydrogen (H2) specific, explosion proof direct connection, with silicone resistance, cCSAus version, (no transmitter, no j-box)	450.00
61-0160RK	Sensor, Hydrogen (H2) 0-2,000 ppm sensor only, 1/2 NPT, UL version	400.00
61-0190RK-CH4	Sensor, IR, Methane (CH4) 0 - 100% LEL, explosion proof direct connection, 3/4" NPT nipple (no transmitter, no j-box), cULus version	750.00
61-0192RK-CH4	Sensor, IR, Methane (CH4) 0 - 100% volume, explosion proof direct connection, 3/4" NPT nipple (no transmitter, no j-box), cULus version	800.00
61-5039RK-CH4	Sensor, IR detector, plug-in, 100% LEL CH4	460.00
61-0190RK-HC	Sensor, IR, Hydrocarbon (HC) 0 - 100% LEL, isobutane standard calibration, explosion proof direct connection, 3/4" NPT nipple (no transmitter, no j-box), cULus version	750.00
61-5039RK-HC	Sensor, IR detector, plug-in, 100% LEL HC.....	460.00
65-1025RK	Sensor, Oxygen (O2) 0 - 25%, capillary type, plug-in replacement for O2 assembly (65-2514RK & 65-2497RK)	140.00
ES-1537-H2S	Sensor, Hydrogen Sulfide (H2S) 0 - 100 ppm, plug-in type, CT-7 style, cCSAus version	195.00
ES-1531-CO	Sensor, Carbon Monoxide (CO) 0 - 300 ppm, plug-in type, CT-7 style, cCSAus version	195.00
61-0191RK-02	Sensor, IR, Carbon Dioxide (CO2) 0 - 5,000 ppm, explosion proof direct connection (no transmitter, no j-box), cULus version	800.00
61-0191RK-03	Sensor, IR, Carbon Dioxide (CO2) 0 - 5%, explosion proof direct connection (no transmitter, no j-box), cULus version	800.00
61-0191RK-05	Sensor, IR, Carbon Dioxide (CO2) 0 - 50%, explosion proof direct connection (no transmitter, no j-box), cULus version	800.00
61-0191RK-10	Sensor, IR, Carbon Dioxide (CO2) 0 - 100%, explosion proof direct connection (no transmitter, no j-box), cULus version	800.00

Replacement Sensors For Non Explosion Proof S2 Series

<u>Part#</u>	<u>Description</u>	<u>Suggested Retail</u>
61-5040RK-02	Sensor, IR Carbon Dioxide (CO2) 0-5,000 ppm, plug-in type, non-explosion proof	500.00
61-5040RK-03	Sensor, IR Carbon Dioxide (CO2) 0-5%, plug-in type, non-explosion proof.....	500.00
61-5040RK-05	Sensor, IR Carbon Dioxide (CO2) 0-50%, plug-in type, non-explosion proof	500.00
61-5040RK-10	Sensor, IR Carbon Dioxide (CO2) 0-100%, plug-in type, non-explosion proof.....	500.00
65-1025RK	Sensor, Oxygen (O2) 0 - 25%, capillary type, plug-in replacement for O2 assembly (65-2514RK & 65-2497RK)	140.00
65-2510RK	Sensor, Oxygen (O2) 0 -25%, non explosion proof direct connect, partial pressure type (no transmitter, no j-box)	250.00
ES-1531-CO	Sensor, Carbon Monoxide (CO) 0 - 300 ppm, plug-in type, CT-7 style, cCSAus version	195.00
ES-1537-H2S	Sensor, Hydrogen Sulfide (H2S) 0 - 100 ppm, plug-in type, CT-7 style, cCSAus version	195.00

Replacement ESM-01 Toxic Sensors for S2 Series

<u>Part#</u>	<u>Description</u>	<u>Suggested Retail</u>
ESM-01R-D-NH3	Sensor, Ammonia (NH3), 0 - 75 ppm, ESM-01 plug-in type, for diffusion instruments	195.00
ESM-01DH-ASH3	Sensor, Arsine (AsH3), 0 - 1.50 ppm, ESM-01 plug-in type	195.00
ESM-K01-D-CL2	Sensor, Chlorine (Cl2), 0 - 3 ppm, ESM-01 plug-in diffusion type.....	195.00
ESM-01DH-D-HCN	Sensor, Hydrogen Cyanide (HCN), 0 - 15 ppm, ESM-01 plug-in type	195.00
ESM-01DH-PH3	Sensor, Phosphine (PH3), 0 - 1.0 ppm, ESM-01 plug-in type	195.00
ESM-01DH-D-SO2	Sensor, Sulfur Dioxide (SO2), 0 - 6 ppm, ESM-01 plug-in type	195.00

Fixed Systems Sensors & Transmitters

M2A Series Stand Alone Transmitter



ORDERING INFORMATION: All M2A pricing includes the sensor and explosion proof housing.

Explosion Proof M2A Assemblies

<u>Part#</u>	<u>Description</u>	<u>Suggested Retail</u>
65-2640RK	M2A, LEL 0-100% sensor (catalytic) / transmitter with j-box, (specify calibration), UL version	925.00
65-2640RK-05	M2A, LEL 0-100% sensor (catalytic) / transmitter with j-box, (specify calibration), cCSAus version	975.00
65-2641RK	M2A, Hydrogen (H2) specific LEL 0-100% sensor (catalytic) / transmitter with j-box, UL version	1,025.00
65-2641RK-05	M2A, Hydrogen (H2) specific LEL 0-100% sensor (catalytic) / transmitter with j-box, CSA version	1,040.00
65-2643RK-05	M2A, Oxygen (O2) 0-25%, sensor / transmitter with j-box, cCSAus version	1,000.00
65-2645RK-05	M2A, Hydrogen Sulfide (H2S) 0-100 ppm, sensor / transmitter with j-box, cCSAus version	1,050.00
65-2646RK-05	M2A, Carbon Monoxide (CO) 0-300 ppm, sensor / transmitter with j-box, cCSAus version	1,050.00
65-2649RK-CH4	M2A, IR Methane (CH4) LEL 0-100% sensor / transmitter, with j-box, cULus version	1,400.00
65-2649RK-HC	M2A, IR Hydrocarbons (isobutane) LEL 0-100% sensor / transmitter with j-box, cULus version	1,400.00
65-2658RK-CH4	M2A, IR Methane (CH4) vol 0-100% sensor / transmitter, with j-box, cULus version	1,500.00
65-2660RK-02	M2A, IR Carbon Dioxide (CO2) 0-5,000 ppm, sensor / transmitter with j-box, cULus version	1,450.00
65-2660RK-03	M2A, IR Carbon Dioxide (CO2) 0-5%, sensor / transmitter with j-box, cULus version	1,450.00
65-2660RK-05	M2A, IR Carbon Dioxide (CO2) 0-50%, sensor / transmitter with j-box, cULus version	1,450.00
65-2660RK-10	M2A, IR Carbon Dioxide (CO2) 0-100%, sensor / transmitter with j-box, cULus version	1,450.00

Remote Mount M2A with Calibration Adaptor / Splash Guard

<u>Part#</u>	<u>Description</u>	<u>Suggested Retail</u>
65-2640RK-04	M2A, LEL 0-100% sensor (catalytic) / transmitter with j-box, (specify calibration), remote detector and calibration adaptor/splash guard, UL version	1,085.00
65-2640RK-05-04	M2A, LEL 0-100% sensor (catalytic) / transmitter with j-box, (specify calibration), remote detector and calibration adaptor/splash guard, cCSAus version	1,160.00
65-2641RK-04	M2A, Hydrogen (H2) specific LEL 0-100% sensor (catalytic) / transmitter with j-box, remote detector and calibration adaptor/splash guard, UL version	1,175.00
65-2645RK-05-04	M2A, Hydrogen Sulfide (H2S) 0-100 ppm, sensor / transmitter with j-box, remote detector and calibration adaptor/splash guard, cCSAus version	1,225.00
65-2649RK-CH4-4	M2A, IR Methane (CH4) LEL 0-100% sensor / transmitter with j-box, remote detector and calibration adaptor/splash guard, cULus version	1,540.00
65-2649RK-HC-04	M2A, IR Hydrocarbons (isobutane) LEL 0-100% sensor / transmitter with j-box, remote detector and calibration adaptor/splash guard, cULus version	1,540.00
65-2658RK-CH4-4	M2A, IR Methane (CH4) vol 0-100% sensor / transmitter, with j-box, remote detector and calibration adaptor/splash guard, cULus version	1,590.00

65-2640RK-04



65-2649RK-CH4-4



Fixed Systems Sensors & Transmitters

Non Explosion Proof M2A Assemblies

<u>Part#</u>	<u>Description</u>	<u>Suggested Retail</u>
65-2648RK-NH3	M2A, Ammonia (NH3) 0-75 ppm, sensor / transmitter with j-box	1,100.00
65-2648RK-ASH3	M2A, Arsine (AsH3) 0-1.5 ppm, sensor / transmitter with j-box	1,100.00
65-2663RK	M2A, Carbon Monoxide (CO) 0-300 ppm, sensor / transmitter with j-box, non explosion proof	950.00
65-2648RK-HCN	M2A, Hydrogen Cyanide (HCN) 0-15 ppm, sensor / transmitter with j-box	1,100.00
65-2662RK	M2A, Hydrogen Sulfide (H2S) 0-100 ppm, sensor / transmitter with j-box, non explosion proof	950.00
65-2661RK-10	M2A, IR Carbon Dioxide (CO2) 0-100%, sensor / transmitter, non explosion proof with j-box	1,350.00
65-2661RK-02	M2A, IR Carbon Dioxide (CO2) 0-5,000 ppm, sensor / transmitter, non explosion proof with j-box	1,350.00
65-2661RK-03	M2A, IR Carbon Dioxide (CO2) 0-5%, sensor / transmitter, non explosion proof with j-box	1,350.00
65-2661RK-05	M2A, IR Carbon Dioxide (CO2) 0-50%, sensor / transmitter, non explosion proof with j-box	1,350.00
65-2666RK	M2A, Oxygen (O2) 0 - 25% sensor (capillary type) / transmitter with j-box (non explosion proof)	925.00
65-2644RK	M2A, Oxygen (O2) 0-25%, sensor / transmitter with j-box, partial pressure sensor	900.00
65-2648RK-PH3	M2A, Phosphine (PH3) 0-1 ppm, sensor / transmitter with j-box	1,100.00
65-2648RK-SO2	M2A, Sulfur Dioxide (SO2) 0-6 ppm, sensor / transmitter with j-box	1,100.00



Replacement Sensors For Explosion Proof M2A Series

<u>Part#</u>	<u>Description</u>	<u>Suggested Retail</u>
ES-1531-CO	Sensor, Carbon Monoxide (CO) 0 - 300 ppm, plug-in type, CT-7 style, cCSAus version	195.00
ES-1537-H2S	Sensor, Hydrogen Sulfide (H2S) 0 - 100 ppm, plug-in type, CT-7 style, cCSAus version	195.00
61-0191RK-10	Sensor, IR, Carbon Dioxide (CO2) 0 - 100%, explosion proof direct connection (no transmitter, no j-box), cULus version	800.00
61-0191RK-02	Sensor, IR, Carbon Dioxide (CO2) 0 - 5,000 ppm, explosion proof direct connection (no transmitter, no j-box), cULus version	800.00
61-0191RK-03	Sensor, IR, Carbon Dioxide (CO2) 0 - 5%, explosion proof direct connection (no transmitter, no j-box), cULus version	800.00
61-0191RK-05	Sensor, IR, Carbon Dioxide (CO2) 0 - 50%, explosion proof direct connection (no transmitter, no j-box), cULus version	800.00
61-0190RK-HC	Sensor, IR, Hydrocarbon (HC) 0 - 100% LEL, isobutane standard calibration, explosion proof direct connection, 3/4" NPT nipple (no transmitter, no j-box), cULus version	750.00
61-0190RK-CH4	Sensor, IR, Methane (CH4) 0 - 100% LEL, explosion proof direct connection, 3/4" NPT nipple (no transmitter, no j-box), cULus version	750.00
61-0192RK-CH4	Sensor, IR, Methane (CH4) 0 - 100% volume, explosion proof direct connection, 3/4" NPT nipple (no transmitter, no j-box), cULus version	800.00
61-0140RK-05	Sensor, LEL combustible (catalytic), direct connection (no transmitter, no j-box), cCSAus version	300.00
61-0140RK	Sensor, LEL combustible (catalytic), direct connection (no transmitter, no j-box), UL version	250.00
NC-6205-01	Sensor, LEL Hydrogen (H2) specific, 1/2 NPT, with guard, with silicone resistance, UL version, (no transmitter, no j-box)	400.00
NC-6205-05	Sensor, LEL Hydrogen (H2) specific, explosion proof direct connection, with silicone resistance, cCSAus version, (no transmitter, no j-box)	450.00
65-1025RK	Sensor, Oxygen (O2) 0 - 25%, capillary type, plug-in replacement for O2 assembly (65-2514RK & 65-2497RK)	140.00



Fixed Systems Sensors & Transmitters

Replacement Sensors For Non Explosion Proof M2A Series

Part#	Description	Suggested Retail
65-1025RK	Sensor, Oxygen (O2) 0 - 25%, capillary type, plug-in replacement for O2 assembly (65-2514RK & 65-2497RK)	140.00
65-2510RK	Sensor, Oxygen (O2) 0 -25%, non explosion proof direct connect, partial pressure type (no transmitter, no j-box)	250.00
ES-1537-H2S	Sensor, Hydrogen Sulfide (H2S) 0 - 100 ppm, plug-in type, CT-7 style	195.00
ES-1531-CO	Sensor, Carbon Monoxide (CO) 0 - 300 ppm, plug-in type, CT-7 style	195.00
61-5040RK-02	Sensor, IR Carbon Dioxide (CO2) 0-5,000 ppm, plug-in type, non-explosion proof	500.00
61-5040RK-03	Sensor, IR Carbon Dioxide (CO2) 0-5%, plug-in type, non-explosion proof.....	500.00
61-5040RK-05	Sensor, IR Carbon Dioxide (CO2) 0-50%, plug-in type, non-explosion proof	500.00
61-5040RK-10	Sensor, IR Carbon Dioxide (CO2) 0-100%, plug-in type, non-explosion proof.....	500.00



Replacement ESM-01 Toxic Sensors For Non Explosion Proof M2A Series

Part#	Description	Suggested Retail
ESM-01R-D-NH3	Sensor, Ammonia (NH3), 0 - 75 ppm, ESM-01 plug-in type, for diffusion instruments	195.00
ESM-01DH-ASH3	Sensor, Arsine (AsH3), 0 - 1.50 ppm, ESM-01 plug-in type	195.00
ESM-K01-D-CL2	Sensor, Chlorine (Cl2), 0 - 3 ppm, ESM-01 plug-in diffusion type.....	195.00
ESM-01DH-D-HCN	Sensor, Hydrogen Cyanide (HCN), 0 - 15 ppm, ESM-01 plug-in type	195.00
ESM-01DH-PH3	Sensor, Phosphine (PH3), 0 - 1.0 ppm, ESM-01 plug-in type	195.00
ESM-01DH-D-SO2	Sensor, Sulfur Dioxide (SO2), 0 - 6 ppm, ESM-01 plug-in type	195.00



M2A Replacement Parts & Accessories

Part#	Description	Suggested Retail
49-4000RK	AC Power supply assembly for M2/M2A, input 100 VAC to 240 VAC, output 24 VDC, mounted in 18-0400RK	195.00
49-4000RK-SS	AC Power supply assembly for M2/M2A stainless steel housing, input 100 VAC to 240 VAC, output 24 VDC, mounted in 18-0400RK	295.00
57-0075RK	Display assembly, LCD for M2 smart transmitter/Beacon 110	90.00
57-0150RK	Display assembly, OLED for M2A	90.00
82-0101RK	Magnetic wand, for M2A/M2 Transmitter, south pole	15.00

M2A Replacement Transmitters for Use with OLED Display

Part#	Description	Suggested Retail
57-1280RK-01	Terminal/relay board, potted, oxygen, M2A Transmitter, standard for OLED display	380.00
57-1280RK-02	Terminal/relay board, potted, CO, M2A Transmitter, standard for OLED display	380.00
57-1280RK-03	Terminal/relay board, potted, H2S, M2A Transmitter, standard for OLED display	380.00
57-1280RK-04	Terminal/relay board, potted, ASH3, M2A Transmitter, standard for OLED display.....	380.00
57-1280RK-06	Terminal/relay board, potted, NH3, M2A Transmitter, standard for OLED display	380.00
57-1280RK-08	Terminal/relay board, potted, pH3, M2A Transmitter, standard for OLED display	380.00
57-1280RK-09	Terminal/relay board, potted, SO2, M2A Transmitter, standard for OLED display	380.00
57-1280RK-11	Terminal/relay board, potted, HCN, M2A Transmitter, standard for OLED display	380.00
57-1281RK-01	Terminal/relay board, potted, LEL, M2A Transmitter, specify calibration gas _____, standard for OLED display	380.00
57-1281RK-02	Terminal/relay board, potted, LEL,H2 specific, M2A Transmitter, standard for OLED display	380.00
57-1281RK-05	Terminal/relay board, potted, LEL,IR HC sensor, M2A Transmitter, standard for OLED display	380.00
57-1281RK-06	Terminal/relay board, potted, IR CO2 sensor, 0 - 5,000 ppm, M2A Transmitter, standard for OLED display	380.00
57-1281RK-07	Terminal/relay board, potted, IR CO2 sensor, 0 - 5%, M2A Transmitter, standard for OLED display	380.00
57-1281RK-08	Terminal/relay board, potted, IR CO2 sensor, 0 - 50%, M2A Transmitter, standard for OLED display	380.00
57-1281RK-09	Terminal/relay board, potted, IR CO2 sensor, 0 - 100%, M2A Transmitter, standard for OLED display	380.00
57-1281RK-11	Terminal/relay board, potted, IR CH4 sensor, 0 - 100% volume, M2A Transmitter, standard for OLED display	380.00

Fixed Systems Sensors & Transmitters

M2A Replacement Transmitters for Use with LCD Display

Part#	Description	Suggested Retail
57-1280RK-101	Terminal/relay board, potted, oxygen, M2A Transmitter for LCD display, for M2 replacement	380.00
57-1280RK-102	Terminal/relay board, potted, CO, M2A Transmitter for LCD display, for M2 replacement	380.00
57-1280RK-103	Terminal/relay board, potted, H2S, M2A Transmitter for LCD display, for M2 replacement	380.00
57-1280RK-104	Terminal/relay board, potted, ASH3, M2A Transmitter for LCD display, for M2 replacement	380.00
57-1280RK-106	Terminal/relay board, potted, NH3, M2A Transmitter for LCD display, for M2 replacement	380.00
57-1280RK-108	Terminal/relay board, potted, pH3, M2A Transmitter for LCD display, for M2 replacement	380.00
57-1280RK-109	Terminal/relay board, potted, SO2, M2A Transmitter for LCD display, for M2 replacement	380.00
57-1280RK-111	Terminal/relay board, potted, HCN, M2A Transmitter for LCD display, for M2 replacement	380.00
57-1281RK-101	Terminal/relay board, potted, LEL, M2A Transmitter for LCD display,specify cal gas _____, for M2 replacement	380.00
57-1281RK-102	Terminal/relay board, potted, LEL,H2 specific, M2A Transmitter for LCD Display, for M2 replacement	380.00
57-1281RK-105	Terminal/relay board, potted, LEL,IR HC sensor, M2A Transmitter for LCD Display, for M2 replacement ...	380.00
57-1281RK-106	Terminal/relay board, potted, IR CO2 sensor, 0 - 5,000 ppm, M2A Transmitter for LCD Display, for M2 replacement	380.00
57-1281RK-107	Terminal/relay board, potted, IR CO2 sensor, 0 - 5%, M2A Transmitter for LCD Display, for M2 replacement	380.00
57-1281RK-108	Terminal/relay board, potted, IR CO2 sensor, 0 - 50%, M2A Transmitter for LCD Display, for M2 replacement	380.00
57-1281RK-109	Terminal/relay board, potted, IR CO2 sensor, 0 - 100%, M2A Transmitter for LCD Display, for M2 replacement	380.00
57-1281RK-111	Terminal/relay board, potted, IR CH4 sensor, 0 - 100% volume, M2A Transmitter for LCD Display, for M2 replacement	380.00

SD-1 Explosion Proof Transmitter

Part#	Description	Suggested Retail
SD-1GP-CH4	SD-1GP detector head, 0 - 100% LEL CH4, 4-20 mA transmitter	1,300.00
SD-1DGH-H500	SD-1GH detector head, 0-500 ppm Hexane, 4-20 mA transmitter with sample adapter	1,600.00
SD-1DRI-AS-IPA	SD-1DRI-AS detector head, 0 - 100% LEL IPA, 4-20 mA transmitter, air aspirator type	4,150.00
SD-1DRI-IC4H10	SD-1DRI detector head, 0 - 100% LEL isobutane, 4-20 mA transmitter with sample adapter	2,800.00
SD-1GH-ACN	SD-1GH detector head, 0-100 ppm ACN (acrylonitrile), 4-20 mA transmitter	1,350.00
SD-1GP-ACN	SD-1GP detector head, 0 - 100% LEL ACN (acrylonitrile), 4-20 mA transmitter	1,295.00
SD-1GH-EO-1K	SD-1GH detector head, 0-1000 ppm ethylene oxide, 4-20 mA transmitter	1,350.00
SD-2500-NMP	SD-2500-NMP transmitter, 0 - 100 %LEL NMP (n-methyl pyrrolodone)	8,500.00



Fixed Systems Sensors & Transmitters

GD-70D Sample Drawing Sensor / Transmitter For Toxic Gases



Standard Versions

Part#	Description	Suggested Retail
GD-70D-LEL-CH4	Smart transmitter, GD-70D for Methane (CH4), 0-100% LEL	1,395.00
GD-70D-LEL-H2	Smart transmitter, GD-70D for Hydrogen (H2), 0-100% LEL	1,395.00
GD-70D-MOS-XXX	Smart transmitter, GD-70D with metal oxide sensor, (specify gas & range)	1,495.00
GD-70D-NS	Smart transmitter, GD-70D toxic gas monitor with no sensor	1,000.00
GD-70D-OXY-EC	Smart transmitter, GD-70D for Oxygen (O2), 0-25%	1,495.00
GD-70D-XXX	Smart transmitter, GD-70D toxic gas monitor (XXX denotes the gas, see chart below)	1,495.00
GD-70DP-NF3	Smart transmitter, GD-70D for Nitrogen Trifluoride (NF3), 0-30 ppm, includes pyrolyzer	2,245.00
GD-70DP-TEOS	Smart transmitter, GD-70D for TEOS, 0-15 ppm, includes pyrolyzer	2,245.00
PLU-70	Pyrolyzer unit only for GD-70D	750.00

LonWorks Versions

LonWorks is a networking platform used by the GD-70D to communicate readings and alarms between a PLC and the transmitter.

Part#	Description	Suggested Retail
GD-70DLN-LEL-CH4	Smart transmitter, GD-70D for Methane (CH4), 0-100% LEL with LonWorks	1,650.00
GD-70DLN-LEL-H2	Smart transmitter, GD-70D for Hydrogen (H2), 0-100% LEL with LonWorks	1,650.00
GD-70DLN-MOS	Smart transmitter, GD-70D with MOS sensor, (specify gas & range), with LonWorks	1,750.00
GD-70DLN-OXY-EC	Smart transmitter, GD-70D for Oxygen (O2) 0-25%, with LonWorks	1,750.00
GD-70DLN-XXX	Smart transmitter, GD-70D toxic gas monitor with LonWorks (XXX denotes the gas)	1,750.00
GD-70DPLN-NF3	Smart transmitter, GD-70D for Nitrogen Trifluoride, 0-30 ppm, includes pyrolyzer, with LonWorks	2,500.00
GD-70DPLN-TEOS	Smart transmitter, GD-70D for TEOS, 0-15 ppm, includes pyrolyzer, with LonWorks	2,500.00

GD-70D Toxic Gases & Ranges		
Measurable Gases	Range	Part #
Ammonia	75 ppm	GD-70D-NH3
Arsine	0.2 / 1.5 ppm	GD-70D-ASH3
Boron Trichloride	15 ppm	GD-70D-BCI3
Boron Trifluoride	9 ppm	GD-70D-BF3
Bromine	1 ppm	GD-70D-BR2
Carbon Monoxide	75 ppm (ESU-23)	GD-70D-CO-02
Carbon Monoxide	75 ppm (ESU-231)	GD-70D-CO-12
Carbon Monoxide	150 ppm (ESU-23)	GD-70D-CO-01
Carbon Monoxide	150 ppm (ESU-231)	GD-70D-CO-11
Carbon Monoxide	300 ppm (ESU-23)	GD-70D-CO-03
Carbon Monoxide	300 ppm (ESU-231)	GD-70D-CO-13
Chlorine	3 ppm	GD-70D-CL2
Chlorine Trifluoride	0.6 ppm	GD-70D-CLF3-A
Diborane	0.3 ppm	GD-70D-B2H6
Dichlorosilane	15 ppm	GD-70D-DCS
Diethylamine	15 ppm	GD-70D-DEA
Dimethylamine	15 ppm	GD-70D-DMA
Disilane	15 ppm	GD-70D-SI2H6
Fluorine	3 ppm	GD-70D-F2
Germane	0.8 ppm	GD-70D-GEH4
Hydrogen Bromide	6 / 9 ppm	GD-70D-HBR-06 / -09
Hydrogen Chloride	6 / 15 ppm	GD-70D-HCL-06E / 15E
Hydrogen Cyanide	15 ppm	GD-70D-HCN
Hydrogen Fluoride	3 / 9 ppm	GD-70D-HF-03 / -09
Hydrogen Selenide	0.2 ppm	GD-70D-H2SE
Hydrogen Sulfide	1 / 30 ppm	GD-70D-H2S-01 / -30
Nitric Oxide	100 ppm	GD-70D-NO
Nitrogen Dioxide	9 / 15 ppm	GD-70D-NO2-09 / -15
Nitrogen Tetraoxide	15 PPM	GD-70D-N2O4
Ozone	0.6 ppm	GD-70D-O3
Phosphine	1 ppm (ESU-23AH)	GD-70D-PH3-AH
Phosphine	1 ppm (ESU-23DH)	GD-70D-PH3-DH
Silane	15 ppm (ESU-23AH)	GD-70D-SiH4-AH
Silane	15 ppm (ESU-23DH)	GD-70D-SiH4-DH
Silicon Tetrachloride	15 ppm	GD-70D-SiCl4
Silicon Tetrafluoride	9 ppm	GD-70D-SiF4
Sulfur Dioxide	6 ppm	GD-70D-SO2
Sulfur Tetrafluoride	9 ppm	GD-70D-SF4
Tetraethyl Orthosilicate	15 ppm	GD-70D-TEOS
Trichlorosilane	15 ppm	GD-70D-TCS
Trimethylamine	15 ppm	GD-70D-TMA
Tungsten Hexafluoride	9 ppm	GD-70D-WF6

GD-70D MOS Gases & Ranges		
Measurable Gases	Range	Part #
1,1 Dichloroethylene (DCE)	600 ppm	GD-70D-MDCE
Dichloromethane (DME)	2,000 ppm	GD-70D-MDCM
Hydrogen	500 ppm	GD-70D-MH2-S500
Hydrogen	1,000 ppm	GD-70D-MH2-S1K
Hydrogen	2,000 ppm	GD-70D-MH2-S2K
Hydrogen	2% vol	GD-70D-MH2-20K
Isopropyl Alcohol	2,000 ppm	GD-70D-MIPA-2K
Methane	2,000 ppm	GD-70D-MCH4-2K
Methane	5,000 ppm	GD-70D-MCH4-5K
Methane	2% vol	GD-70D-MCH4-20K
Methanol	1,000 ppm	GD-70D-MCH3OH-1
Methanol	2,000 ppm	GD-70D-MCH3OH-2
Propane	2,000 ppm	GD-70D-MC3H8-2K
Propane	5,000 ppm	GD-70D-MC3H8-5K
R-32	2,000 ppm	GD-70D-MR32
R-41	2,000 ppm	GD-70D-MR41

GD-70D LEL (catalytic) & O2 Gases & Ranges		
Measurable Gases	Range	Part #
Hydrogen	100% LEL	GD-70D-LEL-H2
Hydrogen	2% vol	GD-70D-H2-20K
Isobutane	100% LEL	GD-70D-ISOB
Methane	100% LEL	GD-70D-LEL-CH4
Methane	2% vol	GD-70D-CH4-20K
Oxygen	25% vol	GD-70D-OXY-EC

Fixed Systems Sensors & Transmitters

GD-70D Replacement Parts

Replacement Parts

Part#	Description	Suggested Retail
30-1020RK	Pump, RP-70 for GD-70D	55.00
31-1011-01	Flow sensor for GD-70D	80.00



GD-70D Replacement Catalytic / Oxygen / TEOS Sensors

Part#	Description	Suggested Retail
ESU-X23-OXY	Smart transmitter, GD-70D for Oxygen (O2), 0-25% with EC sensor	495.00
NCU-6211-C4H10	Sensor, Isobutane (iC4H10) 0-100% LEL, sensor unit	395.00
NCU-6211-H2	Sensor, Hydrogen (H2) 0-100% LEL, sensor unit	395.00
NCU-6211-H2-20K	Sensor, Hydrogen (H2) 0-2% volume, sensor unit.....	395.00
NCU-6213-CH4	Sensor, Methane (CH4) 0-100% LEL, sensor unit	395.00
SSU-TEOS	Sensor, TEOS 0-15 ppm, ionization sensor unit.....	495.00



GD-70D Replacement EC Toxic Sensors

Part#	Description	Suggested Retail
ESU-23R-NH3	Sensor, Ammonia (NH3), 0-75 ppm, sensor/amp unit for GD-70D	495.00
ESU-23AHS-ASH3	Sensor, Arsine (AsH3), 0-0.20 ppm, sensor/amp unit for GD-70D	495.00
ESU-K233-BR2	Sensor, Bromine (Br2), 0-1.0 ppm, sensor/amp unit for GD-70D	495.00
ESU-23-CO-150	Sensor, Carbon Monoxide (CO), 0-150 ppm, sensor/amp unit for GD-70D	495.00
ESU-K233-CL2	Sensor, Chlorine (Cl2), 0-3.0 ppm, sensor/amp unit for GD-70D	495.00
ESU-K233CS-CLFA	Sensor, Chlorine Trifluoride (ClF3), 0-0.60 ppm, sensor/amp unit for GD-70D	495.00
ESU-23AY-B2H6	Sensor, Diborane (B2H6), 0-0.30 ppm, sensor/amp unit for GD-70D	495.00
ESU-23RV-DEA	Sensor, Diethylamine (C2H5)2NH, 0-15.00 ppm, sensor/amp unit for GD-70D	495.00
ESU-23RV-DMA	Sensor, Dimethylamine (CH3)2NH, 0-15.00 ppm, sensor/amp unit for GD-70D	495.00
ESU-23DH-Si2H6	Sensor, Disilane (Si2H6), 0-15 ppm, sensor/amp unit for GD-70D (with H2 response)	495.00
ESU-K233-F2	Sensor, Fluorine (F2), 0-3.0 ppm, sensor/amp unit for GD-70D	495.00
ESU-23DH-GEH4	Sensor, Germane (GeH4), 0-0.80 ppm, sensor/amp unit for GD-70D	495.00
ESU-23E-N2H4	Sensor, Hydrazine (N2H4), 0-5.00 ppm, sensor/amp unit for GD-70D	495.00
ESU-23E-HBR-06	Sensor, Hydrogen Bromide (HBr), 0-6.00 ppm, sensor/amp unit for GD-70D	495.00
ESU-23E-HBR-09	Sensor, Hydrogen Bromide (HBr), 0-9.00 ppm, sensor/amp unit for GD-70D	495.00
ESU-23E-HCL-15	Sensor, Hydrogen Chloride (HCl), 0-15 ppm, sensor/amp unit for GD-70D (standard range)	495.00
ESU-23E-HCL-06	Sensor, Hydrogen Chloride (HCl), 0-6.00 ppm, sensor/amp unit for GD-70D	495.00
ESU-23DH-HCN	Sensor, Hydrogen Cyanide (HCN), 0-15 ppm, sensor/amp unit for GD-70D	495.00
ESU-K233-HF-09	Sensor, Hydrogen Fluoride (HF), 0-9.0 ppm, sensor/amp unit for GD-70D	495.00
ESU-23SD-H2SE	Sensor, Hydrogen Selenide (H2Se), 0-0.20 ppm, sensor/amp unit for GD-70D	495.00
ESU-237IF-H2S	Sensor, Hydrogen Sulfide (H2S), 0-1.0 ppm, sensor/amp unit for GD-70D	495.00
ESU-237-H2S	Sensor, Hydrogen Sulfide (H2S), 0-30 ppm, sensor/amp unit for GD-70D	495.00
ESU-23RV-CH3NH2	Sensor, Methylamine (CH3NH2), 0-15 ppm, sensor/amp unit for GD-70D	495.00
ESU-K233-HNO3	Sensor, Nitric Acid (HNO3), 0-20.0 ppm, sensor/amp unit for GD-70D	495.00
ESU-23A-NO	Sensor, Nitric Oxide (NO), 0-100 ppm, sensor/amp unit for GD-70D	495.00
ESU-23AH-NO2-15	Sensor, Nitrogen Dioxide (NO2), 0-15 ppm, sensor/amp unit for GD-70D	495.00
ESU-23AH-NO2-09	Sensor, Nitrogen Dioxide (NO2), 0-9 ppm, sensor/amp unit for GD-70D	495.00
ESU-23AH-D-NF3	Sensor, Nitrogen Trifluoride (NF3), 0-30 ppm, sensor/amp unit for GD-70D	495.00
ESU-K239C-S-O3	Sensor, Ozone (O3), 0-0.60 ppm, sensor/amp unit for GD-70D	495.00
ESU-K239C-S-O31	Sensor, Ozone (O3), 0-1.00 ppm, sensor/amp unit for GD-70D	495.00
ESU-23AH-PH3	Sensor, Phosphine (PH3), 0-1.0 ppm, sensor/amp unit for GD-70D (no H2 response)	495.00
ESU-23DH-PH3	Sensor, Phosphine (PH3), 0-1.0 ppm, sensor/amp unit for GD-70D (with H2 response).....	495.00
ESU-23AH-SiH4	Sensor, Silane (SiH4), 0-15 ppm, sensor/amp unit for GD-70D (no H2 response)	495.00
ESU-23DH-SiH4	Sensor, Silane (SiH4), 0-15 ppm, sensor/amp unit for GD-70D (with H2 response).....	495.00
ESU-238-SO2	Sensor, Sulfur Dioxide (SO2), 0-6.0 ppm, sensor/amp unit for GD-70D	495.00
ESU-23RV-TMA	Sensor, Trimethylamine ((CH3)3N), 0-15 ppm, sensor/amp unit for GD-70D	495.00

Fixed Systems Sensors & Transmitters

GD-70D Replacement MOS Sensors

Part#	Description	Suggested Retail
SGU-8521-ACE-1K	Sensor, Acetone (C3H6O), 0-1000 ppm, MOS sensor/amp unit for GD-70D	495.00
SGU-8521-CH3CN	Sensor, Acetonitrile (CH3CN), 0 - 2,000 ppm, MOS sensor/amp unit for GD-70D	495.00
SGU-8521-C2H2-2	Sensor, Acetylene (CH2H2), 0 - 2,000 ppm, MOS sensor/amp unit for GD-70D	495.00
SGU-8562-COS-2K	Sensor, Carbonyl sulfide (COS), 0 - 2000 ppm, MOS sensor/amp unit for GD-70D	495.00
SGU-8513-DCE-6	Sensor, Dichloroethene (C2H2Cl2), 0 - 600 ppm, MOS sensor/amp unit for GD-70D	495.00
SGU-8513-DCE-7	Sensor, Dichloroethene (C2H2Cl2), 0 - 600 ppm, MOS sensor/amp unit for GD-70D	495.00
SGU-8523-DCM-2K	Sensor, Dichloromethane (DCM), 0-2000 ppm, MOS sensor/amp unit for GD-70D	495.00
SGU-8521-R32-2K	Sensor, Difluoromethane (CH2F2), 0-2000 ppm, MOS sensor/amp unit for GD-70D	495.00
SGU-8521-R32-9K	Sensor, Difluoromethane (CH2F2), 0-9000 ppm, MOS sensor/amp unit for GD-70D	495.00
SGU-8521-C2H4-2	Sensor, Ethylene (CH2H4), 0 - 2,000 ppm, MOS sensor/amp unit for GD-70D.....	495.00
SGU-8521-R41-2K	Sensor, Fluoromethane (CH3OH), 0-2000 ppm, MOS sensor/amp unit for GD-70D	495.00
SGU-8521-C4F6A	Sensor, Hexafluorobutadiene (C4F6), 0 - 200 ppm, MOS sensor/amp unit for GD-70D	495.00
SGU-8541-H2-500	Sensor, Hydrogen (H2) specific, 0 - 500 ppm, MOS sensor/amp unit for GD-70D	495.00
SGU-8521-H2-500	Sensor, Hydrogen (H2), 0 - 500 ppm, MOS sensor/amp unit for GD-70D	495.00
SGU-8521-H2-1K	Sensor, Hydrogen (H2), 0-1000 ppm, MOS sensor/amp unit for GD-70D	495.00
SGU-8541-H2-1K	Sensor, Hydrogen (H2), 0-1000 ppm, MOS sensor/amp unit for GD-70D	495.00
SGU-8511-H2-20K	Sensor, Hydrogen (H2), 0-2.0% vol, MOS sensor/amp unit for GD-70D	495.00
SGU-8541-H2-2K	Sensor, Hydrogen (H2), 0-2000 ppm, MOS sensor/amp unit for GD-70D	495.00
SGU-8541-H2-4K	Sensor, Hydrogen (H2), 0-4000 ppm, MOS sensor/amp unit for GD-70D	495.00
SGU-8521-IPA-2K	Sensor, Isopropylalcohol (CH3CHOHCH3), 0-2000 ppm, MOS sensor/amp unit for GD-70D	495.00
SGU-8511-CH4-5K	Sensor, Methane (CH4), 0 - 5000 ppm, MOS sensor/amp unit for GD-70D	495.00
SGU-8511-CH4-20	Sensor, Methane (CH4), 0-2.0% vol, MOS sensor/amp unit for GD-70D	495.00
SGU-8581-CH4-2K	Sensor, Methane (CH4), 0-2000 ppm, MOS sensor/amp unit for GD-70D	495.00
SGU-8521-MET-1K	Sensor, Methanol (CH3OH), 0-1000 ppm, MOS sensor/amp unit for GD-70D	495.00
SGU-8521-MET-2K	Sensor, Methanol (CH3OH), 0-2000 ppm, MOS sensor/amp unit for GD-70D	495.00
SGU-8511-C3H8-2	Sensor, Propane (C3H8), 0 - 2000 ppm, MOS sensor/amp unit for GD-70D.....	495.00
SGU-8511-C3H8-5	Sensor, Propane (C3H8), 0 - 5000 ppm, MOS sensor/amp unit for GD-70D.....	495.00
SGU-8511-C3H6-2	Sensor, Propylene (C3H6), 0 - 2000 ppm, MOS sensor/amp unit for GD-70D	495.00
SGU-8511-C3H6-5	Sensor, Propylene (C3H6), 0 - 5000 ppm, MOS sensor/amp unit for GD-70D	495.00

Notes

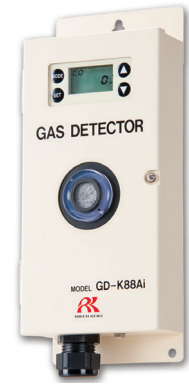
- Consult factory for additional PPM ranges available.

GD-70D with Pyrolyzer



Fixed Systems Sensors & Transmitters

GD-K88Ai Diffusion Sensor / Transmitter For Toxic Gases With Display



<u>Part#</u>	<u>Description</u>	<u>Suggested Retail</u>
GD-K88Ai-NH3	Smart transmitter, GD-K88Ai, Ammonia (NH3), 0-75 ppm, IS type	1,250.00
GD-K88Ai-ASH3	Smart transmitter, GD-K88Ai, Arsine (AsH3), 0-0.2 ppm, IS type	1,250.00
GD-K88Ai-BCL3	Smart transmitter, GD-K88Ai, Boron Trichloride (BCl3), 0-15 ppm (HCl), IS type	1,250.00
GD-K88Ai-BF3	Smart transmitter, GD-K88Ai, Boron Trifluoride (BF3), 0-9 ppm (HF), IS type	1,250.00
GD-K88Ai-BTBAS	Smart transmitter, GD-K88Ai, BTBAS, 0-15 ppm, IS type	1,250.00
GD-K88Ai-CO	Smart transmitter, GD-K88Ai, Carbon Monoxide (CO), 0-150 ppm, IS type	1,250.00
GD-K88Ai-CL2	Smart transmitter, GD-K88Ai, Chlorine (Cl2), 0-3.00 ppm, IS type	1,250.00
GD-K88Ai-CLF3	Smart transmitter, GD-K88Ai, Chlorine Trifluoride (ClF3), 0-0.6 ppm, IS type	1,250.00
GD-K88Ai-B2H6	Smart transmitter, GD-K88Ai, Diborane (B2H6), 0-0.3 ppm, IS type	1,250.00
GD-K88Ai-Si2H6	Smart transmitter, GD-K88Ai, Disilane (Si2H6), 0-15 ppm, IS type	1,250.00
GD-K88Ai-F2	Smart transmitter, GD-K88Ai, Fluorine (F2), 0-3 ppm, IS type	1,250.00
GD-K88Ai-HBR	Smart transmitter, GD-K88Ai, Hydrogen Bromide (HBr), 0-9 ppm, IS type	1,250.00
GD-K88Ai-HCL15E	Smart transmitter, GD-K88Ai, Hydrogen Chloride (HCl), 0-15 ppm, with ES-23E sensor, IS type	1,250.00
GD-K88Ai-HF	Smart transmitter, GD-K88Ai, Hydrogen Fluoride (HF), 0-9 ppm, IS type	1,250.00
GD-K88Ai-H2S-01	Smart transmitter, GD-K88Ai, Hydrogen Sulfide (H2S), 0-1 ppm, IS type	1,250.00
GD-K88Ai-H2S-30	Smart transmitter, GD-K88Ai, Hydrogen Sulfide (H2S), 0-30 ppm, IS type	1,250.00
GD-K88Di-O3-06	Smart transmitter, GD-K88Ai, Ozone (O3), 0-0.6 ppm, IS type, sample draw	2,295.00
GD-K88Di-O3-10	Smart transmitter, GD-K88Ai, Ozone (O3), 0-1 ppm, IS type, sample draw	2,295.00
GD-K88Ai-O3-10	Smart transmitter, GD-K88Ai, Ozone (O3), 0-1 ppm, IS type	1,250.00
GD-K88Ai-PH3	Smart transmitter, GD-K88Ai, Phosphine (PH3), 0-1 ppm, IS type	1,250.00
GD-K88Ai-SiH4-AH	Smart transmitter, GD-K88Ai, Silane (SiH4), 0-15 ppm, AH sensor, low H2 response, IS type	1,250.00
GD-K88Ai-SiH4-DH	Smart transmitter, GD-K88Ai, Silane (SiH4), 0-15 ppm, DH sensor, with H2 response, IS type	1,250.00
GD-K88Ai-WF6	Smart transmitter, GD-K88Ai, Tungsten Hexafluoride (WF6), 0-9 ppm (HF), IS type	1,250.00

Replacement Sensors

<u>Part#</u>	<u>Description</u>	<u>Suggested Retail</u>
ESM-23R-NH3	Sensor, Ammonia (NH3), 0-75 ppm, for GD-K88Ai, GD-K71D, GD-K77D, and SC-8000	480.00
ESM-23RH-NH3	Sensor, Ammonia (NH3), 0-75 ppm, for GD-K88Ai, GD-K71D, GD-K77D, and SC-8000, high humidity use	480.00
ESM-23AHS-ASH3	Sensor, Arsine (AsH3), 0-0.2 ppm, for GD-K88Ai, GD-K71D, GD-K77D, and SC-8000	480.00
ESM-23-CO	Sensor, Carbon Monoxide (CO), 0-150 ppm, for GD-K88Ai, GD-K71D, GD-K77D, and SC-8000	480.00
ESM-K233-CL2	Sensor, Chlorine (Cl2), 0-3 ppm, for GD-K88Ai, GD-K71D, GD-K77D, and SC-8000	480.00
ESM-K233CS-CLFC	Sensor, Chlorine Trifluoride (ClF3), 0-0.6 ppm, for GD-K88Ai, GD-K71D, GD-K77D, and SC-8000 (no acid gas sensitivity)	480.00
ESM-23AY-B2H6	Sensor, Diborane (B2H6), 0-0.3 ppm, for GD-K88Ai, GD-K71D, GD-K77D, and SC-8000	480.00
ESM-23DH-Si2H6	Sensor, Disilane (Si2H6), 0-15 ppm, for GD-K88Ai, GD-K71D, GD-K77D, and SC-8000	480.00
ESM-K233-F2	Sensor, Fluorine (F2), 0-3 ppm, for GD-K88Ai, GD-K71D, GD-K77D, and SC-8000	480.00
ESM-23DH-GEH4	Sensor, Germane (GeH4), 0-0.8 ppm, for GD-K88Ai, GD-K71D, GD-K77D, and SC-8000	480.00
ESM-23E-HBR	Sensor, Hydrogen Bromide (HBr), 0-9 ppm, for GD-K88Ai, GD-K71D or GD-K77D	480.00
ESM-23E-HCL	Sensor, Hydrogen Chloride (HCl), 0-15 ppm, (with H2 response) for GD-K88Ai, GD-K71D, GD-K77D, and SC-8000	480.00
ESM-K233-HCL	Sensor, Hydrogen Chloride (HCl), 0-15 ppm, for GD-K88Ai, GD-K71D, GD-K77D, and SC-8000	480.00
ESM-23DH-HCN	Sensor, Hydrogen Cyanide (HCN), 0-30 ppm, for GD-K88Ai, GD-K71D, GD-K77D, and SC-8000	480.00
ESM-K233-HF	Sensor, Hydrogen Fluoride (HF), 0-9 ppm, for GD-K88Ai, GD-K71D, GD-K77D, and SC-8000	480.00
ESM-23DH-MS	Sensor, Methyl Silane (CH3SiH3), 0-20 ppm, for GD-K88Ai, GD-K71D, GD-K77D, and SC-8000	480.00
ESM-23AH-NO2	Sensor, Nitrogen Dioxide (NO2), 0-15 ppm, for GD-K88Ai, GD-K71D, GD-K77D, and SC-8000	480.00
ESM-K239C-O3	Sensor, Ozone (O3), 0-1.0 ppm, for GD-K88Ai, GD-K71D, GD-K77D, and SC-8000	480.00
ESM-23AH-PH3	Sensor, Phosphine (PH3), 0-1 ppm, for GD-K88Ai, GD-K71D, GD-K77D, and SC-8000	480.00
ESM-23DH-SiH4	Sensor, Silane (SiH4), 0-15 ppm, for GD-K88Ai, GD-K71D, GD-K77D, and SC-8000, with H2 response	480.00
ESM-23AH-SiH4	Sensor, Silane (SiH4), 0-15 ppm, low H2 response, for GD-K88Ai, GD-K71D, GD-K77D, and SC-8000	480.00
ESM-23E-SO2	Sensor, Sulfur Dioxide (SO2), 0-30 ppm, for GD-K88Ai, GD-K71D, GD-K77D, and SC-8000	480.00
ESM-238-SO2	Sensor, Sulfur Dioxide (SO2), 0-6 ppm, for GD-K71D, GD-K77D, and SC-8000	480.00

Fixed Systems Sensors & Transmitters

GD-K88Ai Diffusion Sensor / Transmitter For Toxic Gases With Display

Accessories

Part#	Description	Suggested Retail
21-0401	Housing, polycarbonate with clear cover for up to 4 MTL5500 series barriers	460.00
21-0402	Housing, polyester with clear cover for up to 10 MTL5500 series barriers	1,300.00
43-7013	IS Barrier, isolator, 2- or 3-wire 4-20 mA transmitter or HART, MTL5541	750.00

Notes

- The previously listed gases can be detected with the GD-K88Ai, however a sample drawing system is recommended for: BCl₃, HBr, HCl, HCN, and O₃.

Fixed Systems Specialty Products

OX-600 Indoor Stand Alone Oxygen Monitor Alkaline



Part#	Description	Suggested Retail
72-1004	OX-600 oxygen monitor, 0-25%, battery operated (2 AA batteries)	740.00
72-1004-03	OX-600 oxygen monitor, 0-25%, battery operated (2 AA batteries) with 3 meter sensor cable installed	880.00
72-1004-05	OX-600 oxygen monitor, 0-25%, battery operated (2 AA batteries) with 5 meter sensor cable installed	900.00
72-1004-10	OX-600 oxygen monitor, 0-25%, battery operated (2 AA batteries) with 10 meter sensor cable installed	940.00
72-1004-20	OX-600 oxygen monitor, 0-25%, battery operated (2 AA batteries) with 20 meter sensor cable installed	1,040.00

OX-600 Indoor Stand Alone Oxygen Monitor 24 VDC

Part#	Description	Suggested Retail
72-1005	OX-600 oxygen monitor, 0-25%, 24 VDC operation	740.00
72-1005-03	OX-600 oxygen monitor, 0-25%, 24 VDC operation with 3 meter sensor cable	880.00
72-1005-05	OX-600 oxygen monitor, 0-25%, 24 VDC operation with 5 meter sensor cable	900.00
72-1005-10	OX-600 oxygen monitor, 0-25%, 24 VDC operation with 10 meter sensor cable	940.00
72-1005-20	OX-600 oxygen monitor, 0-25%, 24 VDC operation with 20 meter sensor cable	1,040.00

OX-600 Indoor Stand Alone Oxygen Monitor 115 VAC *

Part#	Description	Suggested Retail
72-1006	OX-600 oxygen monitor, 0-25%, 115 VAC operation	740.00
72-1006-03	OX-600 oxygen monitor, 0-25%, 115 VAC operation with 3 meter sensor cable	880.00
72-1006-05	OX-600 oxygen monitor, 0-25%, 115 VAC operation with 5 meter sensor cable	900.00
72-1006-10	OX-600 oxygen monitor, 0-25%, 115 VAC operation with 10 meter sensor cable	940.00
72-1006-20	OX-600 oxygen monitor, 0-25%, 115 VAC operation with 20 meter sensor cable	1,040.00

Replacement Parts & Accessories

Part#	Description	Suggested Retail
21-1927	Mounting plate for instrument removal, OX-600 (optional for alkaline version only)	12.00
47-1556-03	Extender cable with remote box, 3 meter, OX-600	140.00
47-1556-05	Extender cable with remote box, 5 meter, OX-600	160.00
47-1556-10	Extender cable with remote box, 10 meter, OX-600	200.00
47-1556-20	Extender cable with remote box, 20 meter, OX-600	300.00
81-1153	Cal cup for OX-600 / EC-600	45.00
OS-BM1D	Sensor, Oxygen (O2), OS-BM1D for OX-600	150.00

Calibration Kits

Instrument #	Cal-Kit Part #	Cal-Kit Description	Price
72-1004 72-1005 72-1006	81-OX600-LV	Cal Kit, fixed for OX-600, 100% N2, reg with gauge & knob, cal cup, case & tubing	250.00

* **Note:** 115 VAC version is not available in Canada.

Fixed Systems Specialty Products

EC-600 Indoor Stand Alone Carbon Monoxide Monitor Alkaline

<u>Part#</u>	<u>Description</u>	<u>Suggested Retail</u>
73-1202	EC-600 carbon monoxide monitor, 0-150 ppm, battery operated (2 AA batteries)	895.00
73-1202-03	EC-600 carbon monoxide monitor, 0-150 ppm, battery operated (2 AA batteries) with 3 meter sensor cable installed	1,035.00
73-1202-05	EC-600 carbon monoxide monitor, 0-150 ppm, battery operated (2 AA batteries) with 5 meter sensor cable installed	1,055.00
73-1202-10	EC-600 carbon monoxide monitor, 0-150 ppm, battery operated (2 AA batteries) with 10 meter sensor cable installed	1,095.00
73-1202-20	EC-600 carbon monoxide monitor, 0-150 ppm, battery operated (2 AA batteries) with 20 meter sensor cable installed	1,195.00



EC-600 Indoor Stand Alone Carbon Monoxide Monitor 24 VDC

<u>Part#</u>	<u>Description</u>	<u>Suggested Retail</u>
73-1203	EC-600 carbon monoxide monitor, 0-150 ppm, 24 VDC operation	895.00
73-1203-03	EC-600 carbon monoxide monitor, 0-150 ppm, 24 VDC operation with 3 meter sensor cable	1,035.00
73-1203-05	EC-600 carbon monoxide monitor, 0-150 ppm, 24 VDC operation with 5 meter sensor cable	1,055.00
73-1203-10	EC-600 carbon monoxide monitor, 0-150 ppm, 24 VDC operation with 10 meter sensor cable	1,095.00
73-1203-20	EC-600 carbon monoxide monitor, 0-150 ppm, 24 VDC operation with 20 meter sensor cable	1,195.00

EC-600 Indoor Stand Alone Carbon Monoxide Monitor 115 VAC *

<u>Part#</u>	<u>Description</u>	<u>Suggested Retail</u>
73-1204	EC-600 carbon monoxide monitor, 0-150 ppm, 115 VAC operation	895.00
73-1204-03	EC-600 carbon monoxide monitor, 0-150 ppm, 115 VAC operation with 3 meter sensor cable.....	1,035.00
73-1204-05	EC-600 carbon monoxide monitor, 0-150 ppm, 115 VAC operation with 5 meter sensor cable.....	1,055.00
73-1204-10	EC-600 carbon monoxide monitor, 0-150 ppm, 115 VAC operation with 10 meter sensor cable	1,095.00
73-1204-20	EC-600 carbon monoxide monitor, 0-150 ppm, 115 VAC operation with 20 meter sensor cable	1,195.00

Replacement Parts & Accessories

<u>Part#</u>	<u>Description</u>	<u>Suggested Retail</u>
21-1927	Mounting plate for instrument removal, OX-600 (optional for alkaline version only)	12.00
33-7101RK	Charcoal Filter for CO sensor (GX-82A/-86A), fixed system CO sensors	6.00
47-1556-03	Extender cable with remote box, 3 meter, OX-600	140.00
47-1556-05	Extender cable with remote box, 5 meter, OX-600	160.00
47-1556-10	Extender cable with remote box, 10 meter, OX-600	200.00
47-1556-20	Extender cable with remote box, 20 meter, OX-600	300.00
81-1153	Cal cup for OX-600	45.00
ES-031M-CO	Sensor, Carbon Monoxide (CO), 0 - 1,000 ppm for RX-515	225.00

Calibration Kits

<u>Instrument #</u>	<u>Cal-Kit Part #</u>	<u>Cal-Kit Description</u>	<u>Price</u>
73-1202 73-1203 73-1204	81-EC600-LV	Cal Kit, fixed for EC-600, 34L cyl 50 ppm CO in N2, reg with gauge & knob, cal cup, case & tubing	300.00

* **Note:** 115 VAC version is not available in Canada.

Fixed Systems Specialty Products

M - Series Low Cost Transmitter

ORDERING INFORMATION: The M-Series pricing includes the plastic enclosure and sensor.

<u>Part#</u>	<u>Description</u>	<u>Suggested Retail</u>
65-2424RK	Hydrogen Sulfide (H2S) sensor / transmitter in plastic enclosure (non explosion proof)	295.00
65-2434RK	Carbon Monoxide (CO) sensor / transmitter in plastic enclosure (non explosion proof)	295.00



Replacement Sensors Only

ES-1531-CO	Sensor, Carbon Monoxide (CO) 0 - 300 ppm, plug-in type, CT-7 style	195.00
ES-1537-H2S	Sensor, Hydrogen Sulfide (H2S) 0 - 100 ppm, plug-in type, CT-7 style	195.00

PS 2 Combustible Single Point Stand Alone Monitor

ORDERING INFORMATION: The PS 2 is provided as standard with the sensor on a 30' cable. Both 24VDC powered or 115 VAC powered versions are available, and the 115 VAC version is supplied with a 6' power cord. **(Specify gas & alarm points when ordering)**



<u>Part#</u>	<u>Description</u>	<u>Suggested Retail</u>
73-1020RK-01	PS 2 for LEL detection, 24 VDC powered	425.00
73-1021RK-01	PS 2 for LEL detection, 115 VAC powered	435.00
73-1022RK-01	PS 2 for LEL detection, 48 VDC powered	495.00

Replacement Sensors Only

62-0010RK	Sensor assembly for PS 2, LEL, with 30' cable	100.00
62-0011RK	Sensor assembly for PS 2, PPM, with 30' cable	100.00

RI-257 FC, HCFC, HFC & IPA Infrared Monitor

ORDERING INFORMATION: The RI-257 is a fixed monitor / transmitter for detection of many different refrigerants and for IPA. Please specify exactly which refrigerant or compound you intend to use it for when placing an order. It is currently available for FC-14, FC-116, FC-218, FC-C318 (FC = Perfluoro compound gas), HFC-125, HCFC-1416, R-12, R-22, R-23, R-32, R-41, R-113, R-114, R-123, R-134a, R-152a, R404a, R-407c, R-410A, Vertrel XP, R - 225, and IPA.



<u>Part#</u>	<u>Description</u>	<u>Suggested Retail</u>
RI-257-XXX	Model RI-257 stand alone monitor (specify gas)	4,500.00

RI-215 Series IR CO2 Monitors

<u>Part#</u>	<u>Description</u>	<u>Suggested Retail</u>
RI-215A	Model RI-215A IR diffusion detector head for CO2, 0 - 2,000 ppm, (0-10,000 ppm optional)	850.00
RI-215A-03	Model RI-215A IR diffusion detector head for CO2, 0 - 5%	850.00
RI-215D	Model RI215D IR sample draw detector head for CO2, 0 - 2,000 ppm, (0-10,000 ppm optional)	1,995.00



Fixed Systems Specialty Products

35-3001 Series Sample Draw Detector Assemblies (NEMA 4X Housing)

This series is available as direct connect, with transmitter, or as a multi gas unit with or without a transmitter.



35-3001 Single Gas Direct Connect Version (No 4-20 mA transmitter)

ORDERING INFORMATION: The 35-3001 series can be used with the Beacon 110, Beacon 200, Beacon 410, and the Pioneer series. Tubing sold separately. Recommended tubing size is 1/4" OD.

Part#	Description	Suggested Retail
35-3001-01	35-3001 for combustibles 100% LEL	1,200.00
35-3001-01-01	35-3001 for IR Methane 100% LEL	1,600.00
35-3001-01-02	35-3001 for IR Hydrocarbon 100% LEL	1,600.00
35-3001-01-03	35-3001 for IR Methane 100% vol	1,650.00
35-3001-01H	35-3001 for Hydrogen specific 100% LEL	1,280.00
35-3001-02	35-3001 for Oxygen, 0-25% vol	1,200.00
35-3001-05-02	35-3001 for IR Carbon Dioxide 0-5,000 ppm	1,600.00
35-3001-05-03	35-3001 for IR Carbon Dioxide 0-5% vol	1,600.00
35-3001-05-05	35-3001 for IR Carbon Dioxide 0-50% vol	1,600.00
35-3001-05-10	35-3001 for IR Carbon Dioxide 0-100% vol	1,600.00

35-3001 Single Gas Direct Connect Version (4-20 mA transmitter included)

ORDERING INFORMATION: The 35-3001 series can be used with the Beacon 110, Beacon 200, Beacon 410, Beacon 800 and the Pioneer series. Tubing sold separately. Recommended tubing size is 1/4" OD.

Part#	Description	Suggested Retail
35-3001-04	35-3001 for Carbon Monoxide 0-300 ppm	1,400.00
35-3001A-01	35-3001 for combustibles 100% LEL sample draw detector with transmitter.....	1,500.00
35-3001A-01H	35-3001 for Hydrogen specific 100% LEL with transmitter	1,580.00
35-3001-03	35-3001 for Hydrogen Sulfide 0-100 ppm.....	1,400.00
35-3001A-05-10	35-3001 for IR Carbon Dioxide 0-100% vol with transmitter	1,900.00
35-3001A-05-02	35-3001 for IR Carbon Dioxide 0-5,000 ppm with transmitter	1,900.00
35-3001A-05-03	35-3001 for IR Carbon Dioxide 0-5% vol with transmitter	1,900.00
35-3001A-05-05	35-3001 for IR Carbon Dioxide 0-50% vol with transmitter	1,900.00
35-3001A-01-02	35-3001 for IR Hydrocarbon 100% LEL with transmitter	1,900.00
35-3001A-01-01	35-3001 for IR Methane 100% LEL with transmitter	1,900.00
35-3001A-01-03	35-3001 for IR Methane 100% vol with transmitter	1,950.00
35-3001A-02	35-3001 for Oxygen, 0-25% vol with transmitter	1,500.00

Fixed Systems Specialty Products

35-3001 Multi-Gas Version (No 4-20 mA transmitter)

ORDERING INFORMATION: The 35-3001 series can be used with the Beacon 200, Beacon 410 and Pioneer series. Tubing sold separately. Recommended tubing size is 1/4" OD.



Part#	Description	Suggested Retail
35-3001-08	35-3001 for combustibles 100% LEL / Carbon Monoxide 0-300 ppm ...	1,700.00
35-3001-07	35-3001 for combustibles 100% LEL / Hydrogen Sulfide 0-100 ppm ...	1,700.00
35-3001-11	35-3001 for combustibles 100% LEL / IR Carbon Dioxide 0-5%	1,900.00
35-3001-12	35-3001 for combustibles 100% LEL / IR Methane 100% LEL	1,900.00
35-3001-06	35-3001 for combustibles 100% LEL / Oxygen 0-25% vol	1,400.00
35-3001-08-02	35-3001 for IR Hydrocarbon 100% LEL / Carbon Monoxide 0-300 ppm	2,200.00
35-3001-07-02	35-3001 for IR Hydrocarbon 100% LEL / Hydrogen Sulfide 0-100 ppm	2,200.00
35-3001-11-0210	35-3001 for IR Hydrocarbon 100% LEL / IR Carbon Dioxide 0-100%	2,400.00
35-3001-11-0202	35-3001 for IR Hydrocarbon 100% LEL / IR Carbon Dioxide 0-5,000 ppm	2,400.00
35-3001-11-0203	35-3001 for IR Hydrocarbon 100% LEL / IR Carbon Dioxide 0-5%	2,400.00
35-3001-11-0205	35-3001 for IR Hydrocarbon 100% LEL / IR Carbon Dioxide 0-50%	2,400.00
35-3001-06-02	35-3001 for IR Hydrocarbon LEL / Oxygen 0-25% vol	1,900.00
35-3001-08-03	35-3001 for IR Methane % vol / Carbon Monoxide 0-300 ppm	2,200.00
35-3001-07-03	35-3001 for IR Methane % vol / Hydrogen Sulfide 0-100 ppm	2,200.00
35-3001-06-03	35-3001 for IR Methane % vol / Oxygen 0-25% vol	1,900.00
35-3001-08-01	35-3001 for IR Methane 100% LEL / Carbon Monoxide 0-300 ppm	2,200.00
35-3001-07-01	35-3001 for IR Methane 100% LEL / Hydrogen Sulfide 0-100 ppm	2,200.00
35-3001-11-0110	35-3001 for IR Methane 100% LEL / IR Carbon Dioxide 0-100%	2,400.00
35-3001-11-0102	35-3001 for IR Methane 100% LEL / IR Carbon Dioxide 0-5,000 ppm	2,400.00
35-3001-11-0103	35-3001 for IR Methane 100% LEL / IR Carbon Dioxide 0-5%	2,400.00
35-3001-11-0105	35-3001 for IR Methane 100% LEL / IR Carbon Dioxide 0-50%	2,400.00
35-3001-06-01	35-3001 for IR Methane 100% LEL / Oxygen 0-25% vol	1,900.00
35-3001-10	35-3001 for Oxygen 0-25% vol / Carbon Monoxide 0-300 ppm	1,700.00
35-3001-09	35-3001 for Oxygen 0-25% vol / Hydrogen Sulfide 0-100 ppm	1,700.00

35-3001 Multi-Gas Transmitter Version (4-20 mA transmitter included)

ORDERING INFORMATION: The 35-3001 series can be used with the Beacon 200, Beacon 410, Beacon 800, and the Pioneer series. Tubing sold separately. Recommended tubing size is 1/4" OD.

Part#	Description	Suggested Retail
35-3001A-07	35-3001 for combustibles 100% LEL / Hydrogen Sulfide 0-100 ppm with transmitter	2,000.00
35-3001A-07-01	35-3001 for IR Methane 100% LEL / Hydrogen Sulfide 0-100 ppm with transmitter	2,500.00
35-3001A-07-02	35-3001 for IR Hydrocarbon 100% LEL / Hydrogen Sulfide 0-100 ppm with transmitter	2,500.00
35-3001A-07-03	35-3001 for IR Methane % vol / Hydrogen Sulfide 0-100 ppm with transmitter	2,500.00
35-3001A-08	35-3001 for combustibles 100% LEL / Carbon Monoxide 0-300 ppm with transmitter	2,000.00
35-3001A-08-01	35-3001 for IR Methane 100% LEL / Carbon Monoxide 0-300 ppm with transmitter	2,500.00
35-3001A-08-02	35-3001 for IR Hydrocarbon 100% LEL / Carbon Monoxide 0-300 ppm with transmitter	2,500.00
35-3001A-08-03	35-3001 for IR Methane % vol / Carbon Monoxide 0-300 ppm with transmitter	2,500.00
35-3001A-09	35-3001 for Oxygen 0-25% vol / Hydrogen Sulfide 0-100 ppm with transmitter	2,000.00
35-3001A-10	35-3001 for Oxygen 0-25% vol / Carbon Monoxide 0-300 ppm with transmitter	2,000.00

Fixed Systems Specialty Products

35-3010RK Multi-Gas Version (No 4-20 mA transmitter)

ORDERING INFORMATION: The 35-3010RK series can be used with the Beacon 410 and Pioneer series.

<u>Part#</u>	<u>Description</u>	<u>Suggested Retail</u>
35-3010RK-01	LEL (internal amp)/ O2 (internal amp)/ H2S/ CO (4-20mA) sample draw assembly in NEMA 4X enclosure	2,400.00
35-3010RK-02	LEL (internal amp)/ O2 (internal amp)/ H2S (4-20mA) sample draw assembly in NEMA 4X enclosure ...	2,200.00
35-3010RK-03	LEL (internal amp)/ O2 (internal amp)/CO (4-20mA) sample draw assembly in NEMA 4X enclosure.....	2,200.00

35-3010RKA Multi-Gas Transmitter Version (4-20 mA transmitter included)

ORDERING INFORMATION: The 35-3010RKA series can be used with the Beacon 410, Beacon 800, and the Pioneer series.

<u>Part#</u>	<u>Description</u>	<u>Suggested Retail</u>
35-3010RKA-01	LEL/O2/ H2S/ CO sample draw assembly in NEMA 4X enclosure with transmitters	2,900.00
35-3010RKA-02	LEL/O2/ H2S sample draw assembly in NEMA 4X enclosure with transmitters	2,700.00
35-3010RKA-03	LEL/O2 /CO sample draw assembly in NEMA 4X enclosure with transmitters	2,700.00

35-3001 Series Replacement Sensors

<u>Part#</u>	<u>Description</u>	<u>Suggested Retail</u>
61-0155RK	Sensor, LEL H2 only, plug-in, (NC-6244) for EAGLE 2, 35-3001, 35-3000, GD-A8/D8	250.00
NC-6245	LEL combustible sensor only, for sample draw 35-3001, 35-3000. and Model 1017	220.00
ES-1531-CO	Sensor, Carbon Monoxide (CO) 0 - 300 ppm, plug-in type, CT-7 style, cCSAus version	195.00
ES-1537-H2S	Sensor, Hydrogen Sulfide (H2S) 0 - 100 ppm, plug-in type, CT-7 style, cCSAus version	195.00
OS-B11	Sensor, Oxygen with cable and pigtail	195.00
61-5039RK-CH4	Sensor, IR detector, plug-in, 100% LEL CH4	460.00
61-5039RK-HC	Sensor, IR detector, plug-in, 100% LEL HC.....	460.00
61-5041RK-CH4	Sensor, IR Methane (CH4) 0 - 100% vol, plug-in	550.00
61-5040RK-02	Sensor, IR Carbon Dioxide (CO2) 0-5,000 ppm, plug-in type, non-explosion proof	500.00
61-5040RK-03	Sensor, IR Carbon Dioxide (CO2) 0-5%, plug-in type, non-explosion proof.....	500.00
61-5040RK-05	Sensor, IR Carbon Dioxide (CO2) 0-50%, plug-in type, non-explosion proof	500.00
61-5040RK-10	Sensor, IR Carbon Dioxide (CO2) 0-100%, plug-in type, non-explosion proof.....	500.00



Fixed Systems Specialty Products

Explosion Proof Multi Point Detector Assembly

ORDERING INFORMATION: All pricing includes the sensor and explosion proof housing.

Note: Use IR LEL versions for wastewater or sewage applications.



Part#	Description	Suggested Retail
65-2480RK-01	Multi-sensor, direct connection for LEL (catalytic) / O2 / H2S with j-box, UL version	1,200.00
65-2480RK-02	Multi-sensor, direct connection for LEL (catalytic) / O2 / CO with j-box, UL version	1,200.00
65-2480RK-03	Multi-sensor, direct connection for LEL (catalytic) / H2S with j-box, UL version	800.00
65-2480RK-04	Multi-sensor, direct connection for LEL (catalytic) / CO with j-box, UL version	800.00
65-2480RK-05	Multi-sensor, direct connection for LEL (catalytic) / H2S / CO with j-box, CSA version	1,200.00
65-2480RK-51	Multi-sensor, direct connection for LEL (catalytic) / O2 / H2S with j-box, CSA version	1,250.00
65-2480RK-52	Multi-sensor, direct connection for LEL (catalytic) / O2 / CO with j-box, CSA version	1,250.00
65-2480RK-53	Multi-sensor, direct connection for LEL (catalytic) / H2S with j-box, CSA version	850.00
65-2480RK-54	Multi-sensor, direct connection for LEL (catalytic) / CO with j-box, CSA version	850.00
65-2481RK	Multi-sensor, direct connection for LEL (catalytic) / O2 / H2S / CO with j-box.....	1,700.00
65-2481RK-01	Multi-sensor, direct connection for IR LEL (CH4) / O2 / H2S / CO with j-box	2,200.00
65-2481RK-02	Multi-sensor, direct connection for IR LEL (HC) / O2 / H2S / CO with j-box	2,200.00
65-2482RK-01	Multi-sensor, direct connection for IR LEL (CH4) / O2 / H2S with j-box, UL version.....	1,700.00
65-2482RK-02	Multi-sensor, direct connection for IR LEL (CH4) / O2 / CO with j-box, UL version	1,700.00
65-2482RK-03	Multi-sensor, direct connection for IR LEL (CH4) / H2S with j-box, UL version	1,300.00
65-2482RK-04	Multi-sensor, direct connection for IR LEL (CH4) / CO with j-box, UL version	1,300.00
65-2482RK-05	Multi-sensor, direct connection for IR LEL (CH4) / O2 / with j-box	1,300.00
65-2482RK-06	Multi-sensor, direct connection for IR LEL (CH4) / H2S / CO with j-box	1,700.00
65-2483RK-01	Multi-sensor, direct connection for IR LEL (HC) / O2 / H2S with j-box, UL version	1,700.00
65-2483RK-02	Multi-sensor, direct connection for IR LEL (HC) / O2 / CO with j-box, UL version	1,700.00
65-2483RK-03	Multi-sensor, direct connection for IR LEL (HC) / H2S with j-box, UL version	1,300.00
65-2483RK-04	Multi-sensor, direct connection for IR LEL (HC) / CO with j-box, UL version	1,300.00
65-2483RK-05	Multi-sensor, direct connection for IR LEL (HC) / O2 with j-box, UL version	1,300.00
65-2483RK-06	Multi-sensor, direct connection for IR LEL (HC) / H2S / CO with j-box, UL version	1,700.00
65-2484RK-06	Multi-sensor, direct connection for LEL (catalytic) / O2 / H2S / SO2 with j-box (not explosion proof) ...	1,950.00
65-2484RK-34	Multi-sensor, direct connection for IR LEL (CH4) / H2S / CO / NH3 with j-box (not explosion proof)	2,450.00
65-2485RK-02	Multi-sensor, direct connection for H2S / O2 / CO with j-box, UL version	1,350.00

Wet Well Package

Part#	Description	Suggested Retail
61-1003RKSS-CH4	Sensor, IR, Methane (CH4) 0 - 100% LEL, explosion proof with stainless steel j-box, UL version	950.00
72-2104A-WW1	Wet Well Package with Beacon 410A controller, tri-head IR LEL (HC) / O2 / H2S, and IR CH4 direct connect (for ceiling mounting)	4,600.00
72-2104A-WW2	Wet Well Package with Beacon 410A controller, tri-head IR LEL (CH4) / O2 / H2S	3,650.00



Fixed Systems Specialty Products

Rig Monitor H2S and/or LEL Systems



M2 RM



Beacon 110 RM



Beacon 200 RM

Part#	Description	Suggested Retail
65-2625RK-HR	Rig Monitor system, with M2, Hydrogen Sulfide (H2S) 0-100 ppm sensor with cal cup / splash guard and 25' cable, horn/strobe, and 50' power cable with battery clamps	1,675.00
72-2102RK-HLR	Rig Monitor system, with Beacon 200 two channel controller, Hydrogen Sulfide (H2S) 0-100 ppm sensor, combustible sensor 0-100% LEL, with cal cup / splash guard and 25' cable, horn/strobe, and 50' power cable with battery clamps	2,795.00
72-2102RK-HR	Rig Monitor system, with Beacon 200 two channel controller, Hydrogen Sulfide (H2S) 0-100 ppm sensor with cal cup / splash guard and 25' cable, horn/strobe, and 50' power cable with battery clamps	2,895.00
72-2104A-HR	Rig Monitor system, with Beacon 410A four channel controller, four Hydrogen Sulfide (H2S) 0-100 ppm sensors with cal cup / splash guard and 25' cable, horn/strobe, and 50' power cable with battery clamps	3,980.00
72-2110RK-HR	Rig Monitor system, with Beacon 110 single channel controller, Hydrogen Sulfide (H2S) 0-100 ppm sensor with cal cup / splash guard and 25' cable, horn/strobe, and 50' power cable with battery clamps	1,595.00
72-2110RK-LR-01	Rig Monitor system, with Beacon 110 single channel controller, combustible sensor 0-100% LEL, with cal cup / splash guard and 25' cable, horn/strobe, and 50' power cable with battery clamps	1,695.00

Replacement Sensor

Part#	Description	Suggested Retail
61-0140RK	Sensor, LEL combustible (catalytic), direct connection (no transmitter, no j-box), UL version	250.00
ES-1537-H2S	Sensor, Hydrogen Sulfide (H2S) 0 - 100 ppm, plug-in type, CT-7 style, cCSAus version	195.00

Calibration Kits

Instrument #	Cal-Kit Part #	Cal-Kit Description	Price
65-2625RK-HR 72-2102RK-HR 72-2110RK-HR	81-F101RK-LV	Cal kit, fixed, 34AL cyl 25 ppm Hydrogen Sulfide in N2, reg with gauge & knob, cal cup, screwdriver, case & tubing	365.00

Notes

- Fixed system pricing is for equipment only and does not include factory start-up or training. Please contact RKI for quotation if factory start-up or training is needed.
- Please contact RKI if you would like assistance with pricing or configuring a system quotation.
- A calibration test kit is a strongly recommended accessory for all fixed systems.

Fixed Systems Specialty Products

Single / Dual Point Air Aspirator Panel

ORDERING INFORMATION: When ordering an Air Aspirated Panel System please specify the following:

- 1) Select the correct panel number below for 1 or 2 sensors, and for either M2A series, Direct Connect or S2 Series.
- 2) Select desired detector assembly M2A, Direct Connect, or S2 heads as separate line items.



M2A Aspirator Panels

<u>Part#</u>	<u>Description</u>	<u>Suggested Retail</u>
30-0954RK-201	Aspirator panel for one LEL M2A transmitter, with flow switch	3,000.00
30-0954RK-202	Aspirator panel for two LEL M2A transmitters, with flow switch	3,300.00
30-0954RK-203	Aspirator panel for one oxygen or toxic M2A transmitter, with flow switch	3,000.00
30-0954RK-204	Aspirator panel for two oxygen or toxic M2A transmitters, with flow switch	3,300.00
30-0954RK-205	Aspirator panel for one IR M2A transmitter, with flow switch	3,000.00
30-0954RK-206	Aspirator panel for two IR M2A transmitters, with flow switch	3,300.00
30-0954RK-207	Aspirator panel for one LEL and one oxygen or toxic M2A transmitter, with flow switch	3,300.00
30-0954RK-208	Aspirator panel for one LEL and one IR M2A transmitters, with flow switch	3,300.00
30-0954RK-209	Aspirator panel for one oxygen or toxic and one IR M2A transmitters, with flow switch	3,300.00

Direct Connect & S2 Aspirator Panels

<u>Part#</u>	<u>Description</u>	<u>Suggested Retail</u>
30-0954RK-261	Aspirator panel for one LEL Direct Connect or S2 transmitter, with flow switch	3,000.00
30-0954RK-263	Aspirator panel for one oxygen or toxic Direct Connect or S2 transmitter, with flow switch	3,000.00
30-0954RK-264	Aspirator panel for two oxygen or toxic Direct Connect or S2 transmitters, with flow switch	3,300.00
30-0954RK-265	Aspirator panel for one IR Direct Connect or S2 transmitters, with flow switch	3,000.00
30-0954RK-266	Aspirator panel for two IR Direct Connect or S2 transmitters, with flow switch	3,300.00
30-0954RK-267	Aspirator panel for one LEL and one oxygen or toxic Direct Connect or S2 transmitter, with flow switch	3,300.00
30-0954RK-268	Aspirator panel for one LEL and one IR Direct Connect or S2 transmitters, with flow switch	3,300.00
30-0954RK-269	Aspirator panel for one oxygen or toxic and one IR Direct Connect or S2 transmitters, with flow switch	3,300.00

Detector assemblies

Refer to detector assembly sections for complete listing

Direct Connect	Sensors with or without junction boxes, that connect directly to a controller (no transmitter)	page 129
S2 Series (SS type)	Sensor / transmitter with stainless steel explosion proof junction box (no display)	page 133
M2A Series	Stand alone sensor / transmitter with explosion proof junction box and digital display	page 136

NOTE: Aspirator panels can be supplied inside a wall mounting NEMA 4X enclosure for an additional \$2,600.

Model 1017 Explosion Proof Sample Draw Direct Connect Sensor

<u>Part#</u>	<u>Description</u>	<u>Suggested Retail</u>
79-1017-03	Model 1017 explosion proof combustible sample draw, 0-100 % LEL with NC-6245 sensor	1,500.00
79-1017F-01	Model 1017 explosion proof oxygen sample draw	1,500.00



Fixed Systems Specialty Products

Digester Gas Monitor

ORDERING INFORMATION: When ordering a Digester Gas Monitor please specify the following:

- 1) Select gas combination below specifying H2S ranges as 1,000 ppm, 3,000 ppm, or 5,000 ppm.
- 2) For H2S ranges of 3,000 or 5,000 ppm on 1, 2 or 3 gas versions, add -3K or -5K to the end of the part number.
- 3) For gas combinations not listed below, please consult the factory.
- 4) Prices below are only guidelines. Consult the factory for a quotation.

Note: Standard discounts do not apply to Digester products. All Digester quotations must come from the factory.



4 Gas Models

<u>Part#</u>	<u>Description</u>	<u>Suggested Retail</u>
72-2120-401	Digester gas monitor, 100% volume CH4 / 25% volume O2 / 50% volume CO2 / 1,000 ppm H2S 16,000.00
72-2120-401-3K	Digester gas monitor, 100% volume CH4 / 25% volume O2 / 50% volume CO2 / 3,000 ppm H2S 16,000.00
72-2120-401-5K	Digester gas monitor, 100% volume CH4 / 25% volume O2 / 50% volume CO2 / 5,000 ppm H2S 16,000.00

3 Gas Models

<u>Part#</u>	<u>Description</u>	<u>Suggested Retail</u>
72-2120-301	Digester gas monitor, 100% volume CH4 / 25% volume O2 / 1,000 ppm H2S 15,500.00
72-2120-302	Digester gas monitor, 100% volume CH4 / 25% volume O2 / 50% volume CO2 15,700.00
72-2120-303	Digester gas monitor, 100% volume CH4 / 50% volume CO2 / 1,000 ppm H2S 15,800.00
72-2120-304	Digester gas monitor, 25% volume O2 / 50% volume CO2 / 1,000 ppm H2S 15,500.00

2 Gas Models

<u>Part#</u>	<u>Description</u>	<u>Suggested Retail</u>
72-2120-201	Digester gas monitor, 100% volume CH4 / 25% volume O2 15,200.00
72-2120-202	Digester gas monitor, 100% volume CH4 / 1,000 ppm H2S 15,300.00
72-2120-203	Digester gas monitor, 100% volume CH4 / 50% volume CO2 15,500.00
72-2120-204	Digester gas monitor, 25% volume O2 / 1,000 ppm H2S 15,000.00
72-2120-205	Digester gas monitor, 25% volume O2 / 50% volume CO2 15,200.00

1 Gas Models

<u>Part#</u>	<u>Description</u>	<u>Suggested Retail</u>
72-2120-101	Digester gas monitor, 100% volume CH4 15,000.00
72-2120-102	Digester gas monitor, 25% volume O2 14,700.00
72-2120-103	Digester gas monitor, 1,000 ppm H2S 14,800.00
72-2120-104	Digester gas monitor, 50% volume CO2 15,000.00

Replacement Parts & Accessories

51-0096RK-10	Adder, strobe / horn for Digester Gas Monitor 180.00
75-0038	Standby battery, 12AH, with charger circuit added to Digester controller 495.00

Fixed Systems Specialty Products

Paper Tape Monitors

ORDERING INFORMATION: When ordering a Paper Tape system please specify the following:

- 1) Paper tape machine (specify gas and range)
- 2) Replacement tape (specify gas and range)
- 3) Consult factory before selecting any paper tape monitor



Part#	Description	Suggested Retail
FP-300	Model FP-300 paper tape machine	5,300.00
FP-300A-BF3	Model FP-300 paper tape machine for Boron Trifluoride, 0 - 3 ppm	5,600.00
FP-300A-HBR	Model FP-300 paper tape machine for Hydrogen Bromine HBr, 0 - 2 ppm	5,600.00
FP-300AGZS	Model FP-300 paper tape machine for C4F6/C5F8, 0 - 5.00 ppm.....	8,600.00
FP-301-ASH3	Model FP-300 paper tape machine for Arsine AsH3, 0 - 15 ppb	5,600.00

Replacement Parts

65-FC-010	Tape FC-010 for Ammonia NH3, FP-300	170.00
65-FC-303	Tape FC-303 for Chlorine Cl2, 0 - 0.5 ppm, FP-300	170.00
65-FCL-001	Tape FCL-001 for Arsine AsH3, FP-300/-301	170.00
65-FCL-002	Tape FCL-002 for Silane SiH4, FP-300.....	170.00
65-FCL-015	Tape FCL-015 for Chlorine Cl2, FP-300	170.00

Part#	Description	Suggested Retail
FP-330	Model FP-330 paper tape machine for formaldehyde	5,600.00

Replacement Parts

65-FCL-018	Tape FCL-018 for formaldehyde, for FP-330	130.00
------------	---	--------

Replacement Parts For Discontinued FP-260AGZS

Part#	Description	Suggested Retail
65-FV-017	Tape FV-017 for Hexafluorobutadiene C4F6 & C5F8.....	120.00
65-FVL-001	Tape FVL-001 for Cupra Select, Arsine AsH3, Phosphine PH3, Disilane SiH6, Hydrogen Sulfide H2S, Hydrogen Selenide H2Se	85.00
65-FVL-002	Tape FVL-002 for Silane SiH4, Diborane B2H6, Dimethylaluminum Hydride DMAH (C2H7AL), Cupra select	85.00
65-FVL-004	Tape FVL-004 for Hydrogen Chloride HCl	85.00
65-FVL-006	Tape FVL-006 for Hexafluoroathetyle Acetone Hhfac (CF3COCH2COCF3)	85.00
65-FVL-015	Tape FVL-015 for Ruthenium tetraoxide RuO4, Chlorine Cl2	85.00
65-FVL-108	Tape FVL-108 for Phosgene COCl2	110.00

Fixed Systems Legacy Products

GD-K71D Replacement Sensors



Part#	Description	Suggested Retail
ESM-23R-NH3	Sensor, Ammonia (NH3), 0-75 ppm, for GD-K88Ai, GD-K71D, GD-K77D, and SC-8000	480.00
ESM-23RH-NH3	Sensor, Ammonia (NH3), 0-75 ppm, for GD-K88Ai, GD-K71D, GD-K77D, and SC-8000, high humidity use	480.00
ESM-23AHS-ASH3	Sensor, Arsine (AsH3), 0-0.2 ppm, for GD-K88Ai, GD-K71D, GD-K77D, and SC-8000	480.00
ESM-23-CO	Sensor, Carbon Monoxide (CO), 0-150 ppm, for GD-K88Ai, GD-K71D, GD-K77D, and SC-8000	480.00
ESM-K233-CL2	Sensor, Chlorine (Cl2), 0-3 ppm, for GD-K88Ai, GD-K71D, GD-K77D, and SC-8000	480.00
ESM-K233CS-CLFC	Sensor, Chlorine Trifluoride (ClF3), 0-0.6 ppm, for GD-K88Ai, GD-K71D, GD-K77D, and SC-8000 (no acid gas sensitivity)	480.00
ESM-23AY-B2H6	Sensor, Diborane (B2H6), 0-0.3 ppm, for GD-K88Ai, GD-K71D, GD-K77D, and SC-8000	480.00
ESM-23DH-Si2H6	Sensor, Disilane (Si2H6), 0-15 ppm, for GD-K88Ai, GD-K71D, GD-K77D, and SC-8000	480.00
ESM-K233-F2	Sensor, Fluorine (F2), 0-3 ppm, for GD-K88Ai, GD-K71D, GD-K77D, and SC-8000	480.00
ESM-23DH-GEH4	Sensor, Germane (GeH4), 0-0.8 ppm, for GD-K88Ai, GD-K71D, GD-K77D, and SC-8000	480.00
ESM-23E-HBR	Sensor, Hydrogen Bromide (HBr), 0-9 ppm, for GD-K88Ai, GD-K71D or GD-K77D	480.00
ESM-23E-HCL	Sensor, Hydrogen Chloride (HCl), 0-15 ppm, (with H2 response) for GD-K88Ai, GD-K71D, GD-K77D, and SC-8000	480.00
ESM-K233-HCL	Sensor, Hydrogen Chloride (HCl), 0-15 ppm, for GD-K88Ai, GD-K71D, GD-K77D, and SC-8000	480.00
ESM-23DH-HCN	Sensor, Hydrogen Cyanide (HCN), 0-30 ppm, for GD-K88Ai, GD-K71D, GD-K77D, and SC-8000	480.00
ESM-K233-HF	Sensor, Hydrogen Fluoride (HF), 0-9 ppm, for GD-K88Ai, GD-K71D, GD-K77D, and SC-8000	480.00
ESM-23DH-MS	Sensor, Methyl Silane (CH3SiH3), 0-20 ppm, for GD-K88Ai, GD-K71D, GD-K77D, and SC-8000	480.00
ESM-23AH-NO2	Sensor, Nitrogen Dioxide (NO2), 0-15 ppm, for GD-K88Ai, GD-K71D, GD-K77D, and SC-8000	480.00
ESM-K239C-O3	Sensor, Ozone (O3), 0-1.0 ppm, for GD-K88Ai, GD-K71D, GD-K77D, and SC-8000	480.00
ESM-23AH-PH3	Sensor, Phosphine (PH3), 0-1 ppm, for GD-K88Ai, GD-K71D, GD-K77D, and SC-8000	480.00
ESM-23DH-SiH4	Sensor, Silane (SiH4), 0-15 ppm, for GD-K88Ai, GD-K71D, GD-K77D, and SC-8000, with H2 response	480.00
ESM-23AH-SiH4	Sensor, Silane (SiH4), 0-15 ppm, low H2 response, for GD-K88Ai, GD-K71D, GD-K77D, and SC-8000	480.00
ESM-23E-SO2	Sensor, Sulfur Dioxide (SO2), 0-30 ppm, for GD-K88Ai, GD-K71D, GD-K77D, and SC-8000.....	480.00
ESM-238-SO2	Sensor, Sulfur Dioxide (SO2), 0-6 ppm, for GD-K71D, GD-K77D, and SC-8000.....	480.00

GD-K71D Replacement Parts

Part#	Description	Suggested Retail
33-0165RK	Filter, Millipore, PTFE, Disc type, hydrophobic, EAGLE, Fixed Systems	27.00
49-1410RK	Lithium battery pack, 3.6V, replacement for GD-K7D2 & GD-K77D	20.00

Fixed Systems Legacy Products

GD-K8A Replacement Sensors



<u>Part#</u>	<u>Description</u>	<u>Suggested Retail</u>
ES-23-CO	Sensor, Carbon Monoxide (CO), large, 0 - 150 ppm range	465.00
ES-237-H2S	Sensor, Hydrogen Sulfide (H2S), 0 - 30 ppm range	465.00
ES-238-SO2	Sensor, Sulfur Dioxide (SO2), new style, 0 - 10 ppm (or 0 - 6 ppm) range	465.00
ES-23A-NO	Sensor, Nitric Oxide (NO) 0 - 100 ppm range	465.00
ES-23AH-B2H6	Sensor, Diborane (B2H6) 0 - 30 ppm range	465.00
ES-23AH-H2S	Sensor, Hydrogen Sulfide (H2S), 0 - 1.00 ppm range	465.00
ES-23AH-NO2	Sensor, Nitrogen Dioxide (NO2) 0 - 15 ppm range	465.00
ES-23AH-O3	Sensor, Ozone (O3) 0 - 5.00 ppm range (old style)	465.00
ES-23AH-PH3	Sensor, Phosphine (PH3) 0 - 1.00 ppm range (no H2 response)	465.00
ES-23AH-SiH4	Sensor, Silane (SiH4) 0 - 15 ppm range, old style (no H2 response)	465.00
ES-23AHS-ASH3	Sensor, Arsine (AsH3) 0 - 0.20 ppm range or 0 - 1.00 ppm range	465.00
ES-23AY-B2H6	Sensor, Diborane (B2H6) 0 - 0.30 ppm range	465.00
ES-23DH-H2O2	Sensor, Hydrogen Peroxide (H2O2), 0-3 PPM, GD-K8	465.00
ES-23DH-HCN	Sensor, Hydrogen Cyanide (HCN) 0 - 30 ppm range	465.00
ES-23DH-PH3	Sensor, Phosphine (PH3) 0 - 1.00 ppm, GD-K8 (with H2 response)	465.00
ES-23DH-SiH4	Sensor, Silane (SiH4) 0 - 15 ppm range, new style (with H2 response)	465.00
ES-23E-HBR	Sensor, Hydrogen Bromide (HBr) 0 - 9.00 ppm range	465.00
ES-23E-HCL	Sensor, Hydrogen Chloride (HCl), 0 - 15 ppm range, (no Cl2 response)	465.00
ES-23E-HI	Sensor, Hydrogen Iodide (HI), 0-5 ppm	465.00
ES-23E-SO2	Sensor, Sulfur Dioxide (SO2) 0 - 30 ppm range (or 0 - 15 ppm range)	465.00
ES-23R-NH3	Sensor, Ammonia (NH3), (new style) 0 - 75 ppm range, (higher range optional)	465.00
ES-23RV-BTBAS	Sensor, BTBAS, 0 - 15 ppm	465.00
ES-K233-BR2	Sensor, Bromine (Br2) 0 - 1.00 ppm range	465.00
ES-K233-CL2	Sensor, Chlorine (Cl2) 0 - 3.00 ppm range (Family acid gas sensor)	465.00
ES-K233-F2	Sensor, Fluorine (F2) 0 - 3.00 ppm range	465.00
ES-K233-HF	Sensor, Hydrogen Fluoride (HF) 0 - 9.00 ppm range	465.00
ES-K239C-O3	Sensor, Ozone (O3) 0-1 ppm, new style, replaces ES-K239-O3	465.00
ESM-23SD-H2SE	Sensor, Hydrogen Selenide (H2Se), 0-0.20 ppm, for GD-K8A	480.00

GD-K8A Replacement Parts

Accessories

<u>Part#</u>	<u>Description</u>	<u>Suggested Retail</u>
21-0401	Housing, polycarbonate with clear cover for up to 4 MTL5500 series barriers	460.00
21-0402	Housing, polyester with clear cover for up to 10 MTL5500 series barriers	1,300.00
43-7013	IS Barrier, isolator, 2- or 3-wire 4-20 mA transmitter or HART, MTL5541	750.00

Notes

- The following gases can be detected with the GD-K8A, however a sample drawing system is recommended: BCl3, HBr, HCl, HCN, and O3.

Fixed Systems Legacy Products

S- Series Diffusion Sensor / Transmitter

ORDERING INFORMATION: All S-Series pricing includes the sensor and explosion proof housing.



Part#	Description	Suggested Retail
65-2390RK-CH4	S-Series Methane (CH4) 0-100% LEL, IR sensor / transmitter with j-box, UL version	1,075.00
65-2390RK-HC	S-Series Hydrocarbon (isobutane) 0-100% LEL, IR sensor / transmitter with j-box, UL version	1,075.00
65-2400RK	S-Series LEL sensor (catalytic) / transmitter with explosion proof j-box, UL version	650.00
65-2400RK-05	S-Series LEL sensor (catalytic) / transmitter with explosion proof j-box, CSA version	700.00
65-2422RK-05	S-Series Hydrogen Sulfide (H2S) sensor / transmitter with explosion proof j-box, CSA version	775.00
65-2432RK-05	S-Series Carbon Monoxide (CO) sensor / transmitter with j-box, CSA version	775.00
65-2435RK	Sensor, Carbon Monoxide (CO), H2 compensated, S Series sensor / transmitter, with j-box).....	995.00
65-2450RK	S-Series LEL Hydrogen (H2) specific sensor / transmitter with explosion proof j-box, UL version	850.00
65-2450RK-05	S-Series LEL Hydrogen (H2) specific sensor / transmitter with explosion proof j-box, CSA version	890.00
65-2516RK	S-Series Oxygen (O2) sensor (capillary type) / transmitter, explosion proof with conduit mounting j-box, CSA version.....	725.00

Replacement Sensors For S - Series

61-0140RK	Sensor, LEL combustible (catalytic), direct connection (no transmitter, no j-box), UL version	250.00
61-0140RK-05	Sensor, LEL combustible (catalytic), direct connection (no transmitter, no j-box), cCSAus version	300.00
61-0160RK	Sensor, Hydrogen (H2) 0-2,000 ppm sensor only, 1/2 NPT, UL version	400.00
65-1025RK	Sensor, Oxygen (O2) 0 - 25%, capillary type, plug-in replacement for O2 assembly (65-2514RK & 65-2497RK)	140.00
65-2009RK	Sensor, Carbon Monoxide (CO) sensor, H2 compensated, EAGLE	320.00
65-2510RK	Sensor, Oxygen (O2) 0 -25%, non explosion proof direct connect, partial pressure type (no transmitter, no j-box)	250.00
ES-1531-CO	Sensor, Carbon Monoxide (CO) 0 - 300 ppm, plug-in type, CT-7 style, cCSAus version	195.00
ES-1537-H2S	Sensor, Hydrogen Sulfide (H2S) 0 - 100 ppm, plug-in type, CT-7 style, cCSAus version	195.00
NC-6205-01	Sensor, LEL Hydrogen (H2) specific, 1/2 NPT, with guard,with silicone resistance, UL version, (no transmitter, no j-box)	400.00
NC-6205-05	Sensor, LEL Hydrogen (H2) specific, explosion proof direct connection, with silicone resistance, cCSAus version, (no transmitter, no j-box)	450.00

Fixed Systems Legacy Products

M2 Replacement Sensors For Explosion Proof



<u>Part#</u>	<u>Description</u>	<u>Suggested Retail</u>
61-0140RK	Sensor, LEL combustible (catalytic), direct connection (no transmitter, no j-box), UL version	250.00
61-0140RK-05	Sensor, LEL combustible (catalytic), direct connection (no transmitter, no j-box), cCSAus version	300.00
NC-6205-01	Sensor, LEL Hydrogen (H2) specific, 1/2 NPT, with guard,with silicone resistance, UL version, (no transmitter, no j-box)	400.00
NC-6205-05	Sensor, LEL Hydrogen (H2) specific, explosion proof direct connection, with silicone resistance, cCSAus version, (no transmitter, no j-box)	450.00
61-0160RK	Sensor, Hydrogen (H2) 0-2,000 ppm sensor only, 1/2 NPT, UL version	400.00
61-0190RK-CH4	Sensor, IR, Methane (CH4) 0 - 100% LEL, explosion proof direct connection, 3/4" NPT nipple (no transmitter, no j-box), cULus version	750.00
61-0192RK-CH4	Sensor, IR, Methane (CH4) 0 - 100% volume, explosion proof direct connection, 3/4" NPT nipple (no transmitter, no j-box), cULus version	800.00
61-5039RK-CH4	Sensor, IR detector, plug-in, 100% LEL CH4	460.00
61-0190RK-HC	Sensor, IR, Hydrocarbon (HC) 0 - 100% LEL, isobutane standard calibration, explosion proof direct connection, 3/4" NPT nipple (no transmitter, no j-box), cULus version	750.00
61-5039RK-HC	Sensor, IR detector, plug-in, 100% LEL HC.....	460.00
65-1025RK	Sensor, Oxygen (O2) 0 - 25%, capillary type, plug-in replacement for O2 assembly (65-2514RK & 65-2497RK)	140.00
ES-1537-H2S	Sensor, Hydrogen Sulfide (H2S) 0 - 100 ppm, plug-in type, CT-7 style, cCSAus version	195.00
ES-1531-CO	Sensor, Carbon Monoxide (CO) 0 - 300 ppm, plug-in type, CT-7 style, cCSAus version	195.00
61-0191RK-02	Sensor, IR, Carbon Dioxide (CO2) 0 - 5,000 ppm, explosion proof direct connection (no transmitter, no j-box), cULus version	800.00
61-0191RK-03	Sensor, IR, Carbon Dioxide (CO2) 0 - 5%, explosion proof direct connection (no transmitter, no j-box), ULus version	800.00
61-0191RK-05	Sensor, IR, Carbon Dioxide (CO2) 0 - 50%, explosion proof direct connection (no transmitter, no j-box), cULus version	800.00
61-0191RK-10	Sensor, IR, Carbon Dioxide (CO2) 0 - 100%, explosion proof direct connection (no transmitter, no j-box), cULus version	800.00

M2 Replacement Sensors For Non Explosion Proof

<u>Part#</u>	<u>Description</u>	<u>Suggested Retail</u>
61-5040RK-02	Sensor, IR Carbon Dioxide (CO2) 0-5,000 ppm, plug-in type, non-explosion proof	500.00
61-5040RK-03	Sensor, IR Carbon Dioxide (CO2) 0-5%, plug-in type, non-explosion proof.....	500.00
61-5040RK-05	Sensor, IR Carbon Dioxide (CO2) 0-50%, plug-in type, non-explosion proof	500.00
61-5040RK-10	Sensor, IR Carbon Dioxide (CO2) 0-100%, plug-in type, non-explosion proof.....	500.00
65-1025RK	Sensor, Oxygen (O2) 0 - 25%, capillary type, plug-in replacement for O2 assembly (65-2514RK & 65-2497RK)	140.00
65-2510RK	Sensor, Oxygen (O2) 0 -25%, non explosion proof direct connect, partial pressure type (no transmitter, no j-box)	250.00
ES-1531-CO	Sensor, Carbon Monoxide (CO) 0 - 300 ppm, plug-in type, CT-7 style, cCSAus version	195.00
ES-1537-H2S	Sensor, Hydrogen Sulfide (H2S) 0 - 100 ppm, plug-in type, CT-7 style, cCSAus version	195.00

M2 Replacement ESM-01 Toxic Sensors

<u>Part#</u>	<u>Description</u>	<u>Suggested Retail</u>
ESM-01R-D-NH3	Sensor, Ammonia (NH3), 0 - 75 ppm, ESM-01 plug-in type, for diffusion instruments	195.00
ESM-01DH-ASH3	Sensor, Arsine (AsH3), 0 - 1.50 ppm, ESM-01 plug-in type	195.00
ESM-K01-D-CL2	Sensor, Chlorine (Cl2), 0 - 3 ppm, ESM-01 plug-in diffusion type.....	240.00
ESM-01DH-D-HCN	Sensor, Hydrogen Cyanide (HCN), 0 - 15 ppm, ESM-01 plug-in type	195.00
ESM-01DH-PH3	Sensor, Phosphine (PH3), 0 - 1.0 ppm, ESM-01 plug-in type	195.00
ESM-01DH-D-SO2	Sensor, Sulfur Dioxide (SO2), 0 - 6 ppm, ESM-01 plug-in type	195.00

Fixed Systems Legacy Products

OX-500 & EC-500 Replacement Sensors

<u>Part#</u>	<u>Description</u>	<u>Suggested Retail</u>
ES-1531-CO	Sensor, Carbon Monoxide (CO) 0 - 300 ppm, plug-in type, CT-7 style, cCSAus version	195.00
OS-B11	Sensor, Oxygen with cable and pigtail	195.00

35-3000 Series Replacement Sensors

<u>Part#</u>	<u>Description</u>	<u>Suggested Retail</u>
61-0155RK	Sensor, LEL H2 only, plug-in, (NC-6244) for EAGLE 2, 35-3000, GD-A8/D8	250.00
61-0165RK	Sensor, Hydrogen (H2), 0-2000 ppm, SG-8541, plug-in	400.00
61-5039RK-CH4	Sensor, IR detector, plug-in, 100% LEL CH4	500.00
61-5039RK-HC	Sensor, IR detector, plug-in, 100% LEL HC.....	500.00
61-5040RK-02	Sensor, IR Carbon Dioxide (CO2) 0-5,000 ppm, plug-in type, non-explosion proof	500.00
61-5040RK-03	Sensor, IR Carbon Dioxide (CO2) 0-5%, plug-in type, non-explosion proof.....	500.00
61-5040RK-05	Sensor, IR Carbon Dioxide (CO2) 0-50%, plug-in type, non-explosion proof	500.00
61-5040RK-10	Sensor, IR Carbon Dioxide (CO2) 0-100%, plug-in type, non-explosion proof.....	500.00
61-5041RK-CH4	Sensor, IR Methane (CH4) 0 - 100% vol, plug-in	500.00
65-0601RK	Sensor, Oxygen (O2) (OS-B3), for RX-415, EAGLE, or EAGLE 2	160.00
65-2007RK	Sensor, Carbon Monoxide (CO), ES-81 type with connector for 35-3000RK	200.00
65-2037RK	Sensor, Hydrogen Sulfide (H2S), ES-87 type with connector for 35-3000RK	200.00
ES-1531-CO	Sensor, Carbon Monoxide (CO) 0 - 300 ppm, plug-in type, CT-7 style	195.00
ES-1537-H2S	Sensor, Hydrogen Sulfide (H2S) 0 - 100 ppm, plug-in type, CT-7 style	195.00
NC-6245	LEL combustible sensor only, for sample draw 35-3000 and Model 1017	220.00



Fixed Systems Accessories

Lights, Strobes, and Horns - Non Hazardous Locations

Lights, Strobes, or Horns Only

Part#	Description	Suggested Retail
51-0053RK	Rotating alarm light, green, 115 VAC, Federal Signal 225-120V-G	295.00
51-0054RK	Rotating alarm light, amber, 115 VAC, Federal Signal 225-120V-A	360.00
51-0055RK	Rotating alarm light, red, 115 VAC, Federal Signal 225-120V-R	360.00
51-0056RK	Rotating alarm light, blue, 115 VAC, Federal Signal 225-120-B	295.00
51-0098-01-AMB	Strobe, red housing, with amber lens cover, 96 to 132 VAC, NEMA 3R, SpectraAlert	220.00
51-0098-01-RED	Strobe, red housing, with red lens cover, 96 to 132 VAC, NEMA 3R, SpectraAlert	220.00
51-0098-AMB	Strobe, red housing, with amber lens cover, 8 to 33 VDC, NEMA 4X, SpectraAlert	140.00
51-0098-RED	Strobe, red housing, with red lens cover, 8 to 33 VDC, NEMA 4X, SpectraAlert	140.00
51-0100	Strobe, white housing, with clear lens, 8 to 33 VDC, high candela, NEMA 4X, SpectraAlert	135.00
51-0100-01	Strobe, white housing, with clear lens, 96-132 VAC, high candela, NEMA 3R, SpectraAlert	200.00
51-0100-AMB	Strobe, white housing, with amber lens cover, 8 to 33 VDC, NEMA 4X, SpectraAlert	150.00
52-0003RK	Horn, 115 VAC, vibratory, NEMA 4X, Edward's 876-N5	250.00
52-0004RK	Horn, 24 VDC, vibrating, Federal 450-24 VDC	280.00



51-0053RK / 51-0054RK / 51-0055RK



51-0098RK-01-AMB



51-0098RK-01-RED



51-0100-AMB



52-0003RK / 52-0004RK

Lights/Strobes with Horns - 2 Wire (strobe and horn wired together)

Part#	Description	Suggested Retail
51-0090RK	Flashing alarm light with horn, red, 115 VAC, 40 watt lamp, Edwards 51R-N5-40W	450.00
51-0090RK-24	Flashing alarm light with horn, red, 24 VDC, 40 watt lamp, Edwards 51R-G1	450.00
51-0091RK	Flashing alarm light with horn, blue, 115 VAC, 40 watt lamp, Edwards 51B-N5-40W	450.00
51-0091RK-24	Flashing alarm light with horn, blue, 24 VDC, 24 watt lamp, Edwards 51B-G1	450.00
51-0092RK	Flashing alarm light with horn, amber, 115 VAC, 40 watt lamp, Edwards 51A-N5-40W	450.00
51-0092RK-24	Flashing alarm light with horn, amber, 24 VDC, 24 watt lamp, Edwards 51A-G1	450.00
51-0096RK-AMB	Strobe with horn, red housing, 8 to 33 VDC, NEMA 4X, SpectraAlert, with amber lens cover	150.00
51-0096RK-BLU	Strobe with horn, red housing, 8 to 33 VDC, NEMA 4X, SpectraAlert, with blue lens cover	150.00
51-0096RK-RED	Strobe with horn, red housing, 8 to 33 VDC, NEMA 4X, SpectraAlert, with red lens cover	150.00
51-0097RK-01	Strobe with horn, white upper housing, high brightness, 8 to 33 VDC, SpectraAlert, clear lens	150.00
51-0097RK-AMB	Strobe with horn, white housing, 96-132VAC, NEMA 3R, SpectraAlert, with amber lens cover	240.00
51-0097RK-BLU	Strobe with horn, white housing, 96-132VAC, NEMA 3R, SpectraAlert, with blue lens cover	240.00
51-0097RK-RED	Strobe with horn, white housing, 96-132VAC, NEMA 3R, SpectraAlert, with red lens cover	240.00
51-0099RK	Strobe light with horn, white housing, no markings, 8 to 33 VDC, NEMA 4X, SpectraAlert	150.00



51-0090RK / 51-0091RK / 51-0092RK



51-0096RK-RED



51-0090RK / 51-0091RK / 51-0092RK

Fixed Systems Accessories

Lights/Strobes with Horns - 4 Wire (strobe and horn wired separately)

Part#	Description	Suggested Retail
51-0102-AMB	Horn with strobe, standard brightness, white housing, NEMA 3R, 4-wire, 16 to 33 VDC, amber lens, SpectraAlert	205.00
51-0102-RED	Horn with strobe, standard brightness, white housing, NEMA 3R, 4-wire, 16 to 33 VDC, red lens, SpectraAlert	205.00
51-0131-AMB	Horn with strobe, outdoor, panel mounting, 120 VAC, 4 wire, amber lens, Edwards 868STRA-N5.....	550.00
51-0131-AMB-24	Horn with strobe, outdoor, panel mounting, 24 VDC, 24 watt lamp, 4 wire, amber lens, Edwards 868STRA-N5	550.00
51-0131-BLU	Horn with strobe, outdoor, panel mounting, 120 VAC, 4 wire, blue lens, Edwards 868STRB-N5	550.00
51-0131-BLU-24	Horn with strobe, outdoor, panel mounting, 24 VDC, 24 watt lamp, 4 wire, blue lens, Edwards 868STRA-N5	550.00
51-0131-RED	Horn with strobe, outdoor, panel mounting, 120 VAC, 4 wire, red lens, Edwards 868STRR-N5	550.00
51-0131-RED-24	Horn with strobe, outdoor, panel mounting, 24 VDC, 24 watt lamp, 4 wire, red lens, Edwards 868STRA-N5	550.00



51-0131-AMB / 51-0131-BLU



51-0102-AMB / 51-0102-RED

Lights/Strobes and Horns - Hazardous Locations (Class I, Div 2)

Part#	Description	Suggested Retail
51-0030RK-01	Strobe light, red, 115 VAC, Edwards 105FINHR-N5, for hazardous locations, Class I Div 2, with pipe mounting base	440.00
51-0031RK-01	Strobe light, red, 12 - 48 VDC, Edwards 105HISTR-EK, for Class I Div 2, with pipe mounting base	665.00
51-0035RK-01	Strobe light, amber, 115 VAC, Edwards 105FINHA-N5, for Class I Div 2, with pipe mounting base	465.00
52-0005RK	Horn, 115 VAC, Federal Signal 350-WBX, for hazardous locations, Class I Div 2	655.00



52-0005RK
Horn (Class I, Div 2)



51-0035RK-01
Strobe light, amber (Class I, Div 2)



51-0030RK-01
Strobe light, red (Class I, Div 2)

Fixed Systems Accessories

Fixed Systems Replacement Parts and Accessories

<u>Part#</u>	<u>Description</u>	<u>Suggested Retail</u>
06-1248RK	Tubing, polyurethane, 3/16 OD x 5/16 ID, per foot	2.00
06-1251RK	Tubing, polyurethane, 1/4" ID x 3/8" OD, per foot	2.00
18-0400RK-01	Junction box, with spacers (Aluminum)	100.00
18-0400RK-02	Junction box, with spacers (Aluminum) and terminal strip	100.00
21-0519RK	Rain proof housing for GD-K8A	480.00
30-0951RK	Sample drawing adapter with aspirator, LEL (no sensor)	400.00
30-0951RK-01	Flow through adapter, LEL, chamber and fittings only	180.00
30-0951RK-02	Flow through adapter, LEL, chamber with flow meter and fittings only	325.00
30-0951RK-H2S	Sample drawing adapter, air aspirated, for use with NPT style sensor, for Hydrogen Sulfide (H2S) (sensor sold separately)	480.00
30-0951RK-HS-01	Flow through adapter, H2S, chamber and fittings only	230.00
30-0951RK-HS-02	Flow through adapter, H2S, chamber, flow meter and fittings only	440.00
30-0951RK-IR	Sample drawing adapter, air aspirated for IR (sensor sold separately)	420.00
30-0951RK-IR-01	Flow through adapter, IR sensors, chamber and fittings only	180.00
30-0951RK-IR-02	Flow through adapter, IR sensors, chamber with flow meter and fittings only	325.00
30-0951RK-O2/CO	Sample drawing adapter, air aspirated for Oxygen or Carbon Monoxide (sensor sold separately)	420.00
30-0951RK-OC-01	Flow through adapter, O2/CO, chamber and fittings only	180.00
30-0951RK-OC-02	Flow through adapter, O2/CO, chamber, flow meter and fittings only	325.00
33-0165RK	Filter, Millipore, PTFE, Disc type, hydrophobic, EAGLE, Fixed Systems	27.00
33-0401RK	Water Trap assembly with J - tube	600.00
33-2001RK-01	Humidifier tube assembly for cal kits, with 3/16" tubing on ends	100.00
33-2002RK-01	Humidifier, 24" for cal kits, with 3/16" tubing on ends, for EAGLE	280.00
33-6095RK	Charcoal filter for fixed systems, CF-188	38.00
33-7116RK-01	Silicone removal filter for 1/2" NPT LEL sensor	64.00
33-7121RK	Filter, H2S scrubber disk for ESM-01DH-SO2 sensor	5.00
47-1015RK-01	Power cord, SJT, 115 VAC, 8 feet, with bushings, added to fixed systems	38.00
49-4000RK	AC Power supply assembly for M2/M2A, input 100 VAC to 240 VAC, output 24 VDC, mounted in 18-0400RK	195.00
49-4000RK-SS	AC Power supply assembly for M2/M2A stainless steel housing, input 100 VAC to 240 VAC, output 24 VDC, mounted in 18-0400RK	295.00
49-8103RK	Standby battery assembly, 24 VDC, 1.2 AMP hours, for Beacon 110 and Beacon 200	250.00
49-8104RK	Standby battery assembly, 24 VDC, 12 AMP hours, for Beacon 110, Beacon 200, Beacon 410, & Beacon 800	450.00
57-1053RK	Transmitter, S2, LEL, 4-20 mA, standard version, 4 wire (low current) detector	240.00
57-1064RK-01	Transmitter, S2, Oxygen, 0-25%, 4-20 mA, with gasket	225.00
57-1064RK-03	Transmitter, S2, toxics, 4-20 mA, with gasket	225.00
81-1103RK	Calibration cup, for IR 3/4" NPT sensor	15.00
81-1103RK-01	Calibration cup / splash guard, for IR 3/4" NPT sensor, with diffuser holes	40.00
81-1109RK	Cal cup for 82 single gas series, GX-82/86/91B (Not for GX-82A or GX-86A)	50.00
81-1112RK-01	Cal cup with diffuser holes, for 1/2 NPT sensor	45.00
81-1113RK	Cal cup, PS-2, with Screws	5.00
81-1114RK	Cal cup, diffusion, super toxic, GD-K8A, (rim feed)	20.00
81-1116RK	Cal cup/splash guard assembly, for CT7 sensor housing	60.00
81-1117RK	Cal cup, standard, fixed systems, for conduit mounting, LEL/O2/H2S/CO, (NPT type)	40.00
81-1117RK-05	Cal cup, standard, fixed systems, for conduit mounting, LEL/O2/H2S/CO, (NPT type), with CSA	55.00
81-1120RK	Cal cup, for GD-A8 and GD-A8V,w/fitting	100.00
81-1138RK	Cal cup, for ESM-01 diffusion sensors, fixed systems (not for Cl2 or NH3)	48.00
81-1138RK-CL2	Cal cup, for ESM-01 diffusion chlorine sensors, fixed systems	48.00
81-1138RK-NH3	Cal cup, for ESM-01 diffusion ammonia sensors, fixed systems	48.00
81-1190RK	Splash guard for ESM-01 detectors	15.00
82-0101RK	Magnetic wand, for M2 Transmitter, south pole	15.00
82-5100RK	Datalogger, 4-channel, 4-20 mA with software & USB cable	1,800.00
82-5102RK	Datalogger, 1 channel, 4-20 mA input, USB interface, with software & leads, Lascar EL-USB-4	250.00

Fixed Systems Notes

Diffusion Fixed Systems Calibration Kits

Kits for M2A, S2, and Direct Connect

(Non Toxic and Non XP IR)

Cal Cup
Part # 81-1117RK



Part#	Description	Suggested Retail
Carbon Dioxide ppm	81-F407RK02-LV Cal kit, fixed for Direct Connect, non XP, 34L 2000 ppm Carbon Dioxide in N2, 34L cyl 100% N2, reg with gauge & knob, screwdriver, case & tubing	350.00
Carbon Dioxide vol	81-F407RK03-LV Cal kit, fixed for Direct Connect, non XP, 34L 2.5% Carbon Dioxide in N2, 34L cyl 100% N2, reg with gauge & knob, screwdriver, case & tubing	350.00
Carbon Monoxide ppm	81-F201RK Cal kit, fixed, 103L cyl 100 ppm Carbon Monoxide in N2, reg with gauge & knob, cal cup, case & tubing	380.00
	81-F201RK-LV Cal kit, fixed, 34L cyl 100 ppm Carbon Monoxide in N2, reg with gauge & knob, cal cup, screwdriver, case & tubing	295.00
	81-F204RK-LV Cal kit, fixed, 34L cyl 200 ppm Carbon Monoxide in Air, reg with gauge & knob, cal cup, screwdriver, case & tubing	295.00
Hexane LEL	81-F001RK-LV Cal kit, fixed, 34L cyl 15% LEL Hexane in Air, reg with gauge & knob, cal cup, screwdriver, case & tubing	295.00
	81-F001RK Cal kit, fixed, 103L cyl 10% LEL Hexane in Air, reg with gauge & knob, cal cup, screwdriver, case & tubing	380.00
	81-F034RK-LV Cal kit, fixed, 34L cyl 15% LEL Hexane in Air, 34L cyl 100% zero air, reg with gauge & knob, case & tubing	350.00
	81-F038RK-LV Cal kit, fixed, 17L cyl 40% LEL Hexane in Air, 34L cyl 100% zero air, reg with gauge & knob, case & tubing	285.00
Hexane ppm	81-F011RK-LV Cal kit, fixed, 34AL cyl 400 ppm Hexane in Air, humidifier tube, reg with gauge & knob, cal cup, screwdriver, case & tubing	475.00
Hydrogen Sulfide ppm	81-F101RK-LV Cal kit, fixed, 34AL cyl 25 ppm Hydrogen Sulfide in N2, reg with gauge & knob, cal cup, screwdriver, case & tubing	365.00
Hydrogen LEL	81-F004RK Cal kit, fixed, 103L cyl 50% LEL Hydrogen in Air, reg with gauge & knob, cal cup, screwdriver, case & tubing	380.00
	81-F004RK-LV Cal kit, fixed, 34L cyl 50% LEL Hydrogen in Air, reg with gauge & knob, cal cup, screwdriver, case & tubing	295.00
Hydrogen ppm	81-F007RK Cal kit, fixed, 103L cyl 1,000 ppm Hydrogen in Air, humidifier tube, reg with gauge & knob, cal cup, screwdriver, case & tubing	475.00
	81-F007RK-LV Cal kit, fixed, 34L cyl 1,000 ppm Hydrogen in Air, humidifier tube, reg with gauge & knob, cal cup, screwdriver, case & tubing	395.00
	81-F025RK-LV Cal kit, fixed, 34L cyl 2,000 ppm Hydrogen in Air, humidifier tube assembly, reg with gauge & knob, cal cup, screwdriver, case & tubing	395.00
	81-F025RK Cal kit, fixed, 103L cyl 2,000 ppm Hydrogen in Air, humidifier tube assembly, reg with gauge & knob, cal cup, screwdriver, case & tubing	495.00
	81-F024RK Cal kit, fixed, 103L cyl 5,000 ppm Hydrogen in Air, reg with gauge & knob, cal cup, screwdriver, case & tubing	495.00
Isobutane LEL	81-F016RK-LV Cal kit, fixed, 34L cyl 50% LEL Isobutane in Air, reg with gauge & knob, cal cup, screwdriver, case & tubing	295.00
	81-F016RK Cal kit, fixed, 103L cyl 50% LEL Isobutane in Air, reg with gauge & knob, cal cup, screwdriver, case & tubing	380.00
Isopropyl alcohol LEL	81-F018RK-LV Cal kit, fixed, 17L cyl (8 liters gas at 120 psi) 10% LEL Isopropyl Alcohol in Air, reg with gauge & knob, cal cup, screwdriver, case and tubing	305.00
	81-F018RKS-LV Cal kit, fixed, 17L cyl (8 liters gas at 120 psi) 10% LEL Isopropyl Alcohol in Air, dispensing valve, gas bag, screwdriver, case and tubing	210.00
Methane LEL	81-F002RK-LV Cal kit, fixed, 34L cyl 50% LEL Methane in Air, reg with gauge & knob, cal cup, screwdriver, case & tubing	295.00
	81-F002RK Cal kit, fixed, 103L cyl 50% LEL Methane in Air, reg with gauge & knob, cal cup, screwdriver, case & tubing	380.00

Diffusion Fixed Systems Calibration Kits

Kits for M2A, S2, and Direct Connect, continued

(Non Toxic and Non XP IR)

Cal Cup
Part # 81-1117RK



Part#	Description	Suggested Retail	
No Cylinders	81-F001RKNG-LV	Cal kit, fixed for 34L size cylinder (gas sold seperately), reg with gauge & knob, cal cup, screwdriver, case & tubing	240.00
Oxygen	81-F301RK	Cal kit, fixed, 103L cyl Zero Air, 103L cyl 100% N2, reg with gauge & knob, cal cup, case & tubing	535.00
	81-F301RK-LV	Cal kit, fixed, 34L cyl Zero Air, 34L 100% N2, reg with gauge & knob, cal cup, case & tubing	350.00
	81-F302RK-LV	Cal kit, fixed, 34L cyl 100% N2, reg with gauge & knob, cal cup, case & tubing	295.00
	81-F303RK-LV	Cal kit, fixed, 34L cyl 2.0% Oxygen in N2, 34L cyl 100% N2, reg with gauge & knob, cal cup, case & tubing	340.00
Propane LEL	81-F006RK-LV	Cal kit, fixed, 34L cyl 50% LEL Propane in Air, reg with gauge & knob, cal cup, screwdriver, case & tubing	295.00
	81-F006RK	Cal kit, fixed, 103L cyl 50% LEL Propane in Air, reg with gauge & knob, cal cup, screwdriver, case & tubing	380.00

Kits for M2A, S2, and Direct Connect (Toxic ESM-01 sensors)

Cal Cup
Part # 81-1138RK



Part#	Description	Suggested Retail	
	81-F503RK	Cal kit, fixed, 58AL cyl 10 ppm Ammonia in N2, reg with gauge & knob, cal cup for ESM-01-NH3 sensor, screwdriver, case & tubing	590.00
Ammonia	81-F503RK	Cal kit, fixed, 58AL cyl 10 ppm Ammonia in N2, reg with gauge & knob, cal cup for ESM-01-NH3 sensor, screwdriver, case & tubing	590.00
	81-F503RK-LV	Cal kit, fixed, 34AL cyl 10 ppm Ammonia in N2, reg with gauge & knob, cal cup for ESM-01-NH3 sensor, screwdriver, case & tubing	485.00
Arsine	81-F811RK	Cal kit, fixed, 58AL cyl 0.5 ppm Phosphine in N2, reg with gauge & knob, cal cup for ESM-01 toxic sensors (not for Cl2 or NH3), screwdriver, case & tubing	620.00
	81-F811RK-LV	Cal kit, fixed, 34AL cyl 0.5 ppm Phosphine in N2, reg with gauge & knob, cal cup for ESM-01 toxic sensors (not for Cl2 or NH3), screwdriver, case & tubing	540.00
Chlorine	81-F603RK	Cal kit, fixed, 58AL cyl 2 ppm Chlorine in N2, reg with gauge & knob, cal cup for ESM-01-Cl2 sensor, screwdriver, case & tubing	590.00
	81-F603RK-LV	Cal kit, fixed, 34AL cyl 2 ppm Chlorine in N2, reg with gauge & knob, cal cup for ESM-01-Cl2 sensor, screwdriver, case & tubing	495.00
Hydrogen Cyanide	81-F813RK	Cal kit, fixed, 58AL cyl 10 ppm Hydrogen Cyanide in N2, reg with gauge & knob, cal cup for ESM-01 toxic sensors (not for Cl2 or NH3), screwdriver, case & tubing	650.00
	81-F813RK-LV	Cal kit, fixed, 34AL cyl 10 ppm Hydrogen Cyanide in N2, reg with gauge & knob, cal cup for ESM-01 toxic sensors (not for Cl2 or NH3), screwdriver, case & tubing	495.00
Phosphine	81-F811RK	Cal kit, fixed, 58AL cyl 0.5 ppm Phosphine in N2, reg with gauge & knob, cal cup for ESM-01 toxic sensors (not for Cl2 or NH3), screwdriver, case & tubing	620.00
	81-F811RK-LV	Cal kit, fixed, 34AL cyl 0.5 ppm Phosphine in N2, reg with gauge & knob, cal cup for ESM-01 toxic sensors (not for Cl2 or NH3), screwdriver, case & tubing	540.00
Sulfur Dioxide	81-F702RK	Cal kit, fixed, 58AL cyl 5 ppm Sulfur Dioxide in N2, reg with gauge & knob, cal cup for ESM-01 toxic sensors (not for Cl2 or NH3), screwdriver, case & tubing	415.00
	81-F702RK-LV	Cal kit, fixed, 34AL cyl 5 ppm Sulfur Dioxide in N2, reg with gauge & knob, cal cup for ESM-01 toxic sensors (not for Cl2 or NH3), screwdriver, case & tubing	395.00

Diffusion Fixed Systems Calibration Kits

Kits for M2A, S2, and Direct Connect (IR XP sensors)

Cal Cup
Part # 81-1103RK



Part#	Description	Suggested Retail	
Carbon Dioxide ppm	81-F404RK-LV	Cal kit, fixed, 34L cyl 2,000 ppm Carbon Dioxide in N2, 34L cyl 100% N2, reg with gauge & knob, cal cup for IR 3/4" NPT sensor, case & tubing	325.00
	81-F404RK	Cal kit, fixed, 103L cyl 2,000 ppm Carbon Dioxide in N2, 34L cyl 100% N2, reg with gauge & knob, cal cup for IR 3/4" NPT sensor, case & tubing	510.00
Carbon Dioxide vol	81-F408RK-LV	Cal kit, fixed, 34L cyl 15% Carbon Dioxide in N2, 34L cyl 100% N2, reg with gauge & knob, cal cup for IR 3/4" NPT sensor, case & tubing	325.00
	81-F403RK-LV	Cal kit, fixed, 34L cyl 2.5% Carbon Dioxide in N2, 34L cyl 100% N2, reg with gauge & knob, cal cup for IR 3/4" NPT sensor, screwdriver, case & tubing	325.00
	81-F944RK-LV	Cal kit, fixed, 34L cyl 2.5% Carbon Dioxide in N2, 34L cyl Compressed Air, 34L cyl 100% N2, reg with gauge & knob, cal cup for IR 3/4" NPT sensor, cal cup standard, case & tubing	365.00
	81-F406RK03-LV	Cal kit, fixed, 34L cyl 2.5% Carbon Dioxide in N2, 34L cyl 100% N2, reg with gauge & knob, cal cup for IR 3/4" NPT sensor, case & tubing	325.00
Hexane LEL	81-F023RK-LV	Cal kit, fixed, 34L cyl 15% LEL Hexane in Air, reg with gauge & knob, cal cup for IR 3/4" NPT sensor, screwdriver, case & tubing	265.00
Isobutane LEL	81-F031RKIB-LV	Cal kit, fixed, 34L cyl 20% LEL Isobutane in Air, reg with gauge & knob, cal cup for IR 3/4" NPT sensor, screwdriver, case & tubing	270.00
	81-F022RK-LV	Cal kit, fixed, 34L cyl 50% LEL Isobutane in Air, reg with gauge & knob, cal cup for IR 3/4" NPT sensor, screwdriver, case & tubing	270.00
Isopropyl alcohol LEL	81-F028RKIR-IPA	Cal kit, fixed, 17L cyl (8 liters of gas at 120 psig) 10% LEL Isopropyl Alcohol in Air, reg with gauge & knob, cal cup, screwdriver, case & tubing	280.00
Methane LEL	81-F020RK	Cal kit, fixed, 103L cyl 50% LEL Methane in Air, reg with gauge & knob, cal cup for IR 3/4" NPT sensor, screwdriver, case & tubing	355.00
	81-F020RK-LV	Cal kit, fixed, 34L cyl 50% LEL Methane in Air, reg with gauge & knob, cal cup for IR 3/4" NPT sensor, screwdriver, case & tubing	270.00
Pentane ppm	81-F027RKIR	Cal kit, fixed IR diffusion, 103L cyl 1,000 ppm Pentane in Air, reg with gauge & knob, cal cup for IR 3/4" NPT sensor, screwdriver, case & tubing	355.00

Kits for GD-A80 / GD-A80V

Cal Cup
Part # 81-1120RK



Part#	Description	Suggested Retail	
Hexane LEL	81-F009RK-LV	Cal kit, fixed, 34L cyl 15% LEL Hexane in Air, reg with gauge & knob, cal cup for GD-A8 / GD-A8V, screwdriver, case & tubing	355.00
Hexane ppm	81-F010RK	Cal kit, fixed, 103L cyl 400 ppm Hexane in Air, reg with gauge & knob, cal cup for GD-A8 / GD-A8V, screwdriver, case & tubing	520.00
	81-F010RK-LV	Cal kit, fixed, 34AL cyl 400 ppm Hexane in Air, humidifier tube, reg with gauge & knob, cal cup for GD-A8 / GD-A8V, screwdriver, case & tubing	535.00
Hydrogen ppm	81-F039RK-LV	Cal kit, fixed, 34L cyl 1000 ppm Hydrogen in Air, reg with gauge & knob, cal cup for GD-A8 / GD-A8V, screwdriver, case & tubing	455.00
Isobutane LEL	81-F014RK-LV	Cal kit, fixed, 34L cyl 50% LEL Isobutane in Air, reg with gauge & knob, cal cup for GD-A8 / GD-A8V, screwdriver, case & tubing	355.00
	81-F029RKIB-LV	Cal kit, fixed, 34L cyl 20% LEL Isobutane in Air, reg with gauge & knob, cal cup for GD-A8 / GD-A8V, screwdriver, case & tubing	355.00
Isobutane ppm	81-F032RK-LV	Cal kit, fixed, 34L cyl 500 ppm Isobutane in Air, humidifier tube assembly, reg with gauge & knob, cal cup for GD-A8 / GD-A8V, screwdriver, case & tubing	455.00
Methanol LEL	81-F008RK-LV	Cal kit, fixed, 34L cyl 50% LEL Methane in Air, reg with gauge & knob, cal cup for GD-A8 / GD-A8V, screwdriver, case & tubing	355.00

Diffusion Fixed Systems Calibration Kits

Kits For GD-K88Ai

Cal Cup
Part # 81-1114RK



Part#	Description		
Ammonia	81-F501RK	Cal kit, fixed, 58AL cyl 10 ppm Ammonia in N2, reg with gauge & knob, cal cup for super toxic GD-K8A (rim feed), screwdriver, case & tubing	560.00
	81-F501RK-LV	Cal kit, fixed, 34AL cyl 10 ppm Ammonia in N2, reg with gauge & knob, cal cup for super toxic GD-K8A (rim feed), screwdriver, case & tubing	455.00
Carbon Monoxide	81-F203RK-LV	Cal kit, fixed, 34L cyl 50 ppm Carbon Monoxide in N2, reg with gauge & knob, cal cup, screwdriver, case & tubing	275.00
Chlorine	81-F601RK	Cal kit, fixed, 58AL cyl 2 ppm Chlorine in N2, reg with gauge & knob, cal cup for super toxic GD-K8A (rim feed), screwdriver, case & tubing	560.00
	81-F601RK-LV	Cal kit, fixed, 34AL cyl 2 ppm Chlorine in N2, reg with gauge & knob, cal cup for super toxic GD-K8A (rim feed), screwdriver, case & tubing	465.00
	81-F601RK-LVFH	Cal kit, fixed, 34AL cyl 2 ppm Chlorine in N2, reg with gauge & knob, cal cup for super toxic GD-K8A (rim feed), screwdriver, case & tubing, (9 month warranty)	485.00
Hydrogen Cyanide	81-F806RK	Cal kit, fixed, 58AL cyl 10 ppm Hydrogen Cyanide in N2, reg with gauge & knob, cal cup for super toxic GD-K8A (rim feed), screwdriver, case & tubing	560.00
Nitric Oxide	81-F810RK-LV	Cal kit, fixed, 34AL cyl 25 ppm Nitric Oxide in N2, reg with gauge & knob, cal cup for super toxic GD-K8A (rim feed), screwdriver, case & tubing	460.00
Nitrogen Dioxide	81-F804RK	Cal kit, fixed, 58AL cyl 10 ppm Nitrogen Dioxide in Air, reg with gauge & knob, cal cup for super toxic GD-K8A (rim feed), screwdriver, case & tubing	560.00
	81-F804RK-LV	Cal kit, fixed, 34AL cyl 10 ppm Nitrogen Dioxide in Air, reg with gauge & knob, cal cup for super toxic GD-K8A (rim feed), screwdriver, case & tubing	460.00
Ozone	81-F604RK-LV	Cal kit, fixed, 34AL cyl 2 ppm Chlorine in N2, 34L 100% N2, reg with gauge & knob, cal cup for super toxic GD-K8A (rim feed), screwdriver, gas bag, case & tubing (includes special dilution instructions for O3 calibration)	600.00
Phosphine	81-F805RK-LV	Cal kit, fixed, 34AL cyl 0.5 ppm Phosphine in N2, reg with gauge & knob, cal cup, screwdriver, case & tubing	510.00
Silane	81-F809RK	Cal kit, fixed, 58AL cyl 5 ppm Silane in N2, reg with gauge & knob, cal cup for super toxic GD-K8A (rim feed), screwdriver, case & tubing	585.00
Sulfur Dioxide	81-F701RK	Cal kit, fixed, 58AL cyl 5 ppm Sulfur Dioxide in N2, reg with gauge & knob, cal cup for super toxic GD-K8A (rim feed), screwdriver, case & tubing	385.00

Kits for PS 2

Cal Cup
Part # 81-1113RK



Part#	Description		Suggested Retail
Hydrogen LEL	81-PS2H2-LV	Cal kit, 34L cyl 10% LEL (4,000 ppm) Hydrogen in Air, 34L cyl 30% LEL Hydrogen in Air, reg with gauge & knob, cal cup for PS 2, screwdriver, case & tubing	315.00
	81-PS2H2	Cal kit, 103L cyl 10% LEL (4,000 ppm) Hydrogen in Air, 103L cyl 30% LEL Hydrogen in Air, reg with gauge & knob, cal cup for PS 2, screwdriver, case & tubing	500.00
	81-PS225H2-LV	Cal kit, 34L cyl 10% LEL (4,000 ppm) Hydrogen in Air, 34L cyl 25% LEL Hydrogen in Air, reg with gauge & knob, cal cup for PS 2, screwdriver, case & tubing	315.00
Methane LEL	81-PS2CH4	Cal kit, 34L cyl 10% LEL Methane in Air, 34L cyl 25% LEL Methane in Air, reg with gauge & knob, cal cup for PS 2, screwdriver, case & tubing	315.00
Propane LEL	81-PS2PR	Cal kit, 103L cyl 10% LEL Propane in air, 103L cyl 30% LEL Propane in air, reg with gauge & knob, cal cup for PS-2, screwdriver, case & tubing	500.00

Diffusion Fixed Systems Calibration Kits

Kits for M Series

Cal Cup
Part # 81-1109RK



<u>Part#</u>	<u>Description</u>	<u>Suggested Retail</u>
Carbon Monoxide	81-F202RK-LV Cal kit, fixed, 34L cyl 100 ppm Carbon Monoxide in N2, reg with gauge & knob, GX-82/86 cal cup, screwdriver, case & tubing	305.00
Hydrogen Sulfide	81-F102RK-LV Cal kit, fixed, 34L cyl 25 ppm Hydrogen Sulfide in N2, reg with gauge & knob, GX-82/86 cal cup, screwdriver, case & tubing	380.00

Kits for Remote Sample Transmitters

<u>Part#</u>	<u>Description</u>	<u>Suggested Retail</u>
81-FS00RK	Cal kit equipment, fixed, for remote sample calibration cal cups, fits 58AL/103L cylinders, 3.0 LPM reg with gauge & knob, screwdriver, case & tubing (cylinders sold separately)	185.00

Kit for EC-600 & OX-600

<u>Part#</u>	<u>Description</u>	<u>Suggested Retail</u>
73-1202 73-1203 73-1204	81-EC600-LV Cal Kit, fixed for EC-600, 34L cyl 50 ppm CO in N2, reg with gauge & knob, cal cup, case & tubing	300.00
	81-OX600-LV Cal Kit, fixed for OX-600, 100% N2, reg with gauge & knob, cal cup, case & tubing	300.00

Kit for OX-500

<u>Part#</u>	<u>Description</u>	<u>Suggested Retail</u>
72-1002RK	81-OX500-LV Cal Kit, fixed for OX-500, 100% N2, reg with gauge & knob, cal cup, case & tubing	260.00

Kit for SD-1

<u>Part#</u>	<u>Description</u>	<u>Suggested Retail</u>
SD-1GP-CH4	81-SD-1GP-CH4LV Cal Kit, fixed for SD-1GP, 50% LEL CH4/Air 34L, reg, cal cup, case & tubing	375.00

Sample Draw Fixed Systems Calibration Kits

Kits For Sample Draw Heads

Part#	Description	Suggested Retail
Ammonia	81-F501RKS Cal kit, fixed, GD-K7D2/GD-K77D/GD-K71D/GD-K70D, 58AL cyl 10 ppm Ammonia in N2, demand flow reg, screwdriver, case & tubing	695.00
Carbon Dioxide ppm	81-F404RKS-DLV Cal kit, fixed, 34L cyl 2,000 ppm Carbon Dioxide in N2, 34L cyl 100% N2, demand flow reg, screwdriver, case & tubing	465.00
	81-F402RKS-LV Cal kit, fixed, RI-215D, 34L cyl 5,000 ppm Carbon Dioxide in N2, disp valve, gas bag, screwdriver, case & tubing	215.00
Chlorine	81-F601RKDS-LV5 Cal kit, fixed, 34AL cyl 5 ppm Chlorine in N2, demand flow reg, screwdriver, case & tubing	600.00
	81-F601RKS Cal kit, fixed, GD-K7D2/GD-K77D/GD-K71D/GD-K70D, 58AL cyl 2 ppm Chlorine in N2, demand flow reg, screwdriver, case & tubing	695.00
	81-F807RKS Cal kit, fixed, GD-K7D2/GD-K77D/GD-K71D/GD-K70D, 58AL cyl 5 ppm Hydrogen Chloride in N2, high flow reg with gauge & knob, gas bag, screwdriver, case & tubing	540.00
Hexane LEL	81-F001RKS-LV Cal kit, fixed, 34L cyl 15% LEL Hexane in Air, disp valve, gas bag, screwdriver, case & tubing	160.00
Hydrogen Cyanide	81-F806RKS Cal kit, fixed, GD-K7D2/GD-K77D/GD-K71D/GD-K70D, 58AL cyl 10 ppm Hydrogen Cyanide in N2, demand flow reg, screwdriver, case & tubing	695.00
Hydrogen Sulfide	81-F101RKS-01 Cal kit, fixed, 58AL cyl 5 ppm Hydrogen Sulfide in N2, 103L cyl Zero Air, reg with gauge & knob, gas bag, case & tubing	515.00
	81-F101RKS Cal kit, fixed, 58AL cyl 25 ppm Hydrogen Sulfide in N2, demand flow reg, screwdriver, case & tubing	515.00
Hydrogen LEL	81-F004RKS-LV Cal kit, fixed, 34L cyl 50% LEL Hydrogen in Air, disp valve, gas bag, screwdriver, case & tubing	160.00
	81-F005RKS-LV Cal kit, fixed, 34L cyl 50% LEL Hydrogen in Air, 34L cyl Zero Air, dispensing valve, gas bag, screwdriver, case & tubing	225.00
Hydrogen ppm	81-F017RKS-LV Cal kit, fixed, 34L cyl 1,000 ppm Hydrogen in Air, 34L cyl Zero Air, humidifier tube assembly, dispensing valve, gas bag, screwdriver, case & tubing	260.00
Isopropyl alcohol LEL	81-F018RKS-LV Cal kit, fixed, 17L cyl (8 liters gas at 120 psi) 10% LEL Isopropyl Alcohol in Air, dispensing valve, gas bag, screwdriver, case and tubing	210.00
Methane LEL	81-F002RKS-LV Cal kit, fixed, 34L cyl 50% LEL Methane in Air, dispensing valve, gas bag, screwdriver, case & tubing	160.00
Nitrogen Dioxide	81-F804RKS-LV Cal kit, fixed, 34AL cyl 2 ppm Nitrogen Dioxide in Air, high flow reg with gauge & knob, gas bag, screwdriver, case & tubing	440.00
Phosphine	81-F808RKS-LV Cal kit, fixed, GD-K7D2/GD-K77D/GD-K71D/GD-K70D, 34AL cyl 0.5 Phosphine in N2, 34L cyl 100% N2, two regs with gauge & knob, gas bag, screwdriver, case & tubing	670.00
Sulfur Dioxide	81-F701RK-DLV Cal kit, fixed, GD-K7D2/GD-K77D/GD-K71D/GD-K70D, 34AL cyl 5 ppm Sulfur Dioxide in N2, demand flow reg, screwdriver, case & tubing	490.00
	81-F701RKS Cal kit, fixed, GD-K7D2/GD-K77D/GD-K71D/GD-K70D, 58AL cyl 5 ppm Sulfur Dioxide in N2, demand flow reg, screwdriver, case & tubing	515.00

Kits For RI-215A

Part#	Description	Suggested Retail
Carbon Dioxide ppm	81-F405RK-LV Cal kit, fixed, RI-215A, 34L cyl 2,000 ppm Carbon Dioxide in N2, 34L cyl 100% N2, reg with gauge & knob, screwdriver, case & tubing	315.00
	81-F402RK-LV Cal kit, fixed, RI-215A, 34L cyl 5,000 ppm Carbon Dioxide in N2, reg with gauge & knob, case & tubing	315.00
Carbon Dioxide vol	81-F401RK-LV Cal kit, fixed, RI-215A, 34L cyl 2.5% Carbon Dioxide in N2, reg with gauge & knob, case & tubing	315.00

Part # Prefixes

Prefix	Description	Page #
06-	Tubing	172
07-	O-ring, Gasket, Grommet, Foam Insert	172
08-	Adhesive, Epoxy, Cement	173
10-	Screws, Bolts, Threaded Studs	173
11-	Nuts, Washers, Retaining Rings	174
13-	Strap, Handle, Belt Clip, Straps, Thumb Screws, Captive Fasteners	174
14-	Bracket, Spacers, Standoffs, Insulators	175
15-	Spring Clips, Hose Clamps, Battery Contacts	175
17-	Tube Fittings, Hose Fittings	175
18-	J-Box, Cable Bushing, Conduit Fittings	176
20-	Carrying Cases, Soft Cases	177
21-	Cases, Housings, Mounting Plastic	177
22-	Rack Panels, Blank Panels	179
29-	Labels, Membrane Switches, Nameplates	???
30-	Pump, Pumps Spare Parts, Aspirator Bulbs, Fans	179
31-	Flowmeter, Pressure Sensor, Pressure Regulators	181
32-	Valves, Solenoid Valves	181
33-	Filters, Filter Membranes, Water Traps	181
35-	Flow Assembly, Flow Block, Manifolds, Dummy Plugs	183
41-	Pots	185
43-	Switches, Fuses	185
44-	Relays	185
45-	Battery Holders, Connectors, Sockets	185
46-	Knobs, Covers	185
47-	Extender Cables, Shrink Tubing, Wire, Cable	186
48-	Transformers, Inductors	186
49-	Batteries, Chargers	186
50-	Meters, Meter Dials	188

Prefix	Description	Page #
51-	Displays, Lights, LED	188
52-	Buzzers, Horns	190
54-	IC's, Diodes, Transistors, Amplifiers, Eproms	190
57-	PCB Assemblies, Voltage Regulators	191
60-	Filaments, Flame Arrestors	193
61-	Combustible Sensors, IR Detectors, Combustible Detector Heads	193
62-	LEL & MOS Sensors, Detector Tubes	195
65-	Detector Heads, Toxic Sensors, Oxygen Sensors, Paper Tapes	195
71-	Manuals, Videos, CD's	200
72-	Instruments-Portables & Fixed Controllers	200
73-	Instruments, Fixed Heads	232
75-	Adders to Instruments	234
80-	Probe, Hoses	236
81-	Gases, Cal Kit, Regulator, Pumps, Cal Cups	236
82-	Data logging Packages, Software	257
83-	Instrument Software	258
90-	Field Service	258
91-	Labor	258
DEM-	IR Sensors	259
EC-	RM-580 Modules	259
EL-	Element Sensor	259
ES-	Sensor, electrochemical	259
ESM-	Sensor with memory	260
FP-	Paper Tape	263
GD-	Fixed Heads, Riken	262
GE-	Sensors	267
HW	Sensors, LEL	268
NC	Sensors, LEL	268

Numerical Index

Part#	Description	Suggested Retail
04-0450RK	Rod,porous polyethylene,1/8 Dia,70micron,1 foot long	54.00
06-0200RK	Cal gas fitting plug,for first DataCal 2000 module	2.00
06-0201RK	Exhaust fitting plug,for last DataCal 2000 module	2.00
06-1198RK	Tubing,polyurethane 4 X 2.5MM,per foot,yellow,for RX-517	1.60
06-1199RK	Tubing,polyurethane 4 X 2.5MM,per foot,clear	0.50
06-1200RK	Tubing,polyurethane,4 x 6 mm,clear,per foot	0.80
06-1210RK-01A	Tubing,5 x 7 mm,green polyurethane,8 inch length w/fitting,for DM-2003	30.00
06-1213RK	Tubing,5 x 8 mm,fluorine (viton)	12.80
06-1225RK	Tubing, polyurethane, 3/16" x 3/8", black,per foot	3.00
06-1225RKC	Tubing,polyurethane,3/16" x 3/8",clear	3.00
06-1242RK	Tubing,polypropylene,1/4" OD X 1/8" ID,per foot	2.00
06-1242RK-01	Tube,polypropylene,1/4" OD X 1/8" ID x 7.5" long	3.00
06-1248RK	Tubing, polyurethane, 3/16 OD x 5/16 ID, per foot	2.00
06-1248RK-03	Calibration Tubing, polyurethane, 3/16 OD x 5/16 ID, 3'	4.50
06-1248RK-10	Tubing,polyurethane,3/16' x 5/16';10 ft length	9.00
06-1248RK-215A	Tubing assembly for RI-215A diffusion cal kit,3 feet	6.80
06-1250RK	Tubing, polyurethane, 1/4" x 5/16",black,per foot	1.00
06-1251RK	Tubing, polyurethane, 1/4" ID x 3/8" OD, per foot	2.00
06-1252RK	Tubing 1/8" ID x 1/4" OD, per foot	2.00
06-1254RK	Tubing,5/16" ID x 7/16" OD,polyurethane,clear	3.00
06-1268RK	Tubing,teflon(FEP),4mm OD X 2mm ID	3.50
06-1272RK	Tubing,teflon,6X4MM,PTFE	3.80
06-1273RK	Tubing, teflon, semi-rigid, for EAGLE inlet super toxic gas versions, (standard type, order by the foot, 3 ft max)	5.00
06-1283RK	Tubing, teflon/polyurethane, 1/4" OD x 1/8" ID, 3', for toxic gas cal kits	12.00
07-0008RK	Battery hold down pad, Eagle	0.65
07-0009RK	ISB PC Board hold down pad, Eagle	0.80
07-0029RK	Sensor gasket for GasWatch 2	2.00
07-0033RK	Gasket,CT-7 Sensor Housing	1.20
07-0034RK	Gasket,Seal,CT-7 Sensor Flow block	0.60
07-0039RK	Gasket,CT-7 Sensor Housing,Non-XP	1.00
07-0053RK	Gasket,sealing CT7/Oxygen sensor.	2.00
07-0100RK	Gasket,GX-82 det block Sockets	2.00
07-0101RK	Gasket,425 ID x .520 OD x.015	2.00
07-0102RK	Gasket,125 IDx.297 ODx.02,Buna	0.25
07-0103RK	Gasket,.31x.50x.015,neoprene	0.75
07-0104RK	Gasket,Eagle Case,die cut	6.00
07-0105RK	Gasket,2.00 x 1.38 x .25,Poron	4.00
07-0106RK	Gasket, EAGLE LEL, special gases (donut for heavy hydrocarbons)	0.50
07-0107RK	Gasket,.75 x .58 x .093,neoprene	1.75
07-0114RK	Foam pad,for terminal PCB,M2	2.00
07-0115RK	Foam pad,for terminal PCB,M2,Crouse-Hinds Housing	2.00
07-0122RK	Gasket,oxygen detector, explosion proof	3.00
07-0129RK	Gasket,Oxygen detector,non-explosion proof	1.30
07-0131RK	Gasket, battery pack seal for EAGLE 2	4.50
07-0133RK	Gasket, buzzer for EAGLE 2	6.00
07-0135RK	Gasket,.150 IDx.296 ODx.022,Buna	0.25
07-0201RK	Rubber cushion, for battery clips, EAGLE	2.00
07-0203RK	Boot, filter, for ES-1531-CO filter	9.60
07-0213RK	Rubber Pad,1/16"Thk,Battery Clip,Eagle 2	1.00
07-0214RK	Rubber Pad,3/16"Thk,Battery Clip,Eagle 2	1.20
07-2002	Filter packing for SP-220, black	3.00
07-2005RK	Gasket, filter/screen retaining, RP-2009/RP-6/GX-2003/GX-2012/Gas Tracer	15.00
07-2015RK	Gasket,for GP-204 exhaust & inlet fitting	0.50
07-2016RK	Gasket,case,SC-01	8.00
07-2017RK	Housing gasket for sensor chamber, RP-2009	5.00
07-2033	Gasket for sensor, fluorine contained rubber	5.40
07-6000RK	O-ring for inlet fitting of RP-2009/RP-6/GX-2003/GX-2012/Gas Tracer	1.00
07-6001RK	O-ring,for RP-6 battery compartment	15.00
07-6003RK	O-ring,9.25 mm ID x 1.14 mm thick,for GX-2003 HC & CO filter holders	1.50
07-6005RK	Gasket,case,GasWatch 2	1.00

Numerical Index

Part#	Description	Suggested Retail
07-6006RK	Gasket,buzzer,GasWatch 2	2.00
07-6007RK	O-ring,for battery cover,GasWatch 2	2.00
07-6008RK	O-ring gasket for sensor case, GX-2009, 1 each	7.00
07-6009RK	Battery cover gasket for GP-01	13.00
07-6010RK	Gasket,housing/sensor retainer,GP-01	5.00
07-6011RK	O-ring for battery cover screw,GP-01	2.00
07-6013RK	Gasket,back plate,GX-2001	5.00
07-6017RK	Gasket for GX-2009 case, one each	2.50
07-6018RK	Gasket for buzzer hole, GX-2009	6.00
07-6019RK	Sensor chamber gasket for sensor retainer, GX-2009, 1 each	7.00
07-6020RK	O-ring for EAGLE probe	0.90
07-6021RK	Gasket, sensor retainer, 1 each	2.00
07-6024RK	Battery pack gasket, GX-2012 / Gas Tracer	14.00
07-6025RK	Main case gasket, GX-2012 / Gas Tracer	6.00
07-6026RK	Sensor gasket, GX-2012 / Gas Tracer	6.00
07-6027RK	O-ring,battery compartment sealing, RP-2009	1.25
07-6030RK	O-ring,for Killark HKB junction box	8.25
07-6031	Gasket for battery compartment cover on 03 series	2.00
07-6032	Gasket between front and rear case of 03 series	2.40
07-6033	Sensor gasket for 03 series.....	2.00
07-6034	Rubber sheet around buzzer on main board of 03 series.....	1.40
07-6035	O-ring, rubber exhaust sealing for GX-6000	1.20
07-6036	Gasket for top cover, black rubber for GX-6000	9.00
07-6038	Gasket for cover, black rubber for GX-6000	11.00
07-6039	Rubber joint for pressure sensor, black for GX-6000.....	15.00
07-6040	Gasket for sensor chamber (sensor cover), black rubber for GX-6000	11.00
07-6041	Sensor gasket, fluorine rubber, for GX-6000	32.00
07-6042	Gasket for BUD-6000, EPDM black, for GX-6000	9.00
07-6043	Gasket for pump, black rubber for GX-6000	15.00
07-6045	O-ring JASO 2026 EPDM, for SP-220	3.00
07-7008RK	O-ring,.176 ID x .070,buna-N	0.25
07-7010RK	O-ring,.239 ID X .070,BN	0.30
07-7011RK	O-Ring, .301 ID x .070 BN	1.00
07-7014RK	O-ring,.489 ID X .070,BN	0.30
07-7014RK-10	O-ring,.489 ID X .070, viton (for AL regulators)	1.00
07-7016RK-01	O-ring,.614 ID X .070, QUAD BN	1.00
07-7020RK	O-ring, .864 ID X .070,BN	0.50
07-7028RK	O-ring,1.364 ID X .070,BN,for O2 sensor blocks.....	0.50
07-7070RK-50	O-ring,7.00ID X.076,BN,50 durometer,Eagle 2 Main Case Gasket	4.00
07-7123RK	O-ring,1.174 ID X .103,BN (EAGLE oxy seal)	0.50
07-7206RK-50	O-ring,0.484 ID x .139,Buna,50 durometer	1.40
07-7210RK	O-ring, .609ID x .139W, Viton, 50 Durometer.....	3.00
07-7218RK	O-ring,0.734 ID x .139, buna	1.00
07-7225RK	O-ring,1.234 ID x .139, buna	1.00
07-7300RK	O-ring,0.315 ID x .039, BN	0.25
07-7301RK	O-ring, .078 X .030, Pogo-Pin, Eagle 2	1.40
07-7304RK	O-ring, .850ID x .21W, Viton, 50 Durometer	6.00
08-0077RK	E-6000 sealant (for replacing membrane switch)	8.00
08-0078RK	Nozzle,Sniptips,for E-6000 tube.....	1.00
10-0027RK	Screw,MS,2-56 X 1/4,PH,philips	0.25
10-0109RK	Screw,MS,4-40X 1/4 PH,philips	0.25
10-0119RK	Screw,MS,4-40X3/8 FH,philips	0.25
10-0121RK	Screw,4-24x3/8,thread forming,phillips	0.50
10-0129RK	Screw,MS,4-40x1/2 PH,philips	0.25
10-0133RK	Screw,MS,4-40X 3/4 PAN,philips	0.25
10-0139RK	Screw,MS,4-40 x 1 1/8 PH,philips	0.25
10-0194RK	Screw,6-32 X 1/4,PAN,philips,SS.....	0.25
10-0196RK	Screw, 6-32 x 3/16,pan,slotted,SS	0.25
10-0200RK	Screw,6-32X5/16,PAN,philips,SS	0.25
10-0209RK	Screw,6-32 X 3/8,PAN,philips,SS.....	0.25
10-0209RK-01	Screw,6-32x3/8,w/O-ring,SS	1.00

Numerical Index

Part#	Description	Suggested Retail
10-0214RK	Screw,6-32 X 1,PAN,philips,SS	0.25
10-0271RK	Screw,MS,6-32X1.38,PAN,philips	1.00
10-0356RK	Screw,8-32 x 1/2,pan head,SS,phillips	0.25
10-0376RK	Screw,MS,8-32 x 3/4,pan head phillips,SS	0.40
10-0377RK	Screw,MS,8-32 x 7/8,pan head phillips,SS	0.25
10-0475RK	Screw,10-32 x 1 PHMS,phillips,SS	0.30
10-0531RK	Screw,1/4-20 x 1.5",button hex socket head,SS	0.50
10-1092RK	Truss screw M2 x 5	0.40
10-1093RK	Screw M2 x 6	0.50
10-1095RK	Screw,M2 x 5,Tras head,phillips,SS	0.50
10-1095RK-02	Screw,M2 x 5,Tras head,phillips,SS,pack of 6 screws	4.00
10-1095RK-03	Screw set, all screws for GX-2003	7.40
10-1096RK	Screw, M2 x 5 mm pan head, phillips, stainless steel	0.25
10-1097RK	Screw, M2 x 2.5 mm for battery cover of GasWatch 2	0.40
10-1098RK	Screw with split lock and flat washers for alligator or belt clip, GX-2009, 1 each	0.25
10-1099RK	Screw, M2 x 4 mm, pan head, phillips, stainless steel, GP-01	0.40
10-1100RK	Screw, 0 x 4.5 mm, flat head phillips, self tapping, stainless steel, GX-2001	0.40
10-1100RK-02	Replacement screw sets, 2 screw types, 2 sets of 8, GX-2001	6.50
10-1100RK-03	Screw sets, 8 case screws and 4 battery cover screws for GasWatch 2	7.00
10-1104RK	Screw for case or sensor retainer, M2 x 10 mm, GX-2001 or GX-2009, 1 each	0.25
10-1105-01	Screw, M 2 x 8 mm, pan head phillips, with washer, SUSXM7, for 03 series	4.00
10-1105RK	Screw, M2 x 8 mm, pan head phillips, stainless steel, GP-01	0.30
10-1108RK	Screw M2 x 16	1.00
10-1110-01	Screw,truss hd,phillips,M3x6 mm,SS,w/self retaining plastic washer	5.00
10-1114RK	Screw,3 x 8mm,plux pan head,self tapping,phillips,SS	0.25
10-1132	Screw M3 x 8, SUS304	1.80
10-1141RK	Screw, M2.5 x 3mm, pan head phillips, stainless steel, GP-01	0.25
11-0024RK	Nut,cap (acorn),4-40 x 1/4 hex,one piece,SS	0.60
11-0104RK	Nut,1/4-20,thin,nylon insert	0.25
11-0212RK	Washer,INT. TOOTH,2-56	0.25
11-0222RK	Washer,FLAT,#4,.125 ID x .28 OD x .026 thk	0.25
11-0231RK	Washer,split lock,#6	0.25
11-0232RK	Washer,FLAT,SS,#6 x .375 OD	0.25
11-0240RK	Washer,flat,#8,.375 OD x .172 ID x .031	0.25
11-0241RK	Washer,split lock,#8	0.25
11-0311RK	Washer, Nylon, .50 OD x .167 ID x .093 Thk	0.48
11-4020RK	Nut,hex,M8 x 1.25	0.40
11-4021RK	Nut,hex flange,M8 x 8 mm,13 mm hex,stainless steel	0.40
11-5090RK	Washer, flat,2.2 mm x 4.3 mm x 0.3 mm, for sensor adapter retaining, RP-2009	3.00
13-0100RK	Shoulder Strap with RKI logo, EAGLE / EAGLE 2	28.00
13-0105RK	Watchband replacement, GasWatch 2	7.00
13-0108RK	Clip, Plastic, Hardhat	2.00
13-0112RK	Wrist strap	4.00
13-0113RK	Neck strap with breakaway, GasWatch 2/GX-2001	8.00
13-0114RK	Alligator clip, small, -01 series	2.60
13-0116RK	Alligator clip, GX-2009	28.00
13-0117RK	Belt clip, GX-2009, includes 3 installation screws	20.00
13-0118RK	Belt clip, GX-2012 / Gas Tracer	24.00
13-0119	Clip,alligator,with mounting screws,new type,GX-2009	28.00
13-0121	Alligator Clip for 03 series (requires 13-0204RK for installation)	25.00
13-0122	Belt Clip for 03 series	18.00
13-0123	Belt clip with installation screws for GX-6000	28.00
13-0190RK	Shoulder strap, GX-82/-94	13.00
13-0201RK	Ring,split,.875" dia,stainless steel,EAGLE	0.25
13-0202RK	Belt clip for GX-2001	15.00
13-0203RK	Shaft pin,belt clip retaining,GX-2001	2.00
13-0204RK	Spring bar with outer tube for 03 Series and wrist band of GasWatch 2	1.00
13-0209RK-10	Bracket w/Alligator Clip, GX-2001	6.00
13-0211RK	Belt clip for GasWatch 2	18.00
13-0212RK	Bracket,Clip,Snap-on,Gaswatch 2	14.00
13-0212RK-11	Bracket w/retaining clip,for hard hat clip,for GW2	20.00

Numerical Index

Part#	Description	Suggested Retail
13-0213RK	Belt clip for -01 series	14.00
13-0215RK	Alligator clip for SC-01 & OX-07	12.40
13-0216RK	Alligator clip mounting bracket for SC-01	3.50
13-0217RK	Belt clip for SC-01	9.00
13-1061RK	Panel Screw,Captive,6-32 x 1/2,PH Phillips,SS	2.50
13-1070RK	Panel screw,captive,10-32 x 1.75,SS	12.00
13-1080RK	Thumbscrew,captive,1/4-20x1.56	6.00
13-1081RK	Thumbscrew, captive, 10-32 x 2.0, EAGLE 2	10.60
13-1115RK	Screw, M3 x 7.5 mm, captive panel for battery cover of GP-01	2.00
13-1116	Screw for battery compartment cover of 03 series	4.00
13-1121RK	Screw,captive panel,M4 x 10 mm,Ni plated brass,for RX-415 battery cover	4.50
13-6022-01	Din rail & end clamps kit to wall mount for one GX-6000 charger	9.00
13-6025-01	Din rail & end clamps kit to wall mount for up to four GX-6000 charger	14.00
14-0003RK	Insulator,ISB/Battery,Eagle	6.00
14-0003RK-01	Insulator,IS barrier/battery, w/foam pad	8.00
14-0004RK	Insulator,analog PC Board,Eagle	2.50
14-0010RK	Insulator,Main PC Board,Eagle 2	2.00
14-0042RK	Bracket,wall mtg,for 2 - 12 channel RM-590 multicase	25.00
14-0059RK	Bracket,hanging, for 18-0400RK.	7.00
14-0101RK	Bracket,Case assembly,Eagle	14.00
14-0102RK	Strap,O2 CELL, Eagle	4.00
14-0103RK	Strap, LEL Sensor,Eagle	2.00
14-0104RK	Bracket, TOXICS CELL,Eagle.	12.50
14-0115RK	Bracket,for ES-23,GD-K8A	20.00
14-0138RK	Adapter Plate, Beacon 800 Power Supply	13.00
14-0139RK	Plate, Mounting, S2 Conversion Kit	14.00
14-0141RK	Strap for ESM-01 / IR sensors	5.60
14-0400	Bracket,wall mounting,for BC-2009	8.80
14-0401	Wall mounting bracket for SDM-6000	76.00
14-0402	Connection brackets, set of 2, with screws, for connecting the SV-3 solenoid to SDM-6000	54.00
14-0403	Connection brackets, set of 3, with screws, for connecting the SDM-6000 units together	76.00
14-0570RK-01	Standoff,hex,6-32X9/16,M/F,SS	1.50
14-0573RK-01	Standoff,hex,6-32X1,M/F,SS	4.00
14-0578RK	Standoff,hex,6-32x1 5/8,m/f,AL	1.40
14-1108RK	Standoff,round,for M2 display PCB	2.00
14-1109RK-01	Standoff assy w/jack & washer, terminal PCB retaining, for Killark jbox, M2A	6.25
14-1109RK-02	Standoff assy w/jack & two washers, terminal PCB retaining,for Crouse Hinds jbox, M2A	6.50
15-0050RK	Battery contact,PC Board mounting,solder	0.35
15-0100RK	Spring,.337 OD x.820 OD x .65 long	8.00
15-0500	Battery contact short for 03 series	5.00
15-0501	Battery contact piece (-) for 03 series	2.50
15-0502	Battery contact piece (+) for 03 series	2.50
15-0503	Spring for positive battery contact on FP-31	4.00
15-0504	Battery spring A for FP-31	2.40
15-0505	Battery spring B for FP-31	3.50
15-0522RK	Battery contact spring, battery cap, RP-2009	7.50
15-0523RK	Battery charger spring contacts for GX-2009 charger, BC-2009	2.00
16-0200RK	Flame arrestor ftg,1/2 NPT male x 1/4 NPT fem,XFA2	150.00
17-0480RK	Exhaust fitting, EAGLE 2	8.00
17-0500RK	Fitting,quick Connector/barb,3/16ID tubing	4.00
17-0504RK	Adapter,for probe handle,Eagle	25.00
17-0505RK	Fitting,w/1/8 NPT male/1641 male	8.00
17-0512RK	Fitting,1/8 NPT male/M8 x 1.25	20.00
17-0513RK	Fitting,1641 male x 1/8 NPT fem	12.60
17-0514RK	Fitting,1641 fem x 1/8" NPT fem	32.00
17-0515RK	Fitting,probe adptr,M8 x 1641 male	10.00
17-0517RK	Ftg,1/8 barb x 10-32 w/.032 dia. restriction	4.00
17-0519RK	Fitting,restrictor,for Eagle ST bypass	8.00
17-0520RK	Dilution fitting,internal,approx 1:1,extra sample	28.00
17-0522RK	Exhaust fitting, 1/8" hose barb	10.00
17-0524RK	Fitting,restrictor,w/.055 dia hole	6.00

Numerical Index

Part#	Description	Suggested Retail
17-0599RK	Rubber elbow,fluorine,2.5 mm ID x 4.5 mm ID,grey	4.00
17-0600RK	Rubber elbow,fluorine, grey	4.00
17-0601RK	Rubber elbow for internal filter, EAGLE & others	2.00
17-0602RK	Tee,PP,1/8 ID	0.80
17-0603RK	TEE, PP, 3/32 ID	0.80
17-0604RK	TEE, PP , 5/32 ID	0.80
17-0605RK	ELBOW,PP,BARB,3/32' ID	0.80
17-0606RK	ELBOW,PP,BAR,5/32" ID	0.80
17-0607RK	Wye,acetal,barb,1/8 ID	2.00
17-0608RK	Wye,PP,barb,3/32 ID	1.00
17-0610RK	HOSE BARB, PP, 10-32 X 3/32 ID	0.35
17-0612RK	Hose barb,PP,10-32 x 5/32 ID	0.50
17-0630RK	Elbow,adj,10-32X.093 barb,brass	10.00
17-0633RK	Fitting,STRT,10-32X.093 barb,nickel	4.40
17-0635RK	Fitting,strt,10-32x.190 barb,Ni pl+B238	4.40
17-0639RK	Fitting, 10-32 Male to .19 Tube ID Barb, Ni Pl Brass	4.60
17-0640RK	HOSE BARB,1/8FP X 3/32 ID HOSE	0.60
17-0645RK	Barb,1/8NPT male/3/16 ID hose,stainless steel	26.00
17-1000RK	Inlet fitting (also needs o-ring 07-6000RK)	8.80
17-1001RK	Tapered rubber inlet nozzle, 4", RP-2009/RP-6/GX-2003/GX-2012/Gas Tracer	8.00
17-1015RK	Fitting,4x6 tube/GX-7 fem	16.60
17-1016RK	Hose fitting,4x6mm/GX-7 male	15.00
17-1021RK	Fitting,1/4" x 1/8" tube/GP-204 type male thread,w/O-ring	9.20
17-1022RK	Fitting,1/4" x 1/8" tube/GX-7 type female coupling	16.60
17-1025RK	Hose coupler, female, EAGLE, EAGLE 2	20.00
17-1026RK	Hose coupler, male, EAGLE, EAGLE 2	10.00
17-1027RK	Fitting,1641 female x M8	40.00
17-1030RK	Inlet fitting,FP-30	6.50
17-1031	Tapered nozzle, rubber, red, for GX-6000 inlet	9.00
17-2500RK	Fitting,1/8 PT male x 4x6 tube,RKK type	9.00
17-2500RK-01	Nut/ferrule/tube support,4x6 tube,for RKK fitting	5.80
17-2501RK	Fitting,1/4 PT male x 4x6 tube,RKK type	6.00
17-2503RK	Fitting,1/4 PT male x 1/4x5/32 inch tube,RKK type	7.50
17-2503RK-02	Ferrule only,1/4 x 5/32 inch tube,for RKK fitting 17-2503RK	1.50
17-2550RK	Fitting,1/4 tube x 1/8 NPT male,brass	8.00
17-2673RK	Ferrule,front,1/4 tube,SS,Swagelok	3.60
17-2674RK	Nut for ferrules,1/4 tube,SS,Swagelok	6.00
17-2678RK	Ferrule,back,1/4 tube,SS,Swagelok	3.00
17-2893RK	Bulkhead female connector,1/4" T X 1/8" NPT female,SS	48.00
17-3505RK	Fitting,1/4 tube x 1/8 NPT male,316 stainless steel	21.00
17-4410RK	Fitting,reducer,3/16 to 1/8 Tubing	0.50
17-4411RK	Fitting,reducer,1/4 to 5/32 Tubing	0.50
17-4430RK	Fitting,reducing tee,3/16 inch x 3/16 inch x 1/8 inch,polypropylene	1.00
17-4430RK-01	Bypass tee probe w/GX-7 quick disconnect,for GX-2003 / GX-2012/Gas Tracer purge sampling	20.00
17-4710	Sample port plug, barbed for SDM-6000 inlet ports	5.60
17-4807RK	Inlet fitting, plastic for Br2/F2/HCl/HF/CLO2/O3 EAGLES	4.00
17-4809RK	Ftg.,1/4 tube x 1/8 NPT male	2.00
17-5010RK	Hose Coupler, Male, Inlet, Calibration Station, Eagle 2	24.00
18-0001RK	Reducer,3/4 NPT male x 1/2 NPT female,xplprf	7.00
18-0003RK	Conduit plug, 3/4",for Class I, Groups A,B,C,&D	5.40
18-0020RK	Plug,hole,for 1.093 inch hole,.030 - .125 inch panel thickness,santoprene 85 shore A	2.00
18-0050RK	Cable bushing,for .13-.25 cable	14.00
18-0051RK	Cable bushing,for .25 - .38 cable	15.00
18-0058RK	Cable bushing,for .31 - .56 diameter cable,steel,for 3/4" conduit hub	16.00
18-0061RK	Cable bushing,for .125 - .375 diameter cable,steel,for 3/4" conduit hub	15.50
18-0107RK	Conduit hub,3/4",w/gnd Screw	14.00
18-0123RK	Conduit nut,locking,3/4	1.00
18-0350RK	Duct mounting adapter with 1/2" NPT thread	18.00
18-0351RK	Duct mounting adapter with 3/4" NPT thread	16.00
18-0400RK	J-box,GRP B, ADA#XIHSFCF3,grey	95.00
18-0400RK-01	Junction box, with spacers (Aluminum)	100.00

Numerical Index

Part#	Description	Suggested Retail
18-0400RK-02	Junction box, with spacers (Aluminum) and terminal strip	100.00
18-0405RK-01	J-box w/o lid, machined for xmtrs	160.00
18-0406RK	J-box lid,standard blank,for Killark HKB.....	140.00
18-0416RK-11	Junction box w/cover,2 port,stainless steel	200.00
18-0417RK-11	Junction box with cover,4 port,stainless steel	220.00
18-0431RK-02	Junction Box,2 Port, Alum,Cooper C Hinds,EIH 21 Series,Tapped for M2	160.00
20-0110-02	Case for GX-6000 plus hose & probe, charger, AC adapter, and manual	80.00
20-0110RK-01	Case for 1-3 cylinders,17/34L/34AL, with foam.....	75.00
20-0111RK-01	Case for 3 cylinders with foam, 58AL/103L	120.00
20-0112-04	Case for GX-6000 plus hose & probe, charger, AC adapter, one cylinder cal kit, and manual.....	120.00
20-0112RK-01	Padded carrying case for GX-2001 or GX-2009 and accessories	62.00
20-0112RK-02	Padded carrying case for GX-2001 or GX-2009, aspirator, and cal kit.	160.00
20-0112RK-03	Case with foam, for GX-2003 with accessories & cal kit with one cylinder	110.00
20-0113RK-01	Padded carrying case for GX-2001 only	30.00
20-0114-03	Case for GX-6000 plus hose & probe, charger, AC adapter, two cylinder cal kit, and manual.....	175.00
20-0114RK-01	Case with foam, for GX-2003 with accessories & cal kit with 2 cylinders	175.00
20-0114RK-02	Case with foam for cal kit with 4 cylinders	215.00
20-0115RK-01	Padded carrying case for one GX-2009 or 03 series instrument and charger only	48.00
20-0121RK	Case for 2 Cylinders, 58AL/103L.....	56.00
20-0252RK	Vinyl cover for GP-204	26.00
20-0273	Carrying case with shoulder strap, for GP/NC-1000	110.00
20-0281RK	Carrying case, leather for GX-8000/RX-8000	220.00
20-0311RK	Vinyl case for GX-2001	5.00
20-0315RK	Rubber boot for GX-2001	10.00
20-0316RK	Rubber bumper, sensor end for -01 series	3.00
20-0317RK	Rubber bumper, battery end for -01 series	3.00
20-0318RK	Rubber protective boot with belt clip for GX-2003	28.00
20-0320RK	Carrying case, camera style for GX-2009, GX-2012, Gas Tracer, GX-2001, or GX-2003 (with logo)	25.00
20-0321RK	Leather case,RFI resistant,GX-2003	20.00
20-0322RK	Rubber boot for SC-01 & OX-07	20.00
20-0324RK	Protective cover for GX-2009, vinyl	34.00
20-0325	Rubber boot for 03 series	14.00
20-0326	Rubber protective boot for GX-6000	38.00
20-0327	Carrying case with shoulder strap for NC-1000	96.00
20-0328	Protective rubber boot for SP-220	38.00
20-0602RK	Waterproof padded carrying case for GX-82/-86/-94, instrument and accessories	100.00
20-0640RK	Carrying case, padded for EAGLE/EAGLE 2 & RX-415/RI-415, with space for instruments and accessories	180.00
20-0640RK-1	Case w/foam,Eagle and access (RX-415 also)	210.00
20-0642RK	Carrying case, padded for EAGLE / EAGLE 2 instrument with space for calibration kit and accessories ...	320.00
21-0250RK	Weather proof cover for GD-A80, GD-A8 & GD-D8	140.00
21-0251RK	Weather proof cover,box type, for GD-A80V, GD-A80, GD-A8/A8V	220.00
21-0401	Housing, polycarbonate with clear cover for up to 4 MTL5500 series barriers	460.00
21-0402	Housing, polyester with clear cover for up to 10 MTL5500 series barriers	1,300.00
21-0500RK-01	Case,MACH,PIONEER,Beacon 410,Beacon 800	380.00
21-0506RK-01	Housing,machined for Beacon 200	320.00
21-0506RK-02	Housing,machined for Beacon 200 rig monitor w/strobe/horn.	380.00
21-0519RK	Rain proof housing for GD-K8A	480.00
21-0539	Housing,weatherproof,304 stainless steel,for GD-K88Ai	700.00
21-0601RK	EAGLE Top case, RF sprayed	60.00
21-0601RK-02	Top case,EAGLE,for loud buzzer, case only	80.00
21-0610RK	Top case assembly, standard EAGLE, complete	675.00
21-0610RK-01	Top Case,Eagle,no PC Board or Connectors,CSA label	120.00
21-0610RK-05	Top Case,Eagle,no PC board/connector,CSA/UL label	120.00
21-0611RK	Bottom case assembly,EAGLE, standard 4 gas (no sensors)	1,100.00
21-0611RK-16	Bottom case, EAGLE without flow system/fittings/bracket, standard (no sensors).....	180.00
21-0611RK-16IR	Bottom case, EAGLE,without flow system/fittings/bracket,IR (no sensors)	180.00
21-0611RK-NSB	Bottom case assy,Eagle,no sensors/analog PCB	600.00
21-0640RK	Assy,Top Case,Eagle 2.....	400.00
21-0640RK-01	Assy,Top Case,Replacement,w/Handle/Labels/Strap Rings,Eagle 2.....	150.00
21-0641RK-04	Assy,Bottom Case,Replacement,w/o Flow System and Inlet Fitting,Eagle 2	180.00
21-0642RK	Battery enclosure for EAGLE 2, (batteries not included)	160.00

Numerical Index

Part#	Description	Suggested Retail
21-1062RK	Battery cover for the GX-2003	18.00
21-1062RKP	Battery cover,GX-2003,as purchased	15.00
21-1069RK	Battery Cover,SP-205ASC	17.50
21-1140	LCD Module for NC-1000	50.00
21-1807RK	Charcoal filter knob,GX-8000	3.50
21-1808RK	Charcoal filter case (lid) for GX-8000/RX-8000	3.50
21-1809	Filter case with nipple,for tobacco filter,GX/RX-8000	3.50
21-1810	Front cover w/display window label,RX-8000	65.00
21-1811	Tube for oxygen sensor,RX-8000	8.75
21-1822RK	Sensor case (inner section) for GX-2001, with PCB assembly	38.00
21-1823RK	Sensor filter retainer, GX-2001	24.00
21-1824RK	Sensor retainer (outer section), GX-2001	38.00
21-1825RK	Replacement case assembly with window & CSA label, GX-2001, Red (old style)	60.00
21-1825RK-10	Replacement case assembly with window & CSA label, GX-2001, Red (new style)	60.00
21-1826RK	Replacement rear metal cover plate, GX-2001	6.00
21-1827RK	Top case,w/power knob and control panel label,RP-6	20.00
21-1828RK	Bottom case,plastic,RP-6	4.50
21-1829RK	Battery cap for RP-6 pump	6.00
21-1832RK	Filter holder, clear plastic, RP-6	7.00
21-1833RK	Filter holder, clear plastic, RP-2009/GX-2003/GX-2012/Gas Tracer/GX-6000	7.50
21-1834RK	Sensor cap for GasWatch 2.....	3.00
21-1835RK	Top (upper) case assy,blue,GW-2X	55.00
21-1840RK	Bottom case assy,orange,GW-2H	24.00
21-1849RK	Sensor retainer assembly for -01 series	15.00
21-1852RK	Case, housing assembly, -01 series	80.00
21-1855RK	Battery contact assembly for battery cover, -01 series	9.00
21-1856RK	Battery cover with screw & gasket, -01 series	10.00
21-1857RK	Filter holder (for CO and LEL sensors), GX-2003	8.00
21-1858RK	Sensor cap, with flow chamber, GX-2003	45.00
21-1859RK	Top cover assembly, GX-2003	48.00
21-1860RK	Front case assembly with label and buzzer gasket, GX-2003	60.00
21-1861RK	Rear case assembly with battery springs, cover knob, and gasket, GX-2003	60.00
21-1875RK	Battery cover for SC-01 & OX-07	12.00
21-1876RK	Sensor retainer with rubber guard and o-rings for SC-01 & OX-07	70.00
21-1877RK	Upper case assembly w/switch overlay,SC-01	55.00
21-1878RK	Bottom case assembly w/label for battery orientation,SC-01	40.00
21-1880RK	Front case, GX-2009	52.00
21-1881RK	Case, rear, GX-2009	85.00
21-1882RK	Sensor retainer, GX-2009 (inner piece)	28.00
21-1883RK	Sensor case with PCB assembly, GX-2009	70.00
21-1884RK	Sensor cover, GX-2009 (outside piece)	10.00
21-1885RK	Sensor cap assembly, GX-2009 (8 parts)	66.00
21-1886RK-01	Upper case,SM-2009U,with switch overlay and Air/Cal labels	58.00
21-1887RK	Top case,BC-2009	6.00
21-1889RK	Main case assembly, GX-2012	150.00
21-1890RK	Top cover assembly, GX-2012/Gas Tracer	76.00
21-1891RK	Main case assembly, Gas Tracer	150.00
21-1892RK	Sensor cap assembly, GX-2012/Gas Tracer	76.00
21-1895RK	Battery cap for RP-2009 pump	10.00
21-1896RK	Main case assembly, RP-2009.....	50.00
21-1897RK	Top case assembly, RP-2009	10.00
21-1898RK	Sensor adapter assembly for sensor chamber, RP-2009	10.00
21-1908	Battery compartment cover for 03 series	5.00
21-1909	Battery contact holder for 03 series	3.00
21-1910	Rear case for GP-03 and OX-03	16.00
21-1911	Rear case for CO-03 and HS-03	16.00
21-1912	Front case for 03 series	16.00
21-1913	Front case assembly for 03 series	20.00
21-1915RK	Window plate,RX-415	15.00
21-1919	Window,for RX-517 case.....	15.00
21-1920RK	Upper case,complete,for RX-517	60.00

Numerical Index

Part#	Description	Suggested Retail
21-1926	LCD protection film for instrument display for GX-6000, GP-1000, & NC-1000	5.40
21-1926-01	LCD protection film for instrument display, pack of 5 for GX-6000, GP-1000, & NC-1000	26.00
21-1927	Mounting plate for instrument removal, OX-600 (optional for alkaline version only)	12.00
21-1928	Case assy,front,GX-6000	160.00
21-1929	Protection case, L1225L, black, for GX-6000	2.00
21-1935	Panel cover for side fittings of SDM-6000	7.45
21-1936	Filter case, IP252BR1, for NC-1000	18.00
21-1937	Top cover assembly for NC-1000	176.00
21-1940	Battery lid for FP-31, GP-1000, & NC-1000.....	5.40
21-1941	Battery lid locking plate for FP-31, GP-1000,& NC-1000	2.00
21-1942	Top case assembly for FP-31	68.00
21-3000RK	Mounting Plate,flow system,Eagle	15.00
22-0250RK	Blank panel plate, RM-580	15.00
22-0252RK	Panel, blank plate, RM-5000	18.00
24-5000RK	Flexible printed circuit (FPC), GX-2009	18.00
25-0032RK	Cap,CT-7 sensor,non expl prf	15.00
29-0013RK	Label,RKI logo,.49 x 1.79.....	2.25
29-0024RK	Label,service/cal date,generic	1.40
29-0025RK	Label,service/cal date,RKI	1.10
29-0035RK	Label,overlay,display,Eagle	8.95
29-0041RK-02	Label,Buzzer/LED,UL/CSA,Eagle.....	10.00
29-0048RK	Label,serial no.,Eagle	0.88
29-0049RK	Label,Battery arrangement,Eagle	0.80
29-0050RK	Label,CH4 elim. Switch,Eagle.....	8.00
29-0052RK	Label,battery charger,Eagle	1.40
29-0084RK	Label,overlay,Beacon 800	34.00
29-0089RK	Label,flow block,H2S/CO,Eagle	0.66
29-0145RK	Label,door overlay,Beacon 200	20.00
29-0176RK-02	Label,serial number,Beacon 200 rig monitor.	1.75
29-0338RK	Label, switches, EAGLE 2	10.80
29-0339RK	Label, display overlay, EAGLE 2	12.00
29-0470RK	Label, Beacon 200 , Quick Reference for Menus	1.20
29-0642RK	Label,control button,black,w/glow in dark letters,GX-2003.....	9.00
29-0643RK	Label,membrane switch,01 series	6.00
29-0645-01	Label set,case sensor and model(GX-2009),CH4/O2/H2S/CO,Type A,GX-2009	1.50
29-0645RK	Label,case sensor,LEL/O2/H2S/CO,Type A,GX-2009	1.25
29-0648RK	Label, control panel, RP-2009	7.50
29-0649RK	Label,front panel/membrane switch,RI-85	70.00
29-0651	Label, silver, RKK address for 03 series	0.50
29-0652	Label, front for GP-03	6.00
29-0653	Label, front for OX-03	6.00
29-0654	Label, front for CO-03	6.00
29-0655	Label, front for HS-03	6.00
29-5000RK	Label, Membrane Switch, EAGLE	31.50
29-6100	Water immersion sensing seal, adhesive backed for 03 series, GX-6000, and SP-220.....	15.00
2905-04-4320	Battery Pack, GP-226 (new type, universal)	175.00
30-0001RK	Pump with no cable for FP-85, FP-30, and FP-40	200.00
30-0002RK	Pump,w/cable and connector,CP201A-1A,SM-2009/SDM-2009	365.00
30-0004RK	Pump assembly with chamber, GX-85N	190.00
30-0006RK	Pump assembly for NP-85	190.00
30-0008RK	Pump assembly, for GX-4000A, NP-237H, GX-7, RP-D9H, complete.....	280.00
30-0009RK	Pump,OX-226,RP-D8H	240.00
30-0012RK	Pump assembly for RI-411A / RI-413A	70.00
30-0014RK	Pump assembly for GP-226	190.00
30-0015RK	Pump replacement for RP-6 or GX-2003	135.00
30-0017RK	Pump assembly for RI-415	380.00
30-0019RK	Pump assembly for RX-415	230.00
30-0020RK	Pump with cable and connector,RX-515/RX-516/RX-517,CP-201A	360.00
30-0022RK	Pump replacement for GX-2012/Gas Tracer/RP-2009/GX-6000/FP-31/NC-1000, with cable and connector	140.00
30-0023RK	Pump with cable and connector, RP-11, for GX-8000/RX-8000	350.00
30-0311RK	Pump diaphragm only, for RP-6 or GX-2003	26.00

Numerical Index

Part#	Description	Suggested Retail
30-0312RK	Check valve,for DM-2001/DM-2003 exhaust port.....	6.00
30-0401RK	Aspirator bulb for P-200 Series, with tubing	21.00
30-0500RK	Inlet Fitting, GP-204/NP-204	9.50
30-0501RK	Exhaust fitting,GP-204	9.50
30-0505RK	Inlet Fitting, XP-204	8.00
30-0522RK	Inlet fitting, standard, metal, quick disconnect, female, EAGLE/1641/GX-4000A	38.00
30-0522RK-01	Retrofit kit,Eagle super toxic to std inlet ftg	50.00
30-0522RK-02	Retrofit kit, standard EAGLE to standard inlet with hose & probe fitting.....	90.00
30-0523RK	Inlet fitting, metal type (all gases except Cl2, O3, and HF), SC-90	8.30
30-0600RK-01	Pump, internal, with connector, EAGLE/EAGLE 2/RP-GX-94	195.00
30-0608RK	Pump rebuild kit,for 30-0600RK-01 (pump version 7.51.82) (current standard)	50.00
30-0610RK	Pump,diaphragm,24VAC,Schwarzer,fixed system,SP100	175.00
30-0611RK	Rebuild kit,head/diaphragm/gasket,for 30-0610RK	38.00
30-0903RK	Aspirator,Air-Vac AVR112H,1/8 NPT	75.00
30-0951-CSA	Sample drawing adapter,aspirator,CSA LEL(w/o sensor)	400.00
30-0951-CSA-01	Flow through adapter,CSA LEL,chamber & brass ftgs only	180.00
30-0951-CSA-01S	Flow through adapter,CSA LEL,chamber & stainless steel ftgs only	230.00
30-0951-CSA-02	Flow through adapter,CSA LEL,chamber w/flowmeter & tube fittings	325.00
30-0951-CSA-03	Flow through adapter,LEL,chamber w/flowmeter w/valve & tube fittings	340.00
30-0951RK	Sample drawing adapter with aspirator, LEL (no sensor)	400.00
30-0951RK-01	Flow through adapter, LEL, chamber and fittings only.....	180.00
30-0951RK-02	Flow through adapter, LEL, chamber with flow meter and fittings only	325.00
30-0951RK-03	Flow through adapter, LEL, chamber with flow meter, valve and tube fittings	340.00
30-0951RK-H2S	Sample drawing adapter, air aspirated, for use with NPT style sensor, for Hydrogen Sulfide (H2S) (sensor sold separately)	480.00
30-0951RK-HS-01	Flow through adapter, H2S, chamber and fittings only	230.00
30-0951RK-HS-02	Flow through adapter, H2S, chamber, flow meter and fittings only	440.00
30-0951RK-IR	Sample drawing adapter, air aspirated for IR (sensor sold separately)	420.00
30-0951RK-IR-01	Flow through adapter, IR sensors, chamber and fittings only	180.00
30-0951RK-IR-02	Flow through adapter, IR sensors, chamber with flow meter and fittings only	325.00
30-0951RK-IR01S	Flow through adapter,IR,chamber and SS fittings only	200.00
30-0951RK-O2/CO	Sample drawing adapter, air aspirated for Oxygen or Carbon Monoxide (sensor sold separately)	420.00
30-0951RK-OC-01	Flow through adapter, O2/CO, chamber and fittings only	180.00
30-0951RK-OC-02	Flow through adapter, O2/CO, chamber, flow meter and fittings only	325.00
30-0952RK	Sample cup with regulator & flowmeter, toxic sensor (H2S/CO)	300.00
30-0954RK-201	Aspirator panel for one LEL M2A transmitter, with flow switch	3,000.00
30-0954RK-202	Aspirator panel for two LEL M2A transmitters, with flow switch	3,300.00
30-0954RK-203	Aspirator panel for one oxygen or toxic M2A transmitter, with flow switch	3,000.00
30-0954RK-204	Aspirator panel for two oxygen or toxic M2A transmitters, with flow switch	3,300.00
30-0954RK-205	Aspirator panel for one IR M2A transmitter, with flow switch	3,000.00
30-0954RK-206	Aspirator panel for two IR M2A transmitters, with flow switch	3,300.00
30-0954RK-207	Aspirator panel for one LEL and one oxygen or toxic M2A transmitter, with flow switch	3,300.00
30-0954RK-208	Aspirator panel for one LEL and one IR M2A transmitters, with flow switch	3,300.00
30-0954RK-209	Aspirator panel for one oxygen or toxic and one IR M2A transmitters, with flow switch	3,300.00
30-0954RK-209D	Aspirator panel for one H2S and one IR M2A transmitters, with dilution fitting for H2S and flow switch	3,600.00
30-0954RK-221	Aspirator panel for one LEL Direct Connect or S2 transmitter, with flow switch.....	3,000.00
30-0954RK-222	Aspirator panel for two LEL Direct Connect or S2 transmitters, with flow switch	3,300.00
30-0954RK-223	Aspirator panel for one oxygen or toxic Direct Connect or S2 transmitter, with flow switch	3,000.00
30-0954RK-224	Aspirator panel for two oxygen or toxic Direct Connect or S2 transmitters, with flow switch	3,300.00
30-0954RK-225	Aspirator panel for one IR Direct Connect or S2 transmitter, with flow switch	3,000.00
30-0954RK-226	Aspirator panel for two IR Direct Connect or S2 transmitters, with flow switch	3,300.00
30-0954RK-227	Aspirator panel for one LEL and one oxygen or toxic Direct Connect or S2 transmitter, with flow switch	3,300.00
30-0954RK-228	Aspirator panel for one LEL and one IR Direct Connect or S2 transmitters, with flow switch.....	3,300.00
30-0954RK-229	Aspirator panel for one oxygen or toxic and one IR Direct Connect or S2 transmitters, with flow switch	3,300.00
30-0954RK-250	Aspirator Adapter,plate mounted,w/flow switch,for 65-3050RK	3,000.00
30-0954RK-261	Aspirator panel for one LEL Direct Connect or S2 transmitter, with flow switch.....	3,000.00
30-0954RK-263	Aspirator panel for one oxygen or toxic Direct Connect or S2 transmitter, with flow switch	3,000.00
30-0954RK-264	Aspirator panel for two oxygen or toxic Direct Connect or S2 transmitters, with flow switch	3,300.00
30-0954RK-265	Aspirator panel for one IR Direct Connect or S2 transmitters, with flow switch	3,000.00
30-0954RK-266	Aspirator panel for two IR Direct Connect or S2 transmitters, with flow switch	3,300.00
30-0954RK-267	Aspirator panel for one LEL and one oxygen or toxic Direct Connect or S2 transmitter, with flow switch	3,300.00

Numerical Index

Part#	Description	Suggested Retail
30-0954RK-268	Aspirator panel for one LEL and one IR Direct Connect or S2 transmitters, with flow switch.....	3,300.00
30-0954RK-269	Aspirator panel for one oxygen or toxic and one IR Direct Connect or S2 transmitters, with flow switch	3,300.00
30-0954RK-405	Aspirator Adapter,in NEMA 4X enclosure w/ flow switch,one IR,in 18-0431RK/18-0432RK J-box	4,400.00
30-0954RK-463	Aspirator Adapter,in NEMA 4X enclosure w/ flow switch,one OXY/Toxic,in 18-0416RK J-box	4,400.00
30-1002	Pump head,for MV-11R	180.00
30-1004RK	Pump,MV-11R,115VAC, GD-D8/D8V	180.00
30-1005RK	Diaphragm assembly,for MV-11R	38.00
30-1006RK	Pump,MV-11R,100VAC,GD-D8/D8V	180.00
30-1010RK	Pump,RP-10R,115VAC,for GD-S/K8DG,K7D	120.00
30-1011RK	Valve/diaphragm assy,complete, for MV-10R, GD-K8DG/GD-K11D	38.00
30-1012RK	Diaphragm replacement only, for MV-10R, GD-K8DG	16.00
30-1013RK	Pump,GD-K11D/V11D,115 VAC,w/conn & cable,RP-10R-4	160.00
30-1015RK	Pump,for GD-K7D2,115 VAC,w/conn & cable,RP-10R-3	150.00
30-1016RK	Pump,for GD-K7D2/GD-K77D/1017,24 VDC,w/conn & cable, RP-D24A-1	150.00
30-1017RK	Pump,MV-11R-2,24 VAC,GD-D8DC	200.00
30-1018RK	Pump,for GD-K71D,24 VAC,RP-D24S	160.00
30-1020RK	Pump, RP-70 for GD-70D	55.00
30-1021RK	Pump,RP-D24A-1,FP-300	96.00
30-1022RK	Diaphragm/flapper valve/pump head w/chopping plate,for RP-D24A-1 pump (30-1015RK)	55.00
30-1040RK	Pump,for FP-250A, MV-600G-A	180.00
30-1052RK	Vibration motor, --01 series	26.00
30-1053RK	Vibration motor, GX-2003/GX-2012/Gas Tracer.....	32.00
30-1054RK	Vibration motor for the GX-2009 and GX-6000	32.00
30-1055	Vibration motor for 03 series	20.00
30-2001RK	Replacement Pump only, RP-GX-91B	125.00
31-0003RK	Flowmeter/ .2 - 2 SCFH, Dwyer	36.00
31-0022RK	Flowmeter,0.2 - 1.0 SCFH,w/valve,SS ftgs	105.00
31-0023RK	Flowmeter,0.2 - 2.0 SCFH,w/valve,SS ftgs	105.00
31-0023RK-01	Flowmeter,0.2 - 2.0 SCFH,w/valve,w/male 1641 quick disconnect,for Eagle flow measurements	120.00
31-0023RK-02	Flowmeter,0.2 - 2.0 SCFH,w/valve,w/hosebarb fitting,for GX-2012 flow measurements	140.00
31-0025RK	Flowmeter,1-10 SCFH,1/8 FNPT stainless ftgs,w/o valve	74.00
31-0030RK	Flowmeter,0.6 - 5 SCFH, stainless steel ftgs,1/8 NPT,without valve	75.00
31-1001RK	Flow sensor assy w/tapered glass tube,GD-K7D2.....	200.00
31-1001RK-01	Flow meter column (glass and ball) only,for 31-1001RK/GD-K7D2/GD-K71D/GD-K77D	80.00
31-1002RK	Flowmeter assembly for FP-301	260.00
31-1011-01	Flow sensor for GD-70D	80.00
31-1011RK	Flow sensor for GD-70D	75.00
31-2050ARK	Terminal,QC FOR 31-2050RK	0.60
31-2050RK	Sensor, pressure differential for EAGLE, 0 - 10 mm H2O	28.00
31-2055RK	Sensor,pressure,0-100mm H2O	58.00
31-2056RK	Sensor,pressure,0-100mm H2O,(Normally closed.)	58.00
31-2062RK	Flow switch,1.589 SCFH,NO,acrylic,1/8 NPT fem	144.00
31-3000RK	Regulator,pressure,w/gauge,300 psi in/5-50 psi out	70.00
31-3100	Pressure gauge,replacement for demand flow regulator,0-1000 PSI scale	30.00
32-0021RK	Valve,spool,3-way,1/8 NPT fem,moment push button,brass,nickle plated	54.00
32-0021RK-01	Push button,captivated,valve stem 3/16 DIA,black,brass housing,nickel plated	4.25
32-0031RK	Valve,mechanical air,3-way,2-Position,1/4 NPT 3-port,lever actuated,aluminum body	80.00
32-0031RK-01	Valve with hose barbs and sample tube for two cylinders to connect to a single calibration station gas port	110.00
32-0211RK	Solenoid Valve,3-Way,Alum,Multi-Purpose,12VDC,1 Watt	72.00
32-0501RK	Check Valve, 1/8 Barb x 1/8 Barb, PP body, EPDM O-ring, .07 PSI cracking pressure	24.00
32-0502RK	Check Valve,3/16 Barb x 3/16 Barb,PP Body,EPDM O-Ring,.011 PSI Cracking Pressure,SS Spring	16.00
32-0504RK	Check Valve,5/16 Barb x 5/16 Barb,PP Body,EPDM O-Ring,.011PSI/Cracking PressureSS/spring	16.00
33-0151RK	Filter,hydrophobic,.2um,1/8 NPTM,ACRO-50	34.00
33-0153	Filter disks, teflon for SP-220, pack of 5	8.00
33-0156RK-01	Replacement hydrophobic filter element for probe, (pack of 5), EAGLE / EAGLE 2 probe	14.00
33-0156RK-100	Replacement hydrophobic filter element for probe (pack of 100), EAGLE / EAGLE 2 probe	200.00
33-0157RK	Waterproof cover for sensors, with adhesive back, for diffusion EAGLE	1.50
33-0158RK	Sensor cover, waterproof sheet for 4 sensors, GX-2001	4.00
33-0159RK	Teflon filter disc, 10 pieces, RP-2009/RP-6/GX-2003/GX-2012/Gas Tracer/GX-6000/NC-1000	24.00
33-0160RK	Dust filter, internal, plastic, GX-4000 / RX-415	2.40

Numerical Index

Part#	Description	Suggested Retail
33-0163RK	Filter,Balston DFU9933-05-DQ (light blue)	54.00
33-0164RK	Filter, oil mist removal, Balston, 9900-05-BK, EAGLE / EAGLE 2 / marine	40.00
33-0165RK	Filter, Millipore, PTFE, Disc type, hydrophobic, EAGLE, Fixed Systems	27.00
33-0165RK-01	Filter, Millipore, PTFE, w/Tubing	27.00
33-0166RK	Sensor cover, disc, 10 pack, GasWatch 2 / -01 series	18.00
33-0167RK	Filter, particulate, CF-8369	25.00
33-0169RK	Hydrophobic membrane, adhesive backed, for control panel face, RP-2009	5.40
33-0171RK	Filter replacement, AcroPak 300 with PTFE membrane, 0.2 um	140.00
33-0171RK-01	Filter, installed internally, AcroPak 300 with PTFE membrane, 0.2 um	140.00
33-0171RK-02	Filter, AcroPak 300, added to Eagle, field installed	140.00
33-0172-100	Sensor Cover, water proof, sheet for 4 sensors, GX-2009, pack of 100 sheets	300.00
33-0172RK	Sensor Cover, water proof, sheet for 4 sensors, GX-2009, 1 each	6.00
33-0173RK	Filter, internal, hydrophobic, EAGLE 2	10.00
33-0174RK	Hydrophobic membrane, adhesive backed, for top of main case, RP-2009	5.00
33-0175	Sensor membrane, PF020 for 03 series	1.80
33-0178	Dust filter for SP-220, set of 5 pieces	15.00
33-0179	Hydrophobic filter for main case of NC-1000	3.60
33-0180	Hydrophobic filter disk, for CF-8385, GX-8000/RX-8000, pack of 10	12.00
33-0401RK	Water Trap assembly with J - tube	600.00
33-0402RK	Water trap w/20 uM filter/threaded bowl, 1/4 NPT	150.00
33-0402RK-01	Water trap w/threaded bowl, 1/4 tube ftgs	175.00
33-0402RK-02	Water trap w/threaded bowl, 1/4 tube SS ftgs	195.00
33-0403RK	Filter element, 20 uM, for 33-0402RK	26.00
33-0413RK-02	Filter element, 5 micron, for parker filter 14F15BB (also for 33-0414RK)	32.00
33-0413RK-10	Filter, Water Trap, 5 micron element, polycarb bowl, female 1/4"NPT, mod for aspirator plate	95.00
33-0550RK	Buzzer Cover w/adh back, .5 dia, EAGLE	1.20
33-0560-01	Electrode Stack, 0-50 ppm, (1 electrode) for GX-6000 PID	60.00
33-0560RK	Electrode stack for PID, 0 - 50 ppm (2 per pack)	115.00
33-0561RK	Electrode stack for PID, 0 - 2,000 ppm (2 per pack)	52.00
33-0562	Electrode Stack, 0-6,000 ppm, (1 electrode) for GX-6000 PID	44.00
33-0601RK	Glass Bowl Only, 1641 Moisture trap	10.00
33-1031RK	Cotton balls, filters for probe, bag of 25	4.00
33-1036RK	Filter body, plastic, for 80-0150RK probe	6.00
33-1041RK	Rubber cup probe tip, for soil surveys	25.00
33-1050RK-01	Probe body, exhaust half, w/1/8 NPT female port	12.00
33-1050RK-02	Probe body, inlet half, w/1/8 NPT female port	12.00
33-1110RK	Filter tube only, RP-5, SP-205	6.00
33-1112RK	Wire mesh disk filter, RP-2009/RP-6/GX-2003/GX-2012/Gas Tracer/GX-6000, 10 pack	15.00
33-1112RK-01	Filter disk, metal mesh, RP-6/GX-2003, for Service use	3.00
33-1113RK	Metal mesh filter for buzzer hole, GX-2009, 1 each	6.00
33-1116RK	Filter body (no tube) RP-5, SP-205	15.75
33-1200RK	Particle filter replacement, 5 microns, for new style EAGLE 2 probes (not for use with PID sensors)	3.00
33-2001RK-01	Humidifier tube assembly for cal kits, with 3/16" tubing on ends, 6"	100.00
33-2002RK	Humidifier, 24" Nafion tube with 1/8" hose barbs, ME-110-24BB	280.00
33-2002RK-01	Humidifier, 24" for cal kits, with 3/16" tubing on ends, for EAGLE	280.00
33-3013	Filter element, particle, polypropylene/polyethylene for GX-6000 probe	2.00
33-3013-10	Filter element, particle, polypropylene/polyethylene for GX-6000 probe, pack of 10	20.00
33-3014RK	Tobacco filter, GX-7/GX-8000/RX-8000/FP-31, pack of 10	5.00
33-3015RK	Filter, pleated paper type for 80-0182RK probe	7.00
33-3016RK	Hydrophobic filter, replacement, GX-4000A	8.00
33-3017RK	Filter, tobacco type, internal for OX-227	1.50
33-3040RK	MC filter w/Cartridge without flow monitor	160.00
33-3040RK-SS	MC filter w/out flow monitor, stainless steel	160.00
33-3040RK-SS-01	MC filter w/out flow monitor, stainless steel, w/plastic tube fittings	110.00
33-3041	MC filter w/Cartridge w/flow monitor, for GD-D5C	150.00
33-3050RK	MC filter w/Cartridge w/flow monitor	180.00
33-3050RK-SS	MC filter w/flow monitor, stainless steel	220.00
33-3051RK	Dust filter insert, pleated paper, MC filter with flow monitor	30.00
33-3051RK-SS	Dust fltr insert, SS, for MC fltr w/flow monitor	100.00
33-3052RK	Glass bowl only, for MC filter w/o flow monitor	40.00
33-3053RK	Glass bowl only, for MC filter with flow monitor	40.00

Numerical Index

Part#	Description	Suggested Retail
33-3054RK	Dust filter insert, pleated paper,MC filter without flow monitor	30.00
33-3054RK-SS	Dust fltr insert,SS,for MC fltr w/out flow monitor	70.00
33-3056RK	Filter with flow monitor, RI-415/NP-237H, quick connect/strt on ends	195.00
33-3057RK	Filter with flow monitor for RX-415, quick connect fittings on both ends	195.00
33-3058RK	Filter,waterproof,for filter tube,RX-515/516/517	8.00
33-3059RK	Filter tube with flow monitor, for RX-515/RX-516/RX-517	180.00
33-3060RK	Filter tube without filter for GX-8000/RX-8000	18.00
33-3061	Filter tube,with cotton,CF-8385,GX/RX-8000	70.00
33-6010RK-01	CO2 Scrubber with fitting and tubing for standard EAGLE / EAGLE 2	48.00
33-6010RK-02	Scrubber,CO2, w/tubing,for super toxic inlet fitting EAGLE	42.00
33-6010RK-04	Scrubber,CO2,with 3/16 inch ID x 5/16 inch OD tubing stub	44.00
33-6011RK	H2S Scrubber, for SO2 EAGLE	60.00
33-6012RK	Scrubber,H2S,for fixed systems	46.00
33-6013RK	Scrubber,NO,w/Purafil & charcoal,w/hose barbs for 3/32 tubing	90.00
33-6014RK	Scrubber,NO,w/Purafil,w/hose barbs for 3/32 ID tubing	80.00
33-6014RK-01	Scrubber,NO,w/Purafil,w/hose barbs for 5/32 ID tubing	80.00
33-6015RK	CO2 scrubber, CF-283 for GX-6000/RX-515/RI-85	55.00
33-6016RK	Filter, H2S scrubber, for NH3/SO2 Eagle versions	110.00
33-6017	H2S removal cartridge filter CF-8390	44.00
33-6020RK	Filter, G-92, Zeolite, for ASH3 sensors, fixed systems / EAGLE	40.00
33-6090RK	Charcoal filter replacement, GX-4000A / EAGLE 2	8.50
33-6090RK-02	End Cap,Charcoal Filter,Eagle 2 (for GX-4000 filter)	12.00
33-6091RK	Charcoal filter replacement, EAGLE	12.00
33-6091RK-02	END Cap,Charcoal filter,Eagle	12.50
33-6095RK	Charcoal filter for fixed systems, CF-188	38.00
33-6097RK	Charcoal filter,CF-8376	44.00
33-6099	Charcoal filter cartridge for SP-220, CF-8392	23.00
33-7001RK	Charcoal,bag,replacement	10.00
33-7009	Silicone scrubber disk, 5 pack for GX-2009	10.00
33-7015RK	Filter,silicone removal.....	75.00
33-7101RK	Charcoal Filter for CO sensor (GX-82A/-86A), fixed system CO sensors	6.00
33-7102RK	Filter, charcoal, for CO sensor, pack of 5, GX-2009/GX-2012/Gas Tracer/GX-6000	10.00
33-7103RK	Charcoal filter for GX-94 CO sensor, with packing ring	4.00
33-7106RK	Filter, charcoal, for CO sensor, strip of 5, GX-2001, GasWatch 2, & CO-03	12.00
33-7107RK	Filter set, 5 pack (1 charcoal & 4 H2S filters per pack), GX-2001	28.00
33-7108RK	Filter set (5) for LEL sensor, GX-2003	34.00
33-7109RK	Filter set (5) for CO sensor, GX-2003	18.00
33-7110RK	Filter kit for GX-2003	60.00
33-7112RK	Filter, H2S scrubber, for SO2 sensors, 2 each, SO-82	7.50
33-7114RK	Filter disk, H2S scrubber, strip of 5, for LEL sensor port, GP-01/GX-2001/GX-2009/GX-2012/Gas Tracer/ GX-6000	10.00
33-7114RK-100	Filter disk, H2S scrubber, 100 pack, for LEL sensor port	90.00
33-7116RK-01	Silicone removal filter for 1/2" NPT LEL sensor	64.00
33-7117RK-01	Filter set for 1 instrument, 1 charcoal disk & 1 H2S scrubber, GX-2009	14.00
33-7117RK-05	Filter set for 5 instruments, 5 charcoal disk & 5 H2S scrubbers, GX-2009	60.00
33-7120RK	Filter, H2S scrubber disk, for ESM-01DH-HCN sensors	5.00
33-7121RK	Filter, H2S scrubber disk for ESM-01DH-SO2 sensor	5.00
33-7122RK	Filter, charcoal disk, CF031, for GX-8000, pack of 10	44.00
33-7125	Filter set, 5 charcoal and H2S filters, 10 hydrophobic and metal screen filters for GX-6000	48.00
33-7126	H2S scrubber,disk,for ESS-03DH-HCN	2.00
33-7127	Silicone removal cartridge filter CF-8391	44.00
35-0102RK	Flow block,LEL/O2,mach,Eagle	40.00
35-0103RK-02	Flow through adapter with hose barb fittings,rim feed,for ES-23 type sensor	30.00
35-0104RK	Flow block,ES-23 Sensor,center feed,CL2	15.00
35-0104RK-01	Flow adaptor,ES-23 Sensor,center feed,CL2	25.00
35-0104RK-02	Flow through adapter with hose barb fittings,center feed,for ES-23 type sensor	30.00
35-0108RK	Chamber,Flow,LEL/O2/HS/CO,EAGLE	74.00
35-0108RK-02	Flow block, w/ftgs & plugs,LEL/O2/HS/CO,Eagle	96.00
35-0110RK	Dummy Sensor, H2S/CO, EAGLE	10.00
35-0111RK	Dummy Sensor, O2, EAGLE	12.00
35-0112RK	Dummy Sensor, LEL, EAGLE	12.00

Numerical Index

Part#	Description	Suggested Retail
35-0118RK	Plug,CT-7 sensor,sample system	18.00
35-0120RK	Sensor adapter,LEL aspirator adapter	70.00
35-0121RK	Sensor chamber,LEL aspirator adapter	60.00
35-0137RK	Sensor Adapter, 3/4 NPT sensor,aspirator adapter	60.00
35-0142RK	Plug, ESM-01 / IR / PID sensors, EAGLE 2	12.00
35-0200RK-00	Flow system assembly, 4 gas, new, EAGLE	380.00
35-0608RK	Pump/chamber unit, SP-205	220.00
35-1513RK	Cal/sample adaptor plate, GX-94	28.00
35-3001-01-01	35-3001 for IR Methane 100% LEL	1,600.00
35-3001-01-02	35-3001 for IR Hydrocarbon 100% LEL	1,600.00
35-3001-01-03	35-3001 for IR Methane 100% vol	1,650.00
35-3001-01H	35-3001 for Hydrogen specific 100% LEL	1,280.00
35-3001-02	35-3001 for Oxygen, 0-25% vol	1,200.00
35-3001-03	35-3001 for Hydrogen Sulfide 0-100 ppm	1,400.00
35-3001-04	35-3001 for Carbon Monoxide 0-300 ppm	1,400.00
35-3001-05-02	35-3001 for IR Carbon Dioxide 0-5,000 ppm	1,600.00
35-3001-05-03	35-3001 for IR Carbon Dioxide 0-5% vol	1,600.00
35-3001-05-05	35-3001 for IR Carbon Dioxide 0-50% vol	1,600.00
35-3001-05-10	35-3001 for IR Carbon Dioxide 0-100% vol	1,600.00
35-3001-06	35-3001 for combustibles 100% LEL / Oxygen 0-25% vol	1,400.00
35-3001-06-01	35-3001 for IR Methane 100% LEL / Oxygen 0-25% vol	1,900.00
35-3001-06-02	35-3001 for IR Hydrocarbon LEL / Oxygen 0-25% vol	1,900.00
35-3001-06-03	35-3001 for IR Methane % vol / Oxygen 0-25% vol	1,900.00
35-3001-06H-DIL	35-3001 for LEL (H2 specific) / Oxygen, with internal dilution for LEL	1,780.00
35-3001-07	35-3001 for combustibles 100% LEL / Hydrogen Sulfide 0-100 ppm	1,700.00
35-3001-07-01	35-3001 for IR Methane 100% LEL / Hydrogen Sulfide 0-100 ppm	2,200.00
35-3001-07-02	35-3001 for IR Hydrocarbon 100% LEL / Hydrogen Sulfide 0-100 ppm	2,200.00
35-3001-07-03	35-3001 for IR Methane % vol / Hydrogen Sulfide 0-100 ppm	2,200.00
35-3001-08	35-3001 for combustibles 100% LEL / Carbon Monoxide 0-300 ppm	1,700.00
35-3001-08-01	35-3001 for IR Methane 100% LEL / Carbon Monoxide 0-300 ppm	2,200.00
35-3001-08-02	35-3001 for IR Hydrocarbon 100% LEL / Carbon Monoxide 0-300 ppm	2,200.00
35-3001-08-03	35-3001 for IR Methane % vol / Carbon Monoxide 0-300 ppm	2,200.00
35-3001-09	35-3001 for Oxygen 0-25% vol / Hydrogen Sulfide 0-100 ppm	1,700.00
35-3001-10	35-3001 for Oxygen 0-25% vol / Carbon Monoxide 0-300 ppm	1,700.00
35-3001-11	35-3001 for combustibles 100% LEL / IR Carbon Dioxide 0-5%	1,900.00
35-3001-11-0102	35-3001 for IR Methane 100% LEL / IR Carbon Dioxide 0-5,000 ppm	2,400.00
35-3001-11-0103	35-3001 for IR Methane 100% LEL / IR Carbon Dioxide 0-5%	2,400.00
35-3001-11-0105	35-3001 for IR Methane 100% LEL / IR Carbon Dioxide 0-50%	2,400.00
35-3001-11-0110	35-3001 for IR Methane 100% LEL / IR Carbon Dioxide 0-100%	2,400.00
35-3001-11-0202	35-3001 for IR Hydrocarbon 100% LEL / IR Carbon Dioxide 0-5,000 ppm	2,400.00
35-3001-11-0203	35-3001 for IR Hydrocarbon 100% LEL / IR Carbon Dioxide 0-5%	2,400.00
35-3001-11-0205	35-3001 for IR Hydrocarbon 100% LEL / IR Carbon Dioxide 0-50%	2,400.00
35-3001-11-0210	35-3001 for IR Hydrocarbon 100% LEL / IR Carbon Dioxide 0-100%	2,400.00
35-3001-12	35-3001 for combustibles 100% LEL / IR Methane 100% LEL	1,900.00
35-3001A-01	35-3001 for combustibles 100% LEL sample draw detector with transmitter	1,500.00
35-3001A-01-01	35-3001 for IR Methane 100% LEL with transmitter	1,900.00
35-3001A-01-02	35-3001 for IR Hydrocarbon 100% LEL with transmitter	1,900.00
35-3001A-01-03	35-3001 for IR Methane 100% vol with transmitter	1,950.00
35-3001A-01H	35-3001 for Hydrogen specific 100% LEL with transmitter	1,580.00
35-3001A-02	35-3001 for Oxygen, 0-25% vol with transmitter	1,500.00
35-3001A-05-02	35-3001 for IR Carbon Dioxide 0-5,000 ppm with transmitter	1,900.00
35-3001A-05-03	35-3001 for IR Carbon Dioxide 0-5% vol with transmitter	1,900.00
35-3001A-05-05	35-3001 for IR Carbon Dioxide 0-50% vol with transmitter	1,900.00
35-3001A-05-10	35-3001 for IR Carbon Dioxide 0-100% vol with transmitter	1,900.00
35-3001A-07	35-3001 for combustibles 100% LEL / Hydrogen Sulfide 0-100 ppm with transmitter	2,000.00
35-3001A-07-01	35-3001 for IR Methane 100% LEL / Hydrogen Sulfide 0-100 ppm with transmitter	2,500.00
35-3001A-07-02	35-3001 for IR Hydrocarbon 100% LEL / Hydrogen Sulfide 0-100 ppm with transmitter	2,500.00
35-3001A-07-03	35-3001 for IR Methane % vol / Hydrogen Sulfide 0-100 ppm with transmitter	2,500.00
35-3001A-08	35-3001 for combustibles 100% LEL / Carbon Monoxide 0-300 ppm with transmitter	2,000.00
35-3001A-08-01	35-3001 for IR Methane 100% LEL / Carbon Monoxide 0-300 ppm with transmitter	2,500.00
35-3001A-08-02	35-3001 for IR Hydrocarbon 100% LEL / Carbon Monoxide 0-300 ppm with transmitter	2,500.00

Numerical Index

Part#	Description	Suggested Retail
35-3001A-08-03	35-3001 for IR Methane % vol / Carbon Monoxide 0-300 ppm with transmitter	2,500.00
35-3001A-09	35-3001 for Oxygen 0-25% vol / Hydrogen Sulfide 0-100 ppm with transmitter	2,000.00
35-3001A-10	35-3001 for Oxygen 0-25% vol / Carbon Monoxide 0-300 ppm with transmitter	2,000.00
35-3001A-11	35-3001 for 0-10% H2, with TE-7560 TC sensor, remote amp	1,600.00
35-3010A-09	Assy,4pt S.D detector,CH4(%volume IR)/O2 (CH4,O2 amps)	3,200.00
35-3010RK-01	LEL (internal amp)/ O2 (internal amp)/ H2S/ CO (4-20mA) sample draw assembly in NEMA 4X enclosure	2,400.00
35-3010RK-02	LEL (internal amp)/ O2 (internal amp)/ H2S (4-20mA) sample draw assembly in NEMA 4X enclosure ...	2,200.00
35-3010RK-03	LEL (internal amp)/ O2 (internal amp)/CO (4-20mA) sample draw assembly in NEMA 4X enclosure	2,200.00
35-3010RK-04	Assy,4pt S.D detector,LEL/CO(LEL direct)	2,100.00
35-3010RK-05	Assy,4pt S.D detector,O2/CO (O2 direct)	2,100.00
35-3010RK-06-02	Assy,4pt S.D detector,O2/CO/CO2(0-5,000 ppm) (O2/CO2 direct)	2,800.00
35-3010RK-07	Assy,4pt S.D detector,CH4(LEL IR)/O2/H2S (CH4,O2 direct)	2,800.00
35-3010RKA-01	LEL/O2/ H2S/ CO sample draw assembly in NEMA 4X enclosure with transmitters	2,900.00
35-3010RKA-02	LEL/O2/ H2S sample draw assembly in NEMA 4X enclosure with transmitters	2,700.00
35-3010RKA-04	Assy,4pt S.D detector,LEL/O2/(LEL/O2 amps)	2,600.00
35-3010RKA-06	Assy,4pt S.D detector,LEL/H2S(LEL amp)	2,315.00
35-3010RKA-07	Assy,4pt S.D detector,CH4(LEL IR)/O2/H2S (CH4,O2 amps)	3,300.00
35-3010RKA-08	Assy,4pt S.D detector,CH4(LEL IR)/O2 (CH4,O2 amps)	3,000.00
41-1471RK	Pot,500 ohm,GP-204 zero,type RA25Y 500ohmB 40R	21.00
41-1537RK	Pot,50K,25 turn,3/8 square,PCB mtg,side adjust,3292X	25.00
41-2102RK	Pot,1K,w/clutch hole,type RV24YN,XP-204 span	20.00
41-2102RK-01	Pot with knob,1K,type RV24YN,XP-204 span	28.00
43-0417RK-01	Switch,Keycap,4mm Sq,Omron B3F Switch	0.60
43-0440RK	Switch,push but,NO,SPST,wtrprf	24.00
43-0445RK-01	Switch,Push Butt,Momentary,NO,3A,125VAC, with Soldered Rods	10.00
43-0631RK	Switch, Rotary, NP-204	18.00
43-0850RK-01	Float only,for 43-0850RK float switch	50.00
43-0960RK	Switch boot,toggle,10-48 bushing	12.00
43-0989RK	Switch,toggle,SPST,AlcoSwitch	24.00
43-0990RK	Switch,toggle,SPDT,C&K	12.00
43-1150RK	Switch,DIP,SPST,slide,C&K BD01	3.00
43-3001RK	Emergency stop station w/mushroom button,twist to release,NO	400.00
43-4138RK	Fuse,1/4X 1 1/4,FAST,0.5A,250V	0.80
43-4139RK	Fuse,5 X 20 mm,0.5 amps,250 V,fast acting	1.00
43-4140RK	Fuse,1/4X 1 1/4,FAST,1A,250V	0.80
43-4142RK-10	Fuse,SMT,Fast,1.5A,125V	1.40
43-4155RK	Fuse,2A,5 x 20 mm,fast acting	3.00
43-4165RK	Fuse,1/4X 1 1/4,FAST,3A,250V	1.80
43-4167RK	Fuse,5 x 20 mm,FAST,5A,250V	1.00
43-4170RK	Fuse,1/4 x 1 1/4,fast,6A,250V	0.90
43-4177RK	Fuse,1/4X 1 1/4,SLO,8A,250V	4.40
43-4510RK	Holder,Fuse,VERT,W/CARRIER	20.00
43-7012RK	Barrier,IS,zener,2-wire,DIN rail mounting,for contact closure,MTL7787+	340.00
43-7013	IS Barrier, isolator, 2- or 3-wire 4-20 mA transmitter or HART, MTL5541	750.00
44-0026RK	Relay,SPDT,24V,10A,PC Board mounting	5.20
44-0042RK	Relay,4PDT,115VAC,Socket Type,3 Amps	41.00
45-2009RK	Socket,5pin,for RKK LEL Sensor	6.00
45-2311RK	Jack,panel mounting,for2.5x5.5mm plug	5.60
45-2311RK-01	Jack,chgr,w/cable & Connector,Eagle	12.00
45-2315RK	Jack,panel mounting,2.5mm,w/NC Switch	5.10
45-2430RK	Plug adapter for charger, US to Euro, non-grounded	3.60
45-4059RK	Terminal block,2 position,feed thru	3.00
45-4062RK	Terminal block,4 POS,FEED THRU	4.40
45-8001RK	Battery holder,GP-204/GX-3	7.00
46-3063RK	Clip,Stainless,for .75 dia,screw mounting	2.40
46-3070RK	Connector for combining 2 charger bases (required to join chargers), BC-2009	14.00
46-5100RK	Lever,wiring tool accessory for GD-70D terminal strip	0.75
46-9002	Button set,controls,blue with no text,RX-415,set of 5	5.40
46-9025RK	Knob with set screws (2), On/Off, Silver, GP-204	9.00
46-9026RK	Knob,zero/volt adjust,silver,GP-204/NP-204	3.50
46-9026RK-01	Clutch only,for zero adjust knob,GP-204	4.50

Numerical Index

Part#	Description	Suggested Retail
46-9026RK-02	Pin #19 for zero pot,GP-204	4.50
47-1013RK	Power cord, AC adapter line cord only	16.00
47-1015RK-01	Power cord, SJT, 115 VAC, 8 feet, with bushings, added to fixed systems	38.00
47-1016RK	12 VDC vehicle charging adapter, Eagle 2 (charger unit not included)	20.00
47-1017	Printer power cord for SDM-6000 printer	10.00
47-1203RK	Cable,2 conductor,twisted pair,16 AWG,shielded	1.00
47-1205RK	Cable,4 conductor,18 AWG,shielded w/20 AWG drain	3.00
47-1209RK	Cable,4 conductor,22 AWG,for PS-2 sensor	1.40
47-1213RK	Cable,2 conductor w/shield/drain,16 AWG,direct burial type	1.40
47-1214RK	Cable,4 conductor w/shield/drain,18 AWG,direct burial type	1.50
47-1500RK	Connector with cable, RM-5000	44.00
47-1501RK	Connector with cable 500 mm, RM-5000	60.00
47-1502RK	Connector with cable 1 meter, RM-5000	70.00
47-1503RK	Junction cable for Single case, RM-5000	10.00
47-1504RK	Reset cable for RM-590-R, RM-5000	60.00
47-1556-03	Extender cable with remote box, 3 meter, OX-600	140.00
47-1556-05	Extender cable with remote box, 5 meter, OX-600	160.00
47-1556-10	Extender cable with remote box, 10 meter, OX-600	200.00
47-1556-20	Extender cable with remote box, 20 meter, OX-600	300.00
47-1557RK-05	Extender cable, 5 meters for OX-07	295.00
47-1557RK-10	Extender cable, 10 meters for OX-07	360.00
47-1557RK-20	Extender cable, 20 meters for OX-07	520.00
47-1557RK-30	Extender cable, 30 meters for OX-07	660.00
47-1561RK	Extender cable, 3 meters, for SC-01	280.00
47-1641RK	Sensor extender cable, 5 meters, GX-82/-82A	205.00
47-1735RK	Cable extension, 10 meters, with connector, OX-62B	98.00
47-1745RK	Sensor holder with 5 meter cable (GD-F5A), for OX-62B	150.00
47-4001	Cable with connectors, main PCB to sensor PCB, for GX-6000	14.00
47-5000RK	Communication Cable,RC2,GX-94	140.00
47-5006RK	Cable,extension,through,DB9 female/DB9 female,6 ft	16.00
47-5010RK	Cable with connector for LEL, EAGLE/EAGLE 2	21.00
47-5011RK	Cable,W/Connector,CO DET,Eagle	5.60
47-5012RK	Cable,W/Connector,H2S DET,Eagle	5.60
47-5016RK	Cable w/Connector,Eagle display	9.50
47-5026RK	Downloading cable, serial / IrDA adapter (Not needed if computer has built-in IR port)	120.00
47-5048RK	Display cable, M2/M2A transmitter	10.00
47-5049RK	Cable,communication,GD-K77D	190.00
47-5051RK	Cable w/connectors,type 272-FRW-12P-PHR,for ESM-01 sensor	22.00
47-5057RK	Cable, LCD to Main PCB, Eagle 2	14.50
47-5059RK	Cable, Power, Eagle 2	26.00
47-5060RK	Downloading cable, RC-3, for RX-515 / RX-516 / RX-517	135.00
47-5063RK	Cable,Coiled,w/connectors,Charger Cable for SDM-E2 Cal Station	32.00
47-5065RK	Cable,display,for FP-300 series	35.00
47-5066RK	Cable,communication,GD-70D	190.00
47-5068RK	Cable, DC power, 50 ft. with 2 conductor 16 AWG Battery Clamps,for Rig Monitor	65.00
47-5068RK-25	Cable, DC power, 25 ft. with 2 conductor 16 AWG Battery Clamps,for Rig Monitor	50.00
47-5073RK	USB cable, Type A to Type B, 6 feet	4.50
47-5084RK-01	Downloading cable, USB / IrDA adapter, Windows XP, Windows 7, & Windows 8 compatible (Not needed if computer has built-in IR port)	220.00
47-5085RK	USB cable with USB mini B, 6 feet	8.00
47-5088	Ethernet network cable, Cat 6, 5 ft, black	9.00
48-0100RK	Ferrite Core,plastic clamp-on,4.5 mm cable dia max,100 MHz	3.25
48-0800RK	Line filter,2.1mH,1.5A	5.50
48-0810RK	Line filter,Ferrite core,Zcat series	6.00
48-2000RK	Noise filter, LF210SEW-UL	200.00
48-3000RK	Pump coil complete w/O-ring & cable,110 VAC,GD-D8	175.00
49-0108RK	Power supply,switching,24 VDC,1.1A	120.00
49-0111RK	Power supply,switching,24V,1.1A,25W	80.00
49-0113RK	Power supply,115V/230V input,24v,6.25A output	157.00
49-0114RK	Power supply,switching,28 V, 5.5A	240.00
49-0115RK	115 / 220 VAC Adapter for charger, GX-6000/GX-2009/GX-2012/Gas Tracer/EAGLE 2/GX-8000	20.00

Numerical Index

Part#	Description	Suggested Retail
49-0123RK	Power supply,switching,universal AC input,27 V, 5.6A	190.00
49-0125	Power supply,ST72,100-240 VAC universal input,600W,24 VDC out,for RC Systems controllers.....	1,250.00
49-0126	AC adapter, single cal station, switching,100-240 VAC, 5.5 x 2.1 mm jack, powers one SDM-6000	65.00
49-0127	AC adapter, multi-cal station, switching,100-240 VAC with 5.5 x 2.1 mm jack, powers 2 to 10 SDM-6000 units	320.00
49-0128	Multi-station AC adapter with cord, powers 2 to 10 SDM-6000 units	136.00
49-0128-01	Multi-station AC adapter without cord, powers 2 to 10 SDM-6000 units	120.00
49-0129	Printer AC adapter only, for SDM-6000 printer	150.00
49-0203RK	Inverter, 12 VDC to 115 VAC, for battery charger	30.00
49-1050RK	Battery, memory backup, silver oxide, SR 616, 1.55 volts, GX-2009 and GX-6000	10.00
49-1109RK	Battery, alkaline, 9V, (for XP-204 and XP-204A only)	4.00
49-1110RK	Battery, alkaline, AAA	1.20
49-1120RK	Size AA alkaline battery	1.20
49-1130RK	Battery, C size, alkaline battery	2.00
49-1140RK	Size D alkaline battery	2.20
49-1240RK	Battery, Ni-Cad, D size	15.00
49-1312	Battery, Ni-MH, AAA, Eneloop by Panasonic	12.60
49-1320RK	Battery, NiMH, AA	4.00
49-1330RK	Battery, NiMH, C size (4 required)	10.00
49-1402RK	Data logging back up battery, 3.0V lithium, CR2032 coin type	6.00
49-1403RK	Battery, lithium, 3V, mem ret, GX-86A / EAGLE	4.50
49-1404RK	Lithium battery, 3.0 volt, coin type, CR 2450.....	3.00
49-1405RK	Lithium battery, 1.55 volt, SR41W, GX-2003/EAGLE 2 (PCB memory backup battery)	7.50
49-1405RK-01	Battery contact, positive, for GX-2003/EAGLE 2, lithium battery, SUS304+NI3	1.50
49-1406RK	Battery, lithium, CR 1220, for main PCB GX-2012/Gas Tracer/NC-1000	4.40
49-1410RK	Lithium battery pack, 3.6V, replacement for GD-K7D2 & GD-K77D	20.00
49-1415RK	Battery,Lithium,3.6 V,19 Ah,D size	70.00
49-1551RK	Battery,lead acid,12v,1.2 AH	32.00
49-1552RK	Battery,lead acid,12v,12 AH	72.00
49-1600RK	Battery pack for OX-1C	95.00
49-1603RK	Battery pack, Ni-Cad (GP-01 version only, Ni-Cad version only)	44.00
49-1605RK	NI-MH battery pack for GX-2001 (Battery charger sold separately)	150.00
49-1606RK	Battery Pack,Ni-MH,GX-2003	76.00
49-1609RK	NiMH battery set with hardware for GX-2009, set of 2 batteries	80.00
49-1613RK	Battery pack, lithium ion, GX-8000	780.00
49-1614RK	Battery pack, alkaline, GX-8000	440.00
49-1615RK	Battery pack, lithium ion, GX-2012 / Gas Tracer	175.00
49-1615RK-CSA	Battery pack,lithium ion,BUL-2012,for GX-2012/Gas Tracer,CSA version	175.00
49-1616RK	Alkaline Battery pack without batteries with gasket, GX-2012 / Gas Tracer	100.00
49-1616RK-01	Alkaline Battery pack cover with gasket, GX-2012 / Gas Tracer	30.00
49-1616RK-02	Alkaline Battery pack without cover with gasket, GX-2012 / Gas Tracer	88.00
49-1617	Battery pack, lithium ion, BUL-8000 (R) for RX-8000	780.00
49-1618	Battery pack, alkaline, BUD-8000 (R) for RX-8000	440.00
49-1619	Battery pack, Li-Ion, BUL-6000 for GX-6000	250.00
49-1620	Battery pack, alkaline, BUD-6000 for GX-6000	125.00
49-1621	Printer battery pack for SDM-6000 printer	190.00
49-2011RK	Ni-Cad battery charger, 115 VAC (included with Ni-Cad version instruments only), P-200 series	50.00
49-2020RK	12 VDC Adapter for charger with vehicle plug (charger base not included), GX-2009/GX-2012/Gas Tracer	24.00
49-2046RK	Continuous operation adaptor, 115 VAC, RI-411/RI-413	80.00
49-2058RK-03	AC adapter,3 port, for SDM-2012 and SDM-E2	80.00
49-2058RK-04	AC adapter 4 port charger for SDM-2009, SDM-2012, and SDM-03.....	88.00
49-2146RK	Charger, RI-411 / RI-413, 115VAC (new style, one rounded end on plug & socket)	125.00
49-2149RK	Charger, 220 VAC, EAGLE	115.00
49-2149RK-01	Nicads & 220 VAC charger, add to Eagle	155.00
49-2150RK	Ni-Cad battery Charger, -Delta V type, 115VAC, with alkaline recognition, EAGLE	115.00
49-2150RK-01	Charger (115VAC) and Ni-Cads, added to EAGLE	155.00
49-2151RK	Battery charger, 12 VDC, with cigarette lighter plug, EAGLE	115.00
49-2152RK	Continuous operation adaptor/charger, 115VAC, with 20' cable, EAGLE.....	150.00
49-2156RK-01	Data logging / Charger station (IR) with cable and software for data logging, GX-2001	340.00
49-2159RK	Charger for GP-01, for Ni-Cad battery pack, 115 / 220 VAC (Ni-Cad version only)	65.00
49-2161RK	Charging station, 12 VDC, GX-2003	90.00

Numerical Index

Part#	Description	Suggested Retail
49-2161RK-01	Charging station,BC-2003F,115/220 VAC,with 12 VDC/115 VAC inverter,for GX-2003	100.00
49-2164RK	Charger for GP-01, 12 VDC	85.00
49-2165RK	Charger for GP-01, 12 VDC & 115 VAC (Dual Input)	105.00
49-2167RK	Charging station, 115 / 220 VAC, GX-2003 (new style)	96.00
49-2170RK	Charging station base only, BC-2009.....	75.00
49-2170RK-01	Charging station with 115 / 220 VAC power supply for single instrument, GX-2009	85.00
49-2170RK-02	Charging station with 115 / 220 VAC power supply for two instruments, GX-2009	160.00
49-2170RK-03	Charging station with 115 / 220 VAC power supply for three instruments, GX-2009	235.00
49-2170RK-04	Charging station with 115 / 220 VAC power supply for four instruments, GX-2009	310.00
49-2170RK-05	Charging station with 115 / 220 VAC power supply for five instruments, GX-2009	385.00
49-2170RK-ADD	Upgrade kit to add one GX-2009 charger to a bank	75.00
49-2171RK	Charging station with 12 VDC adapter and vehicle adaptor plug for GX-2009 (single unit)	90.00
49-2174RK	Battery charging module, 100 - 240 VAC & 12 VDC input, EAGLE 2, (power adapter not included)	90.00
49-2175RK	Battery Charger, 100-240 VAC, EAGLE 2 (batteries not included).....	110.00
49-2175RK-01	Battery Charger, 100-240 VAC, with 4 C size NiMH batteries, added to EAGLE 2, factory installed	140.00
49-2175RK-02	Battery Charger, 100-240 VAC, with 4 C size NiMH batteries, added to EAGLE 2, field installed.....	146.00
49-2176RK	Battery charger, 12 VDC, with cigarette lighter plug, EAGLE 2 (batteries not included)	110.00
49-2176RK-01	Battery charger, 12 VDC, with cigarette lighter plug and 4 C size NiMH batteries, EAGLE 2, factory installed.....	140.00
49-2176RK-02	Battery charger, 12 VDC, with cigarette lighter plug and 4 C size NiMH batteries, EAGLE 2, field installed	146.00
49-2177RK	Battery charger, 100-240 VAC adapter and 12 VDC with vehicle plug adapter, EAGLE 2	130.00
49-2177RK-01	Battery charger, 100-240 VAC adapter, 12 VDC with vehicle plug adapter, and 4 C size NiMH batteries, EAGLE 2, factory installed	154.00
49-2177RK-02	Battery charger, 100-240 VAC adapter, 12 VDC with vehicle plug adapter, and 4 C size NiMH batteries, EAGLE 2, field installed	160.00
49-2180RK	Charging station only, for Li-Ion battery pack, no AC adapter for GX-2012/Gas Tracer	70.00
49-2180RK-01	Charging station with AC adapter, for Li-Ion battery pack, 110/115/220 VAC, for GX-2012/Gas Tracer	85.00
49-2180RK-DC	Charging station only, with velcro strap, for DC Li-Ion battery pack, no DC adapter, for GX-2012/Gas Tracer	75.00
49-2181RK	Charging station with 12 VDC vehicle plug adapter for Li-Ion battery pack, for GX-2012/Gas Tracer	90.00
49-2182	Battery charger module only, BC-6000, for GX-6000 Li-Ion battery pack	150.00
49-2182-01	Battery charger with 100 - 240 VAC adapter, BC-6000 for GX-6000 Li-Ion battery pack	160.00
49-2183	Battery charger, 12 VDC with vehicle plug, BC-6000 for GX-6000 Li-Ion battery pack	175.00
49-3102RK	Ni-Cad battery charger (Bench charger for up to 4 batteries), 12 VDC	125.00
49-3105RK	Charger, NiMH, charges four AA or AAA size with A/C adapter and DC vehicle plug	36.00
49-3106RK	Charger, NiMH, charges twelve AAA size with A/C adapter and DC vehicle plug	72.00
49-3108	Charger, NiMH, charges four AAA/AA/C/D size with A/C adapter and DC vehicle plug	50.00
49-4000RK	AC Power supply assembly for M2/M2A, input 100 VAC to 240 VAC, output 24 VDC, mounted in 18-0400RK	195.00
49-4000RK-SS	AC Power supply assembly for M2/M2A stainless steel housing, input 100 VAC to 240 VAC, output 24 VDC, mounted in 18-0400RK	295.00
49-8101RK	Standby battery assembly, 12 VDC, 12 AMP hours, for Pioneer	600.00
49-8103RK	Standby battery assembly, 24 VDC, 1.2 AMP hours, for Beacon 110 and Beacon 200	250.00
49-8104RK	Standby battery assembly, 24 VDC, 12 AMP hours, for Beacon 110, Beacon 200, Beacon 410A, & Beacon 800	450.00
50-1270RK	Meter w/dial,OX-1,0-25%	135.00
50-1275RK	Meter,GP-204,RKI scale (0-1mA).....	120.00
50-1278RK	Meter, XP-204	120.00
50-1280RK	Meter,NP-204,0-5%/100%,CH4,no logo.....	120.00
50-5018RK	Meter dial, 0-5%/0-25% O2, XP-204A	45.00
50-5019RK	Meter dial,0-25% oxygen,XP-204	38.00
5000-02R	2-Channel panel mounting housing, RM-5000 Series	920.00
5000-02W	2-Channel wall mounting housing, RM-5000 Series.....	920.00
5000-04R	4-Channel panel mounting housing, RM-5000 Series	1,150.00
5000-04W	4-Channel wall mounting housing, RM-5000 Series.....	1,150.00
5000-06R	6-Channel panel mounting housing, RM-5000 Series	1,380.00
5000-06W	6-Channel wall mounting housing, RM-5000 Series.....	1,380.00
5000-08R	8-Channel panel mounting housing, RM-5000 Series	1,610.00
5000-08W	8-Channel wall mounting housing, RM-5000 Series.....	1,610.00
5000-10R	10-Channel panel mounting housing, RM-5000 Series	1,840.00
5000-10W	10-Channel wall mounting housing, RM-5000 Series	1,840.00
5000-12R	12-Channel panel mounting housing, RM-5000 Series	2,070.00
5000-12W	12-Channel wall mounting housing, RM-5000 Series	2,070.00

Numerical Index

Part#	Description	Suggested Retail
5000-CC	Module adapter, RM-5000 module to RM-570/580 case	75.00
5000-SR	Single Channel Case, panel mounting, RM-5000 Series	220.00
5000-TM	Single Channel Case, module plug-in plate mounting, RM-5000 Series	115.00
51-0030RK-01	Strobe light, red, 115 VAC, Edwards 105FINHR-N5, for hazardous locations, Class I Div 2, with pipe mounting base	440.00
51-0031RK-01	Strobe light, red, 12 - 48 VDC, Edwards 105HISTR-EK, for Class I Div 2, with pipe mounting base	665.00
51-0035RK-01	Strobe light, amber, 115 VAC, Edwards 105FINHA-N5, for Class I Div 2, with pipe mounting base	465.00
51-0036RK	Pipe mount attachment for Edwards 105 Series AdaptaBeacon, 105PM	60.00
51-0037	Outlet box attachment for Edwards 105 Series AdaptaBeacon, 105BX	62.00
51-0038	Wall mounting bracket for 105 Series lights, Edwards 105BM (must be used with 51-0037)	90.00
51-0053RK	Rotating alarm light, green, 115 VAC, Federal Signal 225-120V-G	295.00
51-0054RK	Rotating alarm light, amber, 115 VAC, Federal Signal 225-120V-A	360.00
51-0055RK	Rotating alarm light, red, 115 VAC, Federal Signal 225-120V-R	360.00
51-0056RK	Rotating alarm light, blue, 115 VAC, Federal Signal 225-120-B	295.00
51-0057RK-01	Halogen lamp, 25W, for 51-0057RK, Edwards 50LMP-25WH	45.00
51-0064RK	Strobe light, amber, 115 VAC, NEMA 4X for Beacon controllers only	100.00
51-0065RK	Strobe light, red, 115 VAC, NEMA 4X for Beacon controllers only	95.00
51-0065RK-01	Lens assembly, red, for 51-0065RK/51-0066RK	23.00
51-0069RK	Strobe light, blue, 115 VAC, NEMA 4X for Beacon controllers only	95.00
51-0075	LED multi-status indicator, red/green/amber, 24 VDC, NEMA 4X, Edwards 105XBRIEGA24D	750.00
51-0090RK	Flashing alarm light with horn, red, 115 VAC, 40 watt lamp, Edwards 51R-N5-40W	450.00
51-0091RK	Flashing alarm light with horn, blue, 115 VAC, 40 watt lamp, Edwards 51B-N5-40W	450.00
51-0090RK-24	Flashing alarm light with horn, red, 24 VDC, 40 watt lamp, Edwards 51R-G1	450.00
51-0092RK	Flashing alarm light with horn, amber, 115 VAC, 40 watt lamp, Edwards 51A-N5-40W	450.00
51-0092RK-24	Flashing alarm light with horn, amber, 24 VDC, 24 watt lamp, Edwards 51A-G1	450.00
51-0094RK-01	Lens cover, field installable, blue, for System Sensor SpectraAlert family	18.50
51-0094RK-02	Lens cover, field installable, red, for System Sensor SpectraAlert family	18.50
51-0094RK-04	Lens cover, field installable, amber, for System Sensor SpectraAlert family	18.50
51-0096-10	Adder, strobe/horn, for Digester Gas Monitor, factory supplied with Digester	200.00
51-0096RK-AMB	Strobe with horn, red housing, 8 to 33 VDC, NEMA 4X, SpectraAlert, with amber lens cover	150.00
51-0096RK-BLU	Strobe with horn, red housing, 8 to 33 VDC, NEMA 4X, SpectraAlert, with blue lens cover	150.00
51-0096RK-RED	Strobe with horn, red housing, 8 to 33 VDC, NEMA 4X, SpectraAlert, with red lens cover	150.00
51-0097RK-01	Strobe with horn, white upper housing, high brightness, 8 to 33 VDC, SpectraAlert, clear lens	150.00
51-0097RK-AMB	Strobe with horn, white housing, 96-132VAC, NEMA 3R, SpectraAlert, with amber lens cover	240.00
51-0097RK-BLU	Strobe with horn, white housing, 96-132VAC, NEMA 3R, SpectraAlert, with blue lens cover	240.00
51-0097RK-RED	Strobe with horn, white housing, 96-132VAC, NEMA 3R, SpectraAlert, with red lens cover	240.00
51-0098-01-AMB	Strobe, red housing, with amber lens cover, 96 to 132 VAC, NEMA 3R, SpectraAlert	220.00
51-0098-01-RED	Strobe, red housing, with red lens cover, 96 to 132 VAC, NEMA 3R, SpectraAlert	220.00
51-0098-AMB	Strobe, red housing, with amber lens cover, 8 to 33 VDC, NEMA 4X, SpectraAlert	140.00
51-0098-RED	Strobe, red housing, with red lens cover, 8 to 33 VDC, NEMA 4X, SpectraAlert	140.00
51-0098RK	Strobe, red housing, no markings, 8 to 33 VDC, NEMA 4X	115.00
51-0099RK	Strobe/horn, white housing, no markings, 8 to 33 VDC, NEMA 4X, SpectraAlert	150.00
51-0100	Strobe, white housing, with clear lens, 8 to 33 VDC, high candela, NEMA 4X, SpectraAlert	135.00
51-0100-01	Strobe, white housing, with clear lens, 96-132 VAC, high candela, NEMA 3R, SpectraAlert	200.00
51-0100-AMB	Strobe, white housing, with amber lens cover, 8 to 33 VDC, NEMA 4X, SpectraAlert	150.00
51-0101RK	Lamp, Meter illumination, GP-204	1.60
51-0102-AMB	Horn with strobe, standard brightness, white housing, NEMA 4X, 4-wire, 16 to 33 VDC, amber lens, SpectraAlert	205.00
51-0102-RED	Horn with strobe, standard brightness, white housing, NEMA 4X, 4-wire, 16 to 33 VDC, red lens, SpectraAlert	205.00
51-0103RK	Lamp, charge indicator, OX-1	6.00
51-0122RK	Strobe, XP for Class I Div I Grps C & D, NEMA 4X, 120 VAC, clear lens, Federal 27XST-120C	2,800.00
51-0131-AMB	Horn with strobe, outdoor, panel mounting, 120 VAC, 4 wire, amber lens, Edwards 868STRA-N5	550.00
51-0131-AMB-24	Horn with strobe, outdoor, panel mounting, 24 VDC, 24 watt lamp, 4 wire, amber lens, Edwards 868STRA-N5	550.00
51-0131-BLU	Horn with strobe, outdoor, panel mounting, 120 VAC, 4 wire, blue lens, Edwards 868STRB-N5	550.00
51-0131-BLU-24	Horn with strobe, outdoor, panel mounting, 24 VDC, 24 watt lamp, 4 wire, blue lens, Edwards 868STRA-N5	550.00
51-0131-RED	Horn with strobe, outdoor, panel mounting, 120 VAC, 4 wire, red lens, Edwards 868STRR-N5	550.00
51-0131-RED-24	Horn with strobe, outdoor, panel mounting, 24 VDC, 24 watt lamp, 4 wire, red lens, Edwards 868STRA-N5	550.00

Numerical Index

Part#	Description	Suggested Retail
51-0141RK	Strobe/horn,indoor,flush mtg.,120 VAC,blue lens,Edwards 869STRB-N5.....	395.00
51-0165	Stackable LED light w/audible alarm,red/amber,115 VAC,w/12 inches mounting pole	600.00
51-0166	Stack light/horn,115 VAC,red/amber/green,steady,Signaworks S370B-110-RAG-RI1	733.00
51-1100RK	Display module,LCD,4x20,Optrex	55.00
51-1100RK-01	Display,LCD,4x20,W/cable,EAGLE	70.00
51-1100RK-02	Display module,LCD,4x20,Optrex,w/header,for fixed system replacement.....	70.00
51-1113RK	LCD display assembly for GX-2001	55.00
51-1114RK	Display,Beacon 100	26.25
51-1115RK	LCD display,GasWatch 2	24.00
51-1116RK	LCD display module, GX-2003	18.00
51-1119RK	LCD module assembly with flat cable for GX-2009	30.00
51-1120RK	LCD module,RX-415/RI-415	190.00
51-1125RK	LCD display, GX-2012 / Gas Tracer	60.00
51-1130	LCD Module for 03 series	18.00
51-1134	LCD module for FP-31	54.00
51-1137	LCD module,RX-8000	115.00
51-1138	LCD module,GX-8000	115.00
51-1139	LCD module, BTD-128160B-FBWB-G-G, for GX-6000	60.00
51-1146	Display PCB for RX-517	130.00
51-1500RK	PID replacement lamp, 0 - 50 ppm, for Ion Science PID	275.00
51-1501RK	PID replacement lamp, 0 - 2,000 ppm for EAGLE 2	250.00
51-1502	Replacement lamp, 0-2000 (EAGLE 2) or 0-6000 ppm (GX-6000) PID	250.00
51-1502-01	Replacement lamp and stack set, 0-6000 ppm for Ion Science HPPM PID	290.00
52-0003RK	Horn, 115 VAC, vibratory, NEMA 4X, Edward's 876-N5	250.00
52-0003RK-240	Horn,vibrating,240 VAC .06 A,NEMA 4X,Edwards 876-R5	285.00
52-0004RK	Horn, 24 VDC, vibratory, Federal 450-24 VDC	280.00
52-0005RK	Horn, 115 VAC, Federal Signal 350-WBX, for hazardous locations, Class I Div 2	655.00
52-0006RK	Vibrating horn,explosion proof for Div. I GRPs E,F,G,120 VAC,Federal Signal 31X-120-3	1,500.00
52-0206RK	Lapel buzzer for high noise areas	135.00
52-1002RK	Buzzer,1.5VDC,STAR MMB-01	9.00
52-1003RK-01	Buzzer,PIEZO,MURATA PKB5-3B0, w/JST connector	20.00
52-1004RK	Buzzer,PCB mount,5 V,Star QMB111PC (GX-94)	2.60
52-1006RK	Buzzer,piezo,FDK EB4015A-30C150-9V,3-12 V	16.25
52-1009RK	Buzzer/vibrator w/wires,GX-2001, new style.....	15.00
52-1016RK	Buzzer,piezo,panel mounting,1.25 dia,AI3736PC28R,for Beacon 110/200/410/800	26.00
52-1017RK-01	Internal buzzer, extra loud (90 db at 2 feet), added to EAGLE top case	85.00
52-1017RK-03	Buzzer,Loud,added to existing Eagle.....	85.00
52-1017RK-04	Buzzer,Loud,added to non UL/CSA type std Eagle top.....	85.00
52-1019RK	Buzzer,Panel/Flange Mount,Eagle 2	6.00
52-1019RK-01	Buzzer,replacement w/cable and connector,Panel/Flange Mount,Eagle 2	11.00
52-2025RK	Buzzer, remote, GX-4000A, with 20' cable	95.00
52-2034RK	Remote audible alarm with 20' cable, EAGLE	95.00
52-2036RK	Remote buzzer w/20 ft cable,Eagle 2	100.00
52-2036RK-A	Remote buzzer w/20 ft cable,added to Eagle 2	160.00
54-2903RK	Converter, DC-DC,isolated,24V to 5V,1 watt,single output,DCP012405BP	25.00
54-7114RK-01	Eprom, Eagle, standard 4 gas,for Sony EEPROM	20.00
54-7114RK-02	Eprom, Eagle, 5/6 gas,for Sony EEPROM	20.00
54-7114RK-05	Eprom,Eagle,4-gas,IR CH4 %vol,std CO2 ranges,Sony	20.00
54-7114RK-06	Eprom,Eagle,4-gas,IR CH4 %LEL,for Sony EEPROM	20.00
54-7114RK-07	Eprom,Eagle,1 gas NH3 LEL/ppm,for Sony EEPROM.....	20.00
54-7114RK-08	Eprom, Eagle, CH4 IR %LEL/%volume autoranging,Sony	20.00
54-7114RK-09	Eprom, Eagle,5&6 gas,no zero suppr on toxics,Sony	20.00
54-7114RK-101	Eprom,Eagle,standard 4-gas,for Microchip EEPROM	20.00
54-7114RK-102	Eprom,Eagle,standard 5/6 gas,for Microchip EEPROM	20.00
54-7114RK-105	Eprom,Eag,4-gas,IR CH4 %vol,w/std CO2 ranges,Micro	20.00
54-7114RK-106	Eprom,Eagle,4-gas,IR CH4 %LEL,for Microchip EEPROM	20.00
54-7114RK-107	Eprom,1-gas,NH3 %LEL/ppm(%vol),Microchip EEPROM	20.00
54-7114RK-108	Eprom,4-gas,IR CH4 %LEL/%vol autoranging,Microchip	20.00
54-7114RK-109	Eprom,5/6 gas,w/o zero suppr on super toxics,Micro	20.00
54-7114RK-11	Eprom,Eagle,0-20%/50% CO2,with catalytic LEL,Micro	20.00
54-7114RK-111	Eprom,4-gas,high range CO2,for Microchip EEPROM	20.00

Numerical Index

Part#	Description	Suggested Retail
54-7114RK-112	Eprom,4-gas,2 IR w/CH4 IR autoranging & CO2,Micro	20.00
54-7114RK-113	Eprom,Eag,4-gas,CH4 IR %vol,low temp display,Micro	20.00
54-7114RK-114	Eprom,Eag,4-gas,IRCH4 %vol,w/%CO2 ranges,Microchip	20.00
54-7114RK-115	Eprom,Eag,4-gas,IR HC %LEL/%vol auto,std H2S range,Microchip	20.00
54-7114RK-116	Eprom,Eag,4gas,IR HC %LEL/%vol auto,1000 ppm H2S range,Microchip	20.00
54-7114RK-117	Eprom,Eag,4-gas,IR HC %LEL/%vol auto,w/2 tox chan,Microchip	20.00
54-7114RK-118	Eprom,Eag,4-gas,IR ACE (acetone) %LEL for Eastman Chemical,Microchip.....	20.00
54-7114RK-12	Eprom,Eag,2 IR,IRCH4 LEL/vol w/CO2(20%/50%),Sony	20.00
54-7114RK-13	Eprom,Eag,4-gas,CH4 IR %vol,low temp display,Sony	20.00
54-7114RK-14	Eprom,Eagle,4-gas,IR CH4 %vol,w/%CO2 ranges,Sony.....	20.00
56-0200RK	Pyrolyzer,for GD-K77DG/GD-S77DG,PL-02	320.00
57-0010RK	PCB assembly, main CPU, EAGLE	368.00
57-0011RK	PCB assembly, analog, EAGLE	420.00
57-0012RK	Data logging board for field installation (also need 82-5007RK), EAGLE (check availability)	140.00
57-0012RK-01	Data logging board, factory installed (also need 82-5007RK), EAGLE (check availability)	140.00
57-0014RK-02	Toxic amp,Eagle,AsH3/NO/PH3/SiH4/SO2,type 02	220.00
57-0014RK-03	Toxic amp,Eagle,Cl2/HF/HCl,type 03	220.00
57-0014RK-04	Toxic amp,Eagle,F2/O3/I2,type 04	220.00
57-0014RK-05	Toxic amp,Eagle,NO2,type 05	220.00
57-0014RK-06	Toxic amp,Eagle,SO2,type 06,for ES-88D sensor	220.00
57-0014RK-07	Toxic amp,Eagle,Cl2 (ES-89D),type 07	220.00
57-0014RK-08	Toxic amp,Eagle,NH3 (ES-23R),type 08	220.00
57-0014RK-08HS	Toxic amp,Eagle,H2S 0 - 30 ppm (ES-87A),type 08	220.00
57-0014RK-09	Toxic amp,Eagle,B2H6,type 09	220.00
57-0014RK-12	Toxic amp,Eagle,for SO2(ES-238)/GeH4,type 12	220.00
57-0014RK-18	Toxic amp,Eagle,Si2H6 (ES-23DH),type 18.....	220.00
57-0014RK-20	Toxic amp,Eagle,HBr/HI,type 20.....	220.00
57-0014RK-21	Toxic amp,Eagle,for ES-23DH,type 21	220.00
57-0014RK-22	Toxic amp,Eagle,CO,type 22	220.00
57-0014RK-24	Toxic amp,Eagle,for ES-K239B-CL2 sensor,tupe 24	220.00
57-0019RK	PCB assembly, battery, jumper side, EAGLE	24.00
57-0020RK	PCB assembly, I. S. barrier / battery power, standard EAGLE (No IR sensors)	65.00
57-0020RK-01	PC Board assembly,ISB/bat,Eagle w/IR	80.00
57-0020RK-03	PC Board assembly,ISB/bat,Eagle w/2 IR's	85.00
57-0022RK	PC Board assembly,Sampling system,1 pt.....	140.00
57-0028RK	PC Board assembly,display, Beacon 800	260.00
57-0029RK	PC Board assembly,main, Beacon 800	1,000.00
57-0036RK	PCB assy,Beacon 800 power relay board	200.00
57-0037RK	PCB assy,Beacon 800, 4-20 mA/1-5VDC Output Board.....	300.00
57-0040RK-02	PC Board assembly,sampling system,4 pt,w/pump shutoff circuit.	340.00
57-0041RK	PC Board assembly,CO&H2S PREAMP,CT-7 type	90.00
57-0050RK	Main PCB assy,Beacon 200	800.00
57-0070RK-01	Display PCB assembly,CSA dimensions,Beacon 200,programmed	340.00
57-0075RK	PCB assembly, display, M2 smart transmitter/Beacon 110	90.00
57-0078RK	PCB assembly,main,4-wire low current LEL,w/o charging,Beacon 110	420.00
57-0078RK-01	PCB assembly,main,4-wire low current LEL,with charging,Beacon 110	440.00
57-0086RK-01	PCB assembly,12 to 24V DC-DC converter,Beacon 110 rig monitor.	90.00
57-0086RK-03	PCB assembly,12 to 24V DC-DC converter,M2 smart transmitter,w/wires for field replacement	120.00
57-0088RK	Main PCB assembly,Beacon 410,w/o battery charging,4-wire LEL low current	1,200.00
57-0088RK-01	Main PCB assembly,Beacon 410, with battery charging,4 wire LEL low current	1,245.00
57-0089RK	Display PCB assembly, Beacon 410, with LCD display	180.00
57-0100RK	PCB Assy,Pogo Pin/IS Barrier,Eagle 2	80.00
57-0102RK	PC board assembly, main, EAGLE 2	600.00
57-0102RK-01	PC board assembly, main replacement, EAGLE 2	600.00
57-0103RK-01	PC board assembly, LCD replacement, EAGLE 2	250.00
57-0109RK	PC board assembly, sub PCB, ESM-01, EAGLE 2	140.00
57-0110RK	PC board assembly, sub PCB, IR, EAGLE 2	140.00
57-0111RK	PC board assembly, sub PCB, TC, EAGLE 2.....	140.00
57-0112RK	PC board assembly, sub PCB, PID, EAGLE 2	140.00
57-0112RK-01	PC board assembly, sub PCB, PID, reprogrammed and defaulted, EAGLE 2	140.00
57-0150RK	PCB Assy,Low Temp Display,OLED,M2/M2A Smart Transmitter	90.00

Numerical Index

Part#	Description	Suggested Retail
57-1050RK	Xmtr,4-20 ma,LEL,S type, as sold	225.00
57-1053RK	Transmitter, S2, LEL, 4-20 mA, standard version, 4 wire (low current) detector	240.00
57-1053RK-01	Xmtr,S2,LEL,potted,4-20 mA,Std version,4-wire (low current) detector,w/out orienting gasket	240.00
57-1056RK-02	Xmtr,S2,potted,MOS,linearizing,ppm H2,0-2000 ppm,4-20 mA,with gasket	400.00
57-1060RK	Xmtr,4-20 ma,H2S/CO,S type	225.00
57-1061RK	Transmitter, 4-20 mA, Oxygen, S-type with temperature compensation for CT sensor, (old style)	225.00
57-1062RK	Transmitter, 4-20 mA, Oxygen, S-type with temperature compensation, (standard O2 amplifier)	225.00
57-1064RK-01	Transmitter, S2, Oxygen, 0-25%, 4-20 mA, with gasket.....	225.00
57-1064RK-02	Xmtr,S2,potted,4-20 mA,0-100% Oxy, with gasket	225.00
57-1064RK-03	Transmitter, S2, toxics, 4-20 mA, with gasket	225.00
57-1064RK-50	Xmtr,S2,potted,4-20 mA,installed in 18-0400RK junction box	350.00
57-1250RK	Relay Module, 4 - 20 mA	250.00
57-1251RK	Relay module with explosion proof j-box	380.00
57-1252RK	Potted assy,4-20mA xmtr,CO w/H2 compensation	250.00
57-1280RK-01	Terminal/relay board,potted,oxygen,M2A Transmitter	380.00
57-1280RK-02	Terminal/relay board,potted,CO,M2A Transmitter	380.00
57-1280RK-03	Terminal/relay board,potted,H2S,M2A Transmitter	380.00
57-1280RK-04	Terminal/relay board,potted,ASH3,M2A Transmitter	380.00
57-1280RK-06	Terminal/relay board,potted,NH3,M2A Transmitter	380.00
57-1280RK-08	Terminal/relay board,potted,PH3,M2A Transmitter	380.00
57-1280RK-09	Terminal/relay board,potted,SO2,M2A Transmitter	380.00
57-1280RK-101	Terminal/relay board,potted,oxygen,M2A Transmitter for LCD display	380.00
57-1280RK-102	Terminal/relay board,potted,CO,M2A Transmitter for LCD display	380.00
57-1280RK-103	Terminal/relay board,potted,H2S,M2A Transmitter for LCD display.....	380.00
57-1280RK-104	Terminal/relay board,potted,ASH3,M2A Transmitter for LCD display	380.00
57-1280RK-106	Terminal/relay board,potted,NH3,M2A Transmitter for LCD display	380.00
57-1280RK-108	Terminal/relay board,potted,PH3,M2A Transmitter for LCD display	380.00
57-1280RK-109	Terminal/relay board,potted,SO2,M2A Transmitter for LCD display	380.00
57-1280RK-11	Terminal/relay board,potted,HCN,M2A Transmitter	380.00
57-1280RK-111	Terminal/relay board,potted,HCN,M2A Transmitter for LCD display	380.00
57-1280RK-13	M2A transmitter,Toxic/Oxy, w/o detector	720.00
57-1280RK-14	Terminal/relay board,potted,0-100 ppm CO,M2A Transmitter	380.00
57-1280RK-15	Terminal/relay board,potted,0-200 ppm CO,M2A Transmitter	380.00
57-1280RK-16	M2A transmitter,Toxic/Oxy, w/o detector,w/magnet,specify gas and range	720.00
57-1280RK-17	M2A transmitter,Toxic/Oxy,w/o detector & j-box,specify gas and range	520.00
57-1281RK-01	Terminal/relay board,potted,LEL,M2A Transmitter,specify calibration gas	380.00
57-1281RK-02	Terminal/relay board,potted,LEL,H2 specific,M2A Transmitter	380.00
57-1281RK-05	Terminal/relay board,potted,LEL,IR HC sensor,M2A Transmitter	380.00
57-1281RK-06	Terminal/relay board,potted,IR CO2 sensor,0 - 5,000 ppm,M2A Transmitter	380.00
57-1281RK-07	Terminal/relay board,potted,IR CO2 sensor,0 - 5%,M2A Transmitter	380.00
57-1281RK-08	Terminal/relay board,potted,IR CO2 sensor,0 - 50%,M2A Transmitter	380.00
57-1281RK-09	Terminal/relay board,potted,IR CO2 sensor,0 - 100%,M2A Transmitter	380.00
57-1281RK-101	Terminal/relay board,potted,LEL,M2A Transmitter for LCD display,specify cal gas	380.00
57-1281RK-102	Terminal/relay board,potted,LEL,H2 specific,M2A Transmitter for LCD Display	380.00
57-1281RK-105	Terminal/relay board,potted,LEL,IR HC sensor,M2A Transmitter for LCD Display	380.00
57-1281RK-106	Terminal/relay board,potted,IR CO2 sensor,0 - 5,000 ppm,M2A Transmitter for LCD Display.....	380.00
57-1281RK-107	Terminal/relay board,potted,IR CO2 sensor,0 - 5%,M2A Transmitter for LCD Display	380.00
57-1281RK-108	Terminal/relay board,potted,IR CO2 sensor,0 - 50%,M2A Transmitter for LCD Display	380.00
57-1281RK-109	Terminal/relay board,potted,IR CO2 sensor,0 - 100%,M2A Transmitter for LCD Display	380.00
57-1281RK-11	Terminal/relay board,potted,IR CH4 sensor,0 - 100% volume,M2A Transmitter	380.00
57-1281RK-111	Terminal/relay board,potted,IR CH4 sensor,0 - 100% volume,M2A Transmitter for LCD Display	380.00
57-1281RK-13	M2A transmitter,combustible/CO2, w/o detector	720.00
57-1281RK-16	M2A transmitter,combustible/CO2, w/o detector,w/magnet,specify gas and range	740.00
57-1281RK-17	M2A transmitter,combustible/CO2,w/o detector & j-box,specify gas and range	600.00
57-1282	Main PC board assembly, GP-03	160.00
57-1283	Main PC board assembly, OX-03	150.00
57-1284	Main PC board assembly, CO-03	150.00
57-1285	Main PC board assembly, HS-03	150.00
57-2001RK	PCB assembly,RP-2009	175.00
57-2005RK	PC board assembly, type 4 with cable for PID, EAGLE 2	36.00
57-2005RK-01	Adaptor assembly, type 4 to ESM-01 with cable, EAGLE 2	66.00

Numerical Index

Part#	Description	Suggested Retail
57-2041RK	Sensor PC board assembly, GX-2012	88.00
57-2042RK	Sensor PC board assembly, Gas Tracer	88.00
57-2043RK	CPU PC board assembly, GX-2012	640.00
57-2044RK	CPU PC board assembly, Gas Tracer	640.00
57-2050RK	CPU PCB assembly for GX-2001	240.00
57-2051RK	Analog PCB assembly for GX-2001	210.00
57-2052RK	PCB main assembly, GX-2009.....	250.00
57-2055RK	PCB assy,main,GW-2X.....	235.00
57-2056RK	PCB assy,main,GW-2C.....	235.00
57-2057RK	PCB assy,main,GW-2H	235.00
57-2060RK	PCB assy,sensor,w/buzzer & sensor socket,GP-01	64.00
57-2061RK	PCB assy,CPU,GP-01	80.00
57-2062RK	Analog PC board assembly for GP-01	105.00
57-2063RK	CPU PC board assembly, GX-2003	400.00
57-2064RK	Analog PCB assembly with sensor sockets installed, GX-2003.....	360.00
57-2066RK	PCB assy,analog,HS-01	105.00
57-2067RK	PC board assembly for sensor, buzzer and sensor socket for HS-01 and CO-01	68.00
57-2068RK	PCB assy,CPU board,SC-01	140.00
57-2069RK	PCB assembly,analog board,SC-01	175.00
57-2070RK	Display w/PCB assembly,SC-01	140.00
57-2071RK	PCB assembly,main,RX-415	650.00
57-2072RK	PCB assy,current limiting,RX-515/RX-516/RX-517	230.00
57-2073RK-515	PCB assembly,main,RX-515	750.00
57-2073RK-516	PCB assembly,main,RX-516	750.00
57-2073RK-517	PCB assembly,main,RX-517	750.00
57-2074RK	PCB assembly,control switches,RX-415	105.00
57-2080RK	PCB assembly, RS-485 communication Board, RM-5000	85.00
57-2081RK	PCB assy,sensor,w/buzzer and sensor socket,OX-01	68.00
57-2082	PCB assesmbly,main,GX-8000	1,140.00
57-2083	PCB assesmbly,amp,for types A-F,GX-8000	115.00
57-2086	PCB assesmbly,main,RX-8000	1,140.00
57-2087	PCB assesmbly,amp,RX-8000	1,140.00
57-2088	PCB assesmbly,oxygen sensor,RX-8000.....	1,140.00
57-2091	Main PCB assembly for FP-31.....	350.00
57-5092	Tab cover assembly for FP-31.....	56.00
57-7114RK	Auto Sensor keeper,GD-K8A/D	220.00
57-7114RK-01	Auto Sensor keeper,GD-K8A/D,NH3	220.00
57-7951RK	PCB,replacement,RP-5 pump	84.00
57-8021RK	PC Board assembly, NP-204	85.00
57-8030RK	PC Board assembly, main, GX-86, new	100.00
57-8050RK	Converter, 24 VDC to 24 VAC, for GD-D8 24 VDC type	100.00
60-1006RK	Flame Arrestor,CT-7 Sensor	95.00
60-1006RK-01	Flame Arrestor w/guard,CT-7 Sensor.....	115.00
60-1007RK	Flame arrestor w/plate,GP-204	20.00
60-5010RK	LEL filaments only, for HW-6244A, (for 61-0220RK), GX-82/-86, GX-82A/-86A, GP-82.....	70.00
61-0101RK	Sensor, LEL, 1/2" NPT, CH4, GTI, 61-0101 substitute, (NC-6242)	260.00
61-0101RK-02	Sensor,LEL,1/2" NPT,CH4,NC-6242,w/o rain shield	260.00
61-0126CRK	Sensor,LEL,1/2" NPT,CH4,GTI 61-0126C sub,NC-6242,CSA classified	310.00
61-0140RK	Sensor, LEL combustible (catalytic), direct connection (no transmitter, no j-box), UL version	250.00
61-0140RK-01	Sensor,LEL,1/2" NPT,CH4 (NC-6241), without rain shield	240.00
61-0140RK-01-12	Sensor,LEL,1/2" NPT,CH4 (NC-6241),w/o rain shield,w/12 foot cable	255.00
61-0140RK-03	Sensor,LEL,1/2" NPT,CH4,w/3' cable	275.00
61-0140RK-05	Sensor, LEL combustible (catalytic), direct connection (no transmitter, no j-box), cCSAus version	300.00
61-0155RK	Sensor, LEL H2 only, plug-in, (NC-6244) for EAGLE 2, 35-3001, 35-3000, GD-A8/D8	250.00
61-0160RK	Sensor, Hydrogen (H2) 0-2,000 ppm sensor only, 1/2 NPT, UL version	400.00
61-0160RK-02	Sensor, H2, 0-2000 ppm, 1/2" NPT, SG-8546, without shield	400.00
61-0165RK	Sensor, Hydrogen (H2), 0-2000 ppm, SG-8541, plug-in	400.00
61-0165RK-4000	Sensor,H2,0-4000 ppm,plug-in,SG-8541	400.00
61-0180RK	Sensor,TC,TE-7560 in 1/2" NPT, RKI potted style	400.00
61-0190RK-CH4	Sensor, IR, Methane (CH4) 0 - 100% LEL, explosion proof direct connection, 3/4" NPT nipple (no transmitter, no j-box), cULus version	750.00

Numerical Index

Part#	Description	Suggested Retail
61-0190RK-HC	Sensor, IR, Hydrocarbon (HC) 0 - 100% LEL, isobutane standard calibration, explosion proof direct connection, 3/4" NPT nipple (no transmitter, no j-box), cULus version	750.00
61-0191RK-02	Sensor, IR, Carbon Dioxide (CO2) 0 - 5,000 ppm, explosion proof direct connection (no transmitter, no j-box), cULus version	800.00
61-0191RK-03	Sensor, IR, Carbon Dioxide (CO2) 0 - 5%, explosion proof direct connection (no transmitter, no j-box), cULus version	800.00
61-0191RK-05	Sensor, IR, Carbon Dioxide (CO2) 0 - 50%, explosion proof direct connection (no transmitter, no j-box), cULus version	800.00
61-0191RK-10	Sensor, IR, Carbon Dioxide (CO2) 0 - 100%, explosion proof direct connection (no transmitter, no j-box), cULus version	800.00
61-0192RK-CH4	Sensor, IR, Methane (CH4) 0 - 100% volume, explosion proof direct connection, 3/4" NPT nipple (no transmitter, no j-box), cULus version	800.00
61-0198RK-02	Sensor, IR Carbon Dioxide (CO2) 0-5,000 ppm, non explosion proof direct connect, replaceable sensor ...	700.00
61-0198RK-03	Sensor, IR Carbon Dioxide (CO2) 0-5%, non explosion proof direct connect, replaceable sensor	700.00
61-0198RK-05	Sensor, IR Carbon Dioxide (CO2) 0-50%, non explosion proof direct connect, replaceable sensor	700.00
61-0198RK-10	Sensor, IR Carbon Dioxide (CO2) 0-100%, non explosion proof direct connect, replaceable sensor.....	700.00
61-0199RK-CH4	Assembly,detector,IR,0 - 100 %volume CH4,non XP w/replaceable sensor.....	800.00
61-0206-CH4	Detector assembly with replaceable sensor, IR, Methane (CH4) 0 - 100% LEL, explosion proof direct connection with 3/4" NPT conduit mounting (no transmitter, no j-box),	720.00
61-0206-HC	Detector assembly with replaceable sensor, IR, Hydrocarbon (HC) 0 - 100% LEL, explosion proof direct connection with 3/4" NPT conduit mounting (no transmitter, no j-box),	720.00
61-0207-02	Detector assembly with replaceable sensor, IR, Carbon Dioxide (CO2) 0 - 5,000 ppm, explosion proof direct connection, 3/4" NPT conduit mounting (no transmitter, no j-box), cULus version	760.00
61-0207-03	Detector assembly with replaceable sensor, IR, Carbon Dioxide (CO2) 0 - 5%, explosion proof direct connection, 3/4" NPT conduit mounting (no transmitter, no j-box), cULus version	760.00
61-0207-05	Detector assembly with replaceable sensor, IR, Carbon Dioxide (CO2) 0 - 50%, explosion proof direct connection, 3/4" NPT conduit mounting (no transmitter, no j-box), cULus version	760.00
61-0207-10	Detector assembly with replaceable sensor, IR, Carbon Dioxide (CO2) 0 - 100%, explosion proof direct connection, 3/4" NPT conduit mounting (no transmitter, no j-box), cULus version	760.00
61-0217RK	Sensor, LEL (HW - 6259A), GX-94 / Safetmate	160.00
61-0220RK	Sensor, LEL (complete), HW-6244A, GX-82 type	200.00
61-0250RK	Sensor block,GX-82	110.00
61-0300RK-01	Sensor, VOC's, 0 - 50 ppm PID	1,100.00
61-0300RK-02	Sensor, VOC's, 0 - 2,000 ppm PID	940.00
61-1000RK	Sensor, LEL combustible (catalytic) with explosion proof j-box (no transmitter), (specify calibration), UL version	350.00
61-1000RK-04	Sensor, LEL combustible (catalytic) with explosion proof j-box (no transmitter), (specify calibration) and calibration adapter/splash guard	425.00
61-1000RK-05	Sensor, LEL combustible (catalytic) with explosion proof j-box (no transmitter), (specify calibration), CSA version.....	400.00
61-1000RKSS	LEL Sensor with XP stainless steel J-Box	450.00
61-1000RKSS-05	LEL Sensor with XP stainless steel J-Box,CSA type	500.00
61-1001RK	Sensor, LEL Hydrogen (H2) specific with explosion proof j-box (no transmitter), UL version.....	495.00
61-1001RK-04	Sensor, LEL Hydrogen (H2) specific with explosion proof j-box (no transmitter) and calibration adapter/splash guard.....	580.00
61-1001RK-05	Sensor, LEL Hydrogen (H2) specific with explosion proof j-box (no transmitter), CSA version	545.00
61-1001RKSS	Hydrogen specific LEL sensor w/XP stainless steel j-box	595.00
61-1003RK-CH4	Sensor, IR, Methane (CH4) 0 - 100% LEL, explosion proof with j-box, UL version	850.00
61-1003RK-CH4-4	Sensor, IR, Methane (CH4) 0 - 100% LEL, explosion proof with j-box and calibration adapter/splash guard	890.00
61-1003RK-HC	Sensor, IR, Hydrocarbons (HC) 0 - 100% LEL, isobutane standard calibration, explosion proof with j-box, UL version	850.00
61-1003RKSS-CH4	Sensor, IR, Methane (CH4) 0 - 100% LEL, explosion proof with stainless steel j-box, UL version	950.00
61-1003RKSS-HC	IR LEL detector with XP Stainless Steel J-Box,HC	950.00
61-1004RK-02	Sensor, IR, Carbon Dioxide (CO2) 0 - 5,000 ppm, explosion proof with j-box, UL version	900.00
61-1004RK-03	Sensor, IR, Carbon Dioxide (CO2) 0 - 5%, explosion proof with j-box, UL version	900.00
61-1004RK-03DIS	IR detector with XP J-Box,CO2,0 - 5%,w/splashguard	900.00
61-1004RK-05	Sensor, IR, Carbon Dioxide (CO2) 0 - 50%, explosion proof with j-box, UL version	900.00
61-1004RK-10	Sensor, IR, Carbon Dioxide (CO2) 0 - 100%, explosion proof with j-box, UL version	900.00
61-1004RKSS-02	IR detector with XP Stainless Steel J-Box,CO2,0 - 5,000 ppm	1,000.00
61-1004RKSS-03	IR detector with XP Stainless Steel J-Box,CO2,0 - 5%	1,000.00
61-1004RKSS-05	IR detector with XP Stainless Steel J-Box,CO2,0 - 50%	1,000.00

Numerical Index

Part#	Description	Suggested Retail
61-1004RKSS-10	IR detector with XP Stainless Steel J-Box,CO2,0 - 100%	1,000.00
61-1006RK-CH4	Sensor, IR, Methane (CH4) 0 - 100% VOL, with j-box, UL version	900.00
61-1006RK-CH4-1	Sensor, IR, Methane (CH4) 0 - 100% vol, explosion proof with j-box, remote detector and splash guard/cal cup, UL version	890.00
61-1006RKSS-CH4	IR 0 - 100% %volume CH4 detector with XP Stainless Steel J-Box	1,000.00
61-1007RK-02	Sensor, IR, Carbon Dioxide (CO2) 0 - 5,000 ppm, non explosion proof with j-box	760.00
61-1007RK-03	Sensor, IR, Carbon Dioxide (CO2) 0 - 5%, non explosion proof with j-box	760.00
61-1007RK-05	Sensor, IR, Carbon Dioxide (CO2) 0 - 50%, non explosion proof with j-box	760.00
61-1007RK-10	Sensor, IR, Carbon Dioxide (CO2) 0 - 100%, non explosion proof with j-box	760.00
61-1007RKSS-02	IR detector with stainless steel J-Box,CO2,0 - 5,000 ppm,non XP w/repaceable sensor	860.00
61-1007RKSS-03	IR detector with stainless steel J-Box,CO2,0 - 5%,non XP w/repaceable sensor	860.00
61-1007RKSS-05	IR detector with stainless steel J-Box,CO2,0 - 50%,non XP w/repaceable sensor	860.00
61-1007RKSS-10	IR detector with stainless steel J-Box,CO2,0 - 100% volume,non XP w/repaceable sensor	860.00
61-1050RK	Hydrogen (H2) specific sensor / j-box, 0-2000 ppm	495.00
61-1050RK-01	Sensor/J-Box & calibration cup w/diffusion holes,H2 only,2000 ppm	525.00
61-5006RK	Sensor, IR, Methane (CH4), RI/RX-415, RX-8000, model DE-3113-4	1,260.00
61-5007RK	Sensor, IR, Hydrocarbons (HC), RI/RX-415, RX-8000, model DE-3123-1	1,260.00
61-5008RK	Detector assembly,IR,CH4/CO2,RX-515, model DE-3123-2,as sold	1,400.00
61-5010RK	IR sensor / pcb assembly, Carbon Dioxide (CO2), 0 - 5% volume range, EAGLE, DE-3113-1	750.00
61-5011RK	IR sensor / pcb assembly, Carbon Dioxide (CO2), 0 - 5,000 ppm & 10,000 ppm range, EAGLE, DE-3113-2	750.00
61-5012RK	IR sensor / pcb assembly, Carbon Dioxide (CO2), 0 - 20% & 60% volume range, EAGLE, DE-3113-6	750.00
61-5015RK	IR detector,0 - 1% CO2,DE-3113-5,RI-85	525.00
61-5016RK	IR detector,0 - 5% CO2,DE-3113-9,RI-85	525.00
61-5020RK	IR sensor / pcb assembly, Methane (CH4), 0 - 100% LEL & 0 - 100% volume autoranging, EAGLE, DE-3113-3750.00	750.00
61-5021RK	IR sensor / pcb assembly, HC, 100 % LEL / 30% volume, autoranging, EAGLE, DE-3113-11	750.00
61-5025RK	IR sensor / pcb assembly, Methane (CH4), 0 - 100% LEL range, EAGLE, DE-3113-3	750.00
61-5039RK-CH4	Sensor, IR detector, plug-in, 100% LEL CH4	460.00
61-5039RK-HC	Sensor, IR detector, plug-in, 100% LEL HC	460.00
61-5040RK-02	Sensor, IR Carbon Dioxide (CO2) 0-5,000 ppm, plug-in type, non-explosion proof	500.00
61-5040RK-03	Sensor, IR Carbon Dioxide (CO2) 0-5%, plug-in type, non-explosion proof	500.00
61-5040RK-05	Sensor, IR Carbon Dioxide (CO2) 0-50%, plug-in type, non-explosion proof	500.00
61-5040RK-10	Sensor, IR Carbon Dioxide (CO2) 0-100%, plug-in type, non-explosion proof	500.00
61-5041RK-CH4	Sensor, IR Methane (CH4) 0 - 100% vol, plug-in	550.00
62-0010RK	Sensor assembly for PS 2, LEL, with 30' cable	100.00
62-0011RK	Sensor assembly for PS 2, PPM, with 30' cable	100.00
62-0107RK	Sensor/flame arrestor assembly, for NP-204, RKK Style, MS-6311	280.00
62-0111RK	Sensor/flame arrestor/hardware, GP-204, RKK Style	200.00
62-0121RK	Sensor,LEL,GX-7,Complete, (GE-5740-C2/B)	220.00
62-0125RK	Sensor, LEL / ppm Hydrocarbon (NC-6260), EAGLE standard catalytic sensor	200.00
62-0126RK	Sensor, LEL for GX-4000A (NS-2900-M)	200.00
62-0127RK	Sensor, LEL complete for SP-237H, GE-8241-C4C	275.00
62-0128RK	Sensor, PPM complete for SP-237H, SH-8141-C4C	275.00
62-0135RK	Sensor, LEL for NP-237H (GE-4641-S6-M), methane, propane, HC	275.00
62-0136RK	Sensor, % volume TC for NP-237H, TE-4148-S6, methane, propane, HC	275.00
62-0160A	Sensor replacement for SP-205A, SH-8619	195.00
62-0160ASC	Sensor replacement for SP-205ASC, SH-8621	195.00
65-0601RK	Sensor, Oxygen (O2) (OS-B3), for EAGLE, EAGLE 2, or RX-415	160.00
65-0606RK	Sensor, Oxygen (O2) for OX-62B (OS-8076)	280.00
65-0607RK	Sensor, Oxygen (O2), (OS-B7) for OX-226/OX-227/GX-7	200.00
65-0612RK	Sensor, Oxygen, 2 wire with connector, GT (OS-BM1 with connector)	160.00
65-0613RK	Sensor, Oxygen (O2), Diffusion EAGLE	160.00
65-1025RK	Sensor, Oxygen (O2) 0 - 25%, capillary type, plug-in replacement for O2 assembly (65-2514RK & 65-2497RK)	140.00
65-1051RK	Sensor, Oxygen (O2), OS-B12, GX-82 type	140.00
65-1058RK	Sensor, Oxygen (O2), OS-BM1 for RX-8000, GX-8000, RX-515, -516, -517, GX-94	150.00
65-2003RK	Sensor, Carbon Monoxide (CO), ES-81, GX-82 type	175.00
65-2004RK	Sensor,CO,w/Cable,3220/4320 (ES-81 w/conn)	195.00
65-2005RK	Sensor, Carbon Monoxide (CO), 0 - 500 ppm range, EAGLE/EAGLE 2	195.00
65-2007RK	Sensor, Carbon Monoxide (CO), ES-81 type with connector for 35-3000RK	200.00
65-2008RK	Sensor, Carbon Monoxide (CO) (ES-031), GX-94 / GX-8000	175.00
65-2009RK	Sensor, Carbon Monoxide (CO) sensor, H2 compensated, EAGLE	320.00

Numerical Index

Part#	Description	Suggested Retail
65-2023RK	Sensor, Sulfur Dioxide (SO2), ES-88A, for old style GX-82 type.....	200.00
65-2033RK	Sensor, Hydrogen Sulfide (H2S), ES-87A, GX-82 type	175.00
65-2034RK	Sensor,H2S,w/Cable,3220/4320, (ES-87A w/conn)	185.00
65-2035RK	Sensor, Hydrogen Sulfide (H2S), 0 - 100 ppm range, EAGLE (standard H2S sensor)	195.00
65-2037RK	Sensor, Hydrogen Sulfide (H2S), ES-87 type with connector for 35-3000RK	200.00
65-2038RK	Sensor, Hydrogen Sulfide (H2S) (ES-037A)	175.00
65-2039RK	Sensor,H2S,CitiTech,7H,0-200ppm,1000ppm Max Overload	360.00
65-2300RK-ASH3	Sensor, Arsine (AsH3) sensor, 0 - 1.5 ppm, direct connection with conduit mounting, non explosion proof (no transmitter, no j-box)	550.00
65-2300RK-HCN	Sensor, Hydrogen Cyanide (HCN) sensor, 0 - 15 ppm, direct connection with conduit mounting non explosion proof (no transmitter, no j-box).....	550.00
65-2300RK-NH3	Sensor, Ammonia (NH3) sensor, 0 - 75 ppm, direct connection with conduit mounting, non explosion proof (no transmitter, no j-box).....	550.00
65-2300RK-PH3	Sensor, Phosphine (PH3) sensor, 0 - 1 ppm, direct connection with conduit mounting, non explosion proof (no transmitter, no j-box).....	550.00
65-2300RK-SO2	Sensor, Sulfur Dioxide (SO2) sensor, 0 - 6 ppm, direct connection with conduit mounting, non explosion proof (no transmitter, no j-box).....	550.00
65-2301RK-ASH3	Sensor, Arsine (AsH3) sensor, 0 - 1.5 ppm, direct connection, non explosion proof with j-box (no transmitter)	650.00
65-2301RK-HCN	Sensor, Hydrogen Cyanide (HCN) sensor, 0 - 15 ppm, direct connection, non explosion proof with j-box (no transmitter)	650.00
65-2301RK-NH3	Sensor, Ammonia (NH3) sensor, 0 - 75 ppm, direct connection, non explosion proof with j-box (no transmitter)	650.00
65-2301RK-PH3	Sensor, Phosphine (PH3) sensor, 0 - 1 ppm, direct connection, non explosion proof with j-box (no transmitter)	650.00
65-2301RK-SO2	Sensor, Sulfur Dioxide (SO2) sensor, 0 - 6 ppm, direct connection, non explosion proof with j-box (no transmitter)	650.00
65-2301RKSS-ASH	Detector/XP stainless steel j-box assembly,ESM-01,ASH3 0-1.5 ppm	750.00
65-2301RKSS-HCN	Detector/XP stainless steel j-box assembly,ESM-01,HCN 0-15 ppm	750.00
65-2301RKSS-NH3	Detector/XP stainless steel j-box assembly,ESM-01,NH3 0-75 ppm.....	750.00
65-2301RKSS-PH3	Detector/XP stainless steel j-box assembly,ESM-01,PH3 0-1 ppm	750.00
65-2301RKSS-SO2	Detector/stainless steel j-box assembly,ESM-01,SO2 0-6 ppm	750.00
65-2320RK	S2 Series Oxygen (O2) 0-25% sensor / transmitter (partial pressure), non explosion proof with j-box	510.00
65-2320RK-100	S2 Series Oxygen (O2) 0-100% sensor / transmitter, partial pressure, non explosion proof with j-box	525.00
65-2321RK	S2 Series Oxygen (O2) 0-25% sensor / transmitter, (capillary type) non explosion proof with j-box	580.00
65-2322RK	S2 Series Oxygen (O2) 0-25% sensor (capillary type) / transmitter, explosion proof with j-box, CSA version	650.00
65-2322RKSS	S2 detector/amp/XP Stainless Steel j-box,CSA XP,oxygen,capillary sensor,0 - 25% volume	750.00
65-2330RK	S2 Series Hydrogen Sulfide (H2S) 0-100 ppm sensor / transmitter, non explosion proof with j-box	580.00
65-2331RK	S2 Series Hydrogen Sulfide (H2S) 0-100 ppm sensor / transmitter, explosion proof with j-box, CSA version	650.00
65-2331RKSS	S2 detector/amp/XP Stainless Steel j-box,CSA XP,H2S,0 - 100 ppm.....	750.00
65-2335RK	S2 Series Carbon Monoxide (CO) 0-300 ppm sensor / transmitter, non explosion proof with j-box	580.00
65-2335RKSS	S2 detector/amp/stainless steel j-box,non XP,CO,0 - 300 ppm.....	680.00
65-2336RK	S2 Series Carbon Monoxide (CO) 0-300 ppm sensor / transmitter, explosion proof with j-box, CSA version	650.00
65-2336RKSS	S2 detector/amp/XP Stainless Steel j-box,CSA XP,CO,0 - 300 ppm	750.00
65-2340RK-ASH3	S2 Series Arsine (AsH3) 0-1.5 ppm sensor / transmitter, non explosion proof with j-box	800.00
65-2340RK-HCN	S2 Series Hydrogen Cyanide (HCN) 0-15 ppm sensor / transmitter, non explosion proof with j-box	800.00
65-2340RK-NH3	S2 Series Ammonia (NH3) 0-75 ppm sensor / transmitter, non explosion proof with j-box	800.00
65-2340RK-PH3	S2 Series Phosphine (PH3) 0-1 ppm sensor / transmitter, non explosion proof with j-box	800.00
65-2340RK-SO2	S2 Series Sulfur Dioxide (SO2) 0-6 ppm sensor / transmitter, non explosion proof with j-box	800.00
65-2340RKSS-ASH	S2 detector/amp/XP Stainless Steel j-box,non XP,ESM-01 type,AsH3,0 - 1.5 ppm	900.00
65-2340RKSS-HCN	S2 detector/amp/XP Stainless Steel j-box,non XP,ESM-01 type,HCN,0 - 15 ppm	900.00
65-2340RKSS-NH3	S2 detector/amp/XP Stainless Steel j-box,non XP,ESM-01 type,NH3,0 - 75 ppm	900.00
65-2340RKSS-PH3	S2 detector/amp/XP Stainless Steel j-box,non XP,ESM-01 type,PH3,0 - 1 ppm	900.00
65-2340RKSS-SO2	S2 detector/amp/XP Stainless Steel j-box,non XP,ESM-01 type,SO2,0 - 6 ppm	900.00
65-2390RK-CH4	S-Series Methane (CH4) 0-100% LEL, IR sensor / transmitter with j-box, UL version	1,075.00
65-2390RK-HC	S-Series Hydrocarbon (isobutane) 0-100% LEL, IR sensor / transmitter with j-box, UL version	1,075.00
65-2391RK-02	S-Series Carbon Dioxide (CO2) 0-5,000 ppm, IR sensor / transmitter with j-box, UL version	1,075.00
65-2391RK-03	S-Series Carbon Dioxide (CO2) 0-5%, IR sensor / transmitter with j-box, UL version	1,075.00
65-2391RK-05	S-Series Carbon Dioxide (CO2) 0-50%, IR sensor / transmitter with j-box, UL version	1,075.00
65-2391RK-10	Detector/transmitter/j-box,IR CO2,0 - 100%	1,075.00
65-2394RK-CH4	S2 Series IR, Methane (CH4) 0-100% LEL sensor / transmitter with explosion proof j-box	995.00

Numerical Index

Part#	Description	Suggested Retail
65-2394RK-CH4-4	S2, IR Methane (CH4) 0-100% LEL, sensor / transmitter, with j-box, remote detector and calibration adapter/splash guard	1,135.00
65-2394RK-HC	S2 Series IR, Hydrocarbon (HC) 0-100% LEL sensor / transmitter with explosion proof j-box	995.00
65-2394RKSS-CH4	S2 detector/transmitter/XP Stainless Steel j-box,IR LEL,CH4,explosion proof.....	1,095.00
65-2394RKSS-HC	S2 detector/transmitter/XP Stainless Steel j-box,IR LEL,HC,explosion proof	1,095.00
65-2395RK-CH4	S2 Series IR, Methane (CH4) 0-100% volume sensor / transmitter with explosion proof j-box	1,095.00
65-2395RK-CH4-1	S2, IR Methane (CH4) 0-100% volume, sensor / transmitter, with j-box, remote detector and splash guard/cal cup	1,185.00
65-2395RK-CH401	S2 detector/transmitter/j-box,IR 0 - 100% volume,CH4,w/sensor in opposite hub	1,095.00
65-2395RKSS-CH4	S2 detector/transmitter/XP Stainless Steel j-box,IR 0 - 100% volume,CH4	1,195.00
65-2396RK-02	S2 Series IR Carbon Dioxide (CO2) 0-5,000 ppm sensor / transmitter, explosion proof with j-box, UL version	1,045.00
65-2396RK-03	S2 Series IR Carbon Dioxide (CO2) 0-5% sensor / transmitter, explosion proof with j-box, UL version ...	1,045.00
65-2396RK-05	S2 Series IR Carbon Dioxide (CO2) 0-50% sensor / transmitter, explosion proof with j-box, UL version	1,045.00
65-2396RK-10	S2 Series IR Carbon Dioxide (CO2) 0-100% sensor / transmitter, explosion proof with j-box, UL version	1,045.00
65-2396RKSS-02	S2 detector/transmitter/XP Stainless Steel j-box,IR,0 - 5,000 ppm CO2	1,145.00
65-2396RKSS-03	S2 detector/transmitter/XP Stainless Steel j-box,IR,0 - 5% CO2	1,145.00
65-2396RKSS-05	S2 detector/transmitter/XP Stainless Steel j-box,IR,0 - 50% CO2	1,145.00
65-2396RKSS-10	S2 detector/transmitter/XP Stainless Steel j-box,IR,0 - 100% CO2	1,145.00
65-2397RK-02	S2 Series IR Carbon Dioxide (CO2) 0-5,000 ppm, non explosion proof with j-box	895.00
65-2397RK-03	S2 Series IR Carbon Dioxide (CO2) 0-5%, non explosion proof with j-box	895.00
65-2397RK-05	S2 Series IR Carbon Dioxide (CO2) 0-50%, non explosion proof with j-box.....	895.00
65-2397RK-10	S2 Series IR Carbon Dioxide (CO2) 0-100%, non explosion proof with j-box	895.00
65-2397RKSS-02	S2 detector/transmitter/XP Stainless Steel j-box,IR,0-5000 ppm CO2,explosion proof	995.00
65-2400RK	S-Series LEL sensor (catalytic) / transmitter with explosion proof j-box, UL version	650.00
65-2400RK-05	S-Series LEL sensor (catalytic) / transmitter with explosion proof j-box, CSA version	700.00
65-2403RK-05	Sensor housing/preamp,potted,w/wires,CO CT-7 CSA.....	130.00
65-2405RK	S2 Series LEL sensor (catalytic) / transmitter with explosion proof j-box, UL version, (specify calibration)	565.00
65-2405RK-04	S2, LEL 0-100% sensor (catalytic) / transmitter with j-box, (specify calibration), remote detector and calibration adapter/splash guard	695.00
65-2405RK-05	S2 Series LEL sensor (catalytic) / transmitter with explosion proof j-box, CSA version, (specify calibration)	595.00
65-2405RK-NJB	S2 LEL Transmitter/detector, no junction box,4 - 20 mA	460.00
65-2405RKSS	S2 LEL Transmitter/detector/XP Stainless Steel j-box,4 - 20 mA, Specify Calibration.....	665.00
65-2405RKSS-05	S2 LEL Xmitter/detector/XP SS j-box,4 - 20 mA, CSA Version, Specify Calibration.....	695.00
65-2408	Sensor housing preamp potted with wires CO CT 7 CSA RF resistant	150.00
65-2418	Sensor housing/preamp,potted,w/wires,H2S CT-7 CSA,RF resistant	150.00
65-2422RK-05	S-Series Hydrogen Sulfide (H2S) sensor / transmitter with explosion proof j-box, CSA version	775.00
65-2423RK-05	Sensor, Hydrogen Sulfide (H2S), direct connection (no transmitter, no j-box), CSA version	360.00
65-2424RK	Hydrogen Sulfide (H2S) sensor / transmitter in plastic enclosure (non explosion proof)	295.00
65-2427RK-05	Sensor, Hydrogen Sulfide (H2S) with j-box, CSA version	495.00
65-2427RKSS-05	Sensor/XP stainless steel j-box,H2S,CT7,CSA version	595.00
65-2428	Sensor assy,H2S,w/Preamp,CT7,CSA classified,RF resistant	380.00
65-2428-NS	Sensor assy, H2S, w/Preamp, CT-7,CSA classified,RF resistant,no Sensor	255.00
65-2432RK-05	S-Series Carbon Monoxide (CO) sensor / transmitter with j-box, CSA version	775.00
65-2434RK	Carbon Monoxide (CO) sensor / transmitter in plastic enclosure (non explosion proof)	295.00
65-2435RK	Sensor, Carbon Monoxide (CO), H2 compensated, S Series sensor / transmitter, with j-box).....	995.00
65-2437RK-05	Sensor, Carbon Monoxide (CO) with j-box, CSA version	495.00
65-2437RKSS-05	Sensor/XP Stainless Steel j-box,CO,CT7,CSA version	595.00
65-2438	Sensor assembly,CO,w/Preamp,CT-7,CSA classified, RF resistant.....	380.00
65-2442RK-1000	S2 Series Hydrogen (H2) specific 0 - 1,000 ppm sensor / transmitter with explosion proof j-box, UL version.....	795.00
65-2442RK-2000	S2 Series Hydrogen (H2) specific 0 - 2,000 ppm sensor / transmitter with explosion proof j-box, CSA version.....	795.00
65-2442RKSS-2K	Transmitter/sensor/XP Stainless Steel j-box,S2 series,H2 specific MOS,0-2000 ppm linearized	895.00
65-2450RK	S-Series LEL Hydrogen (H2) specific sensor / transmitter with explosion proof j-box, UL version	850.00
65-2450RK-05	S-Series LEL Hydrogen (H2) specific sensor / transmitter with explosion proof j-box, CSA version	890.00
65-2451RK	S2 Series Hydrogen (H2) specific 0 - 100% LEL sensor / transmitter with explosion proof j-box, UL version	690.00
65-2451RK-04	S2, Hydrogen (H2) specific 0-100% LEL (catalytic) / transmitter with j-box, remote detector and calibration adapter/splash guard	765.00
65-2451RK-05	S2 Series Hydrogen (H2) specific 0 - 100% LEL sensor / transmitter with explosion proof j-box, CSA version.....	740.00
65-2451RKSS	S2 LEL xmtr/detector/XP Stainless Steel j-box,4-20 mA,H2 specific.....	790.00

Numerical Index

Part#	Description	Suggested Retail
65-2451RKSS-05	S2 LEL xmtr/detector/XP Stainless Steel j-box,4-20 mA,H2 specific, CSA Vesrion	840.00
65-2462RK	S2 Series Hydrogen (H2) 0-10% vol sensor (TC) / transmitter, explosion proof with j-box	695.00
65-2463RK	S2 Series Methane (CH4) 0-100% vol sensor (TC) / transmitter, explosion proof with j-box	695.00
65-2463RK-12	S2 Transmitter/detector/j-box,4 - 20 mA, 0-100% volume CH4,detector w/out guard	695.00
65-2470RK	Sensor assy,CO,H2 compensated,(preamp & sensor)	560.00
65-2471RK	Sensor housing/preamp,potted,w/wires,CO,H2 comp.	160.00
65-2480RK-01	Multi-sensor, direct connection for LEL (catalytic) / O2 / H2S with j-box, UL version	1,200.00
65-2480RK-02	Multi-sensor, direct connection for LEL (catalytic) / O2 / CO with j-box, UL version	1,200.00
65-2480RK-03	Multi-sensor, direct connection for LEL (catalytic) / H2S with j-box, UL version	800.00
65-2480RK-04	Multi-sensor, direct connection for LEL (catalytic) / CO with j-box, UL version	800.00
65-2480RK-05	Multi-sensor, direct connection for LEL (catalytic) / H2S / CO with j-box, CSA version	1,200.00
65-2480RK-51	Multi-sensor, direct connection for LEL (catalytic) / O2 / H2S with j-box, CSA version	1,250.00
65-2480RK-52	Multi-sensor, direct connection for LEL (catalytic) / O2 / CO with j-box, CSA version	1,250.00
65-2480RK-53	Multi-sensor, direct connection for LEL (catalytic) / H2S with j-box, CSA version	850.00
65-2480RK-54	Multi-sensor, direct connection for LEL (catalytic) / CO with j-box, CSA version	850.00
65-2481RK	Multi-sensor, direct connection for LEL (catalytic) / O2 / H2S / CO with j-box	1,700.00
65-2481RK-01	Multi-sensor, direct connection for IR LEL (CH4) / O2 / H2S / CO with j-box	2,200.00
65-2481RK-02	Multi-sensor, direct connection for IR LEL (HC) / O2 / H2S / CO with j-box	2,200.00
65-2482RK-01	Multi-sensor, direct connection for IR LEL (CH4) / O2 / H2S with j-box, UL version	1,700.00
65-2482RK-02	Multi-sensor, direct connection for IR LEL (CH4) / O2 / CO with j-box, UL version	1,700.00
65-2482RK-03	Multi-sensor, direct connection for IR LEL (CH4) / H2S with j-box, UL version	1,300.00
65-2482RK-04	Multi-sensor, direct connection for IR LEL (CH4) / CO with j-box, UL version	1,300.00
65-2482RK-05	Multi-sensor, direct connection for IR LEL (CH4) / O2 / with j-box	1,300.00
65-2482RK-06	Multi-sensor, direct connection for IR LEL (CH4) / H2S / CO with j-box	1,700.00
65-2483RK-01	Multi-sensor, direct connection for IR LEL (HC) / O2 / H2S with j-box, UL version	1,700.00
65-2483RK-02	Multi-sensor, direct connection for IR LEL (HC) / O2 / CO with j-box, UL version	1,700.00
65-2483RK-03	Multi-sensor, direct connection for IR LEL (HC) / H2S with j-box, UL version	1,300.00
65-2483RK-04	Multi-sensor, direct connection for IR LEL (HC) / CO with j-box, UL version	1,300.00
65-2483RK-05	Multi-sensor, direct connection for IR LEL (HC) / O2 with j-box, UL version	1,300.00
65-2483RK-06	Multi-sensor, direct connection for IR LEL (HC) / H2S / CO with j-box, UL version	1,700.00
65-2484RK-06	Multi-sensor, direct connection for LEL (catalytic) / O2 / H2S / SO2 with j-box (not explosion proof)	1,950.00
65-2484RK-34	Multi-sensor, direct connection for IR LEL (CH4) / H2S / CO / NH3 with j-box (not explosion proof)	2,450.00
65-2485RK-02	Multi-sensor, direct connection for H2S / O2 / CO with j-box, UL version	1,350.00
65-2490RK	Sensor housing/preamp,potted,w/wires, H2S CT-7 Non-XP	120.00
65-2491RK	Sensor housing/preamp,potted,w/wires, CO CT-7 Non-XP	120.00
65-2492RK	Sensor housing/preamp,potted,w/wires,Oxy Non-XP	70.00
65-2494RK	Sensor, Oxygen (O2) 0 - 25%, non explosion proof direct connect, capillary type, no j-box	320.00
65-2494RK-NS	Detector assembly,Oxy Non-XP replaceable sensor type,w/out sensor	190.00
65-2495RK	Sensor, Hydrogen Sulfide (H2S) 0 - 100 ppm, non explosion proof direct connect, no j-box	320.00
65-2495RK-NS	Detector assembly,0 - 100 ppm H2S, Non-XP,without sensor	160.00
65-2496RK	Sensor, Carbon Monoxide (CO) 0 - 300 ppm, non explosion proof direct connect, no j-box	320.00
65-2496RK-NS	Detector assembly,0 - 300 ppm CO, Non-XP replaceable sensor type, w/o sensor	160.00
65-2497RK	Sensor, Oxygen (O2) 0 - 25%, direct connect, capillary type, non explosion proof, with j-box	420.00
65-2498RK	Sensor, Hydrogen Sulfide (H2S) 0 - 100 ppm, direct connect, non explosion proof, with j-box	440.00
65-2499RK	Sensor, Carbon Monoxide (CO) 0 - 300 ppm, direct connect, non explosion proof, with j-box	440.00
65-2502RK	Sensor, Oxygen (O2) with j-box and I.S. barrier, partial pressure type, (no explosion proof approval)	350.00
65-2504RK	S-Series Oxygen (O2) sensor (partial pressure type) / transmitter / j-box (non explosion proof)	695.00
65-2504RKH	Detector/transmitter assembly, Oxy, cond mounting, IS, high humidity (partial pressure)	720.00
65-2506RK	Sensor, Oxygen (O2), conduit mounting, capillary, Cititech (old style)	250.00
65-2510-TFX	Detector assy,oxygen,conduit mtg,IS,w/OS-B11TFX solvent resistant sensor	480.00
65-2510RK	Sensor, Oxygen (O2) 0 -25%, non explosion proof direct connect, partial pressure type (no transmitter, no j-box)	250.00
65-2510RKH	Detector assembly, Oxygen (O2), conduit mounting, IS, with OS-B11H, (high humidity use)	270.00
65-2514RK	Sensor, Oxygen (O2), capillary type, explosion proof, (no transmitter, no j-box), CSA version	360.00
65-2514RK-NS	Detector assy,oxygen,XP,capillary type,conduit mtg,w/out sensor	240.00
65-2515RK	Sensor, Oxygen (O2), capillary type, explosion proof with conduit mounting and j-box (no transmitter), CSA version	495.00
65-2516RK	S-Series Oxygen (O2) sensor (capillary type) / transmitter, explosion proof with conduit mounting j-box, CSA version	725.00
65-2517RK	Detector hsg/temp comp PCB,potted,w/wires,XP capillary type oxy detector	150.00

Numerical Index

Part#	Description	Suggested Retail
65-2610RK-03	M2, LEL 0-100% sensor (catalytic) sensor / transmitter with j-box, (specify calibration), remote detector and calibration adapter	1,040.00
65-2610RK-04	M2, LEL 0-100% sensor (catalytic) sensor / transmitter with j-box, (specify calibration), remote detector and calibration adapter/splash guard	1,060.00
65-2610RK-11	M2 transmitter,LEL, w/o detector & cover, Specify Gas _____	650.00
65-2611RK-03	M2, Hydrogen (H2) specific 0-100% LEL (catalytic) sensor / transmitter with j-box, (specify calibration), remote detector and calibration adapter	1,110.00
65-2611RK-04	M2, Hydrogen (H2) specific 0-100% LEL (catalytic) sensor / transmitter with j-box, (specify calibration), remote detector and calibration adapter/splash guard	1,130.00
65-2640RK	M2A, LEL 0-100% sensor (catalytic) / transmitter with j-box, (specify calibration), UL version	925.00
65-2640RK-03	M2A, LEL 0-100% sensor (catalytic) / transmitter with j-box, (specify calibration), remote detector and calibration adapter, UL version	1,065.00
65-2640RK-04	M2A, LEL 0-100% sensor (catalytic) / transmitter with j-box, (specify calibration), remote detector and calibration adapter/splash guard, UL version	1,085.00
65-2640RK-05	M2A, LEL 0-100% sensor (catalytic) / transmitter with j-box, (specify calibration), cCSAus version	975.00
65-2640RK-05-04	M2A, LEL 0-100% sensor (catalytic) / transmitter with j-box, (specify calibration), remote detector and calibration adapter/splash guard, cCSAus version	1,160.00
65-2640RK-10	M2A internal components & hardware Eclipse conversion kit,LEL, Specify Gas _____	580.00
65-2641RK	M2A, Hydrogen (H2) specific LEL 0-100% sensor (catalytic) / transmitter with j-box, UL version	1,025.00
65-2641RK-03	M2A, Hydrogen (H2) specific LEL 0-100% sensor (catalytic) / transmitter with j-box, remote detector and calibration adapter, UL version	1,155.00
65-2641RK-04	M2A, Hydrogen (H2) specific LEL 0-100% sensor (catalytic) / transmitter with j-box, remote detector and calibration adapter/splash guard, UL version	1,175.00
65-2641RK-05	M2A, Hydrogen (H2) specific LEL 0-100% sensor (catalytic) / transmitter with j-box, CSA version	1,040.00
65-2641RK-12	M2A transmitter,hydrogen specific LEL, w/o detector	700.00
65-2643RK-05	M2A, Oxygen (O2) 0-25%, sensor / transmitter with j-box, cCSAus version	1,000.00
65-2643RK-05-04	M2A sensor/Xmtr/j-box,XP,0 - 25% Oxygen,CSA version,capillary type,w/remote det & cal adptr	1,170.00
65-2644RK	M2A, Oxygen (O2) 0-25%, sensor / transmitter with j-box, partial pressure sensor	900.00
65-2645RK-05	M2A, Hydrogen Sulfide (H2S) 0-100 ppm, sensor / transmitter with j-box, cCSAus version	1,050.00
65-2645RK-05-01	M2A, Hydrogen Sulfide (H2S) 0-100 ppm, sensor / transmitter with j-box, RF resistant, CSA version	995.00
65-2645RK-05-04	M2A, Hydrogen Sulfide (H2S) 0-100 ppm, sensor / transmitter with j-box, remote detector and calibration adapter/splash guard, cCSAus version	1,225.00
65-2646RK-05	M2A, Carbon Monoxide (CO) 0-300 ppm, sensor / transmitter with j-box, cCSAus version	1,050.00
65-2646RK-05-01	M2A, Carbon Monoxide (CO) 0-300 ppm, sensor / transmitter with j-box, RF resistant, CSA version ..	1,050.00
65-2646RK-05-02	M2A sensor/transmitter w/j-box,0 - 200 ppm CO,RF resistant,CSA version.....	1,050.00
65-2646RK-05-04	M2A sensor/xmitter w/j-box,0-300 ppm CO,CSA version,w/remote det & cal adptr/splash guard	1,225.00
65-2648RK-ASH3	M2A, Arsine (AsH3) 0-1.5 ppm, sensor / transmitter with j-box	1,100.00
65-2648RK-HCN	M2A, Hydrogen Cyanide (HCN) 0-15 ppm, sensor / transmitter with j-box.....	1,100.00
65-2648RK-NH3	M2A, Ammonia (NH3) 0-75 ppm, sensor / transmitter with j-box	1,100.00
65-2648RK-PH3	M2A, Phosphine (PH3) 0-1 ppm, sensor / transmitter with j-box.....	1,100.00
65-2648RK-SO2	M2A, Sulfur Dioxide (SO2) 0-6 ppm, sensor / transmitter with j-box	1,100.00
65-2649RK-CH4	M2A, IR Methane (CH4) LEL 0-100% sensor / transmitter, with j-box, cULus version	1,400.00
65-2649RK-CH4-4	M2A, IR Methane (CH4) LEL 0-100% sensor / transmitter with j-box, remote detector and calibration adapter/splash guard, cULus version	1,540.00
65-2649RK-HC	M2A, IR Hydrocarbons (isobutane) LEL 0-100% sensor / transmitter with j-box, cULus version	1,400.00
65-2649RK-HC-04	M2A, IR Hydrocarbons (isobutane) LEL 0-100% sensor / transmitter with j-box, remote detector and calibration adapter/splash guard, cULus version	1,540.00
65-2649SS-CH4-4	M2A sensor/xmitter w/j-box,IR LEL CH4,w/remote det in SS jbox,cal adapter/splash guard	1,500.00
65-2658RK-CH4	M2A, IR Methane (CH4) vol 0-100% sensor / transmitter, with j-box, cULus version	1,500.00
65-2658RK-CH4-4	M2A, IR Methane (CH4) vol 0-100% sensor / transmitter, with j-box, remote detector and calibration adapter/splash guard, cULus version	1,590.00
65-2660RK-02	M2A, IR Carbon Dioxide (CO2) 0-5,000 ppm, sensor / transmitter with j-box, cULus version.....	1,450.00
65-2660RK-03	M2A, IR Carbon Dioxide (CO2) 0-5%, sensor / transmitter with j-box, cULus version	1,450.00
65-2660RK-05	M2A, IR Carbon Dioxide (CO2) 0-50%, sensor / transmitter with j-box, cULus version	1,450.00
65-2660RK-10	M2A, IR Carbon Dioxide (CO2) 0-100%, sensor / transmitter with j-box, cULus version	1,450.00
65-2661RK-02	M2A, IR Carbon Dioxide (CO2) 0-5,000 ppm, sensor / transmitter, non explosion proof with j-box	1,350.00
65-2661RK-03	M2A, IR Carbon Dioxide (CO2) 0-5%, sensor / transmitter, non explosion proof with j-box	1,350.00
65-2661RK-05	M2A, IR Carbon Dioxide (CO2) 0-50%, sensor / transmitter, non explosion proof with j-box.....	1,350.00
65-2661RK-10	M2A, IR Carbon Dioxide (CO2) 0-100%, sensor / transmitter, non explosion proof with j-box	1,350.00
65-2662RK	M2A, Hydrogen Sulfide (H2S) 0-100 ppm, sensor / transmitter with j-box, non explosion proof	950.00
65-2663RK	M2A, Carbon Monoxide (CO) 0-300 ppm, sensor / transmitter with j-box, non explosion proof	950.00

Numerical Index

Part#	Description	Suggested Retail
65-2663RK-04	M2A sensor/xmitter w/j-box,0 - 300 ppm CO,non-XP,w/remote det/cal adapter/splash guard	1,100.00
65-2666RK	M2A, Oxygen (O2) 0 - 25% sensor (capillary type) / transmitter with j-box (non explosion proof)	925.00
65-7001RK	Dummy sensor for GX-2009, GX-2012, or GX-6000 empty sensor slots (LEL, O2, H2S, & CO)	5.00
65-7003	Dummy sensor for GX-6000 empty smart sensors slots	5.00
65-FC-004	Tape FC-004 for Hydrogen Bromide HBr, 0 - 0.5 ppm, FP-301	170.00
65-FC-006	Tape, HF, 0-6.0 ppm, Model FP-300	170.00
65-FC-010	Tape FC-010 for Ammonia NH3, FP-300	170.00
65-FC-023	Tape, HF/BF3, 0-3 ppm, Model FP-300A	170.00
65-FC-023A	Tape,C4F6/C5F8,0-5.00 ppm, Model FP-300AGZS	170.00
65-FC-303	Tape FC-303 for Chlorine Cl2, 0 - 0.5 ppm, FP-300	170.00
65-FCL-001	Tape FCL-001 for Arsine ASH3, FP-300/-301	170.00
65-FCL-002	Tape FCL-002 for Silane SiH4, FP-300.....	170.00
65-FCL-015	Tape FCL-015 for Chlorine Cl2, FP-300	170.00
65-FCL-018	Tape FCL-018 for formaldehyde, for FP-330	130.00
65-FCL-018	Tape FT-111 for formaldehyde	185.00
65-TAB-008	Detection tablets for FP-31/-30/-40, box of 20, (1 test each) Formaldehyde (use for -008,-009,-010)	85.00
71-0089RK	Operator's Manual, Model GX-2003	6.00
71-0129RK	Quick reference card,2-sided,standard Eagle	2.00
71-0129RK-SPN	Quick reference card,2-sided,standard Eagle,Spanish	2.00
71-0140RK	Quick reference card,GasWatch 2	2.00
71-0140RK-SPN	Quick reference card,GasWatch 2,Spanish	2.00
71-0141RK	Quick reference card,01 Series	2.00
71-0141RK-SPN	Quick reference card,01 Series,Spanish.....	2.00
71-0152RK	Quick Reference Guide,SC-01 Toxic Gas Monitor	2.00
71-0152RK-SPN	Quick Reference Guide,SC-01 Toxic Gas Monitor,Spanish	2.00
71-0160RK	Quick Reference Guide,GX-2009	2.00
71-0186RK	Quick Reference Guide, Eagle 2	2.00
71-0239RK	GX-2012 CSA Operator's Manual	0.00
71-0245RK	GX-2012 Data Logger Management Program Operator's Manual	0.00
71-0247RK	Operator's Manual,M2 / M2A AC power supply assembly	0.00
71-0385	Operator's Manual, SDM-6000 Standalone Configuration	0.00
71-0386	Operator's Manual, SDM-6000 PC Controlled Configuration	0.00
71-8000RK	Training CD, EAGLE, GX-2001, GX-2003, GasWatch 2, and -01 series	0.00
71-8002RK	Product CD, GX-2009, includes Product Training, Parts List, Data Logging Program, User Setup Program, Operators Manual, and Quick Reference Card	0.00
71-8003RK	Product CD, EAGLE 2, includes data downloading & maintenance software, operators manual,	0.00
71-8004-01	training video, and spare parts list	0.00
71-8004RK	Product CD, GX-2012 CSA version, includes data downloading software, operators manual, training video, spare parts list, and quick reference card	0.00
71-8005RK	Product CD, GX-2012, includes data downloading software, operators manual, training video, spare parts list, and quick reference card	0.00
71-8005RK	Product CD, Gas Tracer, includes data downloading software, operators manual, training video, spare parts list, and quick reference card	0.00
71-8007RK	Product CD, SDM-GX includes data viewing software, operators manual for SDM-GX2009 and SDM-GX2012	0.00
71-8008	Product CD, 03 Series, includes data downloading software, operators manual, spare parts list, and quick reference card	0.00
71-8010	Product CD, GX-6000, includes data logging software with manual, operators manual and spare parts list	0.00
71-8011	Product CD, SDM-6000, includes Single Module Data Viewer and PC Controller Programs	0.00
72-0001RK	Model GP-204, 0-100% LEL Methane (CH4), includes leather case, 3' hose, 10" probe, aspirator and 2 size D alkaline batteries (Not for use on ships)	795.00
72-0005RK	OX-94, O2	440.00
72-0009RK	OX-07 oxygen detector, 0 - 40% volume	995.00
72-0010	OX-03, 0-40 % O2 with alligator clip and alkaline batteries	280.00
72-0010-05	OX-03, 0-40 % O2 with alligator clip, alkaline batteries and calibration cup	310.00
72-0010-05LPL	OX-03,0-40% oxygen,w/alkaline batt/alligator clip,line purge configuration w/sample cup.....	320.00
72-0010-50	Kit including an OX-03 with alkaline batteries, screwdriver, and small padded case	325.00
72-0010-56	Kit including an OX-03 with alkaline batteries, screwdriver,case, and calibration kit (34L cyl 100% N2, regulator, cal cup & tubing)	565.00
72-0032RK	GP-82, 0-100% LEL	725.00
72-0037	GP-03, 0-100 % LEL with alligator clip and alkaline batteries	320.00

Numerical Index

Part#	Description	Suggested Retail
72-0037-05	GP-03, 0-100 % LEL with alligator clip, alkaline batteries and calibration cup	345.00
72-0037-50	Kit including a GP-03 with alkaline batteries, screwdriver, and small padded case	365.00
72-0037-56	Kit including a GP-03 with alkaline batteries, screwdriver, case, and calibration kit (34L cyl 50% LEL CH4/Air, regulator, cal cup & tubing).....	595.00
72-0038	GP-03, 0-100 % LEL with alligator clip and NiMH batteries only with no charger	345.00
72-0038-01	GP-03, 0-100 % LEL with alligator clip and NiMH batteries with 100-240 VAC / 12 VDC bench charger for 4 batteries	375.00
72-0038-05	GP-03, 0-100 % LEL with alligator clip and NiMH batteries with 100-240 VAC / 12 VDC bench charger for 4 batteries and calibration cup.....	405.00
72-0038-50	Kit including a GP-03 with NiMH batteries and 100-240 VAC / 12 VDC bench charger for 4 batteries, screwdriver, and small padded case	450.00
72-0038-56	Kit including a GP-03 with NiMH batteries and 100-240 VAC / 12 VDC bench charger for 4 batteries, screwdriver, case, and calibration kit (34L cyl 50% LEL CH4/Air, regulator, cal cup & tubing)	660.00
72-0064-05	SP-220 gas leak checker, type SC for super toxics	680.00
72-0064-06	SP-220 gas leak checker, type SC for fumigation gases	840.00
72-0064-07	SP-220 gas leak checker, type M for methane	840.00
72-0064-08	SP-220 gas leak checker, type L for LPG	840.00
72-0076-CH4	GP-1000 sample draw combustible detector for methane, 0 - 10% LEL / 100% LEL	995.00
72-0076-CH4-01	GP-1000 sample draw combustible detector for methane, 0 - 10% LEL / 100% LEL, with carrying case and screen protector	1,100.00
72-0076-CH4-51	GP-1000 sample draw combustible detector for methane, 0 - 10% LEL / 100% LEL, with carrying case, 34L 50% LEL CH4 in Air, demand flow regulator, tubing and screen protector	1,550.00
72-0076-HC	GP-1000 sample draw combustible detector for isobutane, 0 - 10% LEL / 100% LEL	995.00
72-0077-HC	NC-1000 sample draw combustible detector for isobutane, 0 - 1000 ppm / 10,000 ppm	1,950.00
72-0290-01-A	GX-2012, 1 sensor, LEL with alkaline battery pack	845.00
72-0290-01-A-50	CSK,GX-2012,1-sensor,LEL, with alkaline battery pack	945.00
72-0290-01-B	GX-2012,1-sensor,LEL, with alkaline & Li-ion battery packs/charger/AC adapter	1,105.00
72-0290-01-C	GX-2012,1-sensor,LEL, with Li-ion battery pack/charger/AC adapter	1,045.00
72-0290-01-D	GX-2012,1-sensor,LEL, with lithium battery pack/charger/12VDC adapter w/vehicle Plug	1,045.00
72-0290-01-E	GX-2012,1-sensor,LEL,with alkaline & Li-ion battery packs/charger/DC adapter w/vehicle plug	1,105.00
72-0290-01-F	GX-2012,1-sensor,LEL, with Li-ion battery pack/charger/AC and DC adapters	1,065.00
72-0290-01-G	GX-2012,1-sensor,LEL, with alkaline & Li-ion battery packs/charger/AC & DC adapters.....	1,125.00
72-0290-01-H	GX-2012,1-sensor,LEL, with Li-ion battery pack, no charger	995.00
72-0290-02-A	GX-2012, 1 sensor, O2 with alkaline battery pack.....	845.00
72-0290-02-B	GX-2012,1-sensor, O2, with alkaline & Li-ion battery packs/charger/AC adapter	1,105.00
72-0290-02-C	GX-2012,1-sensor, O2, with Li-ion battery pack/charger/AC adapter	1,045.00
72-0290-02-D	GX-2012,1-sensor, O2, with Li-ion battery pack/charger/12VDC adapter w/vehicle plug	1,045.00
72-0290-02-E	GX-2012,1-sensor,O2,w/alkaline & Li-ion battery packs/charger/DC adapter w/vehicle plug	1,105.00
72-0290-02-F	GX-2012,1-sensor,O2,with Li-ion battery pack/charger/AC and DC adapters	1,065.00
72-0290-02-G	GX-2012,1-sensor,O2,with alkaline & Li-ion battery packs/charger/AC & DC adapters	1,125.00
72-0290-02-H	GX-2012,1-sensor, O2, with Li-ion battery pack, no charger	995.00
72-0290-03-A	GX-2012, 1 sensor, H2S with alkaline battery pack	845.00
72-0290-03-B	GX-2012,1-sensor,H2S,with alkaline & Li-ion battery packs/charger/AC adapter	1,105.00
72-0290-03-C	GX-2012,1-sensor,H2S,with Li-ion battery pack/charger/AC adapter	1,045.00
72-0290-03-D	GX-2012,1-sensor,H2S,with Li-ion battery pack/charger/12VDC adapter w/vehicle plug	1,045.00
72-0290-03-E	GX-2012,1-sensor,H2S,w/alkaline & Li-ion battery packs/charger/DC adapter w/vehicle plug	1,105.00
72-0290-03-F	GX-2012,1-sensor,H2S,with Li-ion battery pack/charger/AC and DC adapters	1,065.00
72-0290-03-G	GX-2012,1-sensor,H2S,with alkaline & Li-ion battery packs/charger/AC & DC adapters.....	1,125.00
72-0290-03-H	GX-2012,1-sensor,H2S,with Li-ion battery pack, no charger	995.00
72-0290-04-A	GX-2012, 1 sensor, CO with alkaline battery pack.....	845.00
72-0290-04-B	GX-2012,1-sensor,CO,with alkaline & Li-ion battery packs/charger/AC adapter	1,105.00
72-0290-04-C	GX-2012,1-sensor,CO,with Li-ion battery pack/charger/AC adapter	1,045.00
72-0290-04-D	GX-2012,1-sensor,CO,with Li-ion battery pack/charger/12VDC adapter w/vehicle plug	1,045.00
72-0290-04-E	GX-2012,1-sensor,CO,w/alkaline & Li-ion battery packs/charger/DC adapter w/vehicle plug	1,105.00
72-0290-04-F	GX-2012,1-sensor,CO,w/Li-ion battery pack/charger/AC and DC adapters.....	1,065.00
72-0290-04-G	GX-2012,1-sensor,CO,with alkaline & Li-ion battery packs/charger/AC & DC adapters	1,125.00
72-0290-04-H	GX-2012,1-sensor,CO,with Li-ion battery pack, no charger	995.00
72-0290-08-A	GX-2012, 2 sensor, LEL / O2 with alkaline battery pack	895.00
72-0290-08-B	GX-2012,2-sensor,LEL/O2,with alkaline & Li-ion battery packs/charger/AC adapter	1,155.00
72-0290-08-C	GX-2012, 2-sensor, LEL/O2, with Li-ion battery pack/charger/AC adapter	1,095.00
72-0290-08-D	GX-2012, 2-sensor, LEL/O2, with Li-ion battery pack/charger/12VDC adapter/vehicle plug	1,095.00

Numerical Index

Part#	Description	Suggested Retail
72-0290-08-E	GX-2012, 2-sensor,LEL/O2,w/ alkaline & Li-ion battery packs/charger/DC adptr w/vehicle plug	1,155.00
72-0290-08-F	GX-2012, 2-sensor, LEL/O2, with Li-ion battery pack/charger/AC and DC adapters	1,115.00
72-0290-08-G	GX-2012, 2-sensor, LEL/O2, with alkaline & Li-ion battery packs/charger/AC & DC adapters.....	1,175.00
72-0290-08-H	GX-2012, 2-sensor, LEL/O2, with Li-ion battery pack, no charger	1,045.00
72-0290-09-A	GX-2012, 2 sensor, LEL / H2S with alkaline battery pack	895.00
72-0290-09-B	GX-2012, 2-sensor, LEL/H2S, with alkaline & Li-ion battery packs/charger/AC adapter	1,155.00
72-0290-09-C	GX-2012, 2-sensor, LEL/H2S, with Li-ion battery pack/charger/AC adapter	1,095.00
72-0290-09-D	GX-2012, 2-sensor, LEL/H2S, with Li-ion battery pack/charger/12VDC adapter/vehicle plug	1,095.00
72-0290-09-E	GX-2012, 2-sensor,LEL/H2S,w/alkaline & Li-ion battery packs/chgr/DC adapter w/vehicle plug	1,155.00
72-0290-09-F	GX-2012, 2-sensor, LEL/H2S, with Li-ion battery pack/charger/AC and DC adapters	1,115.00
72-0290-09-G	GX-2012, 2-sensor, LEL/H2S, with alkaline & Li-ion battery packs/charger/AC & DC adapters	1,175.00
72-0290-09-H	GX-2012, 2-sensor, LEL/H2S, with Li-ion battery pack, no charger	1,045.00
72-0290-10-A	GX-2012, 2 sensor, LEL / CO with alkaline battery pack	895.00
72-0290-10-B	GX-2012, 2-sensor, LEL/CO, with alkaline & Li-ion battery packs/charger/AC adapter	1,155.00
72-0290-10-C	GX-2012, 2-sensor, LEL/CO, with Li-ion battery pack/charger/AC adapter	1,095.00
72-0290-10-D	GX-2012, 2-sensor,LEL/CO,with Li-ion battery pack/charger/12VDC adapter/vehicle plug	1,095.00
72-0290-10-E	GX-2012, 2-sensor,LEL/CO,w/alkaline & Li-ion battery packs/charger/DC adapter w/vehicl plug	1,155.00
72-0290-10-F	GX-2012, 2-sensor, LEL/CO, with Li-ion battery pack/charger/AC and DC adapters	1,115.00
72-0290-10-G	GX-2012, 2-sensor, LEL/CO, with alkaline & Li-ion battery packs/charger/AC & DC adapters.....	1,175.00
72-0290-10-H	GX-2012, 2-sensor, LEL/CO, with Li-ion battery pack, no charger	1,045.00
72-0290-11-A	GX-2012, 2 sensor, LEL / % volume CH4 with alkaline battery pack.....	945.00
72-0290-11-B	GX-2012, 2-sensor,LEL/% volume CH4,with alkaline & Li-ion battery packs/charger/AC adapter	1,205.00
72-0290-11-C	GX-2012, 2-sensor, LEL/% volume CH4, with Li-ion battery pack/charger/AC adapter	1,145.00
72-0290-11-D	GX-2012, 2-sensor,LEL/% volume CH4,w/Li-ion battery pack/charger/12VDC adapter/vehicle plug ...	1,145.00
72-0290-11-E	GX-2012, 2-sensor,LEL/% volume CH4,w/alkaline & Li-ion battery packs/chgr/DC adapt/veh plug	1,205.00
72-0290-11-F	GX-2012, 2-sensor, LEL/% volume CH4, with Li-ion battery pack/charger/AC and DC adapters	1,165.00
72-0290-11-G	GX-2012, 2-sensor,LEL/% volume CH4,w/alkaline & Li-ion battery packs/chgr/AC & DC adapters	1,225.00
72-0290-11-H	GX-2012, 2-sensor,LEL/% volume CH4, with Li-ion battery pack, no charger.....	1,095.00
72-0290-12-A	GX-2012, 2 sensor, O2 / CO with alkaline battery pack.....	895.00
72-0290-12-B	GX-2012, 2-sensor, O2/CO, with alkaline & Li-ion battery packs/charger/AC adapter	1,155.00
72-0290-12-C	GX-2012, 2-sensor, O2/CO, with Li-ion battery pack/charger/AC adapter	1,095.00
72-0290-12-D	GX-2012, 2-sensor, O2/CO, with Li-ion battery pack/charger/12VDC adapter/vehicle plug	1,095.00
72-0290-12-E	GX-2012, 2-sensor, O2/CO, with alkaline & Li-ion battery packs/chgr/DC adapter w/veh plug	1,155.00
72-0290-12-F	GX-2012, 2-sensor, O2/CO, with Li-ion battery pack/charger/AC and DC adapters	1,115.00
72-0290-12-G	GX-2012, 2-sensor, O2/CO, with alkaline & Li-ion battery packs/charger/AC & DC adapters	1,175.00
72-0290-12-H	GX-2012, 2-sensor, O2/CO, with Li-ion battery pack, no charger	1,095.00
72-0290-14-A	GX-2012, 2-sensor, O2/H2S, with alkaline battery pack	895.00
72-0290-14-B	GX-2012, 2-sensor, O2/H2S, with alkaline & Li-ion battery packs/charger/AC adapter	1,155.00
72-0290-14-C	GX-2012, 2-sensor, O2/H2S, with Li-ion battery pack/charger/AC adapter	1,095.00
72-0290-14-D	GX-2012, 2-sensor, O2/H2S, with Li-ion battery pack/charger/12VDC adapter/vehicle plug.....	1,095.00
72-0290-14-E	GX-2012, 2-sensor, O2/H2S, with alkaline & Li-ion battery packs/chgr/DC adapter w/veh plug	1,155.00
72-0290-14-F	GX-2012, 2-sensor, O2/H2S, with Li-ion battery pack/charger/AC and DC adapters	1,115.00
72-0290-14-G	GX-2012, 2-sensor, O2/H2S, with alkaline & Li-ion battery packs/charger/AC & DC adapters	1,175.00
72-0290-14-H	GX-2012, 2-sensor, O2/H2S, with Li-ion battery pack, no charger	1,095.00
72-0290-16-A	GX-2012, 3 sensor, LEL / O2 / H2S with alkaline battery pack	945.00
72-0290-16-B	GX-2012, 3-sensor, LEL/O2/H2S, with alkaline & Li-ion battery packs/charger/AC adapter	1,205.00
72-0290-16-C	GX-2012, 3-sensor, LEL/O2/H2S, with Li-ion battery pack/charger/AC adapter	1,145.00
72-0290-16-D	GX-2012, 3-sensor, LEL/O2/H2S, with Li-ion battery pack/charger/12VDC adapter/vehicle plug	1,145.00
72-0290-16-E	GX-2012, 3-sensor,LEL/O2/H2S,w/alkaline & Li-ion battery packs/chgr/DC adptr w/veh plug	1,205.00
72-0290-16-F	GX-2012, 3-sensor, LEL/O2/H2S, with Li-ion battery pack/charger/AC and DC adapters	1,165.00
72-0290-16-G	GX-2012, 3-sensor, LEL/O2/H2S, with alkaline & Li-ion battery packs/charger/AC & DC adaptrs	1,225.00
72-0290-16-H	GX-2012, 3-sensor, LEL/O2/H2S, with Li-ion battery pack, no charger	1,095.00
72-0290-17-A	GX-2012, 3 sensor, LEL / O2 / CO with alkaline battery pack	945.00
72-0290-17-B	GX-2012, 3-sensor, LEL/O2/CO, with alkaline & Li-ion battery packs/charger/AC adapter	1,205.00
72-0290-17-C	GX-2012, 3-sensor, LEL/O2/CO, with Li-ion battery pack/charger/AC adapter	1,145.00
72-0290-17-D	GX-2012, 3-sensor, LEL/O2/CO, with Li-ion battery pack/charger/12VDC adapter/vehicle plug	1,145.00
72-0290-17-E	GX-2012, 3-sensor, LEL/O2/CO, with alkaline & Li-ion battery packs/chgr/DC adptrw/veh plug	1,205.00
72-0290-17-F	GX-2012, 3-sensor, LEL/O2/CO, with Li-ion battery pack/charger/AC and DC adapters	1,165.00
72-0290-17-G	GX-2012, 3-sensor, LEL/O2/CO, with alkaline & Li-ion battery packs/charger/AC & DC adapters	1,225.00
72-0290-17-H	GX-2012, 3-sensor, LEL/O2/CO, with Li-ion battery pack,no charger	1,095.00
72-0290-18-A	GX-2012, 3 sensor, LEL / % volume CH4 / O2 with alkaline battery pack.....	995.00

Numerical Index

Part#	Description	Suggested Retail
72-0290-18-B	GX-2012, 3-sensor,LEL/% volume CH4/O2,w/alkaline & Li-ion battery packs/charger/AC adapter	1,255.00
72-0290-18-C	GX-2012, 3-sensor, LEL/% volume CH4/O2, with Li-ion battery pack/charger/AC adapter	1,195.00
72-0290-18-D	GX-2012, 3-sensor,LEL/% volume CH4/O2,w/Li-ion battery pack/charger/12VDC adpt/vehicle plug ...	1,195.00
72-0290-18-E	GX-2012, 3-sensor,LEL/% vol CH4/O2,w/alkaline & Li-ion battery packs/chgr/DC adapt/veh plug	1,255.00
72-0290-18-F	GX-2012, 3-sensor, LEL/% volume CH4/O2, with Li-ion battery pack/charger/AC and DC adapters	1,215.00
72-0290-18-G	GX-2012, 3-sensor,LEL/% volume CH4/O2,w/alkaline & Li-ion batt packs/chgr/AC & DC adapters	1,275.00
72-0290-18-H	GX-2012, 3-sensor, LEL/% volume CH4/O2, with Li-ion battery pack, no charger	1,145.00
72-0290-19-A	GX-2012, 3 sensor, LEL / % volume CH4 / CO with alkaline battery pack	995.00
72-0290-19-B	GX-2012, 3-sensor,LEL/% volume CH4/CO,w/alkaline & Li-ion battery packs/charger/AC adapter	1,255.00
72-0290-19-C	GX-2012, 3-sensor, LEL/% volume CH4/CO, with Li-ion battery pack/charger/AC adapter	1,195.00
72-0290-19-D	GX-2012, 3-sensor,LEL/% volume CH4/CO,w/Li-ion battery pack/charger/12VDC adpt/vehicle plug ...	1,195.00
72-0290-19-E	GX-2012, 3-sensor,LEL/% vol CH4/CO,w/alkaline & Li-ion battery packs/chgr/DC adapt/veh plug	1,255.00
72-0290-19-F	GX-2012, 3-sensor, LEL/% volume CH4/CO, with Li-ion battery pack/charger/AC and DC adapters	1,215.00
72-0290-19-G	GX-2012, 3-sensor,LEL/% vol CH4/CO,w/alkaline & Li-ion battery packs/chg/AC & DC adapters	1,275.00
72-0290-19-H	GX-2012, 3-sensor, LEL/% volume CH4/CO, with Li-ion battery pack, no charger	1,145.00
72-0290-22-A	GX-2012, 4 sensor, LEL / O2 / H2S / CO with alkaline battery pack	995.00
72-0290-22-A-20	GX-2012,4-sensor,LEL/Oxy/CO/H2S,w/alkaline battery pack,w/20 foot hose	1,000.00
72-0290-22-A-50	GX-2012 bundle, 4 sensors, LEL / O2 / H2S / CO unit with alkaline battery pack, and padded case	1,105.00
72-0290-22-A-51	GX-2012 bundle, 4 sensors, LEL / O2 / H2S / CO unit with alkaline battery pack, 34AL cyl H2S/CO/O2/CH4, demand flow regulator, tubing and padded case	1,615.00
72-0290-22-B	GX-2012,4-sensor,LEL/Oxy/CO/H2S,w/alkaline & Li-ion battery packs/charger/AC adapter	1,255.00
72-0290-22-B-50	CSK,GX-2012,4-sensor,LEL/Oxy/CO/H2S,w/Alkaline & Li-ion battery packs/charger/AC adapter	1,355.00
72-0290-22-B-51	CSK,GX-2012,4-sensor,LEL/Oxy/CO/H2S,w/alk & Li-Ion batt packs/chgr/AC adptr/34 L cal kit	1,780.00
72-0290-22-C	GX-2012,4-sensor,LEL/Oxy/CO/H2S,with Li-ion battery pack/charger/AC adapter	1,195.00
72-0290-22-C-50	GX-2012 bundle, 4 sensors, LEL / O2 / H2S / CO unit with Li-Ion battery pack and 115 VAC charger, and padded case	1,305.00
72-0290-22-C-51	GX-2012 bundle, 4 sensors, LEL / O2 / H2S / CO unit with Li-Ion battery pack and 115 VAC charger, 34AL cyl H2S/CO/O2/CH4, demand flow regulator, tubing and padded case	1,815.00
72-0290-22-D	GX-2012,4-sensor,LEL/Oxy/CO/H2S,with Li-ion battery pack/charger/12VDC adapter/vehicle plug ...	1,195.00
72-0290-22-E	GX-2012,4-sensor,LEL/Oxy/CO/H2S,w/alkaline & Li-ion battery packs/chgr/DC adptr w/veh plug	1,255.00
72-0290-22-F	GX-2012,4-sensor,LEL/Oxy/CO/H2S,with Li-ion battery pack/charger/AC and DC adapters	1,215.00
72-0290-22-G	GX-2012,4-sensor,LEL/Oxy/CO/H2S,w/alkaline & Li-ion battery packs/charger/AC & DC adapters	1,275.00
72-0290-22-H	GX-2012,4-sensor,LEL/Oxy/CO/H2S,with Li-ion battery pack, no charger	1,145.00
72-0290-23-A	GX-2012, 4 sensor, LEL / % volume CH4 / O2 / CO with alkaline battery pack.....	1,045.00
72-0290-23-A-52	CSK, GX-2012, 4-sensor,LEL/%volume/Oxy/CO,w/alkaline battery pack/34 liter cal kit	2,080.00
72-0290-23-B	GX-2012, 4-sensor,LEL/% volume CH4/O2/CO,w/alkaline & Li-ion battery packs/chgr/AC adapter	1,305.00
72-0290-23-C	GX-2012, 4-sensor, LEL/% volume CH4/O2/CO, with Li-ion battery pack/charger/AC adapter	1,245.00
72-0290-23-D	GX-2012, 4-sensor,LEL/% volume CH4/O2/CO,w/Li-ion battery pack/charger/12VDC/vehicle plug	1,245.00
72-0290-23-E	GX-2012, 4-sensor,LEL/% volume CH4/O2/CO,w/alkaline & Li-ion battery packs/chgr/DC/veh plug ...	1,305.00
72-0290-23-F	GX-2012, 4-sensor, LEL/% volume CH4/O2/CO, with Li-ion battery pack/charger/AC & DC adapter	1,265.00
72-0290-23-G	GX-2012, 4-sensor,LEL/% volume CH4/O2/CO,w/alkaline & Li-ion batt packs/chgr/AC/DC adapters ...	1,325.00
72-0290-23-H	GX-2012, 4-sensor, LEL/% volume CH4/O2/CO, with Li-ion battery pack, no charger	1,195.00
72-0290-24-A	GX-2012, 4 sensor, LEL / % volume CH4 / O2 / H2S with alkaline battery pack	1,045.00
72-0290-24-B	GX-2012, 4-sensor,LEL/% volume CH4/O2/H2S,w/alkaline & Li-ion battery packs/chgr/AC adapter.....	1,305.00
72-0290-24-C	GX-2012, 4-sensor, LEL/% volume CH4/O2/H2S, with Li-ion battery pack/charger/AC adapter	1,245.00
72-0290-24-D	GX-2012, 4-sensor,LEL/% volume CH4/O2/H2S,w/Li-ion battery pack/charger/12VDC/vehicle plug ...	1,245.00
72-0290-24-E	GX-2012, 4-sensor,LEL/% volume CH4/O2/H2S,w/alkaline & Li-ion battery packs/chgr/DC adapter ...	1,305.00
72-0290-24-F	GX-2012, 4-sensor, LEL/% volume CH4/O2/H2S, with Li-ion battery pack/charger/AC & DC adptrs	1,265.00
72-0290-24-G	GX-2012, 4-sensor,LEL/% volume CH4/O2/H2S,w/alkaline & Li-ion batt packs/chgr/AC & DC adapt ...	1,325.00
72-0290-24-H	GX-2012, 4-sensor, LEL/% volume CH4/O2/H2S, with Li-ion battery pack, no charger	1,195.00
72-0290-27-A	GX-2012, 5 sensor, LEL / % volume CH4 / O2 / H2S / CO with alkaline battery pack	1,095.00
72-0290-27-A-51	GX-2012 bundle, 5 sensors, % volume CH4 / LEL / O2 / H2S / CO unit with alkaline battery pack, 34AL cyl H2S/CO/O2/CH4, 58L cyl 100% vol CH4, demand flow regulator, tubing and padded case ...	1,855.00
72-0290-27-B	GX-2012,5-sensor,LEL/%volume/Oxy/CO/H2S,w/alkaline & Li-ion battery packs/charger/AC adapt ...	1,355.00
72-0290-27-B-LB	GX-2012,5-sensor,LEL/%volume/Oxy/CO/H2S,w/alk & Li-ion batt packs/chgr/AC adapt,LB version.....	1,440.00
72-0290-27-C	GX-2012,5-sensor,LEL/%volume/Oxy/CO/H2S,with Li-ion battery pack/charger/AC adapter	1,295.00
72-0290-27-C-50	CSK,GX-2012,5-sensor,LEL/%vol/Oxy/CO/H2S,with Li-ion battery pack/charger/AC adapter	1,395.00
72-0290-27-C-51	GX-2012 bundle, 5 sensors, % volume CH4 / LEL / O2 / H2S / CO unit with Li-Ion battery pack and 115 VAC charger, 34AL cyl H2S/CO/O2/CH4, 58L cyl 100% vol CH4, demand flow regulator, tubing and padded case	2,055.00
72-0290-27-D	GX-2012,5-sensor,LEL/%volume/Oxy/CO/H2S,with Li-ion battery pack/charger/12VDC/vehc plug.....	1,295.00

Numerical Index

Part#	Description	Suggested Retail
72-0290-27-E	GX-2012,5-sensor,LEL/%vol/Oxy/CO/H2S,w/alkaline & Li-ion battery packs/chgr/DC adpt/veh plg.....	1,355.00
72-0290-27-F	GX-2012,5-sensor,LEL/%volume/Oxy/CO/H2S,with Li-ion battery pack/charger/AC & DC adapters.....	1,315.00
72-0290-27-G	GX-2012,5-sensor,LEL/%volume/Oxy/CO/H2S,w/alkaline & Li-ion battery packs/chgr/AC/DC adapts ...	1,375.00
72-0290-27-H	72-0290-27-H	1,245.00
72-0290-27-I	GX-2012,5-sensor,LEL/%volume/Oxy/CO/H2S,with NiMH batteries	1,105.00
72-0291-51-B	Gas Tracer,1-sensor,0-5,000PPM CH4 with alkaline & Li-ion battery packs/charger/AC adapter	1,305.00
72-0291-51-C	Gas Tracer,1-sensor, 0-5,000PPM CH4 with Li-ion battery pack/charger/AC adapter	1,245.00
72-0291-51-D	Gas Tracer,1-sensor,0-5,000PPM CH4 with Li-ion batt pack/chgr/12VDC adapter/vehicle plug.....	1,245.00
72-0291-51-E	Gas Tracer,1-sensor,0-5,000PPM CH4 w/alkaline & Li-ion batt packs/chgr/DC adptr w/veh plug	1,305.00
72-0291-51-F	Gas Tracer,1-sensor,0-5,000 PPM CH4 with Li-ion battery pack/charger/AC and DC adapters	1,265.00
72-0291-51-G	Gas Tracer,1-sensor,0-5,000 PPM CH4 with alkaline & Li-ion batt packs/chgr/AC & DC adpts	1,325.00
72-0291-51-H	Gas Tracer,1-sensor, 0-5,000 PPM CH4 with Li-ion battery pack, no charger	1,195.00
72-0291-54-A	Gas Tracer, 2 sensor, PPM CH4 / LEL with alkaline battery pack	1,095.00
72-0291-54-B	Gas Tracer,2-sensor, PPM CH4/LEL with alkaline & Li-ion battery packs/charger/AC adapter	1,355.00
72-0291-54-C	Gas Tracer,2-sensor, PPM CH4/LEL with Li-ion battery pack/charger/AC adapter	1,295.00
72-0291-54-D	Gas Tracer,2-sensor,PPM CH4/LEL w/Li-ion battery pack/charger/12VDC adapter w/vehicle plug	1,295.00
72-0291-54-E	Gas Tracer,2-sensor,PPM CH4/LEL w/alkaline & Li-ion battery packs/chgr/DC adptr w/veh plug	1,355.00
72-0291-54-F	Gas Tracer,2-sensor, PPM CH4/LEL with Li-ion battery pack/charger/AC and DC adapters	1,315.00
72-0291-54-G	Gas Tracer,2-sensor,PPM CH4/LEL w/alkaline & Li-ion battery packs/charger/AC & DC adapters	1,375.00
72-0291-54-H	Gas Tracer,2-sensor, PPM CH4/LEL with Li-ion battery pack, no charger	1,245.00
72-0291-55-A	Gas Tracer, 2 sensor, PPM CH4 / O2 with alkaline battery pack	1,095.00
72-0291-55-B	Gas Tracer,2-sensor, PPM CH4/O2 with alkaline & Li-ion battery packs/charger/AC adapter	1,355.00
72-0291-55-C	Gas Tracer,2-sensor, PPM CH4/O2 with Li-ion battery pack/charger/AC adapter	1,295.00
72-0291-55-D	Gas Tracer,2-sensor, PPM CH4/O2 with Li-ion battery pack/charger/12VDC adapter/vehicle plug	1,295.00
72-0291-55-E	Gas Tracer,2-sensor,PPM CH4/O2 w/alkaline & Li-ion battery packs/chgr/DC adapter w/veh plug	1,355.00
72-0291-55-F	Gas Tracer,2-sensor, PPM CH4/O2 with Li-ion battery pack/charger/AC and DC adapters	1,315.00
72-0291-55-G	Gas Tracer,2-sensor, PPM CH4/O2 with alkaline & Li-ion battery packs/charger/AC/DC adapters	1,375.00
72-0291-55-H	Gas Tracer,2-sensor, PPM CH4/O2 with Li-ion battery pack, no charger	1,245.00
72-0291-56-A	Gas Tracer, 2 sensor, PPM CH4 / CO with alkaline battery pack	1,095.00
72-0291-56-B	Gas Tracer,2-sensor, PPM CH4/CO with alkaline & Li-ion battery packs/charger/AC adapter	1,355.00
72-0291-56-C	Gas Tracer,2-sensor, PPM CH4/CO with Li-ion battery pack/charger/AC adapter	1,295.00
72-0291-56-D	Gas Tracer,2-sensor, PPM CH4/CO with Li-ion battery pack/charger/12VDC adptr/vehicle plug	1,295.00
72-0291-56-E	Gas Tracer,2-sensor,PPM CH4/CO w/alkaline & Li-ion battery packs/chgr/DC adapter w/veh plug	1,355.00
72-0291-56-F	Gas Tracer,2-sensor, PPM CH4/CO with Li-ion battery pack/charger/AC and DC adapters.....	1,315.00
72-0291-56-G	Gas Tracer,2-sensor, PPM CH4/CO with alkaline & Li-ion battery packs/charger/AC/DC adapters	1,375.00
72-0291-56-H	Gas Tracer,2-sensor, PPM CH4/CO with Li-ion battery pack, no charger	1,245.00
72-0291-56H-A	Gas Tracer, 2 sensor, PPM CH4 / CO (with H2S response, no charcoal filter) with alkaline battery pack	1,095.00
72-0291-56H-B	Gas Tracer,2-sensor,PPM CH4/CO(H2S) w/alka & Li-ion batt packs/chgr/AC adptr w/o char filtr	1,355.00
72-0291-56H-C	Gas Tracer,2-sensor,PPM CH4/CO(H2S) w/ Li-ion battery pack/chgr/AC adapter w/o char filter	1,295.00
72-0291-56H-D	Gas Tracer,2-sensor,PPM CH4/CO(H2S) w/Li-ion batt pk/chgr/12VDC adptr/veh plug w/o char fltr	1,295.00
72-0291-56H-E	Gas Tracer,2-sens,PPM CH4/CO(H2) w/alka & Li-ion batt packs/chgr/DC adp w/veh plg w/o char	1,355.00
72-0291-56H-F	Gas Tracer,2-sensor,PPM CH4/CO(H2S) w/Li-ion batt pack/chgr/AC and DC adapters w/o char flt	1,315.00
72-0291-56H-G	Gas Tracer,2-sens,PPM CH4/CO(H2S) w/alka & Li-ion bat packs/chgr/AC/DC adapters w/o char fl	1,375.00
72-0291-56H-H	Gas Tracer,2-sensor,PPM CH4/CO(H2S) w/ Li-ion battery pack, no charger w/o char filter	1,245.00
72-0291-59-A	Gas Tracer, 3 sensor, PPM CH4 / LEL / O2 with alkaline battery pack	1,145.00
72-0291-59-B	Gas Tracer,3-sensor, PPM CH4/LEL/O2 with alkaline & Li-ion battery packs/charger/AC adapter	1,405.00
72-0291-59-C	Gas Tracer,3-sensor, PPM CH4/LEL/O2 with Li-ion battery pack/charger/AC adapter.....	1,345.00
72-0291-59-D	Gas Tracer,3-sensor, PPM CH4/LEL/O2 with Li-ion battery pack/charger/12VDC adptr/veh plug	1,345.00
72-0291-59-E	Gas Tracer,3-sensor,PPM CH4/LEL/O2 w/alkaline & Li-ion battery packs/chg/DC adpt w/veh plug	1,405.00
72-0291-59-F	Gas Tracer,3-sensor, PPM CH4/LEL/O2 with Li-ion battery pack/charger/AC and DC adapters	1,365.00
72-0291-59-G	Gas Tracer,3-sensor,PPM CH4/LEL/O2 w/alkaline & Li-ion battery packs/chgr/AC & DC adapters	1,425.00
72-0291-59-H	Gas Tracer,3-sensor, PPM CH4/LEL/O2 with Li-ion battery pack, no charger	1,295.00
72-0291-60-A	Gas Tracer, 3 sensor, PPM CH4 / LEL / CO with alkaline battery pack	1,145.00
72-0291-60-B	Gas Tracer,3-sensor, PPM CH4/LEL/CO with alkaline & Li-ion battery packs/charger/AC adapter	1,405.00
72-0291-60-C	Gas Tracer,3-sensor, PPM CH4/LEL/CO with Li-ion battery pack/charger/AC adapter	1,345.00
72-0291-60-D	Gas Tracer,3-sensor, PPM CH4/LEL/CO with Li-ion battery pack/charger/12VDC adpt/vehic plug	1,345.00
72-0291-60-E	Gas Tracer,3-sensor,PPM CH4/LEL/CO w/alkaline & Li-ion battery packs/chg/DC adpt w/veh plug	1,405.00
72-0291-60-F	Gas Tracer,3-sensor, PPM CH4/LEL/CO with Li-ion battery pack/charger/AC and DC adapters	1,365.00
72-0291-60-G	Gas Tracer,3-sensor, PPM CH4/LEL/CO with alkaline & Li-ion batt packs/chgr/AC & DC adapters	1,425.00
72-0291-60-H	Gas Tracer,3-sensor, PPM CH4/LEL/CO with Li-ion battery pack, no charger	1,295.00

Numerical Index

Part#	Description	Suggested Retail
72-0291-60H-A	Gas Tracer, 3 sensor, PPM CH4 / LEL / CO (with H2S response, no charcoal filter), with alkaline battery pack	1,145.00
72-0291-60H-B	Gas Tracer,3-sensor, PPM CH4/LEL/CO(H2S) w/alka & Li-ion bat packs/chgr/AC adpt w/o char fl	1,405.00
72-0291-60H-C	Gas Tracer,3-sensor,PPM CH4/LEL/CO(H2S) w/Li-ion batt pack/chgr/AC adapter w/o char filter	1,345.00
72-0291-60H-D	Gas Tracer,3-sens,PPM CH4/LEL/CO(H2S) w/Li-ion bat pk/chgr/12VDC adpt/veh plug w/o char flt	1,345.00
72-0291-60H-E	GasTracer,3-sens,PPM CH4/LEL/CO(H2S) w/alka & Li-ion bat pks/chg/DC adpt w/veh plg w/o char	1,405.00
72-0291-60H-F	Gas Tracer,3-sensor,PPM CH4/LEL/CO(H2S) w/Li-ion batt pk/chgr/AC & DC adapters w/o char fil	1,365.00
72-0291-60H-G	Gas Tracer,3-sens,PPM CH4/LEL/CO(H2S) w/alka & Li-ion bat pks/chgr/AC & DC adptrs w/o char	1,425.00
72-0291-60H-H	Gas Tracer,3-sensor,PPM CH4/LEL/CO(H2S) w/Li-ion batt pack, no charger w/o char filter	1,295.00
72-0291-61-A	Gas Tracer, 3 sensor, PPM CH4 / LEL / % volume CH4 with alkaline battery pack	1,195.00
72-0291-61-B	Gas Tracer,3-sensor, PPM CH4/LEL/% volume CH4 with alkaline & Li-ion battery packs/chr/AC	1,455.00
72-0291-61-C	Gas Tracer,3-sensor, PPM CH4/LEL/% volume CH4 with Li-ion battery pack/charger/AC adapter	1,395.00
72-0291-61-D	Gas Tracer,3-sensor, PPM CH4/LEL/% volume CH4 with Li-ion battery pack/chgr/12VC ad/veh plg	1,395.00
72-0291-61-E	Gas Tracer,3-sensor, PPM CH4/LEL/% volume CH4 with alkaline & Li-ion battery packs/chr/DC	1,455.00
72-0291-61-F	Gas Tracer,3-sensor, PPM CH4/LEL/% volume CH4 with Li-ion battery pack/charger/AC/DC adptrs	1,415.00
72-0291-61-G	Gas Tracer,3-sensor, PPM CH4/LEL/% volume CH4 with alkaline & Li-ion batt packs/chr/AC & DC	1,475.00
72-0291-61-H	Gas Tracer,3-sensor, PPM CH4/LEL/% volume CH4 with Li-ion battery pack, no charger	1,345.00
72-0291-64-A	Gas Tracer, 4 sensor, PPM CH4 / LEL / O2 / CO with alkaline battery pack	1,195.00
72-0291-64-B	Gas Tracer,4-sensor, PPM CH4/LEL/O2/CO with alkaline & Li-ion battery packs/chgr/AC adaptr	1,455.00
72-0291-64-C	Gas Tracer,4-sensor, PPM CH4/LEL/O2/CO with Li-ion battery pack/charger/AC adapter	1,395.00
72-0291-64-D	Gas Tracer,4-sensor, PPM CH4/LEL/O2/CO with Li-ion batt pack/charger/12VDC adapter/veh plug	1,395.00
72-0291-64-E	Gas Tracer,4-sensor, PPM CH4/LEL/O2/CO with alkaline & Li-ion battery packs/chg/DC adp w/ve	1,455.00
72-0291-64-F	Gas Tracer,4-sensor, PPM CH4/LEL/O2/CO with Li-ion battery pack/charger/AC and DC adapters	1,415.00
72-0291-64-G	Gas Tracer,4-sensor, PPM CH4/LEL/O2/CO with alkaline & Li-ion batt packs/chgr/AC & DC adpts	1,475.00
72-0291-64-H	Gas Tracer,4-sensor, PPM CH4/LEL/O2/CO with Li-ion battery pack, no charger.....	1,345.00
72-0291-64H-A	Gas Tracer, 4 sensor, PPM CH4 / LEL / O2 / CO (with H2S response, no charcoal filter), with alkaline battery pack	1,195.00
72-0291-64H-B	Gas Tracer,4-sens,PPM CH4/LEL/O2/CO(H2S) w/alka & Li-ion bat packs/chgr/AC adaptr w/o char	1,455.00
72-0291-64H-C	GasTracer,4-sensor,PPM CH4/LEL/O2/CO(H2S) w/Li-ion batt pack/chgr/AC adpt w/o char filter	1,395.00
72-0291-64H-C	GasTracer,4-sensor,PPM CH4/LEL/O2/CO(H2S) w/Li-ion batt pack/chgr/AC adpt w/o char filter	1,395.00
72-0291-64H-D	GasTracer,4-sens,PPM CH4/LEL/O2/CO(H2S) w/Li-ion bat pk/chg/12VDC adt/veh plug w/o char fil	1,395.00
72-0291-64H-E	GasTracer,4-sens,PPM CH4/LEL/O2/CO(H2S) w/alka& Li-ion bat pks/chg/DC adp w/veh w/o char fl ...	1,455.00
72-0291-64H-F	GasTracer,4-sens,PPM CH4/LEL/O2/CO(H2S) w/Li-ion bat pk/chgr/AC & DC adptrs w/o char filtr	1,415.00
72-0291-64H-G	GasTracer,4-sens,PPM CH4/LEL/O2/CO(H2S) w/alka & Li-ion bat pks/chg/AC & DC adpts w/o char	1,475.00
72-0291-64H-H	GasTracer,4-sensor,PPM CH4/LEL/O2/CO(H2S) w/Li-ion batt pack, no charger w/o char filter	1,345.00
72-0291-65-A	Gas Tracer, 4 sensor, PPM CH4 / LEL / % volume CH4 / O2 with alkaline battery pack	1,245.00
72-0291-65-B	Gas Tracer,4-sensor, PPM CH4/LEL/% volume CH4/O2 with alkaline & Li-ion batt packs/chgr/AC.....	1,505.00
72-0291-65-C	Gas Tracer,4-sensor, PPM CH4/LEL/% volume CH4/O2 with Li-ion batt pack/charger/AC adapter	1,445.00
72-0291-65-D	Gas Tracer,4-sensor, PPM CH4/LEL/% volume CH4/O2 with Li-ion batt pack/chgr/12VDC adt/veh p ...	1,445.00
72-0291-65-E	Gas Tracer,4-sensor, PPM CH4/LEL/% volume CH4/O2 with alkaline & Li-ion batt packs/chgr/DC	1,505.00
72-0291-65-F	Gas Tracer,4-sensor, PPM CH4/LEL/% volume CH4/O2 with Li-ion batt pack/charger/AC/DC adptrs ...	1,465.00
72-0291-65-G	Gas Tracer,4-sensor, PPM CH4/LEL/% volume CH4/O2 w/ alkaline & Li-ion batt packs/chg/AC/DC	1,525.00
72-0291-65-H	Gas Tracer,4-sensor, PPM CH4/LEL/% volume CH4/O2 with Li-ion batt pack, no charger	1,395.00
72-0291-66-A	Gas Tracer, 4 sensor, PPM CH4 / LEL / % volume CH4 / CO with alkaline battery pack	1,245.00
72-0291-66-B	Gas Tracer,4-sensor, PPM CH4/LEL/% volume CH4/CO with alkaline & Li-ion bat packs/chgr/AC	1,505.00
72-0291-66-C	Gas Tracer,4-sensor, PPM CH4/LEL/% volume CH4/CO with Li-ion batt pack/charger/AC adapter	1,445.00
72-0291-66-D	Gas Tracer,4-sensor, PPM CH4/LEL/% volume CH4/CO with Li-ion batt pack/chgr/12VDC ad/veh pl ...	1,445.00
72-0291-66-E	Gas Tracer,4-sensor, PPM CH4/LEL/% volume CH4/CO with alkaline & Li-ion bat packs/chgr/DC	1,505.00
72-0291-66-F	Gas Tracer,4-sensor, PPM CH4/LEL/% volume CH4/CO with Li-ion batt pack/charger/AC/DC adptrs ...	1,465.00
72-0291-66-G	Gas Tracer,4-sensor, PPM CH4/LEL/% volume CH4/CO w/alkaline & Li-ion bat packs/chgr/AC & DC.....	1,525.00
72-0291-66-H	Gas Tracer,4-sensor, PPM CH4/LEL/% volume CH4/CO with Li-ion batt pack, no charger	1,395.00
72-0291-66H-A	Gas Tracer,4-sensor, PPM CH4/LEL/% vol CH4/CO(H2S) w/ alkaline battery pack w/o char filter	1,245.00
72-0291-66H-B	Gas Tracer,4-sens,PPM CH4/LEL/% vol CH4/CO(H2S) w/alka & Li-ion bat pks/chgr/AC w/o char	1,505.00
72-0291-66H-C	GasTracer,4-sensor,PPM CH4/LEL/% vol CH4/CO(H2S) w/Li-ion bat pk/chgr/AC adpt w/o char filr	1,445.00
72-0291-66H-D	GasTracer,4-sens,PPM CH4/LEL/% vol CH4/CO(H2S) w/Li-ion bat pk/chg/12VDC ad/veh plg w/o chr ...	1,445.00
72-0291-66H-E	Gas Tracer,4-sens,PPM CH4/LEL/% vol CH4/CO(H2S) w/alka & Li-ion bat pks/chg/DC w/o char fil	1,505.00
72-0291-66H-F	Gas Tracer,4-sens,PPM CH4/LEL/% vol CH4/CO(H2S) w/Li-ion bat pk/chg/AC/DC adpts w/o char fl	1,465.00
72-0291-66H-G	GasTracer,4-sens,PPM CH4/LEL/% vol CH4/CO(H2S) w/alka & Li-ion bat pks/chg/AC&DC w/o char	1,525.00
72-0291-66H-G	GasTracer,4-sens,PPM CH4/LEL/% vol CH4/CO(H2S) w/alka & Li-ion bat pks/chg/AC&DC w/o char	1,525.00
72-0291-66H-H	GasTracer,4-sensor,PPM CH4/LEL/% vol CH4/CO(H2S) w/Li-ion bat pk, no charger w/o char filr	1,395.00
72-0291-69-A	Gas Tracer, 5 sensor, PPM CH4 / LEL / % volume CH4 / O2 / CO with alkaline battery pack	1,295.00

Numerical Index

Part#	Description	Suggested Retail
72-0291-69-B	Gas Tracer,5-sensor, PPM CH4/LEL/% vol CH4/O2/CO with alkaline & Li-ion bat packs/chgr/AC	1,555.00
72-0291-69-C	Gas Tracer,5-sensor, PPM CH4/LEL/% vol CH4/O2/CO with Li-ion batt pack/charger/AC adapter	1,495.00
72-0291-69-D	Gas Tracer,5-sensor, PPM CH4/LEL/% vol CH4/O2/CO with Li-ion batt pack/chgr/12VDC ad/veh pl	1,495.00
72-0291-69-E	Gas Tracer,5-sensor, PPM CH4/LEL/% vol CH4/O2/CO with alkaline & Li-ion bat packs/chgr/DC	1,555.00
72-0291-69-F	Gas Tracer,5-sensor, PPM CH4/LEL/% vol CH4/O2/CO with Li-ion batt pack/charger/AC/DC adptrs	1,515.00
72-0291-69-G	Gas Tracer,5-sensor, PPM CH4/LEL/% vol CH4/O2/CO w/alkaline & Li-ion bat packs/chgr/AC & DC	1,575.00
72-0291-69-H	Gas Tracer,5-sensor, PPM CH4/LEL/% vol CH4/O2/CO with Li-ion batt pack, no charger	1,445.00
72-0291-69H-A	Gas Tracer, 5 sensor, PPM CH4 / LEL / % volume CH4 / O2 / CO (with H2S response, no charcoal filter), with alkaline battery pack	1,295.00
72-0291-69H-B	Gas Tracer,5-sens,PPM CH4/LEL/% vol CH4/O2/CO(H2S) w/alka & Li-ion bat packs/chg/AC w/o chr ...	1,555.00
72-0291-69H-C	GasTracer,5-sensor,PPM CH4/LEL/% vol CH4/O2/CO(H2S) w/Li-ion bat pk/chg/AC adpt w/o chr flt	1,495.00
72-0291-69H-C	GasTracer,5-sensor,PPM CH4/LEL/% vol CH4/O2/CO(H2S) w/Li-ion bat pk/chg/AC adpt w/o chr flt	1,495.00
72-0291-69H-D	GasTracer,5-sens,PPM CH4/LEL/% vol CH4/O2/CO(H2S) w/Li-ion bat pk/chg/12VDC/veh pl w/o char ...	1,495.00
72-0291-69H-E	GasTracer,5-sens,PPM CH4/LEL/%vol CH4/O2/CO(H2S) w/alka & Li-ion bat pks/chg/DC w/o char fl ...	1,555.00
72-0291-69H-F	Gas Tracer,5-sens,PPM CH4/LEL/%vol CH4/O2/CO(H2S) w/Li-ion bat pk/chg/AC/DC adptrs w/o char ...	1,515.00
72-0291-69H-G	GasTracer,5-sens,PPM CH4/LEL/%vol CH4/O2/CO(H2S) w/alka & Li-ion bat pks/chg/AC&DC w/o char ...	1,575.00
72-0291-69H-H	GasTracer,5-sensor,PPM CH4/LEL/% vol CH4/O2/CO(H2S) w/Li-ion bat pk, no chargr w/o chr flt	1,445.00
72-0292-01-A	GX-2012,1-sensor,LEL, with alkaline battery pack,CSA type	845.00
72-0292-01-B	GX-2012,1-sensor,LEL, with alkaline & Li-ion battery packs/charger/AC adapter,CSA type	945.00
72-0292-01-C	GX-2012,1-sensor,LEL, with Li-ion battery pack/charger/AC adapter,CSA type	1,045.00
72-0292-01-D	GX-2012,1-sensor,LEL, with lithium batt pack/charger/12VDC adapter w/vehicle Plug,CSA type	1,045.00
72-0292-01-E	GX-2012,1-sensor,LEL,w/alkaline & Li-ion bat packs/chgr/DC adapter w/vehicle plug,CSA type	1,105.00
72-0292-01-F	GX-2012,1-sensor,LEL, with Li-ion battery pack/charger/AC and DC adapters,CSA type	1,065.00
72-0292-01-G	GX-2012,1-sensor,LEL, with alkaline & Li-ion batt packs/charger/AC & DC adapters,CSA type	1,125.00
72-0292-01-H	GX-2012,1-sensor,LEL, with Li-ion battery pack, no charger,CSA type	995.00
72-0292-02-A	GX-2012,1-sensor, O2, with alkaline battery pack,CSA type.....	845.00
72-0292-02-B	GX-2012,1-sensor, O2, with alkaline & Li-ion battery packs/charger/AC adapter,CSA type	1,105.00
72-0292-02-C	GX-2012,1-sensor, O2, with Li-ion battery pack/charger/AC adapter,CSA type	1,045.00
72-0292-02-D	GX-2012,1-sensor, O2, with Li-ion battery pack/charger/12VDC adapter w/vehicle plug,CSA type	1,045.00
72-0292-02-E	GX-2012,1-sensor,O2,w/alkaline & Li-ion battery packs/charger/DC adapter w/vehicle plug,CSA type	1,105.00
72-0292-02-F	GX-2012,1-sensor,O2,with Li-ion battery pack/charger/AC and DC adapters,CSA type	1,065.00
72-0292-02-G	GX-2012,1-sensor,O2,with alkaline & Li-ion battery packs/charger/AC & DC adapters,CSA type	1,125.00
72-0292-02-H	GX-2012,1-sensor, O2, with Li-ion battery pack, no charger,CSA type.....	995.00
72-0292-03-A	GX-2012,1-sensor,H2S,with alkaline battery pack,CSA type	845.00
72-0292-03-B	GX-2012,1-sensor,H2S,with alkaline & Li-ion battery packs/charger/AC adapter,CSA type	1,105.00
72-0292-03-C	GX-2012,1-sensor,H2S,with Li-ion battery pack/charger/AC adapter,CSA type	1,045.00
72-0292-03-D	GX-2012,1-sensor,H2S,with Li-ion battery pack/charger/12VDC adapter w/vehicle plug,CSA type	1,045.00
72-0292-03-E	GX-2012,1-sensor,H2S,w/alkaline & Li-ion battery packs/charger/DC adapter w/vehicle plug,CSA type	1,105.00
72-0292-03-F	GX-2012,1-sensor,H2S,with Li-ion battery pack/charger/AC and DC adapters,CSA type	1,065.00
72-0292-03-G	GX-2012,1-sensor,H2S,with alkaline & Li-ion battery packs/charger/AC & DC adapters,CSA type.....	1,125.00
72-0292-03-H	GX-2012,1-sensor,H2S,with Li-ion battery pack, no charger,CSA type	995.00
72-0292-04-A	GX-2012,1-sensor,CO,with alkaline battery pack,CSA type	845.00
72-0292-04-B	GX-2012,1-sensor,CO,with alkaline & Li-ion battery packs/charger/AC adapter,CSA type	1,105.00
72-0292-04-C	GX-2012,1-sensor,CO,with Li-ion battery pack/charger/AC adapter,CSA type	1,045.00
72-0292-04-D	GX-2012,1-sensor,CO,with Li-ion battery pack/charger/12VDC adapter w/vehicle plug,CSA type	1,045.00
72-0292-04-E	GX-2012,1-sensor,CO,w/alkaline & Li-ion battery packs/charger/DC adapter w/vehicle plug,CSA type	1,105.00
72-0292-04-F	GX-2012,1-sensor,CO,w/Li-ion battery pack/charger/AC and DC adapters,CSA type	1,065.00
72-0292-04-G	GX-2012,1-sensor,CO,with alkaline & Li-ion battery packs/charger/AC & DC adapters,CSA type	1,125.00
72-0292-04-H	GX-2012,1-sensor,CO,with Li-ion battery pack, no charger,CSA type	995.00
72-0292-08-A	GX-2012,2-sensor,LEL/O2,with alkaline battery pack,CSA type	895.00
72-0292-08-B	GX-2012,2-sensor,LEL/O2,with alkaline & Li-ion battery packs/charger/AC adapter,CSA type	1,155.00
72-0292-08-C	GX-2012, 2-sensor, LEL/O2, with Li-ion battery pack/charger/AC adapter,CSA type	1,095.00
72-0292-08-D	GX-2012, 2-sensor, LEL/O2, with Li-ion battery pack/charger/12VDC adapter/vehicle plug,CSA type ...	1,095.00
72-0292-08-E	GX-2012, 2-sensor,LEL/O2,w/ alkaline & Li-ion battery packs/charger/DC adptr w/vehicle plug,CSA type	1,155.00
72-0292-08-F	GX-2012, 2-sensor, LEL/O2, with Li-ion battery pack/charger/AC and DC adapters,CSA type	1,115.00
72-0292-08-G	GX-2012, 2-sensor, LEL/O2, with alkaline & Li-ion battery packs/charger/AC & DC adapters,CSA type ...	1,175.00
72-0292-08-H	GX-2012, 2-sensor, LEL/O2, with Li-ion battery pack, no charger,CSA type.....	1,045.00
72-0292-09-A	GX-2012, 2-sensor, LEL/H2S, with alkaline battery pack,CSA type	895.00
72-0292-09-B	GX-2012, 2-sensor, LEL/H2S, with alkaline & Li-ion battery packs/charger/AC adapter,CSA type	1,155.00
72-0292-09-C	GX-2012, 2-sensor, LEL/H2S, with Li-ion battery pack/charger/AC adapter,CSA type	1,095.00

Numerical Index

Part#	Description	Suggested Retail
72-0292-09-D	GX-2012, 2-sensor, LEL/H2S, with Li-ion battery pack/charger/12VDC adapter/vehicle plug,CSA type	1,095.00
72-0292-09-E	GX-2012, 2-sensor,LEL/H2S,w/alkaline & Li-ion battery packs/chgr/DC adapter w/vehicle plug,CSA type	1,155.00
72-0292-09-F	GX-2012, 2-sensor, LEL/H2S, with Li-ion battery pack/charger/AC and DC adapters,CSA type	1,115.00
72-0292-09-G	GX-2012, 2-sensor, LEL/H2S, with alkaline & Li-ion battery packs/charger/AC & DC adapters,CSA type	1,175.00
72-0292-09-H	GX-2012, 2-sensor, LEL/H2S, with Li-ion battery pack, no charger,CSA type	1,045.00
72-0292-10-A	GX-2012, 2-sensor, LEL/CO, with alkaline battery pack,CSA type	895.00
72-0292-10-B	GX-2012, 2-sensor, LEL/CO, with alkaline & Li-ion battery packs/charger/AC adapter,CSA type	1,155.00
72-0292-10-C	GX-2012, 2-sensor, LEL/CO, with Li-ion battery pack/charger/AC adapter,CSA type	1,095.00
72-0292-10-D	GX-2012, 2-sensor, LEL/CO, with Li-ion battery pack/charger/12VDC adapter/vehicle plug,CSA type	1,095.00
72-0292-10-E	GX-2012, 2-sensor,LEL/CO,w/alkaline & Li-ion battery packs/charger/DC adapter w/vehicl plug,CSA type	1,155.00
72-0292-10-F	GX-2012, 2-sensor, LEL/CO, with Li-ion battery pack/charger/AC and DC adapters,CSA type	1,115.00
72-0292-10-G	GX-2012, 2-sensor, LEL/CO, with alkaline & Li-ion battery packs/charger/AC & DC adapters,CSA type	1,175.00
72-0292-10-H	GX-2012, 2-sensor, LEL/CO, with Li-ion battery pack, no charger,CSA type	1,045.00
72-0292-11-A	GX-2012, 2-sensor, LEL/% volume CH4, with alkaline battery pack,CSA type	945.00
72-0292-11-B	GX-2012, 2-sensor,LEL/% volume CH4,with alkaline & Li-ion battery packs/charger/AC adapter,CSA type	1,205.00
72-0292-11-C	GX-2012, 2-sensor,LEL/% volume CH4, with Li-ion battery pack/charger/AC adapter,CSA type	1,145.00
72-0292-11-D	GX-2012, 2-sensor,LEL/% volume CH4,w/Li-ion battery pack/charger/12VDC adapter/vehicle plug, CSA type	1,145.00
72-0292-11-E	GX-2012, 2-sensor,LEL/% volume CH4,w/alkaline & Li-ion battery packs/chgr/DC adapt/veh plug, CSA type	1,205.00
72-0292-11-F	GX-2012, 2-sensor, LEL/% volume CH4, with Li-ion battery pack/charger/AC and DC adapters,CSA type	1,165.00
72-0292-11-G	GX-2012, 2-sensor,LEL/% volume CH4,w/alkaline & Li-ion battery packs/chgr/AC & DC adapters, CSA type	1,225.00
72-0292-11-H	GX-2012, 2-sensor, LEL/% volume CH4, with Li-ion battery pack, no charger,CSA type	1,095.00
72-0292-11-I	GX-2012, 2-sensor, LEL/% volume CH4, with NiMH batteries,CSA type	955.00
72-0292-12-B	GX-2012, 2-sensor, O2/CO, with alkaline & Li-ion battery packs/charger/AC adapter,CSA type	1,155.00
72-0292-12-C	GX-2012, 2-sensor, O2/CO, with Li-ion battery pack/charger/AC adapter,CSA type	1,095.00
72-0292-12-D	GX-2012, 2-sensor, O2/CO, with Li-ion battery pack/charger/12VDC adapter/vehicle plug,CSA type	1,095.00
72-0292-12-E	GX-2012, 2-sensor, O2/CO, with alkaline & Li-ion battery packs/chgr/DC adapter w/veh plug,CSA type	1,155.00
72-0292-12-F	GX-2012, 2-sensor, O2/CO, with Li-ion battery pack/charger/AC and DC adapters,CSA type	1,115.00
72-0292-12-G	GX-2012, 2-sensor, O2/CO, w/alkaline & Li-ion batt packs/charger/AC & DC adapters,CSA type	1,175.00
72-0292-12-H	GX-2012, 2-sensor, O2/CO, with Li-ion battery pack, no charger,CSA type	1,095.00
72-0292-14-A	GX-2012, 2-sensor, O2/H2S, with alkaline battery pack,CSA type	895.00
72-0292-14-B	GX-2012, 2-sensor, O2/H2S, with alkaline & Li-ion battery packs/charger/AC adapter,CSA type	1,155.00
72-0292-14-C	GX-2012, 2-sensor, O2/H2S, with Li-ion battery pack/charger/AC adapter,CSA type	1,095.00
72-0292-14-D	GX-2012, 2-sensor, O2/H2S, with Li-ion battery pack/charger/12VDC adapter/vehicle plug,CSA type	1,095.00
72-0292-14-E	GX-2012, 2-sens, O2/H2S, w/alkaline & Li-ion batt packs/chgr/DC adapter w/veh plug,CSA type	1,155.00
72-0292-14-F	GX-2012, 2-sensor, O2/H2S, with Li-ion battery pack/charger/AC and DC adapters,CSA type	1,115.00
72-0292-14-G	GX-2012, 2-sensor, O2/H2S, w/alkaline & Li-ion batt packs/charger/AC & DC adapters,CSA type	1,175.00
72-0292-14-H	GX-2012, 2-sensor, O2/H2S, with Li-ion battery pack, no charger,CSA type	1,095.00
72-0292-16-A	GX-2012, 3-sensor, LEL/O2/H2S, with alkaline battery pack,CSA type	945.00
72-0292-16-B	GX-2012, 3-sensor, LEL/O2/H2S, w/alkaline & Li-ion batt packs/charger/AC adapter,CSA type	1,205.00
72-0292-16-C	GX-2012, 3-sensor, LEL/O2/H2S, with Li-ion battery pack/charger/AC adapter,CSA type	1,145.00
72-0292-16-D	GX-2012, 3-sensor, LEL/O2/H2S, with Li-ion battery pack/charger/12VDC adapter/vehicle plug,CSA type	1,145.00
72-0292-16-E	GX-2012, 3-sensor,LEL/O2/H2S,w/alka & Li-ion batt packs/chargr/DC adpter w/veh plug,CSA type	1,205.00
72-0292-16-F	GX-2012, 3-sensor, LEL/O2/H2S, with Li-ion battery pack/charger/AC and DC adapters,CSA type	1,165.00
72-0292-16-G	GX-2012, 3-sensor, LEL/O2/H2S, w/alkaline & Li-ion batt packs/chgr/AC & DC adaptrs,CSA type	1,225.00
72-0292-16-H	GX-2012, 3-sensor, LEL/O2/H2S, with Li-ion battery pack, no charger,CSA type	1,095.00
72-0292-17-A	GX-2012, 3-sensor, LEL/O2/CO, with alkaline battery pack,CSA type	945.00
72-0292-17-B	GX-2012, 3-sensor, LEL/O2/CO, with alkaline & Li-ion batt packs/charger/AC adapter,CSA type	1,205.00
72-0292-17-C	GX-2012, 3-sensor, LEL/O2/CO, with Li-ion battery pack/charger/AC adapter,CSA type	1,145.00
72-0292-17-D	GX-2012, 3-sensor, LEL/O2/CO, with Li-ion battery pack/charger/12VDC adapter/vehicle plug,CSA type	1,145.00
72-0292-17-E	GX-2012, 3-sens, LEL/O2/CO, w/alkaline & Li-ion batt packs/chgr/DC adptrw/veh plug,CSA type	1,205.00
72-0292-17-F	GX-2012, 3-sensor, LEL/O2/CO, with Li-ion battery pack/charger/AC and DC adapters,CSA type	1,165.00
72-0292-17-G	GX-2012, 3-sensor, LEL/O2/CO, w/alkaline & Li-ion batt packs/chgr/AC & DC adptrs,CSA type	1,225.00
72-0292-17-H	GX-2012, 3-sensor, LEL/O2/CO, with Li-ion battery pack,no charger,CSA type	1,095.00
72-0292-18-A	GX-2012, 3-sensor, LEL/% volume CH4/O2, with alkaline battery pack,CSA type	995.00
72-0292-18-B	GX-2012, 3-sensor,LEL/% volume CH4/O2,w/alkaline & Li-ion battery packs/charger/AC adapter, CSA type	1,255.00
72-0292-18-C	GX-2012, 3-sensor, LEL/% volume CH4/O2, with Li-ion battery pack/charger/AC adapter,CSA type	1,195.00

Numerical Index

Part#	Description	Suggested Retail
72-0292-18-D	GX-2012, 3-sensor,LEL/% volume CH4/O2,w/Li-ion battery pack/charger/12VDC adpt/vehicle plug, CSA type	1,195.00
72-0292-18-E	GX-2012, 3-sensor,LEL/% vol CH4/O2,w/alka & Li-ion batt packs/chgr/DC adapt/veh plug,CSA type ...	1,255.00
72-0292-18-F	GX-2012, 3-sensor, LEL/% volume CH4/O2, with Li-ion battery pack/charger/AC and DC adapters, CSA type	1,215.00
72-0292-18-G	GX-2012, 3-sensor,LEL/% vol CH4/O2,w/alka & Li-ion batt packs/chgr/AC & DC adapters,CSA type	1,275.00
72-0292-18-H	GX-2012, 3-sensor, LEL/% volume CH4/O2, with Li-ion battery pack, no charger,CSA type	1,145.00
72-0292-19-A	GX-2012, 3-sensor, LEL/% volume CH4/CO, with alkaline battery pack,CSA type	995.00
72-0292-19-B	GX-2012, 3-sensor,LEL/% vol CH4/CO,w/alkaline & Li-ion batt packs/chgr/AC adapter,CSA type	1,255.00
72-0292-19-C	GX-2012, 3-sensor, LEL/% volume CH4/CO, with Li-ion battery pack/charger/AC adapter,CSA type ...	1,195.00
72-0292-19-D	GX-2012, 3-sensor,LEL/% volume CH4/CO,w/Li-ion battery pack/charger/12VDC adpt/vehicle plug, CSA type	1,195.00
72-0292-19-E	GX-2012, 3-sensor,LEL/% vol CH4/CO,w/alka & Li-ion batt packs/chgr/DC adapt/veh plug,CSA type ...	1,255.00
72-0292-19-F	GX-2012, 3-sensor, LEL/% volume CH4/CO, with Li-ion battery pack/charger/AC and DC adapters, CSA type	1,215.00
72-0292-19-G	GX-2012, 3-sensor,LEL/% vol CH4/CO,w/alka & Li-ion batt packs/chg/AC & DC adptrs,CSA type	1,275.00
72-0292-19-H	GX-2012, 3-sensor, LEL/% volume CH4/CO, with Li-ion battery pack, no charger,CSA type	1,145.00
72-0292-22-A	GX-2012,4-sensor,LEL/Oxy/CO/H2S,w/alkaline battery pack,CSA type	995.00
72-0292-22-A-50	GX-2012 CSA bundle, 4 sensors, LEL / O2 / H2S / CO unit with alkaline battery pack, and padded case	1,095.00
72-0292-22-A-51	GX-2012 CSA bundle, 4 sensors, LEL / O2 / H2S / CO unitwith alkaline battery pack, 34AL cyl H2S/CO/O2/CH4, demand flow regulator, tubing and padded case	1,520.00
72-0292-22-B	GX-2012,4-sensor,LEL/Oxy/CO/H2S,w/alkaline & Li-ion batt packs/charger/AC adapter,CSA type	1,255.00
72-0292-22-B-51	CSK,GX-2012,4-sensor,LEL/Oxy/CO/H2S,w/alk & Li-Ion batt packs/chgr/AC adptr/34 L cal kit,CSA type	1,780.00
72-0292-22-C	GX-2012,4-sensor,LEL/Oxy/CO/H2S,with Li-ion battery pack/charger/AC adapter,CSA type.....	1,195.00
72-0292-22-C-50	CSK,GX-2012,4-sensor,LEL/Oxy/CO/H2S,with Li-ion battery pack/charger/AC adapter,CSA type	1,295.00
72-0292-22-C-51	GX-2012,4-sensor,LEL/Oxy/CO/H2S,with Li-ion batt pack/charger/AC adapter,34 liter cal kit,CSA type	1,720.00
72-0292-22-D	GX-2012,4-sensor,LEL/Oxy/CO/H2S,with Li-ion battery pack/charger/12VDC adapter/vehicle plug, CSA type	1,195.00
72-0292-22-E	GX-2012,4-sensor,LEL/Oxy/CO/H2S,w/alka & Li-ion batt packs/chgr/DC adptr w/veh plug,CSA type ...	1,255.00
72-0292-22-F	GX-2012,4-sensor,LEL/Oxy/CO/H2S,with Li-ion battery pack/charger/AC and DC adapters,CSA type ...	1,215.00
72-0292-22-G	GX-2012,4-sensor,LEL/Oxy/CO/H2S,w/alka & Li-ion batt packs/charger/AC & DC adapters,CSA type ...	1,275.00
72-0292-22-H	GX-2012,4-sensor,LEL/Oxy/CO/H2S,with Li-ion battery pack, no charger,CSA type	1,145.00
72-0292-22-J-50	CSK,GX-2012,4-sensor,LEL/Oxy/CO/H2S,w/NiMH batteries/charger/AC & 12 VDC adapters,CSA type ...	1,135.00
72-0292-22-J-51	CSK,GX-2012,4-sensor,LEL/Oxy/CO/H2S,w/NiMH batteries/chgr/AC&12 VDC adptrs/34 liter cal kit, CSA type	1,565.00
72-0292-23-A	GX-2012, 4-sensor, LEL/% volume CH4/O2/CO, with alkaline battery pack,CSA type.....	1,045.00
72-0292-23-B	GX-2012, 4-sensor,LEL/% volume CH4/O2/CO,w/alkaline & Li-ion battery packs/chgr/AC adapter, CSA type	1,305.00
72-0292-23-C	GX-2012, 4-sensor, LEL/% volume CH4/O2/CO, with Li-ion battery pack/charger/AC adapter,CSA type	1,245.00
72-0292-23-D	GX-2012, 4-sensor,LEL/% volume CH4/O2/CO,w/Li-ion battery pack/charger/12VDC/vehicle plug, CSA type	1,245.00
72-0292-23-E	GX-2012, 4-sensor,LEL/% volume CH4/O2/CO,w/alkaline & Li-ion battery packs/chgr/DC/veh plug, CSA type	1,305.00
72-0292-23-F	GX-2012, 4-sensor, LEL/% volume CH4/O2/CO, with Li-ion battery pack/charger/AC & DC adapter, CSA type	1,265.00
72-0292-23-G	GX-2012, 4-sensor,LEL/% volume CH4/O2/CO,w/alkaline & Li-ion batt packs/chgr/AC/DC adapters, CSA type	1,325.00
72-0292-23-H	GX-2012, 4-sensor, LEL/% volume CH4/O2/CO, with Li-ion battery pack, no charger,CSA type.....	1,195.00
72-0292-23-I	GX-2012, 4-sensor, LEL/% volume CH4/O2/CO, with NiMH batteries,CSA type	1,055.00
72-0292-23-J	GX-2012, 4-sensor, LEL/% volume CH4/O2/CO, with NiMH batteries, AC & 12 VDC adapters,CSA type	1,090.00
72-0292-24-A	GX-2012, 4-sensor, LEL/% volume CH4/O2/H2S, with alkaline battery pack,CSA type	1,045.00
72-0292-24-B	GX-2012, 4-sensor,LEL/% volume CH4/O2/H2S,w/alkaline & Li-ion battery packs/chgr/AC adapter, CSA type	1,305.00
72-0292-24-E	GX-2012, 4-sensor,LEL/% volume CH4/O2/H2S,w/alkaline & Li-ion battery packs/chgr/DC adapter, CSA type	1,305.00
72-0292-24-F	GX-2012, 4-sensor, LEL/% volume CH4/O2/H2S, with Li-ion battery pack/charger/AC & DC adptrs, CSA type	1,265.00
72-0292-24-G	GX-2012, 4-sensor,LEL/% volume CH4/O2/H2S,w/alkaline & Li-ion batt packs/chgr/AC & DC adapt, CSA type	1,325.00
72-0292-24-H	GX-2012, 4-sensor, LEL/% volume CH4/O2/H2S, with Li-ion battery pack, no charger,CSA type	1,195.00
72-0292-24-I	GX-2012, 4-sensor, LEL/% volume CH4/O2/H2S, with NiMH batteries,CSA type.....	1,055.00

Numerical Index

Part#	Description	Suggested Retail
72-0292-24-J	GX-2012, 4-sensor, LEL/% volume CH4/O2/H2S, with NiMH batteries, AC & 12 VDC adapters,CSA type	1,090.00
72-0292-27-A	GX-2012,5-sensor,LEL/%volume/Oxy/CO/H2S,w/alkaline battery pack,CSA type	1,095.00
72-0292-27-A-51	CSK, GX-2012, 5-sensor,LEL/%volume/Oxy/CO/H2S,w/alkaline battery pack/34 liter cal kit,CSA type ...	1,820.00
72-0292-27-B	GX-2012,5-sensor,LEL/%volume/Oxy/CO/H2S,w/alkaline & Li-ion battery packs/charger/AC adapt, CSA type	1,355.00
72-0292-27-C	GX-2012,5-sensor,LEL/%volume/Oxy/CO/H2S,with Li-ion battery pack/charger/AC adapter,CSA type	1,295.00
72-0292-27-C-51	CSK,GX-2012,5-sensor,LEL/%volume/Oxy/CO/H2S/Vol,w/Li-ion batt pack/charger/34 liter cal kit, CSA type	2,020.00
72-0292-27-D	GX-2012,5-sensor,LEL/%volume/Oxy/CO/H2S,with Li-ion battery pack/charger/12VDC/vehc plug, CSA type	1,295.00
72-0292-27-E	GX-2012,5-sensor,LEL/%vol/Oxy/CO/H2S,w/alkaline & Li-ion battery packs/chgr/DC adpt/veh plg, CSA type	1,355.00
72-0292-27-F	GX-2012,5-sensor,LEL/%volume/Oxy/CO/H2S,with Li-ion battery pack/charger/AC & DC adapters, CSA type	1,315.00
72-0292-27-G	GX-2012,5-sensor,LEL/%volume/Oxy/CO/H2S,w/alkaline & Li-ion battery packs/chgr/AC/DC adapts, CSA type	1,375.00
72-0292-27-H	GX-2012,5-sensor,LEL/%volume/Oxy/CO/H2S,with Li-ion battery pack, no charger,CSA type	1,245.00
72-0292-27-I	GX-2012,5-sensor,LEL/%volume/Oxy/CO/H2S,with NiMH batteries,CSA type	1,105.00
72-0292-27-J	GX-2012,5-sensor,LEL/%volume/Oxy/CO/H2S,with NiMH batteries, AC and 12 VDC adapters,CSA type	1,140.00
72-0293-51-A	Gas Tracer,1-sensor,0-5,000 PPM CH4 with alkaline battery pack,CSA type	1,045.00
72-0293-51-B	Gas Tracer,1-sensor,0-5000 ppm CH4 w/alkaline & Li-ion batt packs/chgr/AC adapter,CSA type	1,305.00
72-0293-51-C	Gas Tracer,1-sensor, 0-5,000 ppm CH4 with Li-ion battery pack/charger/AC adapter,CSA type.....	1,245.00
72-0293-51-D	Gas Tracer,1-sensor,0-5K ppm CH4,Li-ion batt pack/chgr/12VDC adptr w/vehicle plug,CSA type.....	1,245.00
72-0293-51-E	Gas Tracer,1-sensor,0-5kPPM CH4 w/alka & Li-ion batt packs/chgr/DC adptr w/veh plug,CSAtype	1,305.00
72-0293-51-F	Gas Tracer,1-sensor,0-5,000 PPM CH4 with Li-ion battery pack/chgr/AC&DC adapters,CSA type	1,265.00
72-0293-51-G	Gas Tracer,1-sensor,0-5,000PPM CH4 w/alka & Li-ion batt packs/chgr/AC & DC adpts,CSA type	1,325.00
72-0293-51-H	Gas Tracer,1-sensor, 0-5,000 PPM CH4 with Li-ion battery pack, no charger,CSA type	1,195.00
72-0293-54-A	Gas Tracer,2-sensor, PPM CH4/LEL with alkaline battery pack,CSA type	1,095.00
72-0293-54-B	Gas Tracer,2-sensor, PPM CH4/LEL with alkaline & Li-ion battery packs/chgr/AC adptr,CSA type	1,355.00
72-0293-54-C	Gas Tracer,2-sensor, PPM CH4/LEL with Li-ion battery pack/charger/AC adapter,CSA type	1,295.00
72-0293-54-D	Gas Tracer,2-sensor,PPM CH4/LEL w/Li-ion battery pack/chgr/12VDC adapter w/veh plug,CSA type ...	1,295.00
72-0293-54-E	Gas Tracer,2-sensor,PPM CH4/LEL w/alkaline & Li-ion batt packs/chgr/DC adptr w/veh plug,CSA type	1,355.00
72-0293-54-F	Gas Tracer,2-sensor, PPM CH4/LEL with Li-ion batt pack/charger/AC and DC adapters,CSA type	1,315.00
72-0293-54-G	Gas Tracer,2-sensor,PPM CH4/LEL w/alkaline & Li-ion batt packs/chgr/AC & DC adapters,CSA type.....	1,375.00
72-0293-54-H	Gas Tracer,2-sensor, PPM CH4/LEL with Li-ion battery pack, no charger,CSA type	1,245.00
72-0293-55-A	Gas Tracer,2-sensor, PPM CH4/O2 with alkaline battery pack,CSA type	1,095.00
72-0293-55-B	Gas Tracer,2-sensor, PPM CH4/O2 with alkaline & Li-ion batt packs/chgr/AC adapter,CSA type	1,355.00
72-0293-55-C	Gas Tracer,2-sensor, PPM CH4/O2 with Li-ion battery pack/charger/AC adapter,CSA type	1,295.00
72-0293-55-D	Gas Tracer,2-sensor, PPM CH4/O2 with Li-ion battery pack/chgr/12VDC adptr/veh plug,CSA type	1,295.00
72-0293-55-E	Gas Tracer,2-sensor,PPM CH4/O2 w/alkaline & Li-ion batt packs/chgr/DC adptr w/veh plug,CSA type	1,355.00
72-0293-55-F	Gas Tracer,2-sensor, PPM CH4/O2 with Li-ion battery pack/charger/AC and DC adapters,CSA type	1,315.00
72-0293-55-G	Gas Tracer,2-sensor, PPM CH4/O2 w/alkaline & Li-ion batt packs/chgr/AC/DC adapters,CSA type	1,375.00
72-0293-55-H	Gas Tracer,2-sensor, PPM CH4/O2 with Li-ion battery pack, no charger,CSA type	1,245.00
72-0293-56-A	Gas Tracer,2-sensor, PPM CH4/CO with alkaline battery pack,CSA type	1,095.00
72-0293-56-B	Gas Tracer,2-sensor, PPM CH4/CO with alkaline & Li-ion batt packs/charger/AC adapter,CSA type	1,355.00
72-0293-56-C	Gas Tracer,2-sensor, PPM CH4/CO with Li-ion battery pack/charger/AC adapter,CSA type	1,295.00
72-0293-56-D	Gas Tracer,2-sensor, PPM CH4/CO with Li-ion battery pack/chgr/12VDC adptr/veh plug,CSA type	1,295.00
72-0293-56-E	Gas Tracer,2-sensor,PPM CH4/CO w/alkaline & Li-ion batt packs/chgr/DC adptr w/veh plug,CSA type	1,355.00
72-0293-56-F	Gas Tracer,2-sensor, PPM CH4/CO with Li-ion battery pack/charger/AC and DC adapters,CSA type	1,315.00
72-0293-56-G	Gas Tracer,2-sensor, PPM CH4/CO with alkaline & Li-ion batt packs/chgr/AC/DC adptrs,CSA type	1,375.00
72-0293-56-H	Gas Tracer,2-sensor, PPM CH4/CO with Li-ion battery pack, no charger,CSA type	1,245.00
72-0293-56H-A	Gas Tracer,2-sensor, PPM CH4/CO(H2S) with alkaline battery pack w/o charcoal filter,CSA type	1,095.00
72-0293-56H-B	Gas Tracer,2-sensor,PPM CH4/CO(H2S) w/alka & Li-ion batt packs/chgr/AC adptr w/o char filtr,CSA type	1,355.00
72-0293-56H-C	Gas Tracer,2-sensor,PPM CH4/CO(H2S) w/ Li-ion batt pack/chgr/AC adptr w/o char filter,CSA type	1,295.00
72-0293-56H-D	Gas Tracer,2-sensor,PPM CH4/CO(H2S) w/Li-ion batt pk/chgr/12VDC adptr/veh plug w/o char ftr, CSA type	1,295.00
72-0293-56H-E	Gas Tracer,2-sens,PPM CH4/CO(H2) w/alka & Li-ion batt packs/chgr/DC adp w/veh plg w/o char, CSA type	1,355.00
72-0293-56H-F	Gas Tracer,2-sens,PPM CH4/CO(H2S) w/Li-ion batt pack/chgr/AC a DC adptrs w/o char flt,CSA type ...	1,315.00
72-0293-56H-G	Gas Tracer,2-sens,PPM CH4/CO(H2S) w/alka & Li-ion bat packs/chgr/AC/DC adtrs w/o char fl,CSA type	1,375.00

Numerical Index

Part#	Description	Suggested Retail
72-0293-56H-H	Gas Tracer,2-sensor,PPM CH4/CO(H2S) w/ Li-ion batt pack, no charger w/o char filter,CSA type	1,245.00
72-0293-59-A	Gas Tracer,3-sensor, PPM CH4/LEL/O2 with alkaline battery pack,CSA type	1,145.00
72-0293-59-B	Gas Tracer,3-sensor, PPM CH4/LEL/O2 with alkaline & Li-ion bat packs/chgr/AC adptr,CSA type	1,405.00
72-0293-59-C	Gas Tracer,3-sensor, PPM CH4/LEL/O2 with Li-ion battery pack/charger/AC adapter,CSA type	1,345.00
72-0293-59-D	Gas Tracer,3-sensor, PPM CH4/LEL/O2 with Li-ion batt pack/chgr/12VDC adptr/veh plug,CSA type ...	1,345.00
72-0293-59-E	Gas Tracer,3-sens,PPM CH4/LEL/O2 w/alkaline & Li-ion batt packs/chg/DC adpt w/veh plug,CSA type	1,405.00
72-0293-59-F	Gas Tracer,3-sensor, PPM CH4/LEL/O2 with Li-ion batt pack/charger/AC and DC adapters,CSA type ...	1,365.00
72-0293-59-G	Gas Tracer,3-sens,PPM CH4/LEL/O2 w/alkaline & Li-ion batt packs/chgr/AC & DC adpts,CSA type	1,425.00
72-0293-59-H	Gas Tracer,3-sensor, PPM CH4/LEL/O2 with Li-ion battery pack, no charger,CSA type	1,295.00
72-0293-60-A	Gas Tracer,3-sensor, PPM CH4/LEL/CO with alkaline battery pack,CSA type	1,145.00
72-0293-60-B	Gas Tracer,3-sensor, PPM CH4/LEL/CO with alkaline & Li-ion batt packs/chgr/AC adptr,CSA type.....	1,405.00
72-0293-60-C	Gas Tracer,3-sensor, PPM CH4/LEL/CO with Li-ion battery pack/charger/AC adapter,CSA type.....	1,345.00
72-0293-60-D	Gas Tracer,3-sensor, PPM CH4/LEL/CO with Li-ion batt pack/chgr/12VDC adpt/veh plug,CSA type	1,345.00
72-0293-60-E	Gas Tracer,3-sens,PPM CH4/LEL/CO w/alkaline & Li-ion bat packs/chg/DC adpt w/veh plug,CSA type	1,405.00
72-0293-60-F	Gas Tracer,3-sensor, PPM CH4/LEL/CO with Li-ion batt pack/charger/AC and DC adapters,CSA type ...	1,365.00
72-0293-60-G	Gas Tracer,3-sens, PPM CH4/LEL/CO with alkaline & Li-ion batt packs/chgr/AC & DC adptrs,CSA type ...	1,425.00
72-0293-60-H	Gas Tracer,3-sensor, PPM CH4/LEL/CO with Li-ion battery pack, no charger,CSA type	1,295.00
72-0293-60H-A	Gas Tracer,3-sensor, PPM CH4/LEL/CO(H2S) w/alkaline batt pack w/o charcoal filter,CSA type	1,145.00
72-0293-60H-B	Gas Tracer,3-sensor, PPM CH4/LEL/CO(H2S) w/alka & Li-ion bat packs/chgr/AC adpt w/o char fl, CSA type	1,405.00
72-0293-60H-C	Gas Tracer,3-sens,PPM CH4/LEL/CO(H2S) w/Li-ion batt pack/chgr/AC adpt w/o char filter,CSA type ...	1,345.00
72-0293-60H-D	Gas Tracer,3-sens,PPM CH4/LEL/CO(H2S) w/Li-ion bat pk/chgr/12VDC adpt/veh plug w/o char flt, CSA type	1,345.00
72-0293-60H-F	Gas Tracer,3-sens,PPM CH4/LEL/CO(H2S) w/Li-ion batt pk/chgr/AC & DC adptrs w/o char fil,CSA type	1,365.00
72-0293-60H-G	Gas Tracer,3-sens,PPM CH4/LEL/CO(H2S) w/alka & Li-ion bat pks/chgr/AC & DC adptrs w/o char, CSA type	1,425.00
72-0293-60H-H	Gas Tracer,3-sensor,PPM CH4/LEL/CO(H2S) w/Li-ion batt pack, no chgr w/o char filter,CSA type	1,295.00
72-0293-61-A	Gas Tracer,3-sensor, PPM CH4/LEL/% volume CH4 with alkaline battery pack,CSA type	1,195.00
72-0293-61-B	Gas Tracer,3-sens,PPM CH4/LEL/% volume CH4 with alkaline & Li-ion bat packs/chr/AC,CSA type	1,455.00
72-0293-61-C	Gas Tracer,3-sensor,PPM CH4/LEL/% volume CH4 with Li-ion batt pack/chgr/AC adapter,CSA type.....	1,395.00
72-0293-61-D	Gas Tracer,3-sens PPM CH4/LEL/% vol CH4 with Li-ion bat pack/chgr/12VC ad/veh plg,CSA type	1,395.00
72-0293-61-E	Gas Tracer,3-sens PPM CH4/LEL/% vol CH4 with alkaline & Li-ion batt packs/chr/DC,CSA type	1,455.00
72-0293-61-F	Gas Tracer,3-sens,PPM CH4/LEL/% volume CH4 with Li-ion batt pack/chgr/AC/DC adptrs,CSA type ...	1,415.00
72-0293-61-G	Gas Tracer,3-sens,PPM CH4/LEL/%vol CH4 w/ alkaline & Li-ion batt packs/chr/AC & DC,CSA type	1,475.00
72-0293-61-H	Gas Tracer,3-sensor, PPM CH4/LEL/% volume CH4 with Li-ion battery pack, no charger,CSA type	1,345.00
72-0293-64-A	Gas Tracer,4-sensor, PPM CH4/LEL/O2/CO with alkaline battery pack,CSA type.....	1,195.00
72-0293-64-B	Gas Tracer,4-sens, PPM CH4/LEL/O2/CO with alkaline & Li-ion batt packs/chgr/AC adptr,CSA type	1,455.00
72-0293-64-C	Gas Tracer,4-sensor, PPM CH4/LEL/O2/CO with Li-ion battery pack/charger/AC adapter,CSA type	1,395.00
72-0293-64-D	Gas Tracer,4-sens, PPM CH4/LEL/O2/CO with Li-ion batt pack/chgr/12VDC adpt/veh plug,CSA type ...	1,395.00
72-0293-64-E	Gas Tracer,4-sens, PPM CH4/LEL/O2/CO with alkaline & Li-ion batt packs/chg/DC adpt w/ve,CSA type	1,455.00
72-0293-64-F	Gas Tracer,4-sensor, PPM CH4/LEL/O2/CO with Li-ion batt pack/chgr/AC & DC adapters,CSA type	1,415.00
72-0293-64-G	Gas Tracer,4-sens, PPM CH4/LEL/O2/CO with alka & Li-ion batt packs/chgr/AC & DC adpts,CSA type ...	1,475.00
72-0293-64-H	Gas Tracer,4-sensor, PPM CH4/LEL/O2/CO with Li-ion battery pack, no charger,CSA type.....	1,345.00
72-0293-64H-A	Gas Tracer,4-sensor, PPM CH4/LEL/O2/CO(H2S) w/alkaline batt pack w/o char filter,CSA type	1,195.00
72-0293-64H-B	Gas Tracer,4-sens,PPM CH4/LEL/O2/CO(H2S) w/alka & Li-ion bat packs/chgr/AC adaptr w/o char, CSA type	1,455.00
72-0293-65-A	Gas Tracer,4-sensor, PPM CH4/LEL/% volume CH4/O2 with alkaline battery pack,CSA type	1,245.00
72-0293-65-B	Gas Tracer,4-sens, PPM CH4/LEL/% volume CH4/O2 with alka & Li-ion batt packs/chgr/AC,CSA type ...	1,505.00
72-0293-65-C	Gas Tracer,4-sensor, PPM CH4/LEL/% volume CH4/O2 with Li-ion batt pack/chgr/AC adptr,CSA type ...	1,445.00
72-0293-65-D	Gas Tracer,4-sens, PPM CH4/LEL/% vol CH4/O2 w/Li-ion batt pack/chgr/12VDC adt/veh p,CSA typ.....	1,445.00
72-0293-65-E	Gas Tracer,4-sens, PPM CH4/LEL/% volume CH4/O2 with alka & Li-ion batt packs/chgr/DC,CSA type ...	1,505.00
72-0293-65-F	Gas Tracer,4-sens, PPM CH4/LEL/% vol CH4/O2 with Li-ion batt pack/chgr/AC/DC adptrs,CSA type ...	1,465.00
72-0293-65-G	Gas Tracer,4-sensor, PPM CH4/LEL/% vol CH4/O2 w/ alka & Li-ion batt packs/chg/AC/DC,CSA type ...	1,525.00
72-0293-65-H	Gas Tracer,4-sensor, PPM CH4/LEL/% volume CH4/O2 with Li-ion batt pack, no charger,CSA type	1,395.00
72-0293-66-A	Gas Tracer,4-sensor, PPM CH4/LEL/% volume CH4/CO with alkaline battery pack,CSA type	1,245.00
72-0293-66-B	Gas Tracer,4-sensor, PPM CH4/LEL/% volume CH4/CO w/alka & Li-ion bat packs/chgr/AC,CSA type ...	1,505.00
72-0293-66-C	Gas Tracer,4-sensor, PPM CH4/LEL/% volume CH4/CO w/Li-ion batt pack/chgr/AC adptr,CSA type	1,445.00
72-0293-66-D	Gas Tracer,4-sens, PPM CH4/LEL/% vol CH4/CO with Li-ion batt pack/chgr/12VDC ad/veh pl,CSA type	1,445.00
72-0293-66-E	Gas Tracer,4-sensor, PPM CH4/LEL/% volume CH4/CO w/alka & Li-ion bat packs/chgr/DC,CSA type ...	1,505.00
72-0293-66-F	Gas Tracer,4-sens, PPM CH4/LEL/% vol CH4/CO with Li-ion batt pack/chgr/AC/DC adptrs,CSA type ...	1,465.00
72-0293-66-G	Gas Tracer,4-sens, PPM CH4/LEL/% vol CH4/CO w/alka & Li-ion bat packs/chgr/AC & DC,CSA type	1,525.00

Numerical Index

Part#	Description	Suggested Retail
72-0293-66-H	Gas Tracer,4-sensor, PPM CH4/LEL/% volume CH4/CO with Li-ion batt pack, no charger,CSA type	1,395.00
72-0293-66H-A	Gas Tracer,4-sens, PPM CH4/LEL/% vol CH4/CO(H2S) w/ alka batt pack w/o char filter,CSA type	1,245.00
72-0293-66H-B	Gas Tracer,4-sens,PPM CH4/LEL/% vol CH4/CO(H2S) w/alka & Li-ion bat pks/chgr/AC w/o char,CSA type	1,505.00
72-0293-66H-E	Gas Tracer,4-sens,PPM CH4/LEL/% vol CH4/CO(H2S) w/alka & Li-ion bat pks/chg/DC w/o char fil, CSA type	1,505.00
72-0293-66H-F	Gas Tracer,4-sens,PPM CH4/LEL/% vol CH4/CO(H2S) w/Li-ion bat pk/chg/AC/DC adpts w/o char fl, CSA type	1,465.00
72-0293-69-A	Gas Tracer,5-sensor, PPM CH4/LEL/% volume CH4/O2/CO with alkaline battery pack,CSA type	1,295.00
72-0293-69-B	Gas Tracer,5-sensor, PPM CH4/LEL/% vol CH4/O2/CO w/alka & Li-ion bat packs/chgr/AC,CSA type	1,555.00
72-0293-69-C	Gas Tracer,5-sensor, PPM CH4/LEL/% vol CH4/O2/CO w/Li-ion batt pack/chgr/AC adptr,CSA type	1,495.00
72-0293-69-D	Gas Tracer,5-sens, PPM CH4/LEL/% vol CH4/O2/CO with Li-ion batt pack/chgr/12VDC ad/veh pl, CSA type	1,495.00
72-0293-69-E	Gas Tracer,5-sens, PPM CH4/LEL/% vol CH4/O2/CO with alka & Li-ion bat packs/chgr/DC,CSA type ...	1,555.00
72-0293-69-F	Gas Tracer,5-sens, PPM CH4/LEL/% vol CH4/O2/CO with Li-ion batt pack/chgr/AC/DC adptrs,CSA type	1,515.00
72-0293-69-G	Gas Tracer,5-sens, PPM CH4/LEL/% vol CH4/O2/CO w/alka & Li-ion bat packs/chgr/AC & DC,CSA type	1,575.00
72-0293-69-H	Gas Tracer,5-sensor, PPM CH4/LEL/% vol CH4/O2/CO with Li-ion batt pack, no charger,CSA type	1,445.00
72-0293-69H-A	Gas Tracer,5-sens, PPM CH4/LEL/% vol CH4/O2/CO(H2S) w/alka batt pack w/o char filter,CSA type.....	1,295.00
72-0293-69H-B	Gas Tracer,5-sens,PPM CH4/LEL/% vol CH4/O2/CO(H2S) w/alka & Li-ion bat packs/chg/AC w/o chr, CSA type	1,555.00
72-0293-69H-F	Gas Tracer,5-sens,PPM CH4/LEL/%vol CH4/O2/CO(H2S) w/Li-ion bat pk/chg/AC/DC adptrs w/o char, CSA type	1,515.00
72-0300-MSHA	GX-2009 MSHA, 1 gas, CH4 with alligator clip, no charger	670.00
72-0300-MSHA-A	GX-2009 MSHA, 1 gas, CH4 with alligator clip, 12 VDC charger and vehicle plug	735.00
72-0300-MSHA-C	GX-2009 MSHA, 1 gas, CH4 with alligator clip and 115 / 220 VAC charger	720.00
72-0300RK	GX-2009, 1 gas, LEL with alligator clip, no charger	570.00
72-0300RKA	GX-2009, 1 gas, LEL with alligator clip, 12 VDC charger and vehicle plug	635.00
72-0300RKC	GX-2009, 1 gas, LEL with alligator clip and 115 / 220 VAC charger	620.00
72-0301RK	GX-2009, 1 gas, O2 with alligator clip, no charger	570.00
72-0301RKA	GX-2009, 1 gas, O2 with alligator clip, 12 VDC charger and vehicle plug	635.00
72-0301RKC	GX-2009, 1 gas, O2 with alligator clip and 115 / 220 VAC charger	620.00
72-0302RK	GX-2009 1-gas,H2S,w/alligator clip,no charger.....	570.00
72-0302RKA	GX-2009 1-gas,H2S,w/alligator clip,w/charger & 12 VDC adapter w/vehicle plug	635.00
72-0302RKC	GX-2009, 1 gas, H2S with alligator clip and 115 / 220 VAC charger	620.00
72-0304-MSHA	GX-2009 MSHA, 2 gas, CH4 / O2 with alligator clip, no charger	695.00
72-0304-MSHA-A	GX-2009 MSHA, 2 gas, CH4 / O2 with alligator clip, 12 VDC charger and vehicle plug	760.00
72-0304-MSHA-C	GX-2009 MSHA, 2 gas, CH4 / O2 with alligator clip and 115 / 220 VAC charger	745.00
72-0304RK	GX-2009, 2 gas, LEL / O2 with alligator clip, no charger	595.00
72-0304RKA	GX-2009, 2 gas, LEL / O2 with alligator clip, 12 VDC charger and vehicle plug	660.00
72-0304RKA-01	GX-2009, 2 gas, LEL / O2 with alligator clip and 12 VDC charger	665.00
72-0304RKC	GX-2009, 2 gas, LEL / O2 with alligator clip and 115 / 220 VAC charger	645.00
72-0305RK	GX-2009, 2 gas, O2 / H2S with alligator clip, no charger	595.00
72-0305RKA	GX-2009, 2 gas, O2 / H2S with alligator clip, 12 VDC charger and vehicle plug	660.00
72-0305RKA-01	GX-2009, 2 gas, O2 / H2S with alligator clip and 12 VDC charger.....	665.00
72-0305RKC	GX-2009, 2 gas, O2 / H2S with alligator clip and 115 / 220 VAC charger	645.00
72-0306RK	GX-2009, 2 gas, O2 / CO with alligator clip, no charger	595.00
72-0306RKA	GX-2009, 2 gas, O2 / CO with alligator clip, 12 VDC charger and vehicle plug	660.00
72-0306RKA-01	GX-2009, 2 gas, O2 / CO with alligator clip and 12 VDC charger	665.00
72-0306RKC	GX-2009, 2 gas, O2 / CO with alligator clip and 115 / 220 VAC charger	645.00
72-0307RK	GX-2009, 2 gas, LEL / H2S with alligator clip, no charger	595.00
72-0307RKA	GX-2009, 2 gas, LEL / H2S with alligator clip, 12 VDC charger, and vehicle plug	660.00
72-0307RKC	GX-2009, 2 gas, LEL / H2S with alligator clip and 115 / 220 VAC charger	645.00
72-0308RK	GX-2009, 2 gas, LEL / CO with alligator clip, no charger	595.00
72-0308RKA	GX-2009, 2 gas, LEL / CO with alligator clip, 12 VDC charger, and vehicle plug	660.00
72-0308RKC	GX-2009, 2 gas, LEL / CO with alligator clip and 115 / 220 VAC charger	645.00
72-0309RK	GX-2009, 2 gas, H2S / CO with alligator clip, no charger	595.00
72-0309RKA	GX-2009, 2 gas, H2S / CO with alligator clip, 12 VDC charger, and vehicle plug	660.00
72-0309RKC	GX-2009, 2 gas, H2S / CO with alligator clip and 115 / 220 VAC charger	645.00
72-0310-MSHA	GX-2009 MSHA, 3 gas, CH4 / O2 / H2S with alligator clip, no charger	720.00
72-0310-MSHA-A	GX-2009 MSHA, 3 gas, CH4 / O2 / H2S with alligator clip, 12 VDC charger and vehicle plug	785.00
72-0310-MSHA-C	GX-2009 MSHA, 3 gas, CH4 / O2 / H2S with alligator clip and 115 / 220 VAC charger.....	770.00
72-0310RK	GX-2009, 3 gas, LEL / O2 / H2S with alligator clip, no charger	620.00

Numerical Index

Part#	Description	Suggested Retail
72-0310RKA	GX-2009, 3 gas, LEL / O2 / H2S with alligator clip, 12 VDC charger, and vehicle plug	685.00
72-0310RKA-01	GX-2009, 3 gas, LEL / O2 / H2S with alligator clip and 12 VDC charger	690.00
72-0310RKC	GX-2009, 3 gas, LEL / O2 / H2S with alligator clip and 115 / 220 VAC charger	670.00
72-0311-MSHA	GX-2009 MSHA, 3 gas, CH4 / O2 / CO with alligator clip, no charger	720.00
72-0311-MSHA-A	GX-2009 MSHA, 3 gas, CH4 / O2 / CO with alligator clip, 12 VDC charger and vehicle plug	785.00
72-0311-MSHA-C	GX-2009 MSHA, 3 gas, CH4 / O2 / CO with alligator clip and 115 / 220 VAC charger	770.00
72-0311RK	GX-2009, 3 gas, LEL / O2 / CO with alligator clip, no charger	620.00
72-0311RKA	GX-2009, 3 gas, LEL / O2 / CO with alligator clip, 12 VDC charger, and vehicle plug	685.00
72-0311RKA-01	GX-2009, 3 gas, LEL / O2 / CO with alligator clip and 12 VDC charger	690.00
72-0311RKC	GX-2009, 3 gas, LEL / O2 / CO with alligator clip and 115 / 220 VAC charger	670.00
72-0311RKC-05	GX-2009 3-gas,LEL/Oxy/CO,w/alligator clip,w/charger & 100/115/220 VAC adapter,w/cal cup	685.00
72-0312RK	GX-2009, 3 gas, LEL / H2S / CO with alligator clip, no charger	620.00
72-0312RKA	GX-2009, 3 gas, LEL / H2S / CO with alligator clip, 12 VDC charger, and vehicle plug	685.00
72-0312RKC	GX-2009, 3 gas, LEL / H2S / CO with alligator clip and 115 / 220 VAC charger	670.00
72-0313RK	GX-2009, 3 gas, O2 / H2S / CO with alligator clip, no charger	620.00
72-0313RKA	GX-2009, 3 gas, O2 / H2S / CO with alligator clip, 12 VDC charger, and vehicle plug	685.00
72-0313RKC	GX-2009, 3 gas, O2 / H2S / CO with alligator clip and 115 / 220 VAC charger	670.00
72-0314-MSHA	GX-2009 MSHA, 4 gas, CH4 / O2 / H2S / CO with alligator clip, no charger	745.00
72-0314-MSHA-A	GX-2009 MSHA, 4 gas, CH4 / O2 / H2S / CO with alligator clip, 12 VDC charger and vehicle plug	810.00
72-0314-MSHA-C	GX-2009 MSHA, 4 gas, CH4 / O2 / H2S / CO with alligator clip and 115 / 220 VAC charger	795.00
72-0314RK	GX-2009, 4 gas, LEL / O2 / H2S / CO with alligator clip, no charger	645.00
72-0314RKA	GX-2009, 4 gas, LEL / O2 / H2S / CO with alligator clip, 12 VDC charger, and vehicle plug	710.00
72-0314RKA-50	Confined space kit including a GX-2009 with 12 VDC charger, and small padded case	755.00
72-0314RKA-51	Confined space kit including a GX-2009 with 12 VDC charger, padded case, hand aspirator assembly with 10' hose, and probe	865.00
72-0314RKA-52	Confined space kit including a GX-2009 with 12 VDC charger, hand aspirator assembly with 10' hose, probe, 34AL cyl H2S/CO/O2/CH4, reg with gauge & knob, padded case, calibration cap, and cal tubing	1,270.00
72-0314RKA-56	Confined space kit including a GX-2009 with 12 VDC charger and vehicle plug, calibration cap, 34AL cyl H2S (25 ppm)/CO/O2/CH4, reg with gauge & knob, screwdriver, padded case, and cal tubing	1,175.00
72-0314RKA-58	Confined space kit including a GX-2009 with 12 VDC charger and vehicle plug, RP-2009, screwdriver, and padded case	1,150.00
72-0314RKA-59	Confined space kit including a GX-2009 with 12 VDC charger and vehicle plug, RP-2009, calibration cap, 34AL cyl H2S (25 ppm)/CO/O2/CH4, reg with gauge & knob, screw driver, padded case, and cal tubing	1,475.00
72-0314RKC	GX-2009, 4 gas, LEL / O2 / H2S / CO with alligator clip and 115 / 220 VAC charger	695.00
72-0314RKC-05	GX-2009 4-gas,LEL/Oxy/H2S/CO,w/alligator clip,w/charger & 100/115/220 VAC adapter,w/cal cup	710.00
72-0314RKC-50	Confined space kit including a GX-2009 with 115 VAC charger, screwdriver, and small padded case	745.00
72-0314RKC-51	Confined space kit including a GX-2009 with 115 VAC charger, screwdriver, padded case, hand aspirator assembly with 10' hose, and probe	855.00
72-0314RKC-52	Confined space kit including a GX-2009 with 115 VAC charger, hand aspirator assembly with 10' hose, probe, 34AL cyl H2S (25 ppm)/CO/O2/CH4, reg with gauge & knob, screwdriver, padded case, calibration cap, and cal tubing	1,265.00
72-0314RKC-56	Confined space kit including a GX-2009 with 115 VAC charger, calibration cap, 34AL cyl H2S (25 ppm)/CO/O2/CH4, reg with gauge & knob, screwdriver, padded case, and cal tubing	1,170.00
72-0314RKC-58	Confined space kit including a GX-2009 with 115 VAC charger, RP-2009, screwdriver, and padded case	1,180.00
72-0314RKC-59	Confined space kit including a GX-2009 with 115 VAC charger, RP-2009, calibration cap, 34AL cyl H2S (25 ppm)/CO/O2/CH4, reg with gauge & knob, screwdriver, padded case, and cal tubing	1,590.00
72-0314RKC-61	GX-2009 4-gas confined space kit,LEL/Oxy/H2S/CO,w/AC charger,w/out cylinder & regulator	890.00
72-0314RKC-B	GX-2009 4-gas,LEL/Oxy/H2S/CO,w/belt clip,w/charger & 100/115/220 VAC adapter	795.00
72-0320RK	GX-8000, 1 sensor, LEL (specify calibration) with alkaline battery pack	1,275.00
72-0320RKC	GX-8000, 1 sensor, LEL (specify calibration) with Li-Ion battery pack and 115/220 VAC charger	1,645.00
72-0321RK	GX-8000, 1 sensor, O2 with alkaline battery pack	1,275.00
72-0321RKC	GX-8000, 1 sensor, Oxygen (O2) with lithium ion battery pack and 115/220 VAC charger	1,645.00
72-0322RKC	GX-8000, 2 sensors, LEL (specify calibration) / Oxygen (O2) with lithium ion battery pack and 115/220 VAC charger	2,370.00
72-0323RKC	GX-8000, 3 sensors, LEL (specify calibration) / Oxygen (O2) / Hydrogen Sulfide (H2S) with lithium ion battery pack and 115/220 VAC charger	3,250.00
72-0324RKC	GX-8000, 3 sensors, LEL (specify calibration) / Oxygen (O2) / Carbon Monoxide (CO) with lithium ion battery pack and 115/220 VAC charger	3,250.00
72-0325RKC	GX-8000, 3 sensors, LEL (specify calibration) / % volume Methane (CH4) / Oxygen (O2) with lithium ion battery pack and 115/220 VAC charger	3,250.00

Numerical Index

Part#	Description	Suggested Retail
72-0326RKC	GX-8000, 4 sensors, LEL (specify calibration) / Oxygen (O2) / Hydrogen Sulfide (H2S) / Carbon Monoxide (CO) with lithium ion battery pack and 115/220 VAC charger	3,750.00
72-0326RKC-01	GX-8000, 4 sensors, LEL (specify calibration) / Oxygen (O2) / Hydrogen Sulfide (H2S) / Carbon Monoxide (CO) with lithium ion battery pack and 115/220 VAC charger, special version for coal / bulk carriers with dilution fitting for inert applications	3,790.00
72-0327RKC	GX-8000, 5 sensors, % Vol (CH4) / LEL / O2 / H2S / CO with Li-Ion battery pack and 115/220 VAC charger	3,995.00
72-1002RK	Model OX-500 controller and detector for Oxygen (O2), 0 - 25%	795.00
72-1004	OX-600 oxygen monitor, 0-25%, battery operated (2 AA batteries)	740.00
72-1004-03	OX-600 oxygen monitor, 0-25%, battery operated (2 AA batteries) with 3 meter sensor cable installed ...	880.00
72-1004-05	OX-600 oxygen monitor, 0-25%, battery operated (2 AA batteries) with 5 meter sensor cable installed ...	900.00
72-1004-10	OX-600 oxygen monitor, 0-25%, battery operated (2 AA batteries) with 10 meter sensor cable installed	940.00
72-1004-20	OX-600 oxygen monitor, 0-25%, battery operated (2 AA batteries) with 20 meter sensor cable installed	1,040.00
72-1005	OX-600 oxygen monitor, 0-25%, 24 VDC operation	740.00
72-1005-03	OX-600 oxygen monitor, 0-25%, 24 VDC operation with 3 meter sensor cable	880.00
72-1005-05	OX-600 oxygen monitor, 0-25%, 24 VDC operation with 5 meter sensor cable	900.00
72-1005-10	OX-600 oxygen monitor, 0-25%, 24 VDC operation with 10 meter sensor cable	940.00
72-1005-20	OX-600 oxygen monitor, 0-25%, 24 VDC operation with 20 meter sensor cable	1,040.00
72-1006	OX-600 oxygen monitor, 0-25%, 115 VAC operation	740.00
72-1006-03	OX-600 oxygen monitor, 0-25%, 115 VAC operation with 3 meter sensor cable	880.00
72-1006-05	OX-600 oxygen monitor, 0-25%, 115 VAC operation with 5 meter sensor cable	900.00
72-1006-10	OX-600 oxygen monitor, 0-25%, 115 VAC operation with 10 meter sensor cable	940.00
72-1006-20	OX-600 oxygen monitor, 0-25%, 115 VAC operation with 20 meter sensor cable	1,040.00
72-2102-04	Beacon 200,w/24 VDC strobe/horn for com alm 1 operation,LEL & H2S detectors on 25 ft cables	2,795.00
72-2102-05	Beacon 200,w/24VDC strobe/horn & com alm 1 operation,1H2S det(spec cable on order),AC cord	2,295.00
72-2102-06	Beacon 200,w/24 VDC strobe/horn for com alm 1 operation,LEL detectors on 100 ft cables	3,000.00
72-2102-07	Beacon 200,w/24 VDC strobe/horn com alm 1 operation,2 H2S det(spec cable on order),AC cord	2,795.00
72-2102-08	Beacon 200, two channel controller, 24 VDC with small red strobe light (uses common alarm 1 relay contact for strobe) (no sensors)	1,825.00
72-2102RK	Beacon 200, two channel controller, 115/220 VAC (no sensors)	1,695.00
72-2102RK-01	Beacon 200, two channel controller, 115/220 VAC with red strobe light (uses common alarm 1 relay contact for strobe) (no sensors)	1,825.00
72-2102RK-12	Beacon 200 controller,12 VDC	1,645.00
72-2102RK-HLR	Rig Monitor system, with Beacon 200 two channel controller, Hydrogen Sulfide (H2S) 0-100 ppm sensor, combustible sensor 0-100% LEL, with cal cup / splash guard and 25' cable, horn/strobe, and 50' power cable with battery clamps	2,795.00
72-2102RK-HR	Rig Monitor system, with Beacon 200 two channel controller, Hydrogen Sulfide (H2S) 0-100 ppm sensor with cal cup / splash guard and 25' cable, horn/strobe, and 50' power cable with battery clamps	2,895.00
72-2102RK-LR-01	Beacon 200 controller, 12 VDC,with remote horn/strobe,LEL sensors	2,895.00
72-2104A	Beacon 410A, four channel controller (no sensor)	2,095.00
72-2104A-01	Beacon 410A, four channel controller with battery charger (no sensors or back-up battery)	2,140.00
72-2104A-02	Beacon 410A, four channel controller with strobe light (no sensor)	2,225.00
72-2104A-03	Beacon 410A, four channel controller with terminals for battery charger and strobe light (no sensors or back-up battery)	2,270.00
72-2104A-13R	Beacon 410A, four channel controller with large red strobe light (no sensor)	2,395.00
72-2104A-14R	Beacon 410A, four channel controller with terminals for battery charger, large red strobe light (no sensors or back-up battery)	2,420.00
72-2104A-HR	Rig Monitor system, with Beacon 410A four channel controller, four Hydrogen Sulfide (H2S) 0-100 ppm sensors with cal cup / splash guard and 25' cable, horn/strobe, and 50' power cable with battery clamps	3,980.00
72-2104A-HR-01	Beacon 410A controller,basic unit,horn/strobe on cable/4 H2S sensors on cables/AC cord	4,300.00
72-2104A-HR-60	Beacon 410A controller,basic unit w/12 VDC/horn and strobe/4 H2S sensors on 60 ft cable	4,120.00
72-2104A-LCHR	Rig Monitor system, with Beacon 410A four channel controller, H2S sensor 0-100 ppm, CO sensor 0-300 ppm, combustible sensor 0-100% LEL with cal cup / splash guard and 25' cable, horn/strobe, and 50' power cable with battery clamps	3,800.00
72-2104A-LR	Beacon 410A Controller,Basic Unit for 12 VDC Operation,with Strobe/Horn and 4 LEL Sensors	3,800.00
72-2104A-WW1	Wet Well Package with Beacon 410A controller, tri-head IR LEL (HC) / O2 / H2S, and IR CH4 direct connect (for ceiling mounting)	4,600.00
72-2104A-WW2	Wet Well Package with Beacon 410A controller, tri-head IR LEL (CH4) / O2 / H2S	3,650.00
72-2108RK	Beacon 800, eight channel controller (no sensors)	2,295.00
72-2110-03BLU	Beacon 110 controller w/blue strobe & batt charging	1,075.00
72-2110-06	Beacon 110 standard basic unit w/horn/strobe and LEL detector on 100 ft cable	1,720.00
72-2110-HR-100	Beacon 110 controller,standard basic unit,12V DC,W/horn/strobe,H2S sensor on 100 ft cable	1,725.00

Numerical Index

Part#	Description	Suggested Retail
72-2110RK	Beacon 110, single channel controller (no sensor)	895.00
72-2110RK-01	Beacon 110, single channel controller with battery charger (no sensor or back-up battery).....	930.00
72-2110RK-02	Beacon 110, single channel controller with small red strobe light (no sensor)	1,025.00
72-2110RK-02AMB	Beacon 110 controller w/amber strobe,w/o batt charging	995.00
72-2110RK-02BLU	Beacon 110 controller w/blue strobe,w/o batt charging	995.00
72-2110RK-03	Beacon 110, single channel controller with battery charger and small red strobe light (no sensor or back-up battery)	1,060.00
72-2110RK-05	Beacon 110 controller,standard basic unit w/horn/strobe	1,050.00
72-2110RK-HR	Rig Monitor system, with Beacon 110 single channel controller, Hydrogen Sulfide (H2S) 0-100 ppm sensor with cal cup / splash guard and 25' cable, horn/strobe, and 50' power cable with battery clamps	1,595.00
72-2110RK-LR-01	Rig Monitor system, with Beacon 110 single channel controller, combustible sensor 0-100% LEL, with cal cup / splash guard and 25' cable, horn/strobe, and 50' power cable with battery clamps	1,695.00
72-2120-101	Digester gas monitor, 100% volume CH4	15,000.00
72-2120-102	Digester gas monitor, 25% volume O2	14,700.00
72-2120-103	Digester gas monitor, 1,000 ppm H2S	14,800.00
72-2120-103-3K	Digester, gas monitor, 3000 ppm H2S	14,800.00
72-2120-104	Digester gas monitor, 50% volume CO2	15,000.00
72-2120-201	Digester gas monitor, 100% volume CH4 / 25% volume O2	15,200.00
72-2120-202	Digester gas monitor, 100% volume CH4 / 1,000 ppm H2S	15,300.00
72-2120-203	Digester gas monitor, 100% volume CH4 / 50% volume CO2	15,500.00
72-2120-204	Digester gas monitor, 25% volume O2 / 1,000 ppm H2S	15,000.00
72-2120-205	Digester gas monitor, 25% volume O2 / 50% volume CO2	15,200.00
72-2120-301	Digester gas monitor, 100% volume CH4 / 25% volume O2 / 1,000 ppm H2S	15,500.00
72-2120-302	Digester gas monitor, 100% volume CH4 / 25% volume O2 / 50% volume CO2	15,700.00
72-2120-303	Digester gas monitor, 100% volume CH4 / 50% volume CO2 / 1,000 ppm H2S	15,800.00
72-2120-304	Digester gas monitor, 25% volume O2 / 50% volume CO2 / 1,000 ppm H2S	15,500.00
72-2120-401	Digester gas monitor, 100% volume CH4 / 25% volume O2 / 50% volume CO2 / 1,000 ppm H2S	16,000.00
72-2120-401-3K	Digester gas monitor, 100% volume CH4 / 25% volume O2 / 50% volume CO2 / 3,000 ppm H2S	16,000.00
72-2120-401-5K	Digester gas monitor, 100% volume CH4 / 25% volume O2 / 50% volume CO2 / 5,000 ppm H2S	16,000.00
72-5101RK	EAGLE for LEL & PPM (specify calibration)	1,830.00
72-5101RK-11T	EAGLE for LEL/PPM, teflon lined & internal dilution (specify calibration)	1,945.00
72-5101RK-IR	EAGLE for LEL Methane only, with IR sensor	2,300.00
72-5101RK-TR1	EAGLE for Hydrogen (H2), 0 - 5% volume, for transformer gas testing, with bag & dilution fitting	1,900.00
72-5101RK-TRB	EAGLE for Hydrogen (H2), 0 - 5% volume, for transformer testing, 2 pumps	2,295.00
72-5101RK-TT	EAGLE for LEL, tank testing version, with float probe & dilution fitting (specify calibration)	2,295.00
72-5101RKT	EAGLE for LEL / PPM, with teflon hose, for heavy hydrocarbons (specify calibration)	1,930.00
72-5102RK	EAGLE for O2 (0 - 40% volume)	1,780.00
72-5102RKM	EAGLE for O2 (0 - 40% volume), marine version with internal oil mist filter	1,800.00
72-5103RK	EAGLE for Hydrogen Sulfide (H2S), 0 - 100 ppm	1,830.00
72-5103RK-01	EAGLE for Hydrogen Sulfide (H2S), 0 - 1.00 ppm	2,300.00
72-5103RK-1000	EAGLE for high range H2S,0 - 1000 ppm	2,000.00
72-5103RK-30	EAGLE for H2S only, 0 - 30.0 ppm	2,300.00
72-5104RK	EAGLE for Carbon Monoxide (CO), 0 - 500 ppm	1,830.00
72-5104RK-01	EAGLE for Carbon Monoxide (CO), 0 - 500 ppm, with H2 compensated CO sensor	2,300.00
72-5105RK	EAGLE for Sulfur Dioxide (SO2), 0 - 10 ppm	2,300.00
72-5105RK-01	EAGLE for SO2, 0 - 30 ppm, w/ES-23E sensor	2,300.00
72-5106RK	EAGLE for Chlorine (Cl2), 0 - 3 ppm	2,300.00
72-5107RK	EAGLE for Arsine (AsH3), 0 - 1.00 ppm	2,300.00
72-5107RKS	EAGLE for Arsine (AsH3), 0 - 0.200 ppm	2,300.00
72-5108RK	EAGLE for Phosphine (PH3), 0 - 1.00 ppm	2,300.00
72-5109RK	EAGLE for Ozone (O3) (no probe), 0 - 1 ppm	2,300.00
72-5110RK	EAGLE for Hydrogen Chloride (HCl), 0 - 15 ppm	2,300.00
72-5111RK	EAGLE for Ammonia (NH3), 0 - 75 ppm	2,300.00
72-5111RK-01	EAGLE for Ammonia (NH3), 0 - 200 ppm	2,300.00
72-5112RK	EAGLE for Hydrogen Fluoride (HF) (no probe), 0 - 9 ppm	2,300.00
72-5113RK	EAGLE for Nitric Oxide (NO), 0 - 100 ppm	2,300.00
72-5114RK	EAGLE for Nitrogen Dioxide (NO2), 0 - 15 ppm	2,300.00
72-5115RK-01	EAGLE for Carbon Dioxide (CO2), 0 - 5,000 ppm	2,300.00
72-5115RK-02	EAGLE for Carbon Dioxide CO2 (0 - 10,000 ppm)	2,300.00
72-5115RK-03	EAGLE for Carbon Dioxide CO2, (5%	2,300.00

Numerical Index

Part#	Description	Suggested Retail
72-5115RK-04	EAGLE for Carbon Dioxide CO ₂ , (20%	2,300.00
72-5115RK-05	EAGLE for Carbon Dioxide CO ₂ , (60%	2,300.00
72-5116RK	EAGLE for Hydrogen Bromide (HBr), 0 - 9 ppm	2,300.00
72-5117RK	EAGLE for Silane (SiH ₄), 0 - 15 ppm, with ES-23DH sensor, with H ₂ response.....	2,300.00
72-5117RK-23AH	EAGLE for Silane (SiH ₄), 0 - 15 ppm, with ES-23AH sensor, no H ₂ response	2,300.00
72-5118RK	EAGLE for Chlorine Dioxide (ClO ₂), 0 - 1 ppm (also detects chlorine)	2,300.00
72-5119RK	EAGLE for Fluorine (F ₂), 0 - 5 ppm (no probe)	2,300.00
72-5120RK	EAGLE for Methane (CH ₄) (100% LEL / 100% volume (IR), autoranging)	2,300.00
72-5121RK	EAGLE for Hydrocarbons (HC) 100% LEL / 30% volume (IR), autoranging	2,300.00
72-5122RK	EAGLE for Bromine (Br ₂), 0 - 1 ppm	2,300.00
72-5123RK	EAGLE for Hydrogen Cyanide (HCN), 0 - 30 ppm	2,300.00
72-5124RK	EAGLE for Hydrogen Peroxide (H ₂ O ₂), 0 - 3.0 ppm, (no probe)	2,300.00
72-5125RK	EAGLE for Hydrogen Selenide (H ₂ Se), 0 - 0.2 ppm, (no probe)	2,300.00
72-5126RK	EAGLE for Hydrazine (N ₂ H ₄), 0 - 5 ppm.....	2,300.00
72-5127RK	Eagle,diborane (B ₂ H ₆)	2,300.00
72-5128RK	EAGLE for Nitric Acid (HNO ₃), 0 - 20 PPM	2,300.00
72-5129RK	Eagle,Germane, 0 - 800 ppb (0-0.8 ppm)	2,300.00
72-5200-08	Eagle,CH ₄ IR(LEL/%Volume Autoranging)/HF, no probe	3,000.00
72-5200-09	Eagle,SO ₂ (0-10 ppm)/CO(0-300 ppm H ₂ compensated)	3,000.00
72-5200-10	Eagle,H ₂ S/HCl.....	2,500.00
72-5200-11	Eagle,F ₂ /B ₂ H ₆ ,no probe	3,000.00
72-5200-12	Eagle,HF/NH ₃ ,no probe	3,000.00
72-5200-13	Eagle,CL ₂ /PH ₃	3,000.00
72-5200RK-01	Eagle,O ₃ /HF,no probe	3,000.00
72-5200RK-02	Eagle,Cl ₂ /AsH ₃ ,w/internal G-92 filter	3,100.00
72-5200RK-03	Eagle,HF/PH ₃ ,no probe	3,000.00
72-5200RK-04	Eagle,H ₂ S/HF (no probe)	2,500.00
72-5200RK-05	Eagle,NO ₂ /NH ₃	3,000.00
72-5200RK-06	Eagle,LEL(ppm)/GeH ₄	2,500.00
72-5200RK-07	Eagle,H ₂ S/O ₃ ,no probe	2,500.00
72-5201RK	EAGLE for LEL & PPM / O ₂	1,950.00
72-5201RK-11	EAGLE for LEL & PPM / O ₂ , with internal dilution for LEL	2,000.00
72-5201RK-12	EAGLE for LEL(ppm) / O ₂ , w/internal & external Purafil filters for HF / NO scrubbing.....	2,150.00
72-5201RK-ID	EAGLE for LEL / OXY, w/internal dilution for LEL, H ₂ cal	2,000.00
72-5201RK-IR	EAGLE for LEL Methane (IR) / OXY	2,500.00
72-5201RK-TR1	EAGLE for H ₂ (0 - 5%) / O ₂ , for transformer gas testing, with sample bag & dilution fitting	2,025.00
72-5201RK-TRB	EAGLE for H ₂ (0 - 5%) / O ₂ , for transformer gas testing, with 2 pumps	2,400.00
72-5201RK-TT	EAGLE for LEL & PPM / O ₂ , tank testing version, includes float probe assembly and dilution fitting ...	2,350.00
72-5201RKT	EAGLE for LEL & PPM / O ₂ with teflon hose for heavy hydrocarbons	2,050.00
72-5202RK	EAGLE for LEL & PPM / CO	1,975.00
72-5203RK	EAGLE for LEL & PPM / H ₂ S	1,975.00
72-5204RK	EAGLE for O ₂ / CO	1,975.00
72-5205RK	EAGLE for O ₂ / H ₂ S.....	1,975.00
72-5206RK	EAGLE for O ₂ / B ₂ H ₆	2,500.00
72-5207RK	Eagle,NO/NH ₃	3,000.00
72-5208RK	EAGLE for HCl / PH ₃ (with HCl filter)	3,000.00
72-5209RK	EAGLE for CO / Cl ₂	2,500.00
72-5210RK	EAGLE for LEL & PPM / NH ₃	2,500.00
72-5211RK	EAGLE for Cl ₂ / NH ₃	3,000.00
72-5212RK	EAGLE for NH ₃ / SiH ₄	3,000.00
72-5213RK	EAGLE for Cl ₂ / SiH ₄	3,000.00
72-5214RK	EAGLE for O ₂ / PH ₃ , 0 - 1.00 ppm	2,500.00
72-5214RK-20	EAGLE for O ₂ / PH ₃ , 0 - 20.0 ppm, for fumigation use	2,500.00
72-5215RK	EAGLE for NH ₃ / PH ₃	3,000.00
72-5216RK	Eagle,B ₂ H ₆ /HCN.....	2,900.00
72-5217RK	Eagle,LEL/Br ₂	2,500.00
72-5218RK	EAGLE for HCl / SiH ₄	3,000.00
72-5219RK	EAGLE for HBr / HCl, (HBr sensor also responds to HCl)	3,000.00
72-5220RK	EAGLE for O ₂ / Cl ₂	2,500.00
72-5221RK	EAGLE for HCl (ES-23E) / B ₂ H ₆	3,000.00
72-5222RK-01	EAGLE for O ₂ / CO ₂ (0 - 5000 ppm)	2,500.00

Numerical Index

Part#	Description	Suggested Retail
72-5222RK-02	EAGLE for O2 / CO2 (10,000 ppm)	2,500.00
72-5222RK-03	EAGLE for O2 / CO2 (5% volume)	2,500.00
72-5222RK-04	EAGLE for O2 / CO2 (0 - 20%)	2,500.00
72-5222RK-05	EAGLE for O2 / CO2 (0 - 60%)	2,500.00
72-5223RK-01	EAGLE for NH3 / CO2 (0 - 5,000 ppm)	3,000.00
72-5223RK-02	EAGLE for NH3 / CO2 (10,000 ppm)	3,000.00
72-5223RK-03	EAGLE for NH3 / CO2 (0 - 5% volume)	3,000.00
72-5224RK	Eagle,CL2(w/ES-239B)/H2S(0 - 30 ppm)	3,000.00
72-5225RK-01	EAGLE for CO / CO2 (5,000 ppm)	2,500.00
72-5225RK-02	EAGLE for CO / CO2 (10,000 ppm)	2,500.00
72-5225RK-03	EAGLE for CO / CO2 (5.0% Volume)	2,500.00
72-5225RK-04	EAGLE for CO / CO2 (20%)	2,500.00
72-5225RK-05	EAGLE for CO / CO2 (60%)	2,500.00
72-5226RK-03	EAGLE for SO2 / CO2 (5%)	3,000.00
72-5227RK	EAGLE for AsH3 0 - 1.00 ppm/ HF (no probe)	3,000.00
72-5227RKS	EAGLE for AsH3 0 - 0.200 ppm / HF (no probe)	3,000.00
72-5228RK	EAGLE for NO / NO2	3,000.00
72-5229RK	EAGLE for SO2 / Cl2 (E3-23AH-D-CL2)	3,000.00
72-5230RK	EAGLE for HF / SiH4 (no probe)	3,000.00
72-5231RK	EAGLE for O2 / NO	2,500.00
72-5232RK	EAGLE for HF / HCN (no probe)	3,000.00
72-5233RK	EAGLE for O3 / HCl (no probe)	3,000.00
72-5234RK	Eagle,NH3/CO	2,500.00
72-5235RK	EAGLE for H2S / CO	1,975.00
72-5236RK	EAGLE for HCN / NH3	3,000.00
72-5237RK	EAGLE for H2S / SO2 (with H2S scrubber)	2,500.00
72-5238RK	EAGLE for LEL & PPM (catalytic) /% volume CH4 (infrared)	2,500.00
72-5239RK-23AH	Eagle,B2H6/SiH4(ES-23AH)	3,000.00
72-5240RK	EAGLE for HCl / NH3	3,000.00
72-5240RK-23E	EAGLE for HCl (ES-23E) NH3	3,000.00
72-5241RK	EAGLE for HCl / AsH3 0 - 1.00 ppm (with HCl scrubber)	3,000.00
72-5241RKS	EAGLE for HCl / AsH3 0 - 0.200 ppm (with HCl scrubber)	3,000.00
72-5242RK	EAGLE for HCl / NO2	3,000.00
72-5243RK-01	EAGLE for LEL / CO2 (5,000 ppm)	2,500.00
72-5243RK-02	EAGLE for LEL / CO2 (10,000 ppm)	2,500.00
72-5243RK-03	EAGLE for LEL / CO2 (5% Volume)	2,500.00
72-5243RK-04	EAGLE for LEL / CO2 (20% Volume)	2,500.00
72-5243RK-05	EAGLE for LEL / CO2 (60% Volume)	2,500.00
72-5244RK	EAGLE for SO2 / NO2	3,000.00
72-5245RK	EAGLE for CH4 (100% LEL / 100% volume (IR autoranging) / OXY	2,500.00
72-5245RK-05	EAGLE for CH4 (100% volume (IR autoranging) / OXY	2,500.00
72-5246RK	EAGLE for LEL & PPM / F2, (no probe)	2,500.00
72-5247RK	EAGLE for Hydrogen Iodide (HI) / Iodine (I2)	3,000.00
72-5248RK	EAGLE for CO / PH3	2,500.00
72-5249RK	EAGLE for H2S / NH3	2,500.00
72-5249RK-1000	Eagle,H2S(0-1000 ppm)/NH3,w/out oil mist filter	2,700.00
72-5250RK	EAGLE for HF / HBr (no probe)	3,000.00
72-5251RK	EAGLE for LEL & PPM / O3 (no probe)	2,500.00
72-5252RK-01	EAGLE for O3 / CO2 (5,000 ppm)	3,000.00
72-5252RK-02	EAGLE for O3 / CO2 (0 - 10,000 ppm)	3,000.00
72-5253RK	EAGLE for O3 / NO (no probe)	3,000.00
72-5254RK	EAGLE for LEL (IR) / H2S 0 - 30 ppm (with ES-237-H2S sensor)	3,000.00
72-5255RK	EAGLE for O2 / HCl	2,500.00
72-5256RK	EAGLE for NH3 / O3 (no probe)	3,000.00
72-5257RKS	EAGLE for NH3 / AsH3	3,000.00
72-5258RK	EAGLE for HCl / NO (with G92 filter)	3,000.00
72-5259RK	EAGLE for O2 / NH3	2,500.00
72-5260RK	EAGLE for LEL & PPM / PH3	2,500.00
72-5261RK	EAGLE for LEL & PPM / HF	2,500.00
72-5262RK	EAGLE for LEL & PPM / AsH3 (0 - 1.0 ppm)	2,500.00
72-5262RKS	Eagle,LEL/AsH3(0-0.2 ppm)	2,500.00

Numerical Index

Part#	Description	Suggested Retail
72-5263RK	EAGLE for LEL & PPM / H2S (0 - 1.0 ppm)	3,000.00
72-5264RK	EAGLE for HF / NO (no probe), with G-92 filter	3,000.00
72-5265RK-01	EAGLE for H2S / CO2 (5,000 ppm)	2,500.00
72-5265RK-02	EAGLE for H2S / CO2 (10,000 ppm)	2,500.00
72-5265RK-03	EAGLE for H2S / CO2 (5% Volume)	2,500.00
72-5265RK-04	EAGLE for H2S / CO2 (20% Volume)	2,500.00
72-5265RK-04-1K	Eagle,H2S(0 -1000 ppm)/CO2 (0-20%)	2,750.00
72-5265RK-05	EAGLE for H2S / CO2 (60%)	2,500.00
72-5265RK-05-1K	EAGLE for H2S (0 - 1,000 ppm) / CO2 (0 - 60%)	2,750.00
72-5266RK	EAGLE for HCl / Cl2	3,000.00
72-5266RK-01	EAGLE for HCl (ES-23E) / Cl2 (ES-239B)	3,000.00
72-5267RK-01	EAGLE for NO / CO2 (5,000 ppm)	3,000.00
72-5268RK	EAGLE for HC % LEL / 30% volume (IR) autoranging / OXY	2,500.00
72-5269RK	EAGLE for O3 / NO2 (no probe)	3,000.00
72-5270RK	EAGLE for O2 / O3, no probe	2,500.00
72-5271RK	EAGLE for O2 / ClO2 (0 - 1 ppm)	2,500.00
72-5272RK	EAGLE for NH3 / SO2 (with ES-238-SO2 sensor, 0 - 6 ppm)	3,000.00
72-5273RK	EAGLE for CH4 % LEL / % volume (IR) autoranging) / H2S (0 - 1.0 ppm)	3,000.00
72-5273RK-100	EAGLE for CH4 % LEL / % volume (IR) autoranging) / H2S (0 - 100 ppm)	2,700.00
72-5274RK	EAGLE for HBr / Cl2	3,000.00
72-5275RK-03	EAGLE for ASH3 / CO2(5%)	3,000.00
72-5276RK	EAGLE for CL2 / PH3 with internal G-92 filter	3,100.00
72-5277RK	EAGLE for H2S (0 - 30 ppm) / CO (0 - 150 ppm)	3,000.00
72-5278RK	EAGLE for LEL & PPM / CO (0 - 300 ppm) (H2 compensated CO sensor)	2,500.00
72-5279RK	EAGLE for CH4 % LEL / % volume (IR) autoranging) / NH3	3,000.00
72-5280RK	Eagle,CH4(%LEL/%Volume autoranging)/CO	2,500.00
72-5281RK	Eagle,HF/B2H6,no probe	3,000.00
72-5282RK-23AH	Eagle,LEL(ppm)/SiH4(ES-23AH)	2,500.00
72-5283RK	EAGLE for CO / O3 no probe	2,500.00
72-5284RK	Eagle,F2/AsH3(0-1ppm),no probe	3,000.00
72-5285RK	Eagle,ClO2/NH3	3,000.00
72-5286RK	Eagle,LEL(ppm)/NO2	2,500.00
72-5287RK	EAGLE for O2 / Hydrazine (N2H4) 0 - 5 ppm	2,500.00
72-5288RK	EAGLE for NO2 / HCN	3,000.00
72-5289RK	EAGLE for O2 / H2S (0 - 1000 ppm)	2,175.00
72-5290RK-02	EAGLE for CH4 IR (% LEL / % volume autoranging) / CO2 (10,000 ppm)	3,000.00
72-5290RK-05	EAGLE for CH4 (% LEL / % volume (IR) autoranging) / CO2 (60%)	3,000.00
72-5291RK	EAGLE for SO2 (with ES-238-SO2 sensor, 0 - 6 ppm) / HCN	3,000.00
72-5292RK	EAGLE for SO2 (with ES-23E-SO2 sensor, 0 - 30 ppm) / HCN	3,000.00
72-5293RK	EAGLE for F2 / HBr, (no probe)	3,000.00
72-5294RK	EAGLE for HF / NO2 (no probe)	3,000.00
72-5295RK	EAGLE for H2S (0 - 30 ppm) / NH3	3,000.00
72-5296RK	EAGLE for LEL & PPM / Cl2	2,500.00
72-5297RK	EAGLE for LEL & PPM / Cl2 (0 - 1.5 ppm), for use with HF, (no probe)	2,500.00
72-5298RK	EAGLE for LEL & PPM / Diborane (B2H6)	2,500.00
72-5299RK	EAGLE for Fluorine (F2) / Silane (SiH4), with G-92 filter and (no probe)	3,000.00
72-5300-09	Eagle,CO/HCl/HCN	3,350.00
72-5300-10	Eagle,LEL/CO(0-300 ppm H2 compensated)/NO	3,350.00
72-5300-11	Eagle,CH4(%LEL/%Vol autoranging)/Oxy/NO2	3,350.00
72-5300RK-01	Eagle,LEL/HCL/PH3	3,350.00
72-5300RK-02	Eagle,Oxy/NH3/N2H4	3,350.00
72-5300RK-04	Eagle,LEL/HCL/NH3	3,350.00
72-5300RK-05	Eagle,LEL/Oxy/H2Se,no probe	2,800.00
72-5300RK-06	Eagle,LEL/HBr/CL2	3,350.00
72-5300RK-08-03	Eagle,LEL/ClO2/CO2(0-5%)	3,350.00
72-5301RK	EAGLE for LEL & PPM / O2 / H2S	2,125.00
72-5301RK-IR	EAGLE for LEL Methane (IR) / O2/ H2S	2,800.00
72-5301RK-TT	EAGLE for LEL & PPM / O2 / H2S, tank testing version, includes float probe assembly and dilution fitting	2,450.00
72-5302RK	EAGLE for LEL & PPM / O2 / CO	2,125.00
72-5302RK-IR	EAGLE for LEL Methane (IR) / O2/ CO	2,800.00
72-5302RK-TT	EAGLE for LEL & PPM / O2 / CO tank tester version	2,425.00

Numerical Index

Part#	Description	Suggested Retail
72-5302RKT	EAGLE for LEL & PPM / O2 / CO, with teflon lined hose	2,200.00
72-5303RK	EAGLE for CO / NH3 / PH3	3,350.00
72-5304RK	EAGLE for LEL & PPM / O2 / AsH3,0 - 1.00 ppm	2,800.00
72-5304RKS	EAGLE for LEL & PPM / O2 / AsH3,0 - 0.200 ppm	2,800.00
72-5304RKS-01	EAGLE for LEL / O2 / AsH3 (0 - 0.2 ppm), w/external G-92 filter	2,950.00
72-5305RK	EAGLE for LEL & PPM / O2 / PH3	2,800.00
72-5306RK	EAGLE for LEL & PPM / O2 / O3 (no probe)	2,800.00
72-5307RK	EAGLE for LEL & PPM / O2 / NH3	2,800.00
72-5308RK	EAGLE for LEL & PPM / O2 / Cl2	2,800.00
72-5309RK	EAGLE for LEL & PPM / NO / SO2	3,350.00
72-5310RK	EAGLE for LEL & PPM / O2 / HF (no probe)	2,800.00
72-5311RK	EAGLE for LEL & PPM / O2 / HCl	2,800.00
72-5312RK	EAGLE for O2 / CO / NO2	2,800.00
72-5313RK	EAGLE for LEL & PPM / Cl2 / PH3	3,350.00
72-5314RK	EAGLE for LEL / HF / NO2, no probe	3,350.00
72-5315RK	EAGLE for LEL & PPM / O2 / CO, without charcoal filter	2,125.00
72-5316RK-01	EAGLE for LEL & PPM / O2 / CO2 (5,000 ppm)	2,800.00
72-5316RK-02	EAGLE for LEL / O2 / CO2 (10,000 ppm)	2,800.00
72-5316RK-03	EAGLE for LEL / O2 / CO2 (5%)	2,800.00
72-5316RK-04	EAGLE for LEL / Oxy / CO2 (0 - 20%)	2,800.00
72-5316RK-05	EAGLE for LEL / Oxy / CO2 (0 - 60%)	2,800.00
72-5317RK-01	EAGLE for LEL / CO / CO2 (5,000 ppm)	2,800.00
72-5317RK-02	EAGLE for LEL / CO / CO2 (10,000 ppm)	2,800.00
72-5317RK-03	EAGLE for LEL / CO / CO2 (5%)	2,800.00
72-5317RK-04	EAGLE for LEL / CO / CO2 (0 - 20% Volume)	2,800.00
72-5317RK-05	EAGLE for LEL / CO / CO2 (0 - 60%)	2,800.00
72-5319RK	EAGLE for LEL & PPM / CO / O3 (no probe)	2,800.00
72-5320RK	EAGLE for LEL & PPM / O2 / HCN	2,800.00
72-5321RK	Eagle,LEL/HF/CL2(ES-K239B),no probe	3,350.00
72-5322RK	EAGLE for LEL & PPM (catalytic) / O2 / 0 - 100% volume. CH4 (infrared)	2,800.00
72-5323RK	EAGLE for LEL & PPM / CO / HCl	2,800.00
72-5324RK	Eagle,LEL/CO/HF,no probe	2,800.00
72-5325RK-03	EAGLE for Oxy / NH3 / CO2 (5%)	3,350.00
72-5325RK-05	EAGLE for O2 / NH3 / CO2 (0 - 60%)	3,350.00
72-5326RK-01	EAGLE for O2 / CO / CO2 (5,000 ppm)	2,800.00
72-5326RK-02	EAGLE for O2 / CO / CO2 (10,000 ppm)	2,800.00
72-5326RK-03	EAGLE for O2 / CO / CO2 (5%)	2,800.00
72-5326RK-04	EAGLE for Oxy / CO / CO2 (0 - 20%)	2,800.00
72-5326RK-05	EAGLE for Oxy / CO / CO2 (0 - 60%)	2,800.00
72-5328RK	EAGLE for LEL & PPM / CO / H2S	2,125.00
72-5329RK-01	EAGLE for LEL / H2S / CO2 (0 - 5,000 ppm)	2,800.00
72-5329RK-02	EAGLE for LEL / H2S / CO2 (0 - 10,000 ppm)	2,800.00
72-5329RK-03	EAGLE for LEL / H2S / CO2 (0 - 5% Volume)	2,800.00
72-5329RK-04	EAGLE for LEL / H2S / CO2 (0 - 20% Volume)	2,800.00
72-5329RK-05	EAGLE for LEL / H2S / CO2 (0 - 60% Volume)	2,800.00
72-5330RK	EAGLE for O2 / H2S / NH3	2,800.00
72-5331RK	EAGLE for LEL & PPM / NO2 / SO2	3,350.00
72-5332RK	EAGLE for CH4 (100% LEL / 100% volume (IR) autoranging) / O2 / CO	2,800.00
72-5333RK	EAGLE for LEL / Silane (ES-23AH) / HCL (ES-23E)	3,350.00
72-5334RK	EAGLE for LEL & PPM / O2 / NO2	2,800.00
72-5335RK-01	EAGLE for CH4 (100% LEL / 100% volume (IR) autoranging) O2 / CO2 (0 - 5,000 ppm)	3,350.00
72-5335RK-02	EAGLE for CH4 (100% LEL / 100% volume (IR) autoranging) / O2 / CO2 (0 - 10,000 ppm)	3,350.00
72-5335RK-03	EAGLE for CH4 (100% LEL / 100% volume (IR) autoranging) / O2 / CO2 (0 - 5%)	3,350.00
72-5335RK-04	EAGLE for CH4 (100% LEL / 100% volume (IR) autoranging) / O2 / CO2 (0 - 20%)	3,350.00
72-5335RK-05	EAGLE for CH4 (100% LEL / 100% volume (IR) autoranging) / O2 / CO2 (0 - 60%)	3,350.00
72-5336RK	EAGLE for LEL & PPM / O2 / CH3COOH (acetic acid)	2,800.00
72-5337RK	EAGLE for CH4 (100% LEL / 100% volume (IR) autoranging) / O2 / H2S	2,800.00
72-5338RK-03	EAGLE for O2 / SO2 / CO2 (0 - 5%)	3,350.00
72-5338RK-05	EAGLE for O2 / SO2 / CO2 (0 - 60%)	3,350.00
72-5339RK	EAGLE for O2 / HCl / HBr (no probe. HBr sensor also responds to HCl)	3,350.00
72-5341RK	EAGLE for LEL & PPM / Cl2 / NH3	3,350.00

Numerical Index

Part#	Description	Suggested Retail
72-5342RK	EAGLE for CO / Cl2 / NH3	3,350.00
72-5343RK-02	EAGLE for CO / NH3 / CO2 (0 - 10,000 ppm)	3,350.00
72-5344RKS	EAGLE for LEL & PPM / Cl2 / AsH3	3,350.00
72-5345RK	EAGLE for LEL & PPM / O2 / SiH4 (23AH)	2,800.00
72-5346RK-02	EAGLE for NO / CO / CO2 (10,000 ppm)	3,350.00
72-5347RK	EAGLE for O2 / CO / SO2	2,800.00
72-5348RK	EAGLE for CH4 (100% LEL / 100% volume (IR) autoranging) / O2 / HF (no probe)	3,350.00
72-5349RKS	EAGLE for LEL & PPM / NH3 / AsH3 (0 - 0.2 ppm)	3,350.00
72-5350RK	EAGLE for LEL / HF / Si2H6, no probe	3,350.00
72-5352RK	EAGLE for CO / O3 / NO2 (no probe)	3,350.00
72-5353RK	EAGLE for CO / HS / SO2	2,850.00
72-5354RK	EAGLE for HC (100% LEL / 30% volume (IR) autoranging) / O2 / H2S (0 - 100 ppm)	2,800.00
72-5355RK	EAGLE for HC (100% LEL / 30% volume (IR) autoranging) / O2 / H2S (0 - 1,000 ppm)	3,000.00
72-5356RK	EAGLE for LEL & PPM / H2S / SO2	2,850.00
72-5357RK	EAGLE for O2 / H2S / CO	2,125.00
72-5358RK	EAGLE for O2 / HF / O3, (no probe)	3,350.00
72-5359RK-01	EAGLE for HC % LEL (IR) / O2 / CO (not for % volume HC use)	2,800.00
72-5360RK	EAGLE for H2S / CO / Cl2	2,800.00
72-5361RK	EAGLE for O2 / CO / O3	2,800.00
72-5362RK	EAGLE for CO / SO2 (with ES-23E sensor) / NO2, no H2S scrubber	3,350.00
72-5364RK	EAGLE for (LEL / % volume CH4 (IR) autoranging) / H2S / NH3	3,350.00
72-5365RK	EAGLE for (LEL / % volume CH4 (IR) autoranging) / CO / SO2 (0 - 30 ppm)	3,350.00
72-5366RK	EAGLE for (LEL & PPM / % volume CH4 (IR) Autoranging) / NH3	3,350.00
72-5367RK	EAGLE for LEL & PPM / O2 / CO (0 - 300 ppm) with H2 compensation	2,800.00
72-5368RK	EAGLE for O2 / NO2 / SO2 (0 - 15 ppm, ES-23E sensor)	3,350.00
72-5369RK	EAGLE for LEL & PPM / H2S / NH3	2,800.00
72-5370RK	EAGLE for LEL & PPM / HCl / Cl2	3,350.00
72-5371RK-01	EAGLE for O2 / H2S / CO2 (5,000 ppm)	2,800.00
72-5371RK-03	EAGLE for O2 / H2S / CO2 (0 - 5%)	2,800.00
72-5371RK-05	EAGLE for O2 / H2S / CO2 (60%)	2,800.00
72-5372RK	EAGLE for O2 / HCl / SiH4	3,350.00
72-5373RK-03	EAGLE for LEL & AsH3 (0 - 1 ppm) / CO2 (0 - 5%)	3,350.00
72-5374RK	Eagle,OXY/CO/NO,w/purafil scrubber	2,900.00
72-5375RK-01	EAGLE for LEL / CO2 (0 - 5,000 ppm) / SO2 with H2S scrubber	3,350.00
72-5376RK	EAGLE for LEL & PPM / B2H6 / PH3	3,350.00
72-5377RK-02	EAGLE for CO / NO2 / CO2 (0 - 10,000 ppm)	3,350.00
72-5379RK-05	EAGLE for CH4 (% LEL % volume (IR) autoranging) / H2S / CO2 (0 - 60%)	3,350.00
72-5380RK-01	EAGLE for O2 / HF / AsH3 (0 - 2.0 ppm), (no probe)	3,350.00
72-5380RKS	EAGLE for O2 / HF / AsH3 (0 - 0.2 ppm), with external G-92 filter and (no probe)	3,450.00
72-5381RK	EAGLE for CH4 (% LEL % volume (R) autoranging) / CO / H2S	2,800.00
72-5382RK	EAGLE for H2S / HCl / NH3	3,350.00
72-5383RK	EAGLE for O2 / O3 / NH3	3,350.00
72-5384RK-03	EAGLE for HC (100% LEL / 30% volume (IR) autoranging) / O2 / CO2 (0 - 5%)	3,350.00
72-5385RK	EAGLE for LEL & PPM / B2H6 / SiH4	3,350.00
72-5386RKS	EAGLE for LEL & PPM / HF / AsH3 (0 - 0.2 ppm) (no probe)	3,350.00
72-5387RK-05	EAGLE for LEL & PPM / O2 / ClO2 (0 - 5.00 ppm)	2,800.00
72-5388RK	EAGLE for HC (100% LEL / 30% volume (IR) autoranging) / O2 / Cl2	3,350.00
72-5389RK-05	EAGLE for CH4 (% volume (IR) autoranging) / O2 / CO2 (0 - 60%)	3,350.00
72-5390RK	EAGLE for CH4 (100% LEL / 100% volume (IR) autoranging) / O2 / HCl	3,350.00
72-5391RK	EAGLE for LEL & PPM / CO / Cl2	2,800.00
72-5392RK	EAGLE for O2 / H2S / HCl	2,800.00
72-5393RK-03	EAGLE for O2 / NO2 / CO2 (0 - 5%)	3,350.00
72-5394RK	Eagle,LEL & ppm/SO2(0-15 ppm)/CO(0-300 ppm),w/ES-23E SO2 and H2 compensated CO sensors ...	3,250.00
72-5395RK	EAGLE for LEL / PH3 / NH3	3,350.00
72-5396RK	Eagle,LEL/O3/NO2,no probe	3,350.00
72-5397RK-01	Eagle,CO/SO2/CO2(0-5,000 ppm)	3,350.00
72-5398RK	EAGLE for HC (% LEL 30% volume autoranging) / O2 / NH3	3,350.00
72-5399RK	Eagle,LEL/CO/NH3	2,800.00
72-5400-01-23E	EAGLE for LEL / O2 / HCL (ES-23E) / B2H6	3,500.00
72-5400-13	Eagle,LEL/Oxy/CO/HCL,w/H2 compensated CO	3,500.00
72-5400-14-23E	Eagle,LEL/CO/NO2/SO2(0-15 ppm, ES-23E), w/external H2S scrubber	3,600.00

Numerical Index

Part#	Description	Suggested Retail
72-5400-15	Eagle,LEL/Oxy/CO(0-300 ppm H2 compensated)/NH3	3,500.00
72-5400-16-CAT	Eagle,CH4(IR %LEL)/Oxy/H2S/CO(H2 compensated)	3,500.00
72-5400-17	Eagle,Oxy/CO/NO/NO2,w/external Puralite scrubber	3,500.00
72-5400RK-02	Eagle,LEL/Oxy/CO(0-300 ppm H2 compensated)/Cl2	3,500.00
72-5400RK-04-02	Eagle,LEL/OXY/NO/CO2 (0-10K ppm)	3,500.00
72-5400RK-05	Eagle,LEL/Oxy/H2Se/NH3,no probe	3,500.00
72-5400RK-06	Eagle,LEL/OXY/H2S/HCL	2,900.00
72-5400RK-07	Eagle,CH4(IR %LEL)/Oxy/H2S/SO2,w/ext H2S filter	3,600.00
72-5400RK-08-01	Eagle,LEL/H2S/O3/CO2(0-5,000 ppm) (no probe).....	3,500.00
72-5400RK-09-02	Eagle,Oxy/CO/HCL/CO2(0-10,000 ppm)	3,500.00
72-5400RK-10	Eagle,LEL/Oxygen/H2S/CO(H2 comp),BP configuration w/2 pumps	3,200.00
72-5400RK-10-01	Eagle,LEL/Oxygen/H2S/CO(H2 comp),w/2 pumps,NiCd batteries/115 VAC charger,datalog PCB	3,495.00
72-5400RK-11	Eagle,LEL/Oxygen/H2S/CO(H2 comp),w/internal dilution	3,050.00
72-5400RK-12-03	Eagle,Oxy/CO/F2/CO2(0-5%) (no probe)	3,500.00
72-5401RK	EAGLE for LEL & PPM / O2 / CO / H2S.....	2,250.00
72-5401RK-01	EAGLE for LEL / O2 / HS (0 - 1 ppm) / CO	2,900.00
72-5401RK-50	EAGLE for LEL & PPM / O2 / CO / H2S, Confined Space Kit with Cal-Kit all in one	3,000.00
72-5401RK-CAT	EAGLE for LEL & PPM / O2 / CO / H2S with internal LEL dilution fitting, catalyst unit	2,400.00
72-5401RK-HSRW	EAGLE for LEL / O2 / HS / CO, w/ES-87RW sensor for H2S.....	2,250.00
72-5401RK-IR	EAGLE for LEL CH4 (IR) / O2 / CO / H2S	2,900.00
72-5401RK-TT	EAGLE for LEL & PPM / O2 / CO / H2S, Tank Tester version (with float probe & dilution fitting)	2,600.00
72-5401RKT	EAGLE for LEL & PPM / O2 / CO / H2S, Teflon lined hose	2,325.00
72-5402RK	EAGLE for LEL & PPM / O2 / H2S / SO2 (with H2S filter)	2,900.00
72-5403RK	EAGLE for LEL & PPM / O2 / CO / SO2	2,900.00
72-5404RK	EAGLE for LEL & PPM / O2 / H2S / Cl2	2,900.00
72-5405RK	EAGLE for LEL & PPM / O2 / CO / Cl2	2,900.00
72-5406RK	EAGLE for LEL & PPM / O2 / Cl2 / NH3	3,500.00
72-5407RK	EAGLE for O2 / CO / Cl2 / NH3	3,500.00
72-5408RK	EAGLE for LEL & PPM / O2 / PH3 / NH3	3,500.00
72-5409RK	EAGLE for LEL & PPM / O2 / O3 / HNO3 (no probe)	3,500.00
72-5410RK	EAGLE for LEL & PPM / O2 / H2S / NH3	2,900.00
72-5411RK	Eagle,LEL & ppm/O2/HCN(0-30 ppm)/CO(0-300 ppm),w/ES-23DH HCN and H2 compensated CO sensors	3,500.00
72-5412RK	EAGLE for LEL & PPM / O2 / CO / NH3	2,900.00
72-5413RK	EAGLE for LEL & PPM / O2 / AsH3 / HF (no probe).....	3,500.00
72-5414RK	EAGLE for LEL & PPM / O2 / CO / NO2	2,900.00
72-5415RK	EAGLE for LEL & PPM / O2 / CO / NO (with scrubber for NO sensor)	2,950.00
72-5416RK-01	EAGLE for LEL / O2 / CO / CO2 (5,000 ppm)	2,900.00
72-5416RK-02	EAGLE for LEL / O2 / CO / CO2 (10,000 ppm).....	2,900.00
72-5416RK-03	EAGLE for LEL / O2 / CO / CO2 (5%)	2,900.00
72-5416RK-04	EAGLE for LEL / O2 / CO / CO2 (0 - 20%)	2,900.00
72-5416RK-05	EAGLE for LEL / O2 / CO / CO2 (0 - 60% Volume)	2,900.00
72-5417RK	EAGLE for LEL & PPM / O2 / CO / HF (no probe)	2,900.00
72-5418RK	EAGLE for LEL & PPM / O2 / CO / O3 (no probe)	2,900.00
72-5419RK	EAGLE for LEL & PPM / O2 / Cl2 / PH3	3,500.00
72-5420RK	EAGLE for LEL & PPM / O2 / HF / NH3 (no probe)	3,500.00
72-5421RK	EAGLE for LEL & PPM / O2 / CO / HCl	2,900.00
72-5422RK	EAGLE for LEL & PPM / O2 / Cl2 / SO2 (E3-23AH-CL2)	3,500.00
72-5423RK	EAGLE for LEL & PPM / CO / H2S / NO (with scrubber for NO sensor)	2,950.00
72-5424RK	EAGLE for LEL & PPM / O2 / HCl / SiH4	3,500.00
72-5425RK	EAGLE for LEL & PPM / O2 / NH3 / NO2	3,500.00
72-5426RK	EAGLE for O2 / H2S / HCl / NH3	3,500.00
72-5427RK	EAGLE for LEL & PPM / O2 / CO / PH3	2,900.00
72-5427RK-20	EAGLE for LEL & PPM / O2 / CO / PH3 (0 - 20 ppm), fumigation version	2,900.00
72-5428RK-01	EAGLE for LEL / H2S / NH3 / CO2 (0 - 5,000 ppm)	3,500.00
72-5429RK	EAGLE for LEL & PPM / O2 / HCl / NH3	3,500.00
72-5430RK-05	Eagle,LEL/OXY/NO2/CO2(0-60%)	3,300.00
72-5431RK	Eagle,LEL/CO/NO/NO2	3,500.00
72-5432RK	EAGLE for LEL & PPM / O2 / O3 / Cl2 (no probe), (O3 & Cl2 cross interference)	3,500.00
72-5433RK	EAGLE for LEL & PPM / O2 / NH3 / SiH4	3,500.00
72-5434RK	EAGLE for LEL & PPM / O2 / SO2 / HCN	3,500.00

Numerical Index

Part#	Description	Suggested Retail
72-5435RK	EAGLE for LEL & PPM / O2 / O3 / HCl (no probe) (O3 & HCl cross interference)	3,500.00
72-5436RK	EAGLE for LEL & PPM / CO / NH3 / HF (no probe)	3,500.00
72-5437RK	Eagle,LEL/OXY/B2H6(0-0.3 ppm)/NH3	3,500.00
72-5438RK	EAGLE for LEL & PPM / O2 / CO (without charcoal filter)/100% volume CH4 (IR)	2,900.00
72-5439RK-01	EAGLE for LEL / O2 / H2S / CO2 (5,000 PPM)	2,900.00
72-5439RK-02	EAGLE for LEL / O2 / H2S / CO2 (10,000 PPM)	2,900.00
72-5439RK-03	EAGLE for LEL / O2 / H2S / CO2 (5%)	2,900.00
72-5439RK-04	EAGLE for LEL / O2 / H2S / CO2 (0 - 20%)	2,900.00
72-5439RK-05	EAGLE for LEL / O2 / H2S / CO2 (0 - 60%)	2,900.00
72-5440RK	EAGLE for LEL & PPM / O2 / HCl / PH3	3,500.00
72-5441RK	EAGLE for LEL & PPM (catalytic) / O2 / CO / 0 - 100% volume CH4 (infrared)	2,900.00
72-5442RK	EAGLE for LEL & PPM (catalytic) / 100% volume CH4 (IR) / O2/ H2S	2,900.00
72-5443RK	EAGLE for LEL & PPM / O2 / H2S / HF (no probe)	2,900.00
72-5444RK	EAGLE for O2 / CO / NO2 / HCN	3,500.00
72-5445RK	EAGLE for LEL & PPM O2 / CO / HF / NH3 (no probe)	3,500.00
72-5446RK-01	EAGLE for LEL / O2 / HCl / CO2 (5,000 ppm)	3,500.00
72-5447RK-02	EAGLE for LEL / O2 / Cl2 / CO2 (10,000 ppm)	3,500.00
72-5447RK-03	EAGLE for LEL / O2 / Cl2 / CO2 (5%)	3,500.00
72-5448RK-02	EAGLE for LEL / O2 / NH3 / CO2 (0 - 10,000 ppm)	3,500.00
72-5448RK-03	EAGLE for LEL / O2 / NH3 / CO2 (5%)	3,500.00
72-5448RK-04	EAGLE for LEL / O2 / NH3 / CO2 (0 - 20%)	3,500.00
72-5448RK-05	EAGLE for LEL / O2 / NH3 / CO2 (60%)	3,500.00
72-5449RK	EAGLE for LEL & PPM / O2 / HCl / HCN	3,500.00
72-5450RK	Eagle,CH4(%LEL/%Vol autoranging)/Oxy/H2S/NH3	3,500.00
72-5451RK	EAGLE for CH4 (100% LEL / 100% volume (IR) autoranging) / O2/ CO / H2S	2,900.00
72-5452RK	EAGLE for LEL & PPM / O2 / CO / HCN	2,900.00
72-5453RK-02	EAGLE for LEL / O2 / CO2 (0 - 10,000 ppm) / SO2,std ftg / hose	3,500.00
72-5453RK-03	EAGLE for LEL / O2 / CO2 (0 - 5%) / SO2,std ftg / hose	3,500.00
72-5454RK	Eagle,LEL/H2S/CO/NH3	2,900.00
72-5455RK-01	EAGLE for LEL / H2S / CO / CO2 (0 - 5,000 ppm)	2,900.00
72-5455RK-02	EAGLE for LEL / H2S / CO / CO2 (0 - 10,000 ppm)	2,900.00
72-5455RK-03	EAGLE for LEL / H2S / CO / CO2 (0 - 5% Volume)	2,900.00
72-5456RK	EAGLE for LEL / O2 / CO / B2H6	2,900.00
72-5457RK	EAGLE,CH4(TC %volume)/Oxy/H2S/CO	3,500.00
72-5458RK	EAGLE for LEL & PPM / O2 / H2S / O3 (no probe)	2,900.00
72-5459RK-01	EAGLE for CH4 (100% LEL / 100% volume (IR) autoranging) / O2 / CO / CO2 (0 - 5,000 ppm)	3,500.00
72-5459RK-02	Eagle,CH4(%vol/%LEL autoranging)/Oxy/CO/CO2(0-10,000 ppm)	3,300.00
72-5459RK-03	EAGLE for CH4 (100% LEL / 100% volume (IR) autoranging) / O2 / CO / CO2 (0 - 5%	3,500.00
72-5459RK-04	EAGLE for CH4 (% LEL / % volume (IR) autoranging) / O2 / CO / CO2 (0 - 20%)	3,500.00
72-5459RK-05	EAGLE for CH4 (% LEL % volume (IR) autoranging) / O2 / CO / CO2 (0 - 60%)	3,500.00
72-5460RK-03	EAGLE for O2 / CO / NO2 / CO2 (0 - 5%), w/std inlet ftg	3,500.00
72-5461RK	EAGLE for LEL & PPM / O2 / HCl / AsH3 (0 - 1.0 ppm)	3,500.00
72-5461RKS	EAGLE for LEL & PPM / O2 / HCl / AsH3 (0 - 0.2 ppm)	3,500.00
72-5462RK	EAGLE for LEL & PPM / O2 / NO / HCl	3,500.00
72-5463RK-01	EAGLE for O2 / CO / CO2 (0 - 5,000 ppm) / HCN	3,500.00
72-5463RK-03	EAGLE for O2 / CO / CO2 (0 - 5%) / HCN	3,500.00
72-5464RK	EAGLE for LEL / % volume CH4 (IR) autoranging / O2/ CO / NH3	3,500.00
72-5465RK	EAGLE for LEL & PPM / O2 / HF / SiH4 (no probe)	3,500.00
72-5466RK	EAGLE for LEL & PPM / O2 / SiH4 / NO2	3,500.00
72-5467RK	EAGLE for LEL & PPM / O2 / B2H6 / F2 (no probe)	3,500.00
72-5468RK-01	EAGLE for CH4 (100% LEL / 100% volume (IR) autoranging) / O2 / H2S / CO2 (0 - 5,000 ppm)	3,500.00
72-5468RK-02	EAGLE for CH4 (100% LEL / 100% volume (IR) autoranging) / O2 / H2S / CO2 (0 - 10,000 ppm)	3,500.00
72-5468RK-03	EAGLE for CH4 (% LEL / %volume (IR) autorange) / O2 / H2S / CO2 (0 - 5%)	3,500.00
72-5468RK-04	EAGLE for CH4 (% LEL / % volume (IR) autorange) O2 / H2S / CO2 (0 - 20%)	3,500.00
72-5468RK-05	EAGLE for CH4 (% LEL / % volume (IR) autorange) / O2 / H2S / CO2 (0 - 60%)	3,500.00
72-5469RK	EAGLE for O2 / CO / H2S / NH3	2,900.00
72-5470RK	EAGLE for LEL & PPM / O2 / AsH3 / SO2	3,500.00
72-5471RK-01	EAGLE for LEL & PPM / O2 / PH3 / SiH4 with ES-23AH sensor	3,500.00
72-5472RK-01	Eagle,Oxy/CO/SO2/CO2(0 - 5,000 ppm)	3,500.00
72-5472RK-03	EAGLE for O2 / CO / SO2 / CO2 (5%)	3,500.00
72-5473RK	EAGLE for LEL & PPM / O2 / CO / ClO2	2,900.00

Numerical Index

Part#	Description	Suggested Retail
72-5474RK-01	EAGLE for LEL (catalytic) / % Volume CH4 (IR) / O2 / CO2	3,500.00
72-5474RK-02	EAGLE for LEL (catalytic) / % Volume CH4 (IR) / O2/ CO2	3,500.00
72-5474RK-03	EAGLE for LEL (catalytic) / % Volume CH4 (IR) / O2 / CO2	3,500.00
72-5474RK-04	EAGLE for LEL (catalytic) / % Volume CH4 (IR) / O2 / CO2 (0 - 20%)	3,500.00
72-5474RK-05	EAGLE for LEL (catalytic) / % Volume CH4 (IR) / O2 / CO2 (0 - 60%)	3,500.00
72-5475RK	EAGLE for LEL & PPM / O2 / H2S / NO (with H2S scrubber)	2,900.00
72-5476RK	EAGLE for LEL & PPM / O2 / SO2 (0 - 15 ppm) / NO2,with H2S scrubber	3,500.00
72-5477RK-01	EAGLE for LEL / O2 / O3 / CO2 (0 - 5,000 ppm), (no probe)	3,500.00
72-5477RK-03	EAGLE for LEL / O2 / O3 / CO2 (0 - 5%), (no probe)	3,500.00
72-5478RK	EAGLE for LEL & PPM / O2 / CO / H2S, with H2 compensated CO sensor.....	2,900.00
72-5478RK-11	Eagle,LEL(H2)/Oxy/CO/H2S,w/H2 comp CO,w/internal LEL dilution	3,000.00
72-5479RK	EAGLE for LEL / % volume CH4 (IR autoranging) / O2/ CO / O3	3,500.00
72-5480RK	EAGLE for LEL & PPM / O2 / B2H6 / NO2 (no probe)	3,500.00
72-5481RK	EAGLE for LEL & PPM / O2 / HF / NO (no probe), with external G-92 filter	3,600.00
72-5482RK	EAGLE for CO / H2S / Cl2 / NH3	3,500.00
72-5483RK	EAGLE for LEL & PPM / CO / O3 / NO2 (no probe)	3,500.00
72-5484RK-01	EAGLE for O2 / HS / CO / CO2 (5,000 ppm)	2,900.00
72-5484RK-02	EAGLE for O2/ HS / CO / CO2 (10,000 ppm)	2,900.00
72-5484RK-03	EAGLE for O2 / HS / CO / CO2 (0 - 5% Volume)	2,900.00
72-5485RK	EAGLE for LEL / O2 / CO / AsH3 (0 - 1 ppm)	2,900.00
72-5485RKS	EAGLE for LEL & PPM / O2 / CO / AsH3 (0 -.2 ppm)	2,900.00
72-5486RKS	EAGLE for LEL & PPM / O2 / Cl2 / AsH3 (0 - 0.2 ppm), with external G-92 filter	3,600.00
72-5487RK	EAGLE for HC 100% LEL (IR) / O2 / CO / H2S (not for % volume HC use)	2,900.00
72-5488RK	EAGLE for LEL & PPM / O2 / HCN / PH3, with external G-92 filter	3,600.00
72-5489RK	EAGLE for CH4 (100% LEL / 100 % volume (IR) autoranging) / O2 / H2S / SO2 with external H2S filter ...	3,600.00
72-5490RK	EAGLE for CH4 (100% LEL / 100% volume (IR) autoranging) / O2 / CO / AsH3 (0 - 1 ppm), with external G-92 filter	3,600.00
72-5491RK-01	EAGLE for LEL / O2 / ClO2 / CO2 (0 - 5,000 ppm)	3,500.00
72-5492RK-03	EAGLE for O2 / CO / NH3 / CO2 (0 - 5%).....	3,500.00
72-5493RK-03	EAGLE for HC (100% LEL / 30 % volume (IR) autoranging) O2 / H2S / CO2 (0 - 5%)	3,500.00
72-5494RK-02	EAGLE for O2 / H2S / NH3 / CO2 (0 - 10,000 ppm).....	3,500.00
72-5495RK	EAGLE for LEL & PPM / O2 / F2 / SiH4 with external G-92 filter (no probe)	3,600.00
72-5496RK	EAGLE for LEL & PPM (catalytic) / 100% volume CH4 (IR sensor) / O2 / CO (H2 compensated)	3,500.00
72-5497RK	EAGLE for LEL & PPM / O2 / HCl (ES-23E sensor) / Cl2 (ES-239B sensor)	3,500.00
72-5498RKS	EAGLE for LEL & PPM / O2 / O3 / ASH3 (0 - 0.2 ppm) with external G-92 filter	3,600.00
72-5499RKS	EAGLE for LEL & PPM / O2 / ASH3 (0 - 0.2 ppm) / NH3	3,500.00
72-5501RK	EAGLE for LEL & PPM / O2 / CO / H2S / SO2 (with H2S filter)	3,050.00
72-5502RK	EAGLE for LEL & PPM / O2/ CO / H2S / Cl2	3,050.00
72-5503RK	EAGLE for LEL & PPM / O2 / CO / H2S / NH3	3,050.00
72-5503RK-01	EAGLE for LEL & PPM / O2 / CO / H2S (0 - 30 ppm) / NH3	3,750.00
72-5504RK-01	EAGLE for LEL / O2 / HS / CO / CO2 (5,000 ppm)	3,050.00
72-5504RK-02	EAGLE for LEL / O2 / HS / CO / CO2 (10,000 ppm)	3,050.00
72-5504RK-03	EAGLE for LEL / O2 / HS / CO / CO2 (0 - 5%)	3,050.00
72-5506RK	EAGLE for LEL & PPM / O2 / CO / Cl2 / NH3	3,750.00
72-5508RK	EAGLE for LEL & PPM / O2 / CO / H2S / HCl	3,050.00
72-5509RK	EAGLE for LEL & PPM / O2 / CO / H2S / O3 (no probe)	3,050.00
72-5510RK	Eagle,LEL/Oxy/CO/NO/SO2(ES-23E)	3,850.00
72-5512RK	EAGLE for LEL & PPM / O2 / H2S / HF / NH3 (no probe)	3,750.00
72-5513RK-01	EAGLE for LEL / O2 / CO / NO2 / CO2 (5,000 ppm)	3,750.00
72-5513RK-02	EAGLE for LEL / O2 / CO / NO2 / CO2 (10,000 ppm)	3,750.00
72-5513RK-03	EAGLE for LEL / O2 / CO / NO2 / CO2 (5%).....	3,750.00
72-5514RK	EAGLE for LEL & PPM / O2 / CO / HCl / NH3	3,750.00
72-5515RK	EAGLE for LEL & PPM / O2 / CO / HCl / AsH3 (0 - 1.0 ppm)	3,750.00
72-5515RKS	EAGLE for LEL & PPM / O2 / CO / HCl / AsH3 (0 - 0.2 ppm)	3,750.00
72-5518RK	EAGLE for LEL & PPM / O2 / CO / HCN / AsH3 (0 - 1.0 ppm)	3,750.00
72-5520RK-01	EAGLE for LEL / O2 / CO / CO2 (0 - 5,000 ppm) / NH3	3,750.00
72-5520RK-02	EAGLE for LEL / O2 / CO / CO2 (0 - 10,000 ppm) / NH3	3,750.00
72-5520RK-03	EAGLE for LEL / O2 / CO / CO2 (0 - 5%) / NH3	3,750.00
72-5521RK-03	EAGLE for LEL / O2 / CO / CO2 (0 - 5%) / PH3	3,750.00
72-5523RK-01	EAGLE for LEL / O2 / H2S / CO2 (0 - 5,000 ppm) / NH3	3,750.00
72-5523RK-02	EAGLE for LEL / O2 / H2S / CO2 (0 - 10,000 ppm) / NH3	3,750.00

Numerical Index

Part#	Description	Suggested Retail
72-5524RK	EAGLE for LEL & PPM / O2 / CO / HCl / PH3	3,750.00
72-5525RK	EAGLE for LEL & PPM / O2 / CO / H2S / HF (no probe)	3,050.00
72-5526RK	EAGLE for LEL & PPM / O2/ H2S / NH3 / Cl2 (E3-23AH-CL2)	3,750.00
72-5526RK-01	EAGLE for LEL / O2 / H2S / NH3 / Cl2 (K233)	3,750.00
72-5527RK-02	EAGLE for LEL / O2 / CO / CL2 / CO2 (0 - 10,000 ppm)	3,750.00
72-5527RK-03	EAGLE for LEL / O2 / CO / CL2 / CO2 (0 - 5,000 ppm)	3,750.00
72-5528RK	EAGLE for LEL & PPM / O2 / CO / NH3 / PH3	3,750.00
72-5529RK	EAGLE for LEL & PPM / O2 / CO / H2S / F2 (no probe)	3,050.00
72-5531RK	EAGLE for O2 / CO / H2S / HF / NH3 (no probe)	3,750.00
72-5532RK	EAGLE for LEL & PPM / O2 / CO / NO2 / HF (no probe)	3,750.00
72-5533RK	EAGLE for LEL & PPM / O2 / CO / HCN / NH3	3,750.00
72-5534RK-02	EAGLE for LEL & PPM / O2 / CO / AsH3 / CO2 (10,000 ppm)	3,750.00
72-5535RK	EAGLE for LEL & PPM / O2 / CO / O3 / HCN (no probe)	3,750.00
72-5536RK	EAGLE for LEL & PPM / O2 / CO / HF / NH3, (no probe)	3,750.00
72-5537RK	EAGLE for LEL & PPM / O2 / CO / NH3 / SO2, with external H2S scrubber	3,850.00
72-5538RK-03	EAGLE for O2 / HS / CO / NH3 / CO2 (0 - 5%)	3,750.00
72-5539RK	EAGLE for LEL & PPM / O2 / CO / Cl2 / SiH4	3,750.00
72-5540RKS	EAGLE for LEL & PPM / O2 / CO / AsH3 (0 - 0.2 ppm) / NH3	3,750.00
72-5541RK	EAGLE for LEL & PPM / O2 / CO / HCl / B2H6	3,750.00
72-5542RK	EAGLE for LEL & PPM / O2 / CO / HF / HCN (no probe)	3,750.00
72-5543RK	EAGLE for LEL & PPM / O2 / CO / HCl / SO2 with external H2S scrubber	3,850.00
72-5544RK	EAGLE for LEL & PPM / O2 / CO / NO2 / SO2 (ES-23E sensor) with external H2S scrubber	3,850.00
72-5545RK	EAGLE for LEL & PPM / O2 / CO / O3 / NO2 (no probe)	3,750.00
72-5546RK	EAGLE for LEL & PPM / O2 / CO / HBr / Br2	3,750.00
72-5549RK	EAGLE for LEL & PPM / O2 / H2S / O3 / HNO3 (no probe)	3,750.00
72-5550RK	EAGLE for LEL / O2 / CO Cl2 / PH3, w/external G-92	3,900.00
72-5552RK	EAGLE for LEL & PPM / O2 / CO / HF / GeH4 (no probe)	3,750.00
72-5553RK-02	Eagle,LEL/Oxy/CO/NO/CO2(0-10,000 ppm),w/3-gas block & internal charcoal/purafil scrubber	3,750.00
72-5554RK-03	Eagle,LEL/Oxy/CO/H2S(0-1.00 ppm)/CO2(0-5%)	3,650.00
72-5555RK	Eagle,LEL/Oxy/CO/HCL(ES-23E)/CL2(ES-K233)	3,650.00
72-5556RK	Eagle,LEL/H2S/CO/NH3/NO2,w/external H2S scrubber	3,850.00
72-5557RKS	EAGLE for LEL / O2 / CO / Cl2 / AsH3 (0 - 0.2 ppm), w/external G-92	3,900.00
72-5558RK	Eagle,LEL/Oxy/CO/O3/NH3,no probe	3,750.00
72-5559RK	Eagle,Oxy/H2S/CO/NH3,CL2	3,750.00
72-5560	Eagle,LEL/OXY/CO/NH3/NO2.....	3,750.00
72-5561	Eagle,LEL/OXY/H2S/CO/HNO3	3,050.00
72-5562	Eagle,LEL/Oxy/H2S/CO(H2 compensated)/SO2,w/external H2S scrubber	3,850.00
72-5563	Eagle,LEL/Oxy/CO/HBr/SO2(ES-23E)	3,750.00
72-5601RK	EAGLE for LEL & PPM / O2 / CO / H2S / Cl2 / NH3	3,900.00
72-5602RK	EAGLE for LEL & PPM / O2 / CO / H2S / HCl / NH3	3,900.00
72-5607RK	EAGLE for LEL & PPM / O2 / CO / H2S / HF / NH3 (no probe)	3,900.00
72-5608RK-01	EAGLE for LEL / O2 / H2S / CO / NH3 / CO2 (0 - 5,000 ppm)	3,900.00
72-5608RK-02	EAGLE for LEL / O2 / H2S / CO / NH3 / CO2 (0 - 10,000 ppm)	3,900.00
72-5608RK-03	EAGLE for LEL / O2 / CO / HS / NH3 / CO2 (5%)	3,900.00
72-5612RK-02	EAGLE for LEL & PPM / O2 / CO / H2S / Cl2 / CO2 (10,000 ppm)	3,900.00
72-5612RK-03	EAGLE for LEL / O2 / H2S / CO / CL2 / CO2 (0 - 5%)	3,900.00
72-5613RK-05	EAGLE for LEL & PPM / O2 / CO / H2S / ClO2 / SO2 (with external H2S scrubber)	4,000.00
72-5614RK	EAGLE for LEL & PPM / O2 / CO / H2S / HCl / NO	4,000.00
72-5616RK-02	EAGLE for LEL / O2 / H2S / CO / SO2 / CO2 (0 - 10,000), ext HS fltr	4,000.00
72-5616RK-03	EAGLE for LEL / O2 / H2S / CO / SO2 / CO2 (0 - 5%), w/ext H2S fltr	4,000.00
72-5617RK	EAGLE for LEL & PPM / O2 / CO / H2S / SO2 / NH3 (with external H2S scrubber)	4,000.00
72-5618RK	EAGLE for LEL & PPM / O2 / CO / HS / HF / Cl2 (no probe)	3,900.00
72-5619RK	EAGLE for LEL & PPM / O2 / CO / H2S / HBr / NH3	3,900.00
72-5620RK-03	EAGLE for LEL / O2 / H2S / CO / HCl / CO2 (0 - 5%)	4,000.00
72-5621RK	EAGLE for LEL & PPM / O2 / CO / H2S / Cl2 (ES-K239B sensor) / SO2 (with external H2S scrubber)	4,000.00
72-5622RK	EAGLE for LEL & PPM / O2 / CO / H2S / HF / NO2 (with external H2S scrubber) and (no probe).....	4,000.00
72-5624RK	EAGLE for LEL & PPM / O2 / CO / H2S / O3 / NH3 (no probe)	3,900.00
72-5625RK	Eagle,LEL/Oxy/H2S/CO/SO2/O3,w/ext H2S scrubber,no probe	4,000.00
72-6AAE-A	GX-6000,LEL/Oxy/H2S/CO/VOC(0-50000 ppb)/IR CO2(10Kppm),w/alkaline battery pack.....	3,745.00
72-6AAL-A	GX-6000,LEL/Oxy/H2S/CO/VOC(0-50000 ppb)/HCN(0-15.0 ppm),w/alkaline battery pack	3,555.00
72-6AAX-A	GX-6000,LEL/Oxy/H2S/CO/VOC(0-50000 ppb),w/alkaline battery pack	3,295.00

Numerical Index

Part#	Description	Suggested Retail
72-6AAX-B	GX-6000,LEL/Oxy/H2S/CO/VOC(0-50000 ppb),w/alk batt pack/Li-Ion batt pack/100-240 VAC chgr	3,670.00
72-6AAX-C	GX-6000,LEL/Oxy/H2S/CO/VOC(0-50000 ppb),w/Li-ion battery pack/100-240 VAC charger	3,545.00
72-6AAX-E	GX-6000,LEL/Oxy/H2S/CO/VOC(0-50000 ppb),w/alk batt pack/Li-Ion batt pack/12 VDC chgr	3,670.00
72-6ABC-B	GX-6000,LEL/O2/HS/CO/VOC(0-6000 ppm)/IR CH4 autorange,alk pack/Li-Ion pack/100-240 VAC chgr	3,670.00
72-6ABD-B	GX-6000,LEL/O2/HS/CO/VOC(0-6000 ppm)/IR HC autorange,alk pack/Li-Ion pack/100-240 VAC chgr ...	3,670.00
72-6ABE-A	GX-6000,LEL/Oxy/H2S/CO/VOC(0-6000 ppm)/IR CO2(10Kppm),w/alkaline battery pack	3,345.00
72-6ABE-C	GX-6000,LEL/Oxy/H2S/CO/VOC(0-6000 ppm)/IR CO2(10Kppm),w/Li-ion pack/100-240 VAC charger ...	3,595.00
72-6ABF-B	GX-6000,LEL/O2/HS/CO/VOC(0-6000 ppm)/IR CO2(0-5%),alk pack/Li-Ion pack/100-240 VAC chgr	3,720.00
72-6ABF-C	GX-6000,LEL/Oxy/H2S/CO/VOC(0-6000 ppm)/IR CO2(5%),w/Li-ion pack/100-240 VAC charger	3,595.00
72-6ABF-E	GX-6000,LEL/Oxy/H2S/CO/VOC(0-6000 ppm)/IR CO2 (5%),w/alk batt pk/Li-Ion batt pk/12 VDC chgr ...	3,720.00
72-6ABI-A	GX-6000,LEL/Oxy/H2S/CO/VOC(0-6000 ppm)/SO2,w/alkaline battery pack	3,155.00
72-6ABI-B	GX-6000,LEL/O2/HS/CO/VOC(0-6000 ppm)/SO2(0-6.00 ppm),alk pack/Li-Ion pack/100-240 VAC chgr	3,530.00
72-6ABI-C	GX-6000,LEL/Oxy/H2S/CO/VOC(0-6000 ppm)/SO2,w/Li-ion battery pack/100-240 VAC charger	3,405.00
72-6ABI-C-50	GX-6000 bundle w/Li-ion battery pack/100-240 VAC chgr/small padded carrying case	3,485.00
72-6ABK-C	GX-6000,LEL/Oxy/H2S/CO/VOC(0-6000 ppm)/NO2,w/Li-ion battery pack/100-240 VAC charger	3,405.00
72-6ABL-A	GX-6000,LEL/Oxy/H2S/CO/VOC(0-6000 ppm)/HCN,w/alkaline battery pack	3,155.00
72-6ABL-B	GX-6000,LEL/Oxy/H2S/CO/VOC(0-6000 ppm)/HCN,w/alk and Li-ion bat pack/100-240 VAC charger ...	3,530.00
72-6ABL-C	GX-6000,LEL/Oxy/H2S/CO/VOC(0-6000 ppm)/HCN,w/Li-ion battery pack/100-240 VAC charger	3,405.00
72-6ABM-B	GX-6000,LEL/O2/HS/CO/VOC(0-6000 ppm)/NH3,with alkaline pack/Li-Ion pack/100-240 VAC chgr.....	3,530.00
72-6ABM-C	GX-6000,LEL/Oxy/H2S/CO/VOC(6000 ppm)/NH3(400 pp),w/Li-ion battery pack/100-240 VAC charger	3,405.00
72-6ABP-B	GX-6000,LEL/Oxy/H2S/CO/VOC(0-6000 ppm)/Cl2,w/alk and Li-ion bat pack/100-240 VAC charger	3,530.00
72-6ABP-C	GX-6000,LEL/Oxy/H2S/CO/VOC(0-6000 ppm)/CL2,w/Li-ion battery pack/100-240 VAC charger	3,405.00
72-6ABX-A	GX-6000,LEL/Oxy/H2S/CO/VOC(0-6000 ppm),w/alkaline battery pack	2,895.00
72-6ABX-B	GX-6000,LEL/Oxy/H2S/CO/VOC(0-6000 ppm),w/alk batt pack/Li-Ion batt pack/100-240 VAC charger ...	3,270.00
72-6ABX-C	GX-6000,LEL/Oxy/H2S/CO/VOC(0-6000 ppm),w/Li-ion battery pack/100-240 VAC charger	3,145.00
72-6ABX-C-50	GX-6000,LEL/Oxy/H2S/CO/VOC(0-6000 ppm),w/Li-ion battery pack/100-240 VAC charger,case	3,225.00
72-6ABX-C-51	GX-6000,LEL/Oxy/H2S/CO/VOC(0-6000 ppm),w/Li-ion battery pack/100-240 VAC charger,cal kit,case	3,765.00
72-6ABX-G	GX-6000,LEL/Oxy/H2S/CO/VOC(6000ppm),w/alk & Li-ion batt packs/100-240 VAC & 12 VDC charger ...	3,290.00
72-6ACX-C	GX-6000,LEL/Oxy/H2S/CO/IR CH4 autorange,w/Li-ion battery pack/100-240 VAC charger	2,345.00
72-6ADF-C	GX-6000,LEL/Oxy/H2S/CO/IR HC autorange/CO2(5.00 %vo),w/Li-ion batt pack/100-240 VAC chgr	2,795.00
72-6AEK-C	GX-6000,LEL/Oxy/H2S/CO/CO2(10,000 ppm)/NO2(9.00 ppm),w/Li-ion battery pack/100-240 VAC chgr	2,655.00
72-6AFK-C	GX-6000,LEL/Oxy/H2S/CO/CO2(5.00 %vo)/NO2(9.00 ppm),w/Li-ion battery pack/100-240 VAC chgr ...	2,655.00
72-6AFX-A	GX-6000,LEL/Oxy/H2S/CO/CO2(0-5%),w/alkaline battery pack	2,145.00
72-6AFX-C	GX-6000,LEL/Oxy/H2S/CO/CO2(0-5%),w/Li-ion battery pack/100-240 VAC charger	2,395.00
72-6AIL-C	GX-6000,LEL/Oxy/H2S/CO/SO2(0-6.00 ppm)/HCN(0-15.0 ppm),w/Li-ion battery pack/100-240 VAC chgr	2,465.00
72-6AIM-A	GX-6000,LEL/Oxy/H2S/CO/SO2(0-6.00ppm)/NH3(0-75.0 ppm),w/alkaline battery pack	2,215.00
72-6AIX-A	GX-6000,LEL/Oxy/H2S/CO/SO2,w/alkaline battery pack	1,955.00
72-6AIX-B	GX-6000,LEL/Oxy/H2S/CO/SO2(0-6.00 ppm),w/alk batt pack/Li-Ion batt pack/100-240 VAC charger ...	2,330.00
72-6AIX-C	GX-6000,LEL/Oxy/H2S/CO/SO2(0-6.00 ppm),w/Li-ion battery pack/100-240 VAC charger	2,205.00
72-6AIX-D	GX-6000,LEL/Oxy/H2S/CO/SO2(0-6.00 ppm),w/Li-Ion batt pack/12 VDC chgr	2,205.00
72-6AKL-A	GX-6000,LEL/Oxy/H2S/CO/NO2(0-9.00 ppm)/HCN(0-15.00ppm),w/alkaline battery pack	2,215.00
72-6AKL-C	GX-6000,LEL/Oxy/H2S/CO/NO2(0-9.00 ppm)/HCN(0-15.0 ppm),w/Li-ion battery pack/100-240 VAC chgr	2,465.00
72-6AKX-C	GX-6000,LEL/Oxy/H2S/CO/NO2 0-9.00 ppm),w/Li-ion battery pack/100-240 VAC charger	2,205.00
72-6ALM-C	GX-6000,LEL/Oxy/H2S/CO/HCN(15.0 ppm)/NH3(400 ppm),w/Li-ion battery pack/100-240 VAC charger	2,465.00
72-6ALX-A	GX-6000,LEL/Oxy/H2S/CO/HCN,w/alkaline battery pack	1,955.00
72-6ALX-B	GX-6000,LEL/Oxy/H2S/CO/HCN(0-15.00 ppm),w/alk batt pack/Li-Ion batt pack/100-240 VAC chgr	2,330.00
72-6ALX-C	GX-6000,LEL/Oxy/H2S/CO/HCN(0-15.0 ppm),w/Li-ion battery pack/100-240 VAC charger	2,205.00
72-6ALX-E	GX-6000,LEL/Oxy/H2S/CO/HCN(0-15.0 ppm),w/alk batt pack/Li-Ion batt pack/12 VDC chgr	2,330.00
72-6AMX-B	GX-6000,LEL/Oxy/H2S/CO/NH3(0-400 ppm),w/alk batt pack/Li-Ion batt pack/100-240 VAC chgr	2,330.00
72-6AMX-C	GX-6000,LEL/Oxy/H2S/CO/NH3(0-400 ppm),w/Li-ion battery pack/100-240 VAC charger	2,205.00
72-6API-F	GX-6000,LEL/Oxy/H2S/CO/CL2(10.0 ppm)/SO2(6.00 ppm),Li-Ion batt pack,100-240 VAC/12 VDC chgr	2,485.00
72-6APL-C	GX-6000,LEL/Oxy/H2S/CO/Cl2(0-10.0 ppm)/HCN(0-15 ppm),w/Li-ion battery pack/100-240 VAC chgr	2,465.00
72-6APM-B	GX-6000,LEL/Oxy/H2S/CO/NH3/Cl2,with alkaline batt pack/Li-Ion batt pack/100-240 VAC chgr	2,590.00
72-6APX-B	GX-6000,LEL/Oxy/H2S/CO/Cl2(0-10.0 ppm),w/alk batt pack/Li-Ion batt pack/100-240 VAC chgr	2,330.00
72-6APX-C	GX-6000,LEL/Oxy/H2S/CO/Cl2(0-10.0 ppm),w/Li-ion battery pack/100-240 VAC charger	2,205.00
72-6APX-F	GX-6000,LEL/Oxy/H2S/CO/CL2(10.0 ppm),Li-Ion batt pack,100-240 VAC/12 VDC chgr	2,225.00
72-6AXX-A	GX-6000,LEL/Oxy/H2S/CO,w/alkaline battery pack	1,695.00
72-6AXX-A-51	GX-6000,LEL/Oxy/H2S/CO,w/alkaline battery pack,/34L 4-gas/DFR/tubing/case	2,260.00
72-6AXX-B	GX-6000,LEL/Oxy/H2S/CO,w/alkaline battery pack/Li-Ion battery pack/100-240 VAC charger	2,070.00
72-6AXX-C	GX-6000,LEL/Oxy/H2S/CO,w/Li-ion battery pack/100-240 VAC charger	1,945.00
72-6AXX-C-50	GX-6000,LEL/Oxy/H2S/CO,w/Li-ion battery pack/100-240 VAC charger,w/case	2,025.00

Numerical Index

Part#	Description	Suggested Retail
72-6AXX-C-51	GX-6000,LEL/Oxy/H2S/CO,w/Li-ion battery pack/100-240 VAC charger,w/cal kit,case	2,510.00
72-6BBL-C	GX-6000,LEL/Oxy/CO/VOC(0-6000 ppm)/HCN(0-15.0 ppm),w/Li-ion battery pack/100-240 VAC chgr ...	3,355.00
72-6BBX-A	GX-6000,LEL/Oxy/CO/VOC(0-6000 ppm),w/alkaline battery pack	2,845.00
72-6BBX-C	GX-6000,LEL/Oxy/CO/VOC(0-6000 ppm),w/Li-ion battery pack/100-240 VAC charger	3,095.00
72-6BEX-A	GX-6000,LEL/Oxy/CO/CO2(0-10,000 ppm), w/alkaline battery pack	2,095.00
72-6BFX-A	GX-6000,LEL/Oxy/CO/CO2(0-5%),w/alkaline battery pack	2,095.00
72-6BIL-C	GX-6000,LEL/Oxy/CO/SO2(0-6.00 ppm)/HCN(0-15.0 ppm),w/Li-ion batt pack/100-240 VAC charger ...	2,415.00
72-6BLX-C	GX-6000,LEL/Oxy/CO/HCN(0-15.0 ppm),w/Li-ion batt pack/100-240 VAC charger	2,155.00
72-6BPX-A	GX-6000,LEL/Oxy/CO/Cl2(0-10.0 ppm), w/alkaline battery pack	1,905.00
72-6BPX-C	GX-6000,LEL/Oxy/CO/CL2(0-10.0 ppm),w/Li-ion batt pack/100-240 VAC charger	2,155.00
72-6BXX-A	GX-6000,LEL/Oxy/CO,w/alkaline battery pack	1,645.00
72-6BXX-C	GX-6000,LEL/Oxy/CO,w/Li-ion batt pack/100-240 VAC charger	1,895.00
72-6CIM-C	GX-6000,LEL/Oxy/H2S/SO2(0-6.00 ppm)/NH3(0-75.0 ppm),w/Li-ion batt pack/100-240 VAC charger ...	2,415.00
72-6CXX-B	GX-6000,LEL/Oxy/H2S,w/alkaline battery pack/Li-Ion battery pack/100-240 VAC charger	2,020.00
72-6EXX-B	GX-6000,Oxy/CO,w/alkaline battery pack/Li-Ion battery pack/100-240 VAC charger.....	1,970.00
72-6EXX-C	GX-6000,O2/CO,w/Li-ion battery pack/100-240 VAC charger	1,845.00
72-6FFM-A	GX-6000,LEL/CO/CO2(0-5%)/NH3(0-400 ppm),w/alkaline battery pack	2,305.00
72-6FFX-C	GX-6000,LEL/CO/CO2(0-5%),w/Li-ion battery pack/100-240 VAC charger	2,295.00
72-6HBI-A	GX-6000,LEL/Oxy/VOC(0-6000 ppm)/SO2(0-6.0 ppm),w/alkaline battery pack	3,055.00
72-6HBX-C	GX-6000,LEL/O2/VOC(0-6000 ppm),w/Li-ion battery pack/100-240 VAC charger	3,045.00
72-6HBX-E	GX-6000,LEL/Oxy/VOC(0-6000 ppm),w/alk batt pack/Li-Ion batt pack/12 VDC chgr	3,170.00
72-6HXX-A	GX-6000,LEL/Oxy,w/alkaline battery pack	1,595.00
72-6HXX-C	GX-6000,LEL/O2,w/Li-ion battery pack/100-240 VAC charger	1,845.00
72-6JXX-C	GX-6000,H2S,w/Li-ion battery pack/100-240 VAC charger	1,795.00
72-6KBF-C	GX-6000,Oxy/VOC(0-6000 ppm)/IR CO2(5%),w/Li-ion battery pack/100-240 VAC charger	3,445.00
72-6KCX-A	GX-6000,Oxy/IR CH4 autoranging,w/alkaline battery pack	1,945.00
72-6KFX-B	GX-6000,Oxy/CO2(0-5%),w/alkaline battery pack/Li-Ion battery pack/100-240 VAC charger	2,370.00
72-6KFX-C	GX-6000,Oxy/IR CO2(5%),w/Li-ion battery pack/100-240 VAC charger	2,245.00
72-6KXX-B	GX-6000,Oxy,w/alkaline battery pack/Li-Ion battery pack/100-240 VAC charger	1,920.00
72-6LBX-C	GX-6000,LEL/VOC(0-6000 ppm),w/Li-ion battery pack/100-240 VAC charger	2,995.00
72-6LFX-C	GX-6000,LEL/CO2(0-5%)/NO2(0-9 ppm),w/Li-ion batt pack/100-240 VAC charger.....	2,505.00
72-6LFX-A	GX-6000,LEL/CO2(0-5%),w/alkaline battery pack.....	1,995.00
72-6MBX-C	GX-6000,Oxy/H2S/CO/VOC(0-6000 ppm),w/Li-ion battery pack/100-240 VAC charger	3,095.00
72-6MCL-A	GX-6000,Oxy/H2S/CO/IR CH4 autorange/HCN,w/alkaline battery pack	2,305.00
72-6MLX-A	GX-6000,Oxy/H2S/CO/HCN,w/alkaline battery pack	1,905.00
72-6NEM-C	GX-6000,LEL/H2S/CO/CO2(10,000 ppm)/NH3,w/Li-ion battery pack/100-240 VAC charger	2,605.00
72-6NFI-C	GX-6000,LEL/H2S/CO/CO2(5%)/SO2,w/Li-ion battery pack/100-240 VAC charger	2,605.00
72-6XAX-A	GX-6000,VOC(0-50000 ppb),w/alkaline battery pack	3,095.00
72-6XAX-C	GX-6000,VOC(0-50000 ppb),w/Li-ion battery pack/100-240 VAC charger	3,345.00
72-6XBD-B	GX-6000,VOC(0-6000 ppm)/IR HC autorange,alk pack/Li-Ion pack/100-240 VAC chgr	3,470.00
72-6XBP-B	GX-6000,VOC(0-6000 ppm)/Cl2(0-10.0 ppm),alk pack/Li-Ion pack/100-240 VAC chgr	3,330.00
72-6XBX-A	GX-6000,VOC(0-6000 ppm),w/alkaline battery pack	2,695.00
72-6XBX-B	GX-6000,VOC(0-6000 ppm),alk pack/Li-Ion pack/100-240 VAC chgr	3,070.00
72-6XBX-C	GX-6000,VOC(0-6000 ppm),w/Li-ion battery pack/100-240 VAC charger	2,945.00
72-6XBX-C-50	GX-6000,VOC(0-6000 ppm),w/Li-ion battery pack/100-240 VAC charger,and case	3,025.00
72-6XBX-C-51	GX-6000,VOC(0-6000 ppm),w/Li-ion battery pack/100-240 VAC charger,cal kit, and case	3,510.00
72-6XDX-C	GX-6000,IR HC autoranging,w/Li-ion battery pack/100-240 VAC charger	2,145.00
72-6XEM-A	GX-6000,CO2(0-10,000 ppm)/NH3(0-400 ppm),w/alkaline battery pack	2,205.00
72-6XEX-A	GX-6000,CO2(0-10,000 ppm), w/alkaline battery pack.....	1,945.00
72-6XIX-A	GX-6000,SO2,0-6.00 ppm,w/alkaline battery pack	1,755.00
72-6XLX-A	GX-6000,HCN,0-15.0 ppm,w/alkaline battery pack	1,755.00
72-6XPI-C	GX-6000,Cl2 (0-10.0 ppm)/SO2 (0-600 ppm) Li-Ion pack/100-240 VAC chgr	2,715.00
72-7522RK	GX-82A, LEL / O2 / CO (check availability)	500.00
72-7525RK	GX-86A, LEL / O2 / H2S / CO (check availability)	600.00
721-001	EAGLE 2 for LEL & PPM	1,945.00
721-001-H2	EAGLE 2 for LEL & PPM (Hydrogen (H2) specific)	2,045.00
721-001-H2-ID	E2,LEL(CAT H2 specific),with internal LEL dilution	2,245.00
721-001-ID	E2,LEL(CAT),with internal LEL dilution	2,145.00
721-001-IR	EAGLE 2 for LEL Methane only, with IR sensor	2,595.00
721-001-T	EAGLE 2 for LEL / PPM, with teflon hose, for heavy hydrocarbons (specify calibration)	2,045.00
721-001-TT	EAGLE 2 for LEL / PPM, Tank Tester version, float probe included	2,445.00

Numerical Index

Part#	Description	Suggested Retail
721-002	EAGLE 2 for O2 (0 - 40% volume)	1,945.00
721-002-M	EAGLE 2 for O2 (0 - 40% volume), marine version, with internal oil mist filter	1,975.00
721-003	EAGLE 2 for Hydrogen Sulfide (H2S), 0 - 100 ppm	1,945.00
721-005	EAGLE 2 for Sulfur Dioxide (SO2), 0 - 6.0 ppm	2,195.00
721-006	EAGLE 2 for Chlorine (Cl2), 0 - 3 ppm.....	2,195.00
721-007	EAGLE 2 for Arsine (AsH3), 0 - 1.5 ppm	2,195.00
721-008	EAGLE 2 for Phosphine (PH3), 0 - 1.0 ppm.....	2,195.00
721-011	EAGLE 2 for Ammonia (NH3), 0 - 75 ppm	2,195.00
721-015-02	EAGLE 2 for Carbon Dioxide CO2, (0 - 10,000 ppm)	2,595.00
721-015-03	EAGLE 2 for Carbon Dioxide CO2, (5% volume)	2,595.00
721-015-05	EAGLE 2 for Carbon Dioxide CO2, (60% volume)	2,595.00
721-020	EAGLE 2 for Methane (CH4) (100% LEL / 100% volume (IR), autoranging)	2,595.00
721-021	EAGLE 2 for Hydrocarbons (HC) 100% LEL / 30% volume (IR), autoranging	2,595.00
721-023	EAGLE 2 for Hydrogen Cyanide (HCN), 0 - 15 ppm	2,195.00
721-101-P1	EAGLE 2 for VOC's 0 - 50 ppm, (PID)	3,445.00
721-101-P2	EAGLE 2 for VOC's 0 - 2,000 ppm, (PID)	3,145.00
721-102-10	EAGLE 2 for Hydrogen H2 10% volume, (TC)	2,245.00
721-102-20	EAGLE 2 for Hydrogen H2 100% volume, (TC)	2,245.00
721-102-30	EAGLE 2 for Methane, 0 - 100% volume, (TC)	2,245.00
722-001	EAGLE 2 for LEL & PPM / O2	2,095.00
722-001-H2	EAGLE 2 for LEL & PPM (Hydrogen (H2) specific) / O2	2,195.00
722-001-IR	EAGLE 2 for LEL CH4 (IR) / O2.....	2,795.00
722-001-T	EAGLE 2 for LEL & PPM / O2 with teflon hose for heavy hydrocarbons (Specify calibration)	2,195.00
722-001-TR1	EAGLE 2 for H2 (0 - 5%) / O2, for transformer gas testing, with sample bag & dilution fitting	2,195.00
722-001-TT	EAGLE 2 for LEL & PPM / O2, tank testing version, includes float probe assembly and dilution fitting ...	2,545.00
722-002	EAGLE 2 for LEL & PPM / CO	2,095.00
722-003	EAGLE 2 for LEL & PPM / H2S	2,095.00
722-004	EAGLE 2 for O2 / CO	2,095.00
722-005	EAGLE 2 for O2 / H2S	2,095.00
722-010	EAGLE 2 for LEL & PPM / NH3.....	2,395.00
722-011	EAGLE 2 for Cl2 / NH3.....	2,645.00
722-022-02	EAGLE 2 for O2 / CO2 10,000 ppm (IR)	2,795.00
722-022-03	EAGLE 2 for O2 / CO2 5% volume (IR)	2,795.00
722-022-05	EAGLE 2 for O2 / CO2 60% volume (IR)	2,795.00
722-023-02	EAGLE 2 for NH3 / CO2 10,000 ppm (IR)	3,045.00
722-029	EAGLE 2 for Cl2 / SO2	2,645.00
722-035	EAGLE 2 for H2S / CO	2,095.00
722-036	EAGLE 2 for HCN / NH3	2,645.00
722-037	EAGLE 2 for H2S / SO2	2,645.00
722-038	EAGLE 2 for LEL & PPM (catalytic) / CH4 (100% LEL / 100% volume (IR) autoranging)	2,795.00
722-038-H2	EAGLE 2 for LEL & PPM Hydrogen (H2 specific) (catalytic) / CH4 (100% LEL / 100% volume (IR) autoranging)	2,895.00
722-043-02	EAGLE 2 for LEL & PPM / CO2 10,000 ppm (IR)	2,795.00
722-043-03	EAGLE 2 for LEL & PPM / CO2 5% volume (IR)	2,795.00
722-043-05	EAGLE 2 for LEL & PPM / CO2 60% volume (IR)	2,795.00
722-045	EAGLE 2 for CH4 (100% LEL / 100% volume (IR) autoranging) / O2	2,795.00
722-045-05	EAGLE 2 for CH4 100% volume (IR) / O2	2,795.00
722-045-USS	E2,CH4(IR Autoranging %LEL/%vol)/Oxy,w/NiMH batteries and AC charger	2,935.00
722-049	EAGLE 2 for H2S / NH3	2,395.00
722-059	EAGLE 2 for O2 / NH3	2,395.00
722-062	EAGLE 2 for LEL & PPM / AsH3	2,395.00
722-065-02	EAGLE 2 for H2S / CO2 10,000 ppm (IR).....	2,795.00
722-065-03	EAGLE 2 for H2S / CO2 5% volume (IR)	2,795.00
722-065-05	EAGLE 2 for H2S / CO2 60% volume (IR)	2,795.00
722-068	EAGLE 2 for Hydrocarbons HC (100% LEL / 30% volume (IR) autoranging) / O2.....	2,795.00
722-072	EAGLE 2 for SO2 / NH3	2,645.00
722-073	EAGLE 2 for CH4 (100% LEL / 100 % volume (IR) autoranging) / H2S (0 - 100 ppm)	2,795.00
722-090-05	EAGLE 2 for CH4 (100% LEL / 100% volume (IR) auto-ranging) / CO2 60% volume (IR)	3,445.00
722-096	EAGLE 2 for LEL & PPM / Cl2	2,395.00
722-101-P1	EAGLE 2 for LEL & PPM / VOC's 0 - 50 ppm (PID)	3,645.00
722-101-P2	EAGLE 2 for LEL & PPM / VOC's 0 - 2,000 ppm (PID)	3,345.00

Numerical Index

Part#	Description	Suggested Retail
722-101-P2-H2	EAGLE 2 for LEL & PPM Hydrogen (H2 specific) (catalytic) / VOC's (0 - 2,000 ppm, PID)	3,445.00
722-102-10	EAGLE 2 for LEL & PPM (catalytic) / Hydrogen H2 0 - 10% volume (TC)	2,445.00
722-102-20	EAGLE 2 for LEL & PPM (catalytic) / Hydrogen H2 0 - 100% volume (TC)	2,445.00
722-102-20-H2	EAGLE 2 for LEL & PPM (catalytic Hydrogen specific) / Hydrogen H20 - 100% volume (TC)	2,545.00
722-102-30	EAGLE 2 for LEL & PPM (catalytic) / Methane CH4 0 - 100% volume (TC)	2,445.00
722-103-10	EAGLE 2 for LEL Hydrogen (H2), 0 - 10% volume, (TC) / O2	2,445.00
722-103-20	E2,H2(TC 0-100%vol)/Oxy	2,445.00
722-103-30	EAGLE 2 for Methane CH4 100% volume (TC) / O2	2,445.00
722-104	EAGLE 2 for LEL & PPM (catalytic) / Hydrocarbons HC (100% LEL / 30% volume (IR) autoranging)	2,745.00
722-104-IBU	EAGLE 2 for LEL Isobutane (catalytic) / Hydrocarbons HC (100% LEL / 30% volume (IR) autoranging) ...	2,795.00
722-105-P2	EAGLE 2 for VOC's 0 - 2,000 ppm (PID) / SO2	3,645.00
722-106-P12	EAGLE 2 for VOC's 0 - 2,000 ppm (PID) / VOC's 0 - 50 ppm (PID)	4,845.00
722-107-02-P2	EAGLE 2 for CO2 60% volume (IR) / VOC's 0 - 2,000 ppm (PID)	3,995.00
722-108-20	EAGLE 2 for Methane (100% LEL / 100% volume (IR), autoranging) / Hydrogen (H2), 0 - 100% volume, (TC)	3,095.00
722-109-P2	EAGLE 2 for H2S / VOC's 0 - 2,000 ppm (PID)	3,345.00
722-110-P2	E2,CO/VOC(PID 0-2,000ppm)	3,345.00
722-111	E2,HC(IR Autoranging %LEL/%vol)/CH4(IR Autoranging %LEL/%vol)	3,445.00
722-112-H2	EAGLE 2 for LEL & PPM (Hydrogen (H2) specific) / CH4 100% LEL, 100% volume (IR) auto-ranging	2,895.00
722-113-P2	EAGLE 2 for VOC's 0 - 2,000 ppm (PID) / PH3	3,595.00
722-114-10-20	EAGLE 2 for Hydrogen H2 10% volume (TC) / Hydrogen H2 0 - 100% volume (TC)	2,745.00
722-115-P2	EAGLE 2 for VOC's 0 - 2,000 ppm (PID) / AsH3	3,595.00
722-116	EAGLE 2 for O2 / SO2	2,395.00
722-117-P2	EAGLE 2 for CH4 (100% LEL / 100% volume (IR) auto-ranging) / VOC's (0 - 2,000 ppm PID)	3,995.00
722-118	EAGLE 2 for LEL & PPM / SO2	2,395.00
723-001	EAGLE 2 for LEL & PPM / O2 / H2S	2,245.00
723-001-H2	EAGLE 2 for LEL & PPM H2 (catalytic) / O2 / H2S	2,345.00
723-001-IR-CAT	E2,CH4(IR %LEL)/Oxy/H2S,Catalyst Applications	2,995.00
723-002	EAGLE 2 for LEL & PPM / O2 / CO	2,245.00
723-002-IR-CAT	E2,CH4(IR %LEL)/Oxy/CO,Catalyst Applications	2,995.00
723-005	EAGLE 2 for LEL & PPM / O2 / PH3	2,545.00
723-007	EAGLE 2 for LEL & PPM / O2 / NH3	2,545.00
723-008	EAGLE 2 for LEL & PPM / O2 / Cl2	2,545.00
723-016-02	EAGLE 2 for LEL & PPM / O2 / CO2 10,000 ppm (IR)	2,945.00
723-016-03	EAGLE 2 for LEL & PPM / O2 / CO2 5% volume (IR)	2,945.00
723-016-03-H2	E2,LEL(CAT H2 Specific)/Oxy/CO2(IR 0-5%vol)	3,045.00
723-016-05	EAGLE 2 for LEL & PPM / O2 / CO2 60% volume (IR)	2,945.00
723-022	EAGLE 2 for LEL & PPM (catalytic) / O2 / CH4 (100% LEL / 100% volume (IR) autoranging)	2,945.00
723-025-05	EAGLE 2 for O2 / CO2 60% volume (IR) / NH3	3,245.00
723-026-02	EAGLE 2 for O2 / CO / CO2 10,000 ppm (IR)	2,945.00
723-026-03	EAGLE 2 for O2 / CO / CO2 5% volume (IR)	2,945.00
723-026-05	EAGLE 2 for O2 / CO / CO2 60% volume (IR)	2,945.00
723-029-02	EAGLE 2 for LEL & PPM / H2S / CO2 10,000 ppm (IR).....	2,945.00
723-030	EAGLE 2 for O2 / H2S / NH3	2,545.00
723-032	EAGLE 2 for CH4 (100% LEL / 100% volume (IR) autoranging) / O2 / CO	2,945.00
723-032-1000	EAGLE 2 for CH4 (100% LEL / 100% volume (IR) autoranging) / O2 / CO (1,000 ppm)	3,045.00
723-035-05	EAGLE 2 for CH4 (100% LEL / 100% volume (IR) autoranging) / O2 / CO2 (60%)	3,645.00
723-037	EAGLE 2 for CH4 (100% LEL / 100% volume (IR) autoranging) / O2 / H2S	2,945.00
723-038-03	EAGLE 2 for O2 / CO2 5% volume (IR) / SO2	3,245.00
723-041	EAGLE 2 for LEL & PPM / Cl2 / NH3.....	2,845.00
723-054	EAGLE 2 for Hydrocarbons HC (100% LEL / 30% volume (IR) autoranging) / O2 / H2S (0 - 100 ppm) ...	2,945.00
723-064	EAGLE 2 for CH4 (100% LEL / 100% volume (IR) autoranging) / H2S / NH3	3,245.00
723-066	EAGLE 2 for LEL & PPM (catalytic) / Methane (CH4) 100% volume (IR) / NH3	3,245.00
723-069	EAGLE 2 for LEL & PPM / H2S / NH3	2,545.00
723-071-03	EAGLE 2 for O2 / H2S / CO2 5% volume (IR)	2,945.00
723-071-05	EAGLE 2 for O2 / H2S / CO2 60% volume (IR)	2,945.00
723-079-05	EAGLE 2 for CH4 (100% LEL / 100% volume (IR) autoranging) / H2S / CO2 60% volume (IR)	3,645.00
723-081	EAGLE 2 for CH4 (100% LEL / 100% volume (IR) autoranging) / CO / H2S	2,945.00
723-101-P1	EAGLE 2 for LEL & PPM / O2 / VOC's (0 - 50 ppm, PID)	3,795.00
723-101-P2	EAGLE 2 for LEL & PPM / O2 / VOC's (0 - 2,000 ppm, PID)	3,495.00
723-102	EAGLE 2 for LEL & PPM (catalytic) / Methane (CH4) 100% LEL, 100% volume (IR) autoranging / O2	2,945.00

Numerical Index

Part#	Description	Suggested Retail
723-103	EAGLE 2 for LEL & PPM (catalytic) / Hydrocarbons (HC) 100% LEL, 30% volume (IR), autoranging / O2	2,945.00
723-104-10	EAGLE 2 for LEL & PPM (catalytic) / Hydrogen H2 10% volume (TC) / O2	2,595.00
723-104-20	EAGLE 2 for LEL & PPM (catalytic) / Hydrogen H2 0 - 100% volume (TC) / O2	2,595.00
723-104-20-H2	E2,LEL(CAT H2 Specific)/H2(TC 0-100%vol)/Oxy	2,695.00
723-104-30	EAGLE 2 for LEL & PPM (catalytic) / Methane CH4 0 - 100% volume (TC) / O2	2,595.00
723-105-02-P2	EAGLE 2 for LEL & PPM (catalytic) / CO2 10,000 ppm volume (IR) / VOC's 0 - 2,000 ppm, (PID)	4,195.00
723-106-10	EAGLE 2 for CH4 (100% LEL / 100% volume (IR) autoranging) / Hydrogen (H2) 0 - 10% volume, (TC) / O2	3,295.00
723-107	EAGLE 2 for LEL & PPM (catalytic) / CH4 100% LEL (IR) / O2	2,945.00
723-108-P2	EAGLE 2 for H2S / VOC's 0 - 2,000 ppm (PID) / NH3	3,795.00
723-109-10	EAGLE 2 for CH4 (100% LEL / 100% volume (IR) autoranging) / H2 10% volume (TC) / O2	3,295.00
723-109-20	EAGLE 2 for CH4 (100% LEL / 100% volume (IR) autoranging) / H2 100% volume (TC) / O2	3,295.00
723-110-P1	EAGLE 2 for O2 / H2S / VOC's 0 - 50 ppm (PID)	3,795.00
723-110-P2	EAGLE 2 for O2 / H2S / VOC's 0 - 2,000 ppm (PID)	3,495.00
723-111-P2	EAGLE 2 for CH4 (100% LEL / 100% volume (IR) autoranging) / O2 / VOC's 0 - 2,000 ppm (PID)	4,195.00
723-113-03	EAGLE 2 for Cl2 / NH3 / CO2 60% volume (IR)	3,495.00
723-114-12	EAGLE 2 for Hydrogen H2 10% volume (TC) / O2 / CO2 10,000 ppm (IR)	3,295.00
723-114-23	EAGLE 2 for Hydrogen H2 100% volume (TC) / O2 / CO2 5% volume (IR)	3,295.00
723-114-25	EAGLE 2 for Hydrogen H2 100% volume (TC) / O2 / CO2 60% volume (IR)	3,295.00
723-115	EAGLE 2 for LEL & PPM / O2 / SO2	2,545.00
723-116-P2	EAGLE 2 for LEL & PPM / H2S / VOC's 0 - 2,000 ppm (PID)	3,495.00
723-117-20	EAGLE 2 for Hydrogen H2 100% volume (TC) / O2 / H2S	2,595.00
723-118-02-P2	EAGLE 2 for CO / CO2 10,000 ppm (IR) / VOC's 0 - 2,000 ppm (PID)	4,195.00
723-119-P2	EAGLE 2 for LEL & PPM / VOC's (0 - 2,000 ppm, PID) / NH3	3,795.00
723-120	EAGLE 2 for LEL & PPM / H2S / HCN	2,545.00
723-121-20	E2,CH4(IR %vol)/H2(TC 0-100%vol)/Oxy	3,295.00
723-122-05	EAGLE 2 for LEL & PPM (catalytic) / CH4 100% LEL, 100% volume (IR) autoranging / CO2 60% volume (IR)	3,645.00
723-123	EAGLE 2 for Hydrocarbons HC 100% LEL, 30% volume (IR) autoranging / O2 / HCN	3,245.00
723-124-P1	EAGLE 2 for O2 / VOC's 0 - 2,000 ppm (PID) / NH3	4,095.00
723-126-30-P2	EAGLE 2 for LEL & PPM / Methane CH4 100% volume (TC) / VOC's (0 - 2,000 ppm PID)	3,845.00
723-127-P2	EAGLE 2 for LEL & PPM (catalytic) / Methane (CH4) 100% volume (IR) / VOC's (0 - 2,000 ppm PID)	4,195.00
723-128-20	EAGLE 2 for LEL & PPM / Hydrogen H2 100% volume (TC) / % Volume CH4 (IR)	3,295.00
723-129-10	EAGLE 2 for Hydrocarbons HC (100% LEL / 30% volume (IR) autoranging) / H2 10% volume (TC) / O2	3,295.00
724-001	EAGLE 2 for LEL & PPM / O2 / H2S / CO	2,395.00
724-001-50	EAGLE 2 for LEL & PPM / O2 / H2S / CO, 58AL H2S/CO/O2/CH4, dem flow reg, tubing, and padded carrying case	3,240.00
724-001-H2	EAGLE 2 for LEL & PPM H2 specific (catalytic) / O2 / H2S / CO	2,495.00
724-001-ID	E2,LEL(CAT)/Oxy/H2S/CO,with internal LEL dilution	2,595.00
724-001-IR	EAGLE 2 for LEL CH4 (IR) / O2 / H2S / CO	3,095.00
724-001-IR-CAT	EAGLE 2 for CH4 % LEL (IR) / O2 / H2S / CO, inert mode for catalyst applications	3,145.00
724-001-T	EAGLE 2 for LEL & PPM / O2 / H2S / CO, Teflon lined hose & internal tubing (specify calibration)	2,495.00
724-001-TT	EAGLE 2 for LEL & PPM / O2 / H2S / CO, Tank Tester version (with float probe & dilution fitting)	2,845.00
724-002	EAGLE 2 for LEL & PPM / O2 / H2S / SO2	2,695.00
724-003	EAGLE 2 for LEL & PPM / O2 / CO / SO2	2,695.00
724-005	EAGLE 2 for LEL & PPM / O2 / CO / Cl2	2,695.00
724-007	E2,Oxy/CO/Cl2/NH3	2,995.00
724-010	EAGLE 2 for LEL & PPM / O2 / H2S / NH3	2,695.00
724-012	EAGLE 2 for LEL & PPM / O2 / CO / NH3	2,695.00
724-016-02	EAGLE 2 for LEL & PPM / O2 / CO / CO2 10,000 ppm (IR)	3,095.00
724-016-03	EAGLE 2 for LEL & PPM / O2 / CO / CO2 5% volume (IR)	3,095.00
724-016-05	EAGLE 2 for LEL & PPM / O2 / CO / CO2 60% volume (IR)	3,095.00
724-027	EAGLE 2 for LEL & PPM / O2 / CO / PH3	2,695.00
724-028-02	EAGLE 2 for LEL & PPM / H2S / CO2 10,000 ppm (IR) / NH3	3,395.00
724-039-02	EAGLE 2 for LEL & PPM / O2 / H2S / CO2 10,000 ppm (IR)	3,095.00
724-039-03	EAGLE 2 for LEL & PPM / O2 / H2S / CO2 5% volume (IR)	3,095.00
724-039-05	EAGLE 2 for LEL & PPM / O2 / H2S / CO2 60% volume (IR)	3,095.00
724-041	EAGLE 2 for LEL & PPM (catalytic) / O2 / CO / CH4 (100% LEL / 100% volume (IR) autoranging)	3,095.00
724-041-1000	EAGLE 2 for LEL & PPM (catalytic) / O2 / CO (1,000 ppm) / CH4 (100% LEL / 100% volume (IR) autoranging)	3,195.00
724-042	EAGLE 2 for LEL & PPM (catalytic) / CH4 (100% LEL / 100% volume (IR) autoranging) / O2 / H2S	3,095.00
724-048-02	EAGLE 2 for LEL & PPM / O2 / NH3 / CO2 10,000 ppm (IR)	3,395.00
724-048-03	EAGLE 2 for LEL & PPM / O2 / NH3 / CO2 5% volume (IR)	3,395.00

Numerical Index

Part#	Description	Suggested Retail
724-051	EAGLE 2 for CH4 (100% LEL / 100% volume (IR) autoranging) / O2 / CO / H2S	3,095.00
724-051-50	Eagle 2,type 451 w/case & 58 liter calibration kit	3,940.00
724-052	EAGLE 2 for LEL & PPM / O2 / CO / HCN	2,695.00
724-053-03	EAGLE 2 for LEL & PPM / O2 / CO2 5% volume (IR) / SO2	3,395.00
724-054	EAGLE 2 for LEL & PPM / H2S / CO / NH3	2,695.00
724-055-03	EAGLE 2 for LEL & PPM / H2S / CO / CO2 5% volume (IR)	3,095.00
724-059-02	EAGLE 2 for CH4 (100% LEL / 100% volume (IR) autoranging) / O2 / CO / CO2 10,000 ppm (IR)	3,795.00
724-059-03	EAGLE 2 for CH4 (100% LEL / 100% volume (IR) autoranging) / O2 / CO / CO2 5% volume (IR)	3,795.00
724-059-05	EAGLE 2 for CH4 (100% LEL / 100% volume (IR) autoranging) / O2 / CO / CO2 60% volume (IR)	3,795.00
724-068-03	EAGLE 2 for CH4 (100% LEL / 100% volume (IR) autoranging) / O2 / HS / CO2 5% volume (IR)	3,795.00
724-068-05	EAGLE 2 for CH4 (100% LEL / 100% volume (IR) autoranging) / O2 / HS / CO2 60% volume (IR)	3,795.00
724-074-03	EAGLE 2 for LEL & PPM (catalytic) / CH4 (100% LEL / 100% volume (IR) autoranging) / O2 / CO2 5% volume (IR)	3,795.00
724-074-05	EAGLE 2 for LEL & PPM (catalytic) / CH4 (100% LEL / 100% volume (IR) autoranging) / O2 / CO2 60% volume (IR)	3,795.00
724-085	EAGLE 2 for LEL & PPM / O2 / CO / AsH3 (0 -1.5 ppm)	2,695.00
724-087	EAGLE 2 for Hydrocarbons HC 100% LEL (IR)/ O2 / CO / H2S	3,095.00
724-101-P1	EAGLE 2 for LEL & PPM / O2 / H2S / VOC's (0 - 50 ppm, PID)	3,945.00
724-101-P2	EAGLE 2 for LEL & PPM / O2 / H2S / VOC's (0 - 2,000 ppm, PID)	3,645.00
724-102-P1	EAGLE 2 for LEL & PPM / O2 / CO / VOC's (0 - 50 ppm, PID)	3,945.00
724-102-P2	EAGLE 2 for LEL & PPM / O2 / CO / VOC's (0 - 2,000 ppm, PID)	3,645.00
724-103-22	EAGLE 2 for LEL & PPM H2 specific (catalytic) / Hydrogen H2 100% volume (TC) / O2 / CO2 10,000 ppm (IR)	3,445.00
724-103-25	EAGLE 2 for LEL & PPM H2 specific (catalytic) / Hydrogen H2 100% volume (TC) / O2 / CO2 60% volume (IR)	3,445.00
724-103-32	EAGLE 2 for LEL & PPM (catalytic) / Methane CH4 100% volume (TC) / O2 / CO2 10,000 ppm (IR)	3,445.00
724-103-33	EAGLE 2 for LEL & PPM (catalytic) / Methane CH4 100% volume (TC) / O2 / CO2 5% volume (IR)	3,445.00
724-103-35	EAGLE 2 for LEL & PPM (catalytic) / Methane CH4 100% volume (TC) / O2 / CO2 60% volume (IR)	3,445.00
724-104-02-P2	EAGLE 2 for LEL & PPM / O2 / CO2 10,000 ppm (IR) / VOC's 0 - 2,000 ppm, (PID)	5,045.00
724-104-05-P2	EAGLE 2 for LEL / % volume CH4 (IR) autoranging / O2 / CO2 60% volume (IR) / VOC's 0 - 2,000 ppm, (PID)	5,045.00
724-105-P2	EAGLE 2 for O2 / CO / VOC's (0 - 2,000 ppm, PID) / SO2	3,945.00
724-106-12	E2,H2(TC 0-10%vol)/Oxy/H2S/CO2(IR 0-10,000 ppm)	3,445.00
724-106-35	EAGLE 2 for Methane CH4 100% volume (TC) / O2 / H2S / CO2 60% volume (IR)	3,445.00
724-107-30	EAGLE 2 for LEL & PPM (catalytic) / Methane CH4 100% volume (TC) / O2 / H2S	2,745.00
724-108-P2	EAGLE 2 for LEL & PPM / O2 / VOC's 0 - 2,000 ppm (PID) / NH3	3,945.00
724-110-H2	EAGLE 2 for LEL & PPM H2 specific (catalytic) / CH4 (100% LEL / 100% volume (IR) autoranging) / O2 / H2S	3,195.00
724-111-02-P1	EAGLE 2 for LEL & PPM / O2 / CO2 10,000 ppm (IR) / VOC's (0 - 50 ppm, PID)	3,945.00
724-111-03-P1	EAGLE 2 for LEL & PPM / O2 / CO2 5% volume (IR) / VOC's (0 - 50 ppm, PID)	3,945.00
724-111-05-P2	EAGLE 2 for LEL & PPM / O2 / CO2 60% volume (IR) / VOC's 0 - 2,000 ppm (PID)	4,345.00
724-112-02-P2	EAGLE 2 for LEL & PPM / H2S / CO2 10,000 ppm (IR) / VOC's 0 - 2,000 ppm (PID)	4,345.00
724-113-25	EAGLE 2 for CH4 (100% LEL / 100% volume (IR) autoranging) / Hydrogen H2 100% volume (TC) / O2 / CO2 60% volume (IR)	4,145.00
724-114-P2	EAGLE 2 for LEL & PPM / VOC's (0 - 2,000 ppm, PID) / Cl2 / NH3	4,245.00
724-115	EAGLE 2 for O2 / H2S / CO / SO2	2,695.00
724-116-P2	EAGLE 2 for LEL & PPM (catalytic) / CH4 (100% LEL / 100% volume (IR) autoranging) / O2 / VOC's (0 - 2,000 ppm PID)	4,345.00
724-117-P2	E2,LEL(CAT)/CH4(IR Autoranging %LEL/%vol)/VOC(PID 0-2,000ppm)/NH3	4,645.00
724-118	E2,CH4(IR Autoranging %LEL/%vol)/Oxy/CO/SO2	3,395.00
724-128-P2	EAGLE 2 for LEL & PPM / O2 / VOC's 0 - 2,000 ppm (PID) / PH3	3,945.00
724-129-P2-H2	EAGLE 2 for CAT H2 specific / O2 / VOC (PID 0 - 2,000 ppm) / HCN	3,945.00
724-130-10-P2	EAGLE 2 for LEL & PPM (catalytic) / Hydrogen H2 100% volume (TC) / O2 / VOC's (0 - 2,000 ppm, PID)	3,995.00
724-130-20-P2	EAGLE 2 for LEL & PPM H2 specific (catalytic) / Hydrogen H2 100% volume (TC) / O2 / VOC's (0 - 2,000 ppm, PID)	3,995.00
724-131-P2	EAGLE 2 for Hydrocarbons HC 100% LEL, 30% volume (IR), autoranging / O2 / VOC's (0 - 2,000 ppm, PID)	4,345.00
724-132-05-P2	EAGLE 2 for CH4 100% volume (IR) / O2 / CO2 60% vol (IR) / VOC's 0 - 2,000 ppm (PID)	5,045.00
724-133-P1	EAGLE 2 for H2S / VOC's (0 - 50 ppm, PID) / SO2 / NH3	4,545.00
724-133-P2	EAGLE 2 for H2S / VOC's (0 - 2,000 ppm, PID) / SO2 / NH3	4,245.00
724-134-P2	E2,LEL(CAT)/VOC(PID 0-2,000ppm)/SO2/NH3	4,245.00

Numerical Index

Part#	Description	Suggested Retail
724-135-03-P2	EAGLE 2 for O2 / CO2 5% volume (IR) / VOC's (0 - 2,000 ppm, PID) / SO2	4,645.00
724-136-H2	EAGLE 2 for LEL & PPM H2 specific (catalytic) / CH4 (100% LEL / 100% volume (IR) autoranging) / O2 / NH3	3,495.00
724-137-02-H2	EAGLE 2 for LEL & PPM H2 specific (catalytic) / CH4 (100% LEL / 100% volume (IR) autoranging) / CO2 10,000 ppm (IR) / NH3	4,195.00
724-138-05-H2	EAGLE 2 for LEL & PPM H2 specific (catalytic) / CH4 (100% LEL / 100% volume (IR) autoranging) / O2 / CO2 60% vol (IR)	3,895.00
724-139-H2	E2,LEL(CAT H2 Specific)/HC(IR Autoranging %LEL/%vol)/H2S/NH3	3,495.00
724-140	EAGLE 2 for LEL & PPM / CO / NH3 / SO2	2,995.00
724-141-03-P2	EAGLE 2 for LEL & PPM (catalytic) / CH4 (100% LEL / 100% volume (IR) autoranging) / CO2 5% volume (IR) / VOC's (0 - 2,000 ppm PID)	5,045.00
724-142-P2	EAGLE 2 for CH4 (100% LEL / 100% volume (IR) autoranging) / O2 / H2S / VOC's (0 - 2,000 ppm PID)	4,345.00
724-144-05	EAGLE 2 for CH4 (100% LEL / 100% volume (IR) autoranging) / H2S / NH3 / CO2 60% volume (IR)	4,095.00
724-145-10-P2	EAGLE 2 for CH4 (100% LEL / 100% volume (IR) autoranging) / H2 10% volume (TC) / O2 / VOC's 0 - 2,000 ppm, (PID)	4,695.00
725-001	EAGLE 2 for LEL & PPM / O2 / H2S / CO / SO2	2,845.00
725-003	EAGLE 2 for LEL & PPM / O2 / H2S / CO / NH3	2,845.00
725-004-02	EAGLE 2 for LEL & PPM / O2 / H2S / CO / CO2 10,000 ppm (IR)	3,245.00
725-004-03	EAGLE 2 for LEL & PPM / O2 / H2S / CO / CO2 5% volume (IR)	3,245.00
725-004-05	EAGLE 2 for LEL & PPM / O2 / H2S / CO / CO2 60% volume (IR)	3,245.00
725-006	EAGLE 2 for LEL & PPM / O2 / CO / Cl2 / NH3	3,145.00
725-011	EAGLE 2 for LEL & PPM / O2 / H2S / CO / HCN	2,845.00
725-020-03	EAGLE 2 for LEL & PPM / O2 / CO / CO2 5% volume (IR) / NH3	3,545.00
725-023-02	EAGLE 2 for LEL & PPM / O2 / H2S / CO2 10,000 ppm (IR) / NH3	3,545.00
725-028	EAGLE 2 for LEL & PPM / O2 / CO / NH3 / PH3	3,145.00
725-033	EAGLE 2 for LEL & PPM / O2 / CO / HCN / NH3	3,145.00
725-048-03	EAGLE 2 for LEL & PPM / O2 / H2S / CO / CO2 5% volume (IR) / HCN	3,545.00
725-101-P1	EAGLE 2 for LEL & PPM / O2 / H2S / CO / VOC's (0 - 50 ppm, PID)	4,095.00
725-101-P1-50	EAGLE 2 for LEL & PPM / O2 / H2S / CO / VOC's (0 - 50 ppm, PID), 58AL H2S/CO/O2/CH4, 103L 10 ppm isobutylene/Air, dem flow reg, tubing, and padded carrying case	5,090.00
725-101-P2	EAGLE 2 for LEL & PPM / O2 / H2S / CO / VOC's (0 - 2,000 ppm PID)	3,795.00
725-101-P2-50	EAGLE 2 for LEL & PPM / O2 / H2S / CO / VOC's (0 - 2,000 ppm, PID), 58AL H2S/CO/O2/CH4, 103L 100 ppm isobutylene/Air, dem flow reg, tubing, and padded carrying case	4,695.00
725-102-P1	EAGLE 2 for LEL & PPM / O2 / CO / VOC's (0 - 50 ppm PID) / HCN	4,395.00
725-102-P2	EAGLE 2 for LEL & PPM / O2 / CO / VOC's (0 - 2,000 ppm PID) / HCN	4,095.00
725-103-02-P1	EAGLE 2 for LEL & PPM / O2 / CO / CO2 10,000 ppm (IR) / VOC's (0 - 50 ppm, PID)	4,795.00
725-103-02-P2	EAGLE 2 for LEL & PPM / O2 / CO / CO2 10,000 ppm (IR) / VOC's 0 - 2,000 ppm, (PID)	4,495.00
725-103-03-P1	EAGLE 2 for LEL & PPM / O2 / CO / CO2 5% volume (IR) / VOC's (0 - 50 ppm, PID)	4,795.00
725-103-03-P2	EAGLE 2 for LEL & PPM / O2 / CO / CO2 5% volume (IR) / VOC's 0 - 2,000 ppm, (PID)	4,495.00
725-103-05-P1	EAGLE 2 for LEL & PPM / O2 / CO / CO2 60% volume (IR) / VOC's (0 - 50 ppm, PID)	4,795.00
725-103-05-P2	EAGLE 2 for LEL & PPM / O2 / CO / CO2 60% volume (IR) / VOC's 0 - 2,000 ppm, (PID)	4,495.00
725-104-35-P2	EAGLE 2 for Methane CH4 100% volume (TC) / O2 / H2S / CO2 60% volume (IR) / VOC's 0 - 2,000 ppm, (PID)	4,845.00
725-105-30	EAGLE 2 for LEL & PPM / CH4 100% volume (TC) / O2 / H2S / CO	2,895.00
725-106-02	EAGLE 2 for CH4 (100% LEL / 100% volume (IR) autoranging) / O2 / H2S / CO / CO2 (IR 0 - 10,000 ppm)	3,945.00
725-106-05	EAGLE 2 for CH4 (100% LEL / 100% volume (IR) autoranging) / O2 / H2S / CO / CO2 60% volume (IR)	3,945.00
725-107-03-P2	EAGLE 2 for CH4 (100% LEL / 100% volume (IR) autoranging) / O2 / CO / CO2 5% volume (IR) / VOC's 0 - 2,000 ppm, (PID)	5,195.00
725-107-05-P2	EAGLE 2 for CH4 (100% LEL / 100% volume (IR) autoranging) / O2 / CO / CO2 60% volume (IR) / VOC's (0 - 2,000 ppm, PID)	5,195.00
725-108-P2	EAGLE 2 for CH4 (100% LEL / 100% volume (IR) autoranging) / O2 / H2S / CO / VOC's (0 - 2,000 ppm, PID)	4,495.00
725-109-25-P2	EAGLE 2 for LEL & PPM / H2 100% volume (TC) / O2 / CO2 60% volume (IR) / VOC's 0 - 2,000 ppm, (PID)	4,845.00
725-110-35	EAGLE 2 for LEL & PPM (catalytic) / Methane CH4 100% volume (TC) / O2 / CO / CO2 60% volume (IR)	3,595.00
725-111-03	EAGLE 2 for LEL & PPM H2 (catalytic) / CH4 (100% LEL / 100% volume (IR) autoranging) / O2 / H2S / CO2 5% volume (IR)	3,945.00
725-111-05	EAGLE 2 for LEL & PPM H2 (catalytic) / CH4 (100% LEL / 100% volume (IR) autoranging) / O2 / H2S / CO2 60% volume (IR)	3,945.00
725-112-P2	EAGLE 2 for LEL & PPM / O2 / CO / VOC's 0 - 2,000 ppm (PID) / PH3	4,095.00
725-113-32	EAGLE 2 for LEL & PPM (catalytic) / Methane CH4 100% volume (TC) / O2 / H2S / CO2 10,000 ppm (IR)	3,595.00
725-113-35	EAGLE 2 for LEL & PPM (catalytic) / Methane CH4 100% volume (TC) / O2 / H2S / CO2 60% volume (IR)	3,595.00

Numerical Index

Part#	Description	Suggested Retail
725-114	EAGLE 2 for LEL & PPM (catalytic) / CH4 100% LEL (IR) / O2 / H2S / CO	3,245.00
725-115	EAGLE 2 for LEL & PPM / O2 / H2S / HCN / SO2	3,145.00
725-117-05-P2	EAGLE 2 for LEL & PPM / O2 / H2S / CO2 60% volume (IR) / VOC's 0 - 2,000 ppm (PID)	4,495.00
725-118-P2	EAGLE 2 for Hydrocarbons HC 100% LEL (IR) / O2 / H2S / CO / VOC's 0 - 2,000 ppm (PID)	4,495.00
725-119	EAGLE 2 for CH4 (100% LEL / 100% volume (IR) autoranging) / O2 / H2S / CO / SO2	3,545.00
725-119-IR-CAT	E2,CH4(IR %LEL)/Oxy/H2S/CO/SO2	3,595.00
725-120-P1	EAGLE 2 for LEL & PPM / O2 / CO / VOC's 0 - 50 ppm (PID) / NH3	4,395.00
725-120-P2	EAGLE 2 for LEL & PPM / O2 / CO / VOC's 0 - 2,000 ppm (PID) / NH3	4,095.00
725-121-P1	EAGLE 2 for LEL & PPM / O2 / CO / VOC's 0 - 50 ppm (PID) / Cl2	4,395.00
725-121-P2	EAGLE 2 for LEL & PPM / O2 / CO / VOC's 0 - 2,000 ppm (PID) / Cl2	4,095.00
725-122-02	EAGLE 2 for LEL & PPM / O2 / CO / CO2 10,000 ppm (IR) / SO2	3,545.00
725-122-03	EAGLE 2 for LEL & PPM / O2 / CO / CO2 5% volume (IR) / SO2	3,545.00
725-123-P2	EAGLE 2 for LEL & PPM / O2 / H2S / VOC's 0 - 2,000 ppm (PID) / NH3	4,095.00
725-124-05	EAGLE 2 for CH4 (100% LEL / 100% volume (IR) autoranging) / O2 / H2S / CO2 60% volume (IR) / NH3	4,245.00
725-125-05	EAGLE 2 for LEL & PPM / H2S / CO / CO2 60% volume (IR) / NH3	3,545.00
725-126-05-P2	EAGLE 2 for LEL & PPM H2 (catalytic) / Hydrocarbons HC (100% LEL / 30% volume (IR) autoranging) / O2 / CO2 60% volume (IR) / VOC's 0 - 2,000 ppm (PID)	5,195.00
725-127-10-P2	EAGLE 2 for LEL & PPM (catalytic) / Hydrogen H2 100% volume (TC) / O2 / H2S / VOC's 0 - 2,000 ppm (PID)	4,145.00
725-128-02-P2	EAGLE 2 for LEL & PPM / O2 / CO2 10,000 ppm volume (IR) / VOC's 0 - 2,000 ppm, (PID) / NH3	4,795.00
725-128-02-P2H2	EAGLE 2 for LEL & PPM Hydrogen (H2 specific) / O2 / CO2 10,000 ppm volume (IR) / VOC's 0 - 2,000 ppm, (PID) / NH3	4,895.00
725-130-P2	EAGLE 2 for LEL & PPM / O2 / H2S / VOC's 0 - 2,000 ppm (PID) / SO2	4,095.00
725-131-35-P2	EAGLE 2 for LEL & PPM (catalytic) / Methane CH4 100% volume (TC) / O2 / CO2 60% volume (IR) / VOC's (0 - 2,000 ppm, PID)	4,845.00
725-132-02	EAGLE 2 for LEL & PPM / O2 / CO2 10,000 ppm (IR) / Cl2 / NH3	3,845.00
725-132-03	EAGLE 2 for LEL & PPM / O2 / CO2 5% volume (IR) / Cl2 / NH3	3,845.00
725-133-05-P2	EAGLE 2 for CH4 (100% LEL / 100% volume (IR) autoranging) / O2 / H2S / CO2 60% vol (IR) / VOC's 0 - 2,000 ppm (PID)	5,195.00
725-134	EAGLE 2 for CH4 (100% LEL / 100% volume (IR) autoranging) / O2 / H2S / CO / SO2	3,545.00
725-135-CAT	EAGLE 2 for CH4 (100% LEL / 100% volume (IR) autoranging) / O2 / H2S / CO / NH3, inert mode for catalyst applications	3,545.00
725-136	EAGLE 2 for LEL & PPM (catalytic) / CH4 100% LEL / 100% volume (IR) autoranging / O2 / CO / NH3 ...	3,545.00
725-137-02	E2,LEL(CAT)/CH4(IR Autoranging %LEL/%vol)/CO/H2S/CO2(IR 0-10,000ppm)	3,945.00
725-139-05	EAGLE 2 for Hydrocarbons (HC) 100% LEL, 30% volume (IR), autoranging / O2 / H2S / CO2 60% volume (IR)	4,645.00
725-140	E2,LEL(CAT)/CH4(IR %vol)/Oxy/H2S/CO	3,245.00
725-141	E2,LEL(CAT)/CH4(IR Autoranging %LEL/%vol)/Oxy/H2S/CO	3,245.00
725-142-P2	EAGLE 2 for LEL & PPM / O2 / VOC's 0 - 2,000 ppm (PID) / PH3 / NH3	4,395.00
725-143-03-P1	EAGLE 2 for O2 / CO / CO2 5% volume (IR) / VOC's (0 - 50 ppm, PID) / SO2	5,095.00
725-144-05-H2	EAGLE 2 for LEL & PPM H2 specific (catalytic) / CH4 100% LEL / 100% volume (IR) autoranging / O2 / H2S / CO2 60% volume (IR)	4,045.00
725-145	EAGLE 2 for H2S / CO / HCN / SO2 / NH3	3,445.00
725-146	E2,LEL(CAT)/Oxy/CL2/SO2/NH3	3,445.00
725-147-P1	EAGLE 2 for LEL & PPM (catalytic) / CH4 100% LEL / 100% volume (IR) autoranging / O2 / VOC's (0 - 50 ppm, PID) / NH3	5,095.00
725-147-P2	EAGLE 2 for LEL & PPM (catalytic) / CH4 100% LEL / 100% volume (IR) autoranging / O2 / VOC's (0 - 2,000 ppm PID) / NH3	4,795.00
725-148-1000-01	EAGLE 2 for CH4 % LEL (IR) / O2 (0-100% volume) / H2S / CO (0-1,000 ppm)	3,645.00
725-149-20	E2,LEL(CAT)/H2(TC 0-100%vol)/Oxy/H2S/SO2	3,195.00
725-149-20-H2	E2,LEL(CAT H2 specific)/H2(TC 0-100%vol)/Oxy/H2S/SO2	3,295.00
725-150-P2	EAGLE 2 for LEL & PPM / O2 / VOC's 0 - 2,000 ppm (PID) / NH3 / SO2	4,395.00
725-152-02-H2	EAGLE 2 for LEL & PPM H2 specific (catalytic) / LEL CH4 (IR) / O2 / H2S / CO2 10,000 ppm (IR)	4,045.00
725-153-25	EAGLE 2 for LEL & PPM (catalytic) / Hydrogen H2 100% volume (TC) / O2 / H2S / CO2 60% volume (IR)	3,995.00
725-154-03-H2	EAGLE 2 for LEL & PPM Hydrogen (H2 specific) (catalytic) / CH4 (100% LEL / 100% volume (IR) autoranging) / O2 / CO2 5% volume (IR) / NH3	4,345.00
726-008-02	EAGLE 2 for LEL & PPM / O2 / H2S / CO / NH3 / CO2 10,000 ppm (IR)	3,695.00
726-008-03	EAGLE 2 for LEL & PPM / O2 / H2S / CO / NH3 / CO2 5% volume (IR)	3,695.00
726-016-02	EAGLE 2 for LEL & PPM / O2 / H2S / CO / CO2 10,000 ppm (IR) / SO2	3,695.00
726-017	EAGLE 2 for LEL & PPM / O2 / H2S / CO / NH3 / SO2	3,295.00
726-101-P1	EAGLE 2 for LEL & PPM / O2 / H2S / CO / SO2 / VOC's (0 - 50 ppm, PID)	4,545.00

Numerical Index

Part#	Description	Suggested Retail
726-101-P2	EAGLE 2 for LEL & PPM / O2 / H2S / CO / SO2 / VOC's (0 - 2,000 ppm, PID)	4,245.00
726-102-P1	EAGLE 2 for LEL & PPM / O2 / H2S / CO / NH3 / VOC's (0 - 50 ppm, PID)	4,545.00
726-102-P2	EAGLE 2 for LEL & PPM / O2 / H2S / CO / NH3 / VOC's (0 - 2,000 ppm, PID)	4,245.00
726-105-35	EAGLE 2 for LEL & PPM / Methane CH4 100% volume (TC) / O2 / H2S / CO / CO2 60% volume (IR)	3,745.00
726-106-02-P1	EAGLE 2 for LEL & PPM / O2 / H2S / CO / CO2 10,000 ppm (IR) / VOC's 0 - 50 ppm, (PID)	4,945.00
726-106-02-P2	EAGLE 2 for LEL (CAT) / O2 / H2S / CO / CO2 (IR 0 - 10,000 ppm) / VOC's 0 - 2,000 ppm, (PID)	4,645.00
726-106-03-P2	EAGLE 2 for LEL & PPM / O2 / H2S / CO / CO2 5% volume (IR) / VOC's 0 - 2,000 ppm, (PID)	4,645.00
726-106-05-P2	EAGLE 2 for LEL & PPM / O2 / H2S / CO / CO2 60% volume (IR) / VOC's 0 - 2,000 ppm, (PID)	4,645.00
726-107-05-P2	EAGLE 2 for LEL & PPM / H2S / CO / NH3 / CO2 60% volume (IR) / VOC's 0 - 2,000 ppm, (PID)	4,945.00
726-108-P2	EAGLE 2 for LEL & PPM / O2 / CO / VOC's (0 - 2,000 ppm, PID) / Cl2 / NH3	4,545.00
726-109-P2	EAGLE 2 for O2 / H2S / CO / VOC's 0 - 2,000 ppm (PID) / SO2 / NH3	4,545.00
726-110-05-P2	EAGLE 2 for CH4 100% LEL / 100% volume (IR) autoranging / O2 / CO / H2S / CO2 60% volume (IR) / VOC's 0 - 2,000 ppm, (PID)	5,345.00
726-111-30-P1	EAGLE 2 for LEL & PPM / Methane CH4 100% volume (TC) / O2 / H2S / CO / VOC's (0 - 50 ppm, PID) ...	4,595.00
726-111-30-P2	EAGLE 2 for LEL & PPM / Methane CH4 100% volume (TC) / O2 / H2S / CO / VOC's (0 - 2,000 ppm, PID)	4,295.00
726-112-P2	EAGLE 2 for LEL & PPM / O2 / CO / VOC's (0 - 2,000 ppm, PID) / HCN / NH3.....	4,545.00
726-113-P12	EAGLE 2 for LEL & PPM / O2 / H2S / CO / VOC's (0 - 50 ppm, PID) / VOC's (0 - 2,000 ppm, PID)	5,495.00
726-114-05-P2	EAGLE 2 for LEL & PPM H2 (catalytic) / CH4 (100% LEL / 100% volume (IR) autoranging) / O2 / H2S / CO2 60% volume (IR) / VOC's 0 - 2,000 ppm (PID).....	5,345.00
726-115-02	EAGLE 2 for LEL & PPM CH4 (catalytic) / CH4 (100% LEL / 100% volume (IR) autoranging) / O2 / H2S / CO / CO2 10,000 ppm (IR)	4,095.00
726-115-05	EAGLE 2 for LEL & PPM CH4 (catalytic) / CH4 (100% LEL / 100% volume (IR) autoranging) / O2 / H2S / CO / CO2 60% vol (IR)	4,095.00
726-116-02	EAGLE 2 for LEL & PPM / O2 / H2S / CO / CO2 10,000 ppm (IR) / HCN	3,695.00
726-117-P2	EAGLE 2 for CH4 (100% LEL / 100% volume (IR) autoranging) / O2 / H2S / CO / VOC's 0 - 2,000 ppm (PID) / NH3	4,945.00
726-118	EAGLE 2 for LEL & PPM / O2 / H2S / CO / HCN / SO2	3,295.00
726-119-02	EAGLE 2 for CH4 (100% LEL / 100% volume (IR) autoranging) / O2 / H2S / CO / CO2 10,000 ppm (IR) / SO2	4,395.00
726-120-02	EAGLE 2 for CH4 (100% LEL / 100% volume (IR) autoranging) / O2 / H2S / CO / CO2 10,000 ppm (IR) / NH3	4,395.00
726-120-05	EAGLE 2 for CH4 % LEL (IR) / O2 / H2S / CO / CO2 60% volume (IR) / NH3	4,345.00
726-121-P2	EAGLE 2 for LEL & PPM H2 (catalytic) / CH4 (100% LEL / 100% volume (IR) autoranging) / O2 / H2S / CO / VOC's 0 - 2,000 ppm (PID) /	4,645.00
726-122-P2	EAGLE 2 for Hydrocarbons HC (100% LEL / 30% volume (IR) autoranging) / O2 / H2S / CO / VOC's 0 - 2,000 ppm (PID) / SO2.....	4,945.00
726-123-P2	EAGLE 2 for LEL & PPM / O2 / H2S / VOC's 0 - 2,000 ppm (PID) / HCN / SO2	4,545.00
726-124-P2	EAGLE 2 for LEL & PPM / O2 / CO / VOC's 0 - 2,000 ppm (PID) / NH3 / PH3	4,545.00
726-125-P2	EAGLE 2 for LEL & PPM / O2 / H2S / CO / VOC's (0 - 2,000 ppm, PID) / HCN	4,245.00
726-126-02	EAGLE 2 for O2 / H2S / CO / CO2 10,000 ppm (IR) / SO2 / NH3.....	3,945.00
726-127	EAGLE 2 for LEL & PPM / O2 / CO / HCN / NH3	3,595.00
726-128-P2	EAGLE 2 for LEL & PPM CH4 (catalytic) / CH4 (100% LEL / 100% volume (IR) autoranging) / O2 / H2S / VOC's 0 - 2,000 ppm (PID) / NH3	4,995.00
726-130	EAGLE 2 for CH4 (100% LEL / 100% volume (IR) autoranging) / O2 / H2S / CO / SO2 / NH3	3,995.00
726-131-P2	EAGLE 2 for LEL & PPM / O2 / CO / VOC's 0 - 2,000 ppm (PID) / SO2 / NH3	4,545.00
726-132-30	E2,LEL(CAT)/CH4(TC 0-100%vol)/Oxy/H2S/CO/CH4(IR %LEL)	3,745.00
726-133	EAGLE 2 for LEL & PPM / O2 / CO / CL2 / SO2 / NH3	3,595.00
726-134-05-P2	EAGLE 2 for LEL & PPM / O2 / H2S / CO2 60% volume (IR) / VOC's 0 - 2,000 ppm (PID) / NH3.....	4,945.00
726-135-30	EAGLE 2 for LEL & PPM (catalytic) / Methane CH4 100% volume (TC) / O2 / H2S / CO / NH3	3,345.00
726-136-02	EAGLE 2 for LEL & PPM / O2 / CO / CO2 10,000 ppm (IR) / PH3 / NH3	3,995.00
73-0020RK	CO-94, 0-150 ppm CO	440.00
73-0044RK-01	CO-01, 0 - 500 ppm with alkaline and alligator clip (Limited availability. Check stock before quoting.) ...	360.00
73-0044RK-03	CO-01, 0 - 500 ppm with alkaline and belt clip (Limited availability. Check stock before quoting.)	360.00
73-0046RK-03	HS-01, 0 - 100 ppm with alkaline and belt clip	360.00
73-0050RK-ASH3	SC-01 toxic gas detector, Arsine (AsH3), 0 - 1.50 ppm, with alligator clip	745.00
73-0050RK-CL2	SC-01 toxic gas detector, Chlorine (Cl2), 0 - 3.00 ppm, with alligator clip	745.00
73-0050RK-CO	SC-01 toxic gas detector, Carbon Monoxide (CO), 0 - 75 ppm, with alligator clip	745.00
73-0050RK-H2S	SC-01 toxic gas detector, Hydrogen Sulfide (H2S), 0 - 30.0 ppm, with alligator clip	745.00
73-0050RK-HCN	SC-01 toxic gas detector, Hydrogen Cyanide (HCN), 0 - 15.0 ppm, with alligator clip	745.00
73-0050RK-NH3	SC-01 toxic gas detector, Ammonia (NH3), 0 - 75 ppm, with alligator clip	745.00
73-0050RK-NS	SC-01 toxic gas detector, without sensor, with alligator clip	595.00

Numerical Index

Part#	Description	Suggested Retail
73-0050RK-PH3	SC-01 toxic gas detector, Phosphine (PH3), 0 - 1.00 ppm, with alligator clip	745.00
73-0050RK-SO2	SC-01 toxic gas detector, Sulfur Dioxide (SO2), 0 - 6.00 ppm, with alligator clip	745.00
73-0051RK-ASH3	SC-01 toxic gas detector, Arsine (AsH3), 0 - 1.50 ppm, with belt clip	745.00
73-0051RK-CL2	SC-01 toxic gas detector, Chlorine (Cl2), 0 - 3.00 ppm, with belt clip	745.00
73-0051RK-CO	SC-01 toxic gas detector, Carbon Monoxide (CO), 0 - 75 ppm, with belt clip	745.00
73-0051RK-H2S	SC-01 toxic gas detector, Hydrogen Sulfide (H2S), 0 - 30.0 ppm, with belt clip	745.00
73-0051RK-HCN	SC-01 toxic gas detector, Hydrogen Cyanide (HCN), 0 - 15.0 ppm, with belt clip	745.00
73-0051RK-NH3	SC-01 toxic gas detector, Ammonia (NH3), 0 - 75 ppm, with belt clip	745.00
73-0051RK-NS	SC-01 toxic gas detector, without sensor, with belt clip	595.00
73-0051RK-PH3	SC-01 toxic gas detector, Phosphine (PH3), 0 - 1.00 ppm, with belt clip	745.00
73-0051RK-SO2	SC-01 toxic gas detector, Sulfur Dioxide (SO2), 0 - 6.00 ppm, with belt clip	745.00
73-0060	CO-03, 0-500 ppm CO with alligator clip and alkaline batteries	280.00
73-0060-05	CO-03, 0-500 ppm CO with alligator clip, alkaline batteries and calibration cup	310.00
73-0060-50	Kit including a CO-03 with alkaline batteries, screwdriver, and small padded case	325.00
73-0060-56	Kit including a CO-03 with alkaline batteries, screwdriver, case, and calibration kit (34L cyl 50 ppm CO/N2, regulator, cal cup & tubing)	565.00
73-0062	HS-03, 0-100 ppm H2S with alligator clip and alkaline batteries	280.00
73-0062-05	HS-03, 0-100 ppm H2S with alligator clip, alkaline batteries and calibration cup	310.00
73-0062-50	Kit including an HS-03 with alkaline batteries, screwdriver, and small padded case	325.00
73-0062-56	Kit including an HS-03 with alkaline batteries, screwdriver, case, and calibration kit (34AL cyl 25 ppm H2S/N2, regulator, cal cup & tubing)	675.00
73-0570RK	Model RI-85, hand held IR CO2 monitor, 0 - 10,000 ppm, sample draw with internal pump. Includes alkaline batteries, coiled hose, probe, and vinyl cover	1,450.00
73-0570RK-05	Model RI-85, hand held IR CO2 monitor, 0 - 5%, sample draw with internal pump. Includes alkaline batteries, coiled hose, probe, and vinyl cover	1,450.00
73-0610RK	RX-515, 0-100% LEL / 0-100% vol CH4 / 0-25% O2 / 0-1,000 ppm CO / 0-20% CO2	3,650.00
73-0611RK	RX-516, 0-100% LEL / 0-100% vol HC / 0-25% O2 / 0-100 ppm H2S.....	3,300.00
73-0612RK	RX-517, 0-100% LEL / 0-100% vol HC / 0-100 ppm H2S / 0-1,000 ppm H2S / 0-25% O2	3,650.00
73-0615	RX-8000, 0-100% LEL & 0-100% vol CH4, & 0-25% O2, land version (methane calibration) with alkaline battery pack	2,395.00
73-0615C	RX-415, 0-100% LEL & 0-100% vol CH4, & 0-25% O2, land version (methane calibration) with lithium ion battery pack and 115 / 220 VAC charger	2,440.00
73-0616	RX-8000, 0-100% LEL & 0-100% vol HC, & 0-25% O2, (isobutane calibration) with alkaline battery pack	2,395.00
73-0616C	RX-8000, 0-100% LEL & 0-100% vol HC, & 0-25% O2, (isobutane calibration) with lithium ion battery pack and 115 / 220 VAC charger.....	2,440.00
73-0617	RX-8000, 0-100% LEL & 0-100% vol CH4 (methane calibration) with alkaline battery pack	2,295.00
73-0617C	RX-8000, 0-100% LEL & 0-100% vol CH4 (methane calibration) with lithium ion battery pack and 115 / 220 VAC charger.....	2,340.00
73-0618	RX-8000, 0-100% LEL & 0-100% vol HC (isobutane calibration) with alkaline battery pack	2,295.00
73-0618C	RX-8000, 0-100% LEL & 0-100% vol HC (isobutane calibration) with lithium ion battery pack and 115 / 220 VAC charger.....	2,340.00
73-1020RK-01	PS 2 for LEL detection, 24 VDC powered	425.00
73-1021RK-01	PS 2 for LEL detection, 115 VAC powered	435.00
73-1022RK-01	PS 2 for LEL detection, 48 VDC powered	495.00
73-1063	Model FP-31 (15 & 30 minute averages) Formaldehyde monitor	1,050.00
73-1181RK	CO-91, 0-499 ppm	850.00
73-1202	EC-600 carbon monoxide monitor, 0-150 ppm, battery operated (2 AA batteries)	895.00
73-1202-03	EC-600 carbon monoxide monitor, 0-150 ppm, battery operated (2 AA batteries) with 3 meter sensor cable installed.....	1,035.00
73-1202-05	EC-600 carbon monoxide monitor, 0-150 ppm, battery operated (2 AA batteries) with 5 meter sensor cable installed.....	1,055.00
73-1202-10	EC-600 carbon monoxide monitor, 0-150 ppm, battery operated (2 AA batteries) with 10 meter sensor cable installed.....	1,095.00
73-1202-20	EC-600 carbon monoxide monitor, 0-150 ppm, battery operated (2 AA batteries) with 20 meter sensor cable installed.....	1,195.00
73-1203	EC-600 carbon monoxide monitor, 0-150 ppm, 24 VDC operation	895.00
73-1203-03	EC-600 carbon monoxide monitor, 0-150 ppm, 24 VDC operation with 3 meter sensor cable	1,035.00
73-1203-05	EC-600 carbon monoxide monitor, 0-150 ppm, 24 VDC operation with 5 meter sensor cable	1,055.00
73-1203-10	EC-600 carbon monoxide monitor, 0-150 ppm, 24 VDC operation with 10 meter sensor cable	1,095.00
73-1203-20	EC-600 carbon monoxide monitor, 0-150 ppm, 24 VDC operation with 20 meter sensor cable	1,195.00
73-1204	EC-600 carbon monoxide monitor, 0-150 ppm, 115 VAC operation	895.00

Numerical Index

Part#	Description	Suggested Retail
73-1204-03	EC-600 carbon monoxide monitor, 0-150 ppm, 115 VAC operation with 3 meter sensor cable.....	1,035.00
73-1204-05	EC-600 carbon monoxide monitor, 0-150 ppm, 115 VAC operation with 5 meter sensor cable.....	1,055.00
73-1204-10	EC-600 carbon monoxide monitor, 0-150 ppm, 115 VAC operation with 10 meter sensor cable	1,095.00
73-1204-20	EC-600 carbon monoxide monitor, 0-150 ppm, 115 VAC operation with 20 meter sensor cable	1,195.00
73-2040-XX	SC-8000 Alkaline version	3,300.00
73-2041-XX	SC-8000 Li-Ion version	3,560.00
73-4021-33-01	FI-8000 for fumigation, hand aspirated type with alkaline batteries, 48 mm chamber length, 0-100% NH3	4,600.00
73-4021-XX-01	FI-8000 for fumigation, hand aspirated type with alkaline batteries, 48 mm chamber length, specify gas and range.....	4,600.00
73-4021-XX-01P	FI-8000 for fumigation, pump type with alkaline batteries, 48 mm chamber length, specify gas and range.....	4,600.00
75-0004RK	Recorder output board, 8 outputs, 4-20 mA or 1-5 VDC, added to Beacon 800	300.00
75-0004RK-01	Field instal. kit,rec out PCB,1-5 V/4-20 mA,B-800	300.00
75-0005RK	Heavy duty relay board, 4 relays at 30 amps, added to Beacon 800	200.00
75-0006RK	Relay board and recorder output board, added to Beacon 800	480.00
75-0016RK-01	Alligator clip for field installation (installation requires tool, part # 82-0001RK), for GasWatch 2	22.00
79-1017-03	Model 1017 explosion proof combustible sample draw, 0-100 % LEL with NC-6245 sensor	1,500.00
79-1039-01	Assembly, Display Stand, Beacon 200 & M2	3,000.00
80-0003RK	Hose,10 meter,GX-1,GP-204,polyurethane,RKK style	115.00
80-0004RK	Hose,15 meter,GX-1,GP-204,polyurethane,RKK style	170.00
80-0006-03	Hose for GX-6000, Teflon lined, 3 ft, no probe	32.00
80-0006-03P	Hose, 3' for GX-6000, Teflon lined with probe attached	52.00
80-0006-05	Hose for GX-6000, Teflon lined, 5 ft, no probe	40.00
80-0006-05P	Hose, 5' for GX-6000, Teflon lined with probe attached	60.00
80-0006-10	Hose for GX-6000, Teflon lined, 10 ft, no probe.....	60.00
80-0006-10P	Hose, 10' for GX-6000, Teflon lined with probe attached	80.00
80-0006-15	Hose for GX-6000, Teflon lined, 15 ft, no probe.....	80.00
80-0006-15P	Hose, 15' for GX-6000, Teflon lined with probe attached	100.00
80-0006-20	Hose for GX-6000, Teflon lined, 20 ft, no probe.....	100.00
80-0006-20P	Hose, 20' for GX-6000, Teflon lined with probe attached	120.00
80-0006-25	Hose for GX-6000, Teflon lined, 25 ft, no probe.....	120.00
80-0006-25P	Hose, 25' for GX-6000, Teflon lined with probe attached	140.00
80-0006-30	Hose for GX-6000, Teflon lined, 30 ft, no probe.....	140.00
80-0006-30P	Hose, 30' for GX-6000, Teflon lined with probe attached	160.00
80-0006-35	Hose for GX-6000, Teflon lined, 35 ft, no probe.....	160.00
80-0006-35P	Hose, 35' for GX-6000, Teflon lined with probe attached	180.00
80-0006-40	Hose for GX-6000, Teflon lined, 40 ft, no probe.....	180.00
80-0006-40P	Hose, 40' for GX-6000, Teflon lined with probe attached	200.00
80-0007RK-03	Hose, 3', polyurethane, GX-1, GP-204, OX-1	48.00
80-0007RK-05	Hose,5',polyurethane,GP-204/OX-1	50.00
80-0007RK-10	Hose, 10', polyurethane, GX-1, GP-204, OX-1	52.00
80-0007RK-12	Hose,12',polyurethane,GP-204/OX-1	55.00
80-0007RK-15	Hose,15',polyurethane,GP-204/OX-1	57.00
80-0007RK-20	Hose,20',polyurethane,GP-204/OX-1	59.00
80-0007RK-30	Hose,30',polyurethane,GP-204/OX-1	64.00
80-0007RK-40	Hose,40',polyurethane,GP-204/OX-1	68.00
80-0007RK-50	Hose,50',polyurethane,GP-204/OX-1	72.00
80-0007RK-60	Hose,60',polyurethane,GP-204/OX-1	76.00
80-0007RK-75	Hose,75',polyurethane,GP-204/OX-1	82.00
80-0009RK-02	Hose,2', polyurethane, GX-2012/Gas Tracer/GX-20003/RP-2009	30.00
80-0009RK-03	Hose,3',polyurethane, GX-2012/Gas Tracer/GX-20003/RP-2009	31.00
80-0009RK-04	Hose,4', polyurethane, GX-2012/Gas Tracer/GX-20003/RP-2009	31.00
80-0009RK-05	Hose, 5', polyurethane, GX-2012/Gas Tracer/GX-20003/RP-2009	32.00
80-0009RK-10	Hose, 10', polyurethane, GX-2012/Gas Tracer/GX-20003/RP-2009	36.00
80-0009RK-15	Hose, 15', polyurethane, GX-2012/Gas Tracer/GX-20003/RP-2009	38.00
80-0009RK-20	Hose, 20', polyurethane, GX-2012/Gas Tracer/GX-20003/RP-2009	40.00
80-0009RK-25	Hose, 25', polyurethane, GX-2012/Gas Tracer/GX-20003/RP-2009	42.00
80-0009RK-30	Hose, 30', polyurethane, GX-2012/Gas Tracer/GX-20003/RP-2009	46.00
80-0009RK-35	Hose, 35', polyurethane, GX-2012/Gas Tracer/GX-20003/RP-2009	50.00
80-0009RK-40	Hose, 40', polyurethane, GX-2012/Gas Tracer/GX-20003/RP-2009	54.00

Numerical Index

Part#	Description	Suggested Retail
80-0009RK-45	Hose, 45', polyurethane, GX-2012/Gas Tracer/GX-20003/RP-2009	58.00
80-0009RK-50	Hose, 50', polyurethane, GX-2012/Gas Tracer/GX-20003/RP-2009	72.00
80-0009RK-60	Hose, 60', polyurethane, GX-2012/Gas Tracer/GX-20003/RP-2009	80.00
80-0009RK-75	Hose, 75', polyurethane, GX-2012/Gas Tracer/GX-20003/RP-2009	86.00
80-0009RK-99	Hose, 100', polyurethane, RKI style, GX-2012/Gas Tracer/GX-20003/RP-2009	98.00
80-0011RK	Hose, 30 meter, quick disconnect, RI-415 marine version, Riken style (orange)	240.00
80-0011RK-01	Hose, 30 meter, quick disc, RI-415 marine version, with EAGLE adapter (orange)	235.00
80-0012RK	Hose, 3' coiled, polyurethane, RI-411/RI-413A/GP-226/GX-8000/RX-8000	45.00
80-0015RK	Connection tube for RI-415, 1', female GX-7 to 4 x 6 mm tube	16.00
80-0016RK	Connection tube, RX-415, 1', fem GX-7 both ends	16.00
80-0019RK	Hose, gas sampling, RX-515/RX-516/RX-517	110.00
80-0020RK	Coiled tubing with connectors, 3' (for connection to GX-2009 / GX-2001 adaptor)	65.00
80-0022RK	Connection tube, RX-515/RX-516/RX-517	15.00
80-0101RK	Hose with floating head, 8 meters (25 feet), with GX-/RX- series	98.00
80-0101RK-60	Hose with floating head, 60 ft, with GX-7 fitting, RX- series	125.00
80-0101RKE	Floating ball / hose assembly, 25', with EAGLE/EAGLE 2 fitting	120.00
80-0101RKE-60	Hose with floating head, 60 ft, EAGLE / EAGLE 2	145.00
80-0103RK	Hose, 30 meter, with float type sampling head, for RX-415/RX-516/RX-517	375.00
80-0131RK-10	Probe, 10", hydrophobic, standard, with particle filter and metal fittings, EAGLE / EAGLE 2	55.00
80-0131RK-20	Probe, 10", hydrophobic, standard, without particle filter, with metal fittings, for EAGLE 2 with PID	54.00
80-0132RK-10	Probe, 10", hydrophobic, without particle filter, with plastic fittings for toxic gas versions (HCL/CLO2/etc), EAGLE	54.00
80-0133RK-10	Probe, 30", aluminum, with particle filter and 1641 fittings, EAGLE	95.00
80-0133RK-20	Probe, 30", aluminum, without particle filter and 1641 fittings, EAGLE	95.00
80-0134RK-10	Probe, 4', stainless steel, with particle filter, handle, and 1641 fittings, EAGLE	200.00
80-0134RK-20	Probe, 4', stainless steel, without particle filter, handle, and 1641 fittings, EAGLE	200.00
80-0135RK-10	Probe, 30", stainless steel, with particle filter and 1641 fittings, EAGLE	110.00
80-0135RK-20	Probe, 30", stainless steel, without particle filter and 1641 fittings, EAGLE	110.00
80-0136RK	Probe, 32", extendible (10" collapsed), fiberglass, with dust filter, (cotton ball), EAGLE / EAGLE 2	65.00
80-0137RK	Probe, 10" plastic, with dust filter (cotton ball), for EAGLE	36.00
80-0138RK	Stainless steel probe, 4 feet with filter for GX-2012	125.00
80-0139RK-01	Telescoping probe, 10', with hose for GX-82/86/GX- series	240.00
80-0140RK	Extendible probe, 32" (collapsible), fiberglass with filter for GX-2003/GX-2012/Gas Tracer	84.00
80-0142RK-10	Probe, 30", fiberglass, for bar hole, with particle filter, EAGLE	88.00
80-0142RK-20	Probe, 30", fiberglass, for bar hole, without particle filter, EAGLE	88.00
80-0143RK	Extendible probe, 7' (collapsible to 2'), fiberglass with filter for EAGLE	88.00
80-0144RK	Extendible probe, 7' (collapsible to 2'), fiberglass with filter for GX-2003/GX-2012/Gas Tracer	88.00
80-0149RK	Probe, GF-178, GP-204/XP-204/RX-415/OX-226/SC-90, w/metal tip	30.00
80-0150RK	Probe assembly, 10", with cotton ball filter	25.00
80-0152RK	Probe assembly for RI-413A/RI-413A/RI-415/GP-88S/SP-237H	30.00
80-0155RK	Probe assembly, 30", aluminum, with cotton ball filter, for GX-2003/GX-2012/Gas Tracer	65.00
80-0156RK-10	Probe, 30", fiberglass, rigid with particle filter, EAGLE	80.00
80-0156RK-20	Probe, 30", fiberglass, rigid without particle filter, EAGLE	80.00
80-0157RK	Bar hole probe, 30" fiberglass for GX-2003/GX-2012/Gas Tracer	70.00
80-0158RK	Probe with excess bypass for GX-2003/GX-2012/Gas Tracer	14.00
80-0159RK	Probe assembly, 10", w/1/4" x 1/8" probe tube, GX-82	33.00
80-0160RK-12	Extendible probe, 12', with 1641 fittings, EAGLE	250.00
80-0160RK-18	Extendible probe, 18', with 1641 fittings, EAGLE	250.00
80-0161RK	Flexible 10" probe tube without instrument adapter, clear plastic	40.00
80-0161RK-24	Flexible 24" probe tube without instrument adapter, clear plastic	45.00
80-0162RK	Flexible 10" probe tube with female quick-connect (attaches to instrument)	75.00
80-0162RK-24	Flexible 24" probe tube with female quick-connect (attaches to instrument)	75.00
80-0163	Probe with tube, GF-267 for GX-6000	26.00
80-0165RK-12	Extendible probe, 12', twist fitting, GX-2003/GX-2012	250.00
80-0165RK-18	Extendible probe, 18', twist fitting, GX-2003/GX-2012	250.00
80-0171RK	Probe, 10", plastic, GF-256, for GX-8000/RX-8000	70.00
80-0172	Probe with hydrophobic filter, dust filter, no scrubber section, for GX-6000 (not for Cl2 use)	28.00
80-0172-01	Probe with hydrophobic filter, no dust filter or scrubber section, for GX-6000 (for Cl2 use)	28.00
80-0173	Probe with tube, GF-267, with middle section for scrubber, for GX-6000	26.00
80-0182RK	Probe, with internal paper dust filter, pleated paper type, EAGLE/GX-4000A	84.00
80-0200RK	Water trap, bowl type, for GP-204	35.00

Numerical Index

Part#	Description	Suggested Retail
80-0211RK	Water Trap (bowl type) with 1641 fittings with pleated paper filter, EAGLE	85.00
80-0213RK	Water trap, bowl type, for GX-7/GP-226/RI-411/RI-413A	75.00
80-0221RK	Hydrophobic filter, GP-204.....	80.00
80-0224RK	Filter, hydrophobic, in-line type (ACRO-50), with EAGLE fittings (1641)	70.00
80-0225RK	Hydrophobic filter, in line, ACRO - 50 with fittings for GX-7/GX-2001/GX-2003/GX-2012/Gas Tracer and RX-415	65.00
80-0226RK	Hydrophobic filter, external, in-line, for EAGLE supertoxic versions, ACRO-50 with teflon tube, EAGLE ...	56.00
80-0402	Diluter (Gas: Air = 1:1)	88.00
80-0404RK	Dilution fitting, 50:50 for GX-2003/-2012/Gas Tracer/RP-2009/RP-6	95.00
80-0405RK	Dilution fitting 50:50, for EAGLE only (for use with hose & probe), with 1641 fittings	95.00
80-0406RK	Dilution fitting 3 to 1 for EAGLE only (for use with hose & probe), with 1641 fittings	120.00
80-0411RK	Adapter,1641 male to GX-7 male	24.00
80-0503RK	Hose,3 feet, W/1641 fittings,EAGLE	38.00
80-0504RK	Hose,4 ft,w/1641 fittings,Eagle	39.00
80-0505RK	Hose, 5' polyurethane with fittings (standard gas versions only), EAGLE / EAGLE 2	40.00
80-0506RK	Hose, 6', polyurethane, EAGLE, with 1641 fittings	42.00
80-0506RKT	Hose, 6', teflon lined, (for heavy hydrocarbon use), with 1641 fittings, EAGLE/EAGLE 2	100.00
80-0510RK	Hose, 10', polyurethane (for standard gases only), with 1641 fittings, EAGLE/EAGLE 2	45.00
80-0515RK	Hose, 15', polyurethane (for standard gases only), with 1641 fittings, EAGLE/EAGLE 2	50.00
80-0520RK	Hose, 20', polyurethane (for standard gases only), with 1641 fittings, EAGLE/EAGLE 2	55.00
80-0525RK	Hose, 25', polyurethane (for standard gases only), with 1641 fittings, EAGLE/EAGLE 2	60.00
80-0530RK	Hose, 30', polyurethane (for standard gases only), with 1641 fittings, EAGLE/EAGLE 2	70.00
80-0535RK	Hose,35 feet, W/1641 fittings,EAGLE	75.00
80-0540RK	Hose, 40', polyurethane (for standard gases only), with 1641 fittings, EAGLE/EAGLE 2	80.00
80-0550RK	Hose, 50', polyurethane (for standard gases only), with 1641 fittings, EAGLE/EAGLE 2	90.00
80-0560RK	Hose, 60', polyurethane (for standard gases only), with 1641 fittings, EAGLE/EAGLE 2	100.00
80-0575RK	Hose, 75', polyurethane (for standard gases only), with 1641 fittings, EAGLE/EAGLE 2	115.00
80-0599RK	Hose, 100', polyurethane (for standard gases only), with 1641 fittings, EAGLE/EAGLE 2	140.00
80-0599RK-125	Hose, 125', polyurethane (for standard gases only), with 1641 fittings, EAGLE/EAGLE 2	170.00
80-0605RK	Hose, 5' teflon lined, with fittings (PID versions only), EAGLE / EAGLE 2	110.00
80-0610RK	Hose,10 ft,w/1641 fittings,teflon w/polyurethane jacket,Eagle/Eagle2	120.00
80-0620RK	Hose, 20' teflon lined, with fittings (PID versions only), EAGLE/EAGLE 2	160.00
80-0802RK	Float probe assembly, 12', (without dilution fitting), EAGLE tank tester version	340.00
81-0000RK-01	Cylinder, H2, 1000 ppm in Air, 34L	55.00
81-0000RK-03	Cylinder, H2, 1000 ppm in Air, 103L	155.00
81-0000RK-21	Cylinder, H2, 2000 ppm in Air, 34L	55.00
81-0000RK-23	Cylinder, H2, 2000 ppm in Air, 103L	155.00
81-0000RK-31	Cylinder, H2, 4000 ppm in Air, 34L	55.00
81-0000RK-33	Cylinder, H2, 4000 ppm in Air, 103L	155.00
81-0000RK-41	Cylinder, H2, 3000 ppm in Air, 34L	55.00
81-0000RK-51	Cylinder, H2, 200 ppm in Air, 34L	55.00
81-0000RK-61	Cylinder, H2, 5000 ppm in Air, 34L	55.00
81-0000RK-63	Cylinder, H2, 5000 ppm in Air, 103L	155.00
81-0000RK-71	Cylinder,H2,500 ppm in Air,34L	55.00
81-0000RK-73	Cylinder, H2, 500 ppm in Air, 103L	155.00
81-0001RK-01	Cylinder, H2, 25% LEL in Air, 34L	55.00
81-0001RK-21	Cylinder, H2, 1.2%(30% LEL) in Air, 34L	55.00
81-0001RK-23	Cylinder, H2, 1.2%(30% LEL) in Air, 103L	155.00
81-0001RK-31	Cylinder, H2, 1.3% vol (33 % LEL) in Air, 34L	55.00
81-0001RK-33	Cylinder, H2, 2% in Helium, 103L	480.00
81-0001RK-60	Cylinder,H2,60% LEL in Air,34L	55.00
81-0002RK-01	Cylinder, H2, 50% LEL in Air, 34L	55.00
81-0002RK-03	Cylinder, H2, 50% LEL in Air, 103L	155.00
81-0002RKA-01	Cylinder,H2,50% LEL/ 12% O2 in N2,34L	55.00
81-0003RK-01	Cylinder, Propane, 25% LEL in Air, 34L	55.00
81-0003RK-03	Cylinder, Propane, 25% LEL in Air, 103L.....	155.00
81-0003RK-13	Cylinder, Propane, 10% LEL in Air, 103L.....	155.00
81-0003RK-17	Cylinder,Propane,10% LEL in Air,17L	45.00
81-0003RK-33	Cylinder, Propane, 30% LEL in Air, 103L.....	155.00
81-0004RK-01	Cylinder, Propane, 50% LEL in Air, 34L	55.00
81-0004RK-03	Cylinder, Propane, 50% LEL/Air, 103L	155.00

Numerical Index

Part#	Description	Suggested Retail
81-0006RK-01	Cylinder, nButane, 9000 ppm/Air, 34L	55.00
81-0007RK-01	Cylinder, Hexane, 15% LEL/Air, 34L	55.00
81-0007RK-03	Cylinder, Hexane, 10% LEL (0.11%) in Air, 103L.....	155.00
81-0009RK	Cylinder, Hexane, 40% LEL in Air, 17L	45.00
81-0010RK-01	Cylinder, Methane, 10% LEL in Air, 34L	55.00
81-0010RK-03	Cylinder, Methane, 10% LEL in Air, 103L	155.00
81-0011RK-01	Cylinder, Methane, 10% vol in N2, 34L	55.00
81-0012RK	Cylinder, Methane, 50% LEL in Air, 17L	45.00
81-0012RK-01	Cylinder, Methane, 50% LEL in Air, 34L	55.00
81-0012RK-03	Cylinder, Methane, 50% LEL/Air, 103L	155.00
81-0012RK-21	Cylinder, Methane, 25% LEL in Air, 34L	55.00
81-0013RK-01	Cylinder, Methane, 50% volume in N2, 34L	55.00
81-0013RK-05	Cylinder, Methane, 50% volume in N2, 58L steel	150.00
81-0014RK	Cylinder, IPA, 10% LEL in Air, 17L size (8 liters gas) 120 psi	65.00
81-0015RK-03	Cylinder, Methane, 5% volume in Air, 103L	155.00
81-0016RK-05	Cylinder, Methane 100% volume, 58L steel	140.00
81-0017RK-01	Cylinder, isobutane 500 ppm in Air, 34L	55.00
81-0018RK	Cylinder, isobutane 50% LEL in Air, 17L.....	45.00
81-0018RK-01	Cylinder, isobutane 50% LEL in Air, 34L.....	55.00
81-0018RK-03	Cylinder, isobutane 50% LEL in Air, 103L	155.00
81-0019RK	Cylinder, isobutane 10% in N2, 17L	60.00
81-0020RK-03	Cylinder, Methane, 20% LEL in Air, 103L	155.00
81-0021RK-01	Cylinder, isobutane 20% LEL in Air, 34L.....	55.00
81-0022RK-01	Cylinder, hydrogen 4% volume in N2, 34L	60.00
81-0023RK-01	Cylinder,H2,8% volume in nitrogen,34L	60.00
81-0024RK-01	Cylinder, hydrogen 100%, 34L	55.00
81-0025RK-01	Cylinder,35% CO2/50% CH4,balance N2,34L	55.00
81-0026RK-01	Cylinder, isobutane 250 ppm in Air, 34L	55.00
81-0026RK-03	Cylinder, isobutane 250 ppm in Air, 103L	165.00
81-0027-05	Cylinder, Carbon Dioxide 40% / Methane 60% volume in N2, 58L steel	155.00
81-0028RK	Cylinder,50% LEL acetylene in Air,17 liter	45.00
81-0030RK-03	Cylinder,Ethylene,2000 ppm in Air,103L	165.00
81-0031RK-01	Cylinder, methane 40% LEL (2% vol) in Air, 34L	55.00
81-0050RK-03	Cylinder,Oxy,10 ppm in N2,103L	155.00
81-0061RK-01	Cylinder,CO,5% volume in N2,34L	75.00
81-0062RK-01	Cylinder, Carbon Monoxide 50 ppm in N2, 34L	55.00
81-0062RK-03	Cylinder, Carbon Monoxide, 50 ppm in N2, 103L	155.00
81-0063RK-01	Cylinder, Carbon Monoxide, 20 ppm in Air, 34L	55.00
81-0064RK-01	Cylinder, CO, 50 ppm in Air, 34L.....	55.00
81-0064RK-03	Cylinder, CO, 50 ppm in Air, 103L	155.00
81-0065RK-01	Cylinder, CO, 100 ppm in Air, 34 liter	55.00
81-0065RK-03	Cylinder, CO, 100 ppm in Air, 103L.....	155.00
81-0066RK-01	Cylinder, CO, 200 ppm in Air, 34L	55.00
81-0066RK-03	Cylinder, CO, 200 ppm in Air, 103L.....	155.00
81-0068RK-01	Cylinder, CO, 100 ppm in N2, 34L	55.00
81-0068RK-03	Cylinder, CO, 100 ppm in N2, 103L.....	155.00
81-0069RK-01	Cylinder, CO, 200 ppm in N2, 34L	55.00
81-0069RK-03	Cylinder, CO, 200 ppm in N2, 103L.....	155.00
81-0070RK-01	Cylinder, CO2, 2000 ppm in N2, 34L	55.00
81-0070RK-03	Cylinder, CO2, 2000 ppm in N2, 103L	155.00
81-0071RK-01	Cylinder, CO2, 5000 ppm in N2, 34L	55.00
81-0071RK-03	Cylinder, CO2, 5000 ppm in N2, 103L	155.00
81-0072RK-01	Cylinder, CO2, 2.5% in N2, 34L	55.00
81-0072RK-03	Cylinder, CO2, 2.5% in N2, 103L	155.00
81-0073RK-01	Cylinder, CO2, 15% in N2, 34L	55.00
81-0073RK-03	Cylinder, CO2, 15% in N2, 103L	155.00
81-0074RK-03	Cylinder, O2, 2% in N2, 103L	155.00
81-0075RK-01	Cylinder, O2, 10% in N2, 34L	55.00
81-0075RK-03	Cylinder, O2, 10% in N2, 103L	155.00
81-0076RK-01	Cylinder, Zero Air, 34 L	55.00
81-0076RK-03	Cylinder, Zero Air, 103L	155.00

Numerical Index

Part#	Description	Suggested Retail
81-0077RK-01	Cylinder, Compressed Air, 34L	55.00
81-0078RK-01	Cylinder, N2 100%, 34L	55.00
81-0078RK-03	Cylinder, N2 100%, 103L.....	155.00
81-0079RK-01	Cylinder, Methane, 500 ppm in Air, 34L.....	55.00
81-0079RK-03	Cylinder, Methane, 500 ppm in Air, 103L	155.00
81-0080RK-03	Cylinder, Methane, 50 ppm in Air, 103L.....	155.00
81-0081RK-01	Cylinder, R-22 (Freon 22), 2000 ppm in Air, 34L.....	95.00
81-0082RK	Cylinder, R-12 (Freon-12), 2000 ppm/Air, 17L	75.00
81-0082RK-01	Cylinder, R-12 (Freon-12), 2000 ppm/Air, 34L	110.00
81-0082RK-03	Cylinder, R-12 (Freon-12), 2000 ppm/Air, 103L	195.00
81-0083RK-03	Cylinder, Hexane, 400 ppm in Air, 103L	195.00
81-0083RK-04	Cylinder, Hexane, 400 ppm in Air, 34AL.....	135.00
81-0084RK-01	Cylinder, R-134A (Freon 134A), 2, 000 ppm in Air, 34L	105.00
81-0085RK-01	Cylinder, Methane, 1,000 ppm in Air, 34L	55.00
81-0085RK-03	Cylinder, Methane, 1,000 ppm Air, 103L	155.00
81-0086RK-01	Cylinder, Methane, 5000 ppm in Air, 34L	55.00
81-0088RK-03	Cylinder, Pentane, 1000 ppm in Air, 103L	155.00
81-0089RK-01	Cylinder, CO 50 ppm / Hexane 15% LEL / O2 12 % in N2, 34L	55.00
81-0089RK-03	Cylinder, CO 50 ppm / Hexane 15% LEL / O2 12 % in N2, 103L	195.00
81-0090RK-01	Cylinder, CO 50 ppm / Methane 50% LEL / O2 12 % in N2, 34L	55.00
81-0090RK-03	Cylinder, CO 50 ppm / Methane 50% LEL / O2 12 % in N2, 103L	195.00
81-0091RK	Cylinder, Pentane 25% LEL / CO 100 ppm / O2 19% in N2, 17L	45.00
81-0092RK-03	Cylinder, Propane 50 % LEL / CO 50 ppm / O2 12% in N2, 103L	195.00
81-0093RK	Cylinder, Pentane 25% LEL / CO 50 ppm / O2 12% in N2, 17L	45.00
81-0093RK-03	Cylinder, Pentane 25% LEL / CO 50 ppm / O2 12% in N2, 103L	195.00
81-0094RK	Cylinder, nbutane 50% LEL / O2 12% / N2, 17L.....	45.00
81-0095RK	Cylinder,Oxygen 25% Vol in N2,17L	60.00
81-0096RK-01	Cylinder,13.8 %vol CO2/8 %vol butane/N2 balance,34L	48.00
81-0096RK-03	Cylinder,50%LEL Pentane/Air,103L	155.00
81-0101RK	Cylinder, Methane 50% LEL/17% O2 in N2, 17L	45.00
81-0101RK-03	Cylinder, Methane 50% LEL/17% O2 in N2, 103L	155.00
81-0102RK-04	Cylinder, Toluene 400 ppm in Air, 34L	175.00
81-0103RK-01	Cylinder, isobutylene 100 ppm in Air, 34L (steel cylinder)	55.00
81-0103RK-03	Cylinder, isobutylene 100 ppm in Air, 103L	155.00
81-0103RK-04	Cylinder, isobutylene 100 ppm in Air, 34AL (aluminum cylinder)	165.00
81-0104RK-01	Cylinder, isobutylene 10 ppm in Air, 34L	55.00
81-0104RK-03	Cylinder, isobutylene 10 ppm in Air, 103L.....	155.00
81-0104RK-04	Cylinder, isobutylene 10 ppm in Air, 34AL (aluminum cylinder)	135.00
81-0137RK-04	Cylinder,25 ppm H2S/100 ppm CO/50 %LEL CH4/18 %vol O2,34L	165.00
81-0138RK-04	Cylinder,10 ppm H2S/300 ppm CO/1.45 %vol CH4/15 %vol O2,34L	165.00
81-0139RK-04	Cylinder,20 ppm H2S/60 ppm CO/1.45 %vol CH4/15 %vol O2,34L	175.00
81-0140RK-02	Cylinder, H2S 50 ppm/50% LEL isobutane in N2, 58AL.....	255.00
81-0140RK-04	Cylinder, H2S 50 ppm/50% LEL isobutane in N2, 34AL.....	175.00
81-0141RK-04	Cylinder,H2S 20 ppm/60 ppm CO/29%LEL CH4/15% O2 in N2,34L.....	175.00
81-0142RK-02	Cylinder, SO2 5 PPM / H2S 25 ppm / CO 50 ppm / CH4 50% LEL / O2 12% in N2, 58AL	260.00
81-0142RK-04	Cylinder, SO2 5 PPM / H2S 25 ppm / CO 50 ppm / CH4 50% LEL / O2 12% in N2, 34AL	170.00
81-0143RK-02	Cylinder, isobutylene 100 ppm / H2S 25 ppm / CO 50 ppm / CH4 50% LEL / O2 12% in N2, 58AL	300.00
81-0143RK-04	Cylinder, isobutylene 100 ppm / H2S 25 ppm / CO 50 ppm / CH4 50% LEL / O2 12% in N2, 34AL	220.00
81-0145RK-02	Cylinder, H2S 500 ppm in N2, 58AL	190.00
81-0145RK-16	Cylinder, H2S 500 ppm in N2, 116AL	255.00
81-0146RK-02	Cylinder, H2S 200 ppm in N2, 58AL	175.00
81-0147RK-02	Cylinder, H2S, 1 ppm in N2, 58AL	190.00
81-0149RK-02	Cylinder, H2S 5 ppm in N2, 58AL	175.00
81-0150RK-02	Cylinder, H2S 10 ppm in N2, 58AL	175.00
81-0150RK-04	Cylinder, H2S 10 ppm in N2, 34AL	135.00
81-0151RK-02	Cylinder, H2S 25 ppm in N2, 58AL	175.00
81-0151RK-04	Cylinder, H2S 25 ppm in N2, 34AL	125.00
81-0152RK-02	Cylinder, H2S 50 ppm in N2, 58AL	175.00
81-0152RK-04	Cylinder,50 ppm H2S/N2,34L	135.00
81-0153RK-02	Cylinder, H2S 50 ppm in AIR, 58AL	175.00
81-0154RK-02	Cylinder, H2S 25 ppm / CO 50 ppm / CH4 50% LEL / O2 12% in N2, 58AL	240.00

Numerical Index

Part#	Description	Suggested Retail
81-0154RK-04	Cylinder, H2S 25 ppm / CO 50 ppm / CH4 50% LEL / O2 12% in N2, 34AL	165.00
81-0154RK-06	Bump test cylinder, H2S 40 ppm / CO 100 ppm / Methane 50% LEL / O2 12% in N2, 11AL aerosol	55.00
81-0154RK-06-10	Bump test cylinder, H2S 40 ppm / CO 100 ppm / Methane 50% LEL / O2 12% in N2, 11AL aerosol, with balloon and cal cup for GX-2009	70.00
81-0154RK-06-11	Bump test cylinder, H2S 40 ppm / CO 100 ppm / Methane 50% LEL / O2 12% in N2, 11AL aerosol, with red plastic straw and gas bag for GX-2012	75.00
81-0154RK-116	Cylinder, H2S 25 ppm / CO 50 ppm / CH4 50% LEL / O2 12% in N2, 116AL	340.00
81-0155RK-02	Cylinder, H2S 25 ppm / CO 50 ppm / HEX 15% LEL / O2 12% in N2, 58AL	245.00
81-0155RK-04	Cylinder, H2S 25 ppm / CO 50 ppm / HEX 15% LEL / O2 12% in N2, 34AL	275.00
81-0156RK-02	Cylinder, H2S 25 ppm / CO 50 ppm / Pentane 32% LEL / O2 14% in N2, 58AL	245.00
81-0156RK-52	Cylinder, H2S 25 ppm / CO 50 ppm / Pentane 50% LEL / O2 12% in N2, 58AL	245.00
81-0158RK-02	Cylinder, H2S 25 ppm / CO 50 ppm / isobutane 50% LEL / O2 12% in N2, 58AL	245.00
81-0158RK-04	Cylinder, H2S 25 ppm / CO 50 ppm / isobutane 50% LEL / O2 12% in N2, 34AL	170.00
81-0160RK-02	Cylinder, 10ppm H2S/50 ppm CO/50%LEL CH4/12% O2,58L	245.00
81-0161RK-02	Cylinder, 25ppm H2S/100ppm CO/2.5% CH4/18% O2,58L	245.00
81-0161RK-04	Cylinder, 25ppm H2S/100ppm CO/2.5% CH4/18% O2,34L	170.00
81-0162RK-04	Cylinder, 25ppm H2S/100ppm CO/2.5% CH4/19% O2,34L	170.00
81-0163RK-04	Cylinder, 25ppm H2S/50ppm CO/1.1%vol propane/18% O2,34L	170.00
81-0164RK-02	Cylinder, 25ppm H2S/150ppm CO/2.5% CH4/15% O2,58L	245.00
81-0165RK-02	Cylinder, Silane 5 ppm in N2, 58AL	380.00
81-0170RK-02	Cylinder, SO2 5 ppm in N2, 58AL	175.00
81-0170RK-04	Cylinder, SO2 5 ppm in N2, 34AL	135.00
81-0174RK-02	Cylinder, Ammonia, 50ppm in N2, 58L	320.00
81-0175RK-02	Cylinder, Ammonia, 10 ppm in N2, 58AL	350.00
81-0175RK-04	Cylinder, Ammonia, 10 ppm in N2, 34AL	225.00
81-0176RK-02	Cylinder, Ammonia, 25 ppm in N2, 58AL	350.00
81-0176RK-04	Cylinder, Ammonia, 25 ppm in N2, 34AL	225.00
81-0177RK-03	Cylinder, Nitrogen Trifluoride, 25 ppm in N2, 100L	480.00
81-0180RK-02	Cylinder, NO2, 10 ppm in Air, 58AL	350.00
81-0180RK-04	Cylinder, NO2, 10 ppm in Air, 34AL	230.00
81-0181RK-02	Cylinder, NO, 25 ppm in N2, 58AL	350.00
81-0181RK-04	Cylinder, NO, 25 ppm in N2, 34AL	230.00
81-0182RK-02	Cylinder, NO2, 5 ppm in Air, 58AL	350.00
81-0182RK-04	Cylinder, NO2, 5 ppm in Air, 34AL	230.00
81-0185RK-02	Cylinder, Phosphine, 0.5 ppm in N2, 58AL	380.00
81-0185RK-04	Cylinder, Phosphine, 0.5 ppm in N2, 34AL	280.00
81-0186RK-02	Cylinder, Phosphine, 5 ppm in N2, 58L	380.00
81-0190RK-02	Cylinder, Cl2, 5 ppm in N2, 58AL	350.00
81-0190RK-04	Cylinder, Cl2, 5 ppm in N2, 34AL	235.00
81-0191RK-02	Cylinder, Cl2, 10 ppm in N2, 58AL	350.00
81-0191RK-04	Cylinder, Cl2, 10 ppm in N2, 34AL	235.00
81-0192RK-02	Cylinder, Cl2, 2 ppm in N2, 58AL	350.00
81-0192RK-04	Cylinder, Cl2, 2 ppm in N2, 34AL	235.00
81-0194RK-02	Cylinder, HCl, 10 ppm in N2, 58AL	350.00
81-0195RK-02	Cylinder, HCl, 5 ppm in N2, 58AL	350.00
81-0195RK-04	Cylinder, HCl, 5 ppm in N2, 34AL	265.00
81-0196RK-02	Cylinder, HCN, 10 ppm in N2, 58AL	350.00
81-0196RK-04	Cylinder, HCN, 10 ppm in N2, 34AL	235.00
81-0900RK	Gas check card for FP-250 & FP-270 series only	15.00
81-1001RK	Dispensing valve, 17/34L	28.00
81-1003RK	Regulator, econo, no gauge, no knob, 17/34L, 0.5 LPM	65.00
81-1004RK	Regulator, econo, with gauge, no knob, 34AL/58/103L, 0.5 LPM	85.00
81-1050RK	Regulator, with gauge & knob, 17/34L, 0.5 LPM	125.00
81-1050RK-20	Regulator, with gauge & knob, 17L/34L, 0.20 LPM	125.00
81-1050RK-25	Regulator, with gauge & knob, 17L/34L, 0.25 LPM	125.00
81-1051RK	Regulator, with gauge & knob, 34AL/58AL/103L, 0.5 LPM	125.00
81-1051RK-10	Regulator, with gauge & knob, 34AL/58AL/103L, 1.0 LPM	125.00
81-1051RK-20	Regulator, with gauge & knob, 34AL/58/103L, 2.0LPM	125.00
81-1051RK-25	Regulator, with gauge and knob, 34AL/58AL/103L, 0.25 LPM	125.00
81-1051RK-30	Regulator, with gauge and knob, 34AL/58AL/103L, 3.0 LPM	125.00
81-1051RK-60	Regulator, with gauge & knob, 34AL/58AL/103L, 6.0 LPM	125.00

Numerical Index

Part#	Description	Suggested Retail
81-1052RK	Regulator, with gauge & knob, stainless steel, 34AL/58AL/103L, 0.5 LPM	240.00
81-1054RK	Regulator, demand flow for 34AL/58AL/103L	280.00
81-1054RK-CGA33	Regulator, demand flow, with CGA330	320.00
81-1054RK-CGA35	Regulator, demand flow, with CGA350	355.00
81-1054RK-CGA59	Regulator, demand flow, with CGA590	355.00
81-1054RK-NPT	Regulator,demand flow,58/103L,w/1/4 NPT female thread on cylinder end	300.00
81-1055RK	Regulator, demand flow for 17L/34L steel cylinders.....	280.00
81-1057RK-180	Regulator,with gauge & knob,CGA 180,for 552L 5E cyl,0.5LPM	180.00
81-1057RK-580	Regulator,with gauge & knob,CGA 580,for 552L 5E cyl,0.5LPM	180.00
81-1057RK-590	Regulator,with gauge & knob,CGA 590,for 552L 5E cyl,0.5LPM	180.00
81-1059RK-20	Regulator, with gauge & knob, 17/34L, 2.0 LPM	125.00
81-1061RK	Regulator,with gauge & trigger,34AL/58/103L,0.5LPM (model 4210)	200.00
81-1070RK	Recycling tool, releases all pressure from 34AL/58AL/103L cylinders	88.00
81-1071RK	Recycling tool, releases all pressure from 17L/34L cylinders	88.00
81-1101RK	Calibration adaptor for SD-703RI	140.00
81-1102RK	Calibration cup, for GD-F44	125.00
81-1103RK	Calibration cup, for IR 3/4" NPT sensor	15.00
81-1103RK-01	Calibration cup / splash guard, for IR 3/4" NPT sensor, with diffuser holes	40.00
81-1104RK	Calibration adapter for -01 series & GasWatch 2	33.00
81-1106RK	Sample adaptor for GX-2001 or GX-2009, rigid plastic, used with RP-6	26.00
81-1107RK	Calibration cap for GX-2001 and GX-2009.....	15.00
81-1109RK	Cal cup for 82 single gas series, GX-82/86/91B (Not for GX-82A or GX-86A)	50.00
81-1112RK	Cal cup, LEL, Screw on,w/fitings, for 1/2 NPT sensor	40.00
81-1113RK	Cal cup, PS-2, with Screws	5.00
81-1114RK	Cal cup, diffusion, super toxic, GD-K8A, (rim feed)	20.00
81-1116RK	Cal cup/splash guard assembly, for CT7 sensor housing	60.00
81-1117RK	Cal cup, standard, fixed systems, for conduit mounting, LEL/O2/H2S/CO, (NPT type)	40.00
81-1117RK-05	Cal cup, standard, fixed systems, for conduit mounting, LEL/O2/H2S/CO, (NPT type), with CSA	55.00
81-1119RK	Hand-aspirated pump with hose (10') and probe, GX-94.....	115.00
81-1120RK	Cal cup, for GD-A8 and GD-A8V,w/fitting	100.00
81-1122RK	Cal cup, for RKI potted 1/2 NPT sensor	40.00
81-1122RK-01	Cal cup w/diffuser holes, for RKI potted 1/2 NPT	45.00
81-1126RK	Gas bag with fitting & hose barb, 9" x 9" tedlar, 2 liters	27.00
81-1127RK	Gas bag with fitting & hose barb, 12x12, tedlar, 5 liters	29.00
81-1128RK	Gas bag with fitting & hose barb, 15 x 15, tedlar, 10 liters	44.00
81-1129RK	Gas bag with fitting & hose barb, tedlar, 6 Liter	84.00
81-1131RK	Gas bag, Green, LEL range, for RI/RX-415	45.00
81-1132RK	Gas bag, Orange, Volume range, for RI/RX-415.....	45.00
81-1133RK	Sample adapter,screw-on,CT-7 type fixed sensor,flow through	45.00
81-1134RK	Sample Adapter for 01 Series.....	30.00
81-1135RK	Assembly, Sample Adapter w/Hose Barb for 01 Series.....	35.00
81-1135RK-01	Sample adapter assembly with hose barb & 1 foot tube for -01 series	35.00
81-1138RK	Cal cup, for ESM-01 diffusion sensors, fixed systems (not for Cl2 or NH3)	48.00
81-1138RK-CL2	Cal cup, for ESM-01 diffusion chlorine sensors, fixed systems	48.00
81-1138RK-NH3	Cal cup, for ESM-01 diffusion ammonia sensors, fixed systems	48.00
81-1139RK	Calibration cup, for general SC-01 use, (NOT for CL2 or NH3)	80.00
81-1139RK-CL2	Calibration cup, for chlorine (Cl2) SC-01	80.00
81-1139RK-NH3	Calibration cup, for ammonia (NH3) SC-01	80.00
81-1144RK	Calibration cup for GD-A2400 and SD-2500	140.00
81-1145RK	Gas bag,PVC,10.1 x 8.1 inches,2 liter,w/2.5 inch tube	18.00
81-1146	Calibration adapter for 03 series	30.00
81-1148	Calibration cup for SD-1GP/SD-1GH (except SD-1GH for NH3)	120.00
81-1148-NH3	Calibration cup for SD-1GP (NH3) / SD-1RI	120.00
81-1149	Calibration cup for GD-A88	70.00
81-1152RK	Shell for GX-86/-86A, with fitting, aspirator adaptor (Cal cup for GX-86A)	48.00
81-1153	Cal cup for OX-600 / EC-600	45.00
81-1160RK	Hand aspirated sampler, with 10' hose and probe, GX-2001 or GX-2009	95.00
81-1160RK-15	Hand aspirated sampler, with 15' hose and probe, GX-2001 or GX-2009	96.00
81-1160RK-20	Hand aspirated sampler, with 20' hose and probe, GX-2001 or GX-2009	97.00
81-1160RK-30	Hand aspirated sampler, with 30' hose and probe, GX-2001 or GX-2009	100.00
81-1160RK-40	Hand aspirated sample adapter,GX-2001,w/40'hose	105.00

Numerical Index

Part#	Description	Suggested Retail
81-1160RK-45	Hand aspirated sample adapter,GX-2001,w/45' hose	108.00
81-1160RK-NH	Hand aspirated sample adapter,GX-2001,no hose	49.00
81-1173RK-10	Sample draw adaptor with hand aspirator, 10' hose and probe, -01 series	100.00
81-1176RK	RP-2009 pump with 4" rubber nipple for GX-2009 or GX-2001	360.00
81-1177RK	RP-2009 pump with 4" rubber nipple, 10' hose and probe for GX-2009 or GX-2001	420.00
81-1177RK-20	RP-2009 pump with 4" rubber nipple, 20' hose and probe for GX-2009 or GX-2001	425.00
81-1177RK-30	RP-2009 pump,w/30 ft hose/10 inch probe/4 inch nipple	430.00
81-1190RK	Splash guard for ESM-01 detectors	15.00
81-1500RK	Cylinder holder for 58 liter aluminum cylinders	16.00
81-1501RK	Cylinder holder for 103 liter steel cylinders and 116 liter aluminum cylinders	16.00
81-1502RK	Cylinder holder for 17/34 liter steel cylinders, and for 34 liter aluminum cylinders	16.00
81-2100RK	Confined space kit includes padded case, hand aspirator assembly with 10' hose, and probe (instrument and charger sold separately)	150.00
81-2101P1-DLV	Cal kit, EAGLE 2, 34L cyl H2/Air, 34L cyl 10 ppm isobutylene in air, demand flow reg, case & tubing	430.00
81-2113RK	CSK,GX-2012,w 34 liter 4-gas cylinder demand flow regulator cal kit,w/out instrument	525.00
81-2120RKA	Confined space kit includes padded case, RP-2009 pump, 10' hose, and probe (instrument and charger sold separately)	480.00
81-2123RK	Confined space kit with hand aspirator assembly with 10' hose, probe, 34AL H2S (25 ppm)/CO/O2/CH4, reg, padded case, calibration cap, and cal tubing (instrument and charger sold separately)	465.00
81-2124RK	Confined space kit with RP-6 pump, 10' hose, probe, calibration cap, 34AL H2S (25 ppm)/CO/O2/CH4, reg, padded case, and cal tubing (instrument and charger sold separately)	420.00
81-2124RKA	Confined space kit with RP-2009 pump, 10' hose, probe, calibration cap, 34AL H2S (25 ppm)/CO/O2/CH4, reg, padded case, and cal tubing (instrument and charger sold separately)	800.00
81-5101RK	Cal kit, EAGLE/EAGLE 2, 103L cyl 50% LEL Methane/Air, dem flow reg, case & tubing	495.00
81-5101RK-20	Cal kit, EAGLE/EAGLE 2, 103L cyl 20% LEL Methane/Air, dem flow reg, case & tubing	495.00
81-5101RK-DLV	Cal kit, EAGLE/EAGLE 2, 34L cyl 50% LEL Methane/Air, dem flow reg, case & tubing	410.00
81-5101RK-H2	Cal kit, EAGLE, 103L cyl 50% LEL Hydrogen/Air, dem flow reg, case & tubing	495.00
81-5101RK-H2B	Cal kit, EAGLE, 103L cyl 50% LEL Hydrogen/Air, reg, gas bag, case & tubing	365.00
81-5101RK-H2DLV	Cal kit, EAGLE, 34L cyl 50% LEL Hydrogen/Air, dem reg, case & tubing	410.00
81-5101RK-H2LV	Cal kit, EAGLE, 34L cyl 50% LEL Hydrogen/Air, disp valve, gas bag, case & tubing	185.00
81-5101RK-HDLV	Cal kit, EAGLE, 34L cyl 15% LEL Hexane/Air, dem reg, case & tubing	410.00
81-5101RK-HLV	Cal kit, EAGLE, 34L cyl 15% LEL Hexane/Air, disp valve, gas bag, case & tubing	185.00
81-5101RK-ISO	Cal kit, EAGLE, 103L cyl 50% LEL Isobutane/Air, dem flow reg, case & tubing	495.00
81-5101RK-LV	Cal kit, EAGLE, 34L cyl 50% LEL Methane/Air, disp valve, sample bag, case & tubing	185.00
81-5101RK25DLV	Cal Kit,EAG,25% LEL methane,demand reg,34L	410.00
81-5101RKI-DLV	Cal kit, EAGLE, 34L cyl 50% LEL Isobutane/Air, dem flow reg, case & tubing	410.00
81-5101RKIPADLV	Cal Kit,EAG,10% LEL IPA,demand reg,17L	425.00
81-5101RKP	Cal kit, EAGLE, 103L cyl 50% LEL Propane/Air, dem flow reg, case & tubing	495.00
81-5102RK-DLV	Cal kit, EAGLE/EAGLE 2, 34L cyl 100% Nitrogen, dem flow reg, case & tubing	410.00
81-5102RK-LV	Cal kit, EAGLE, 34L cyl 100% N2, disp valve, gas bag, case & tubing	185.00
81-5102RKNL	Cal kit, EAGLE, with no gas, disp valve, gas bag, case & tubing	130.00
81-5103RK-DLV	Cal kit, EAGLE, 34AL cyl 25 ppm Hydrogen Sulfide/N2,dem flow reg, case & tubing	485.00
81-5103RK1000	Cal kit, EAGLE, 58AL cyl 50 ppm Hydrogen Sulfide/N2,reg, gas bag, case & tubing	385.00
81-5104RK-LV	Cal kit, EAGLE, 34L cyl 50 ppm Carbon Monoxide/Air, disp valve, gas bag, case & tubing	185.00
81-5105RK-LV	Cal kit, EAGLE, 34AL cyl 5 ppm SO2/N2, reg, gas bag, screwdriver, case & tubing	370.00
81-5106RK	Cal kit, EAGLE, 58AL cyl 2 ppm Chlorine/N2, dem flow reg, screwdriver, case & tubing	700.00
81-5106RK-DLV	Cal kit, EAGLE, 34AL cyl 2 ppm Chlorine/N2, dem reg, screwdriver, case & tubing	605.00
81-5106RK-LV	Cal kit, EAGLE, 34AL cyl 2 ppm Chlorine/N2, reg, gas bag, screwdriver, case & tubing	475.00
81-5107RKS-LV	Cal kit, EAGLE, 34AL cyl PH3/N2, 34L cyl N2 100%, reg, gas bag, screwdriver, case & tubing	705.00
81-5108RK	Cal kit, EAGLE, 58AL cyl 0.5 ppm Phosphine/N2, dem flow reg, screwdriver, case & tubing	730.00
81-5108RK-DLV	Cal kit, EAGLE, 34AL cyl 0.5 ppm Phosphine/N2, dem reg, screwdriver, case & tubing	645.00
81-5110RK	Cal kit, EAGLE, 58AL cyl 5 ppm Hydrogen Chloride/N2, reg, gas bag,screwdriver, case & tubing	570.00
81-5110RK-LV	Cal kit, EAGLE, 34AL cyl 5 ppm Hydrogen Chlorine/N2, reg, gas bag, screwdriver, case & tubing	505.00
81-5111RK	Cal kit, EAGLE, 58AL cyl 10 ppm Ammonia/N2, dem flow reg, screwdriver, case & tubing	700.00
81-5111RK-DLV	Cal kit, EAGLE, 34AL cyl 10 ppm Ammonia/N2, dem reg, screwdriver, case & tubing	570.00
81-5111RK01	Cal kit, EAGLE, 58AL cyl 10 ppm Ammonia/N2, dem flow reg, screwdriver, case & tubing	700.00
81-5111RK01-DLV	Cal kit, EAGLE, 34AL cyl 25 ppm Ammonia/N2, dem reg, screwdriver, case & tubing	595.00
81-5111RK01-LV	Cal kit, EAGLE, 34AL cyl 10 ppm Ammonia/N2,reg, gas bag, screwdriver, case & tubing	445.00
81-5112RK	Cal kit, EAGLE, 58AL cyl 2 ppm Chlorine/N2, dem flow reg, screwdriver, case & tubing	700.00
81-5112RK-LV	Cal Kit, EAGLE, 34AL cyl 2 ppm Chlorine/N2, reg with gauge & knob, gas bag, screwdriver, case & tubing	475.00

Numerical Index

Part#	Description	Suggested Retail
81-5113RK	Cal Kit, EAGLE, 58AL cyl 25 ppm Nitric Oxide/N2, dem flow reg, screwdriver, case & tubing	700.00
81-5114RK	Cal Kit, EAGLE, 58AL cyl 10 ppm Nitrogen Dioxide/Air, dem flow reg, screwdriver, case & tubing	700.00
81-5114RK-LV	Cal kit, EAGLE, 34AL cyl 10 ppm Nitrogen Dioxide/Air, reg with gauge & knob, screwdriver, case & tubing	470.00
81-5115RK02	Cal kit, EAGLE, 103L cyl 5,000 ppm CO2/N2, dem flow reg, screwdriver, case & tubing	495.00
81-5115RK03	Cal kit, EAGLE, 103L cyl 2.5% CO2/N2, dem flow reg, screwdriver, case & tubing	495.00
81-5115RK04DLV	Cal kit, EAGLE, 34L cyl 15% CO2 in N2, dem reg, case & tubing	415.00
81-5115RK05-LV	Cal kit, EAGLE, 34L cyl 15% CO2/N2, disp valve, gas bag, screwdriver, case & tubing.....	190.00
81-5120RK	Cal kit, EAGLE, 58L cyl 50% vol Methane/N2, dem flow reg, screwdriver, case & tubing	490.00
81-5120RK-LV	Cal kit, EAGLE, 34L 50% vol Methane/N2, disp valve, gas bag, screwdriver, case & tubing.....	190.00
81-5123RK-DLV	Cal kit, EAGLE, 34AL cyl 10 ppm Hydrogen Cyanide/N2, dem reg, screwdriver, case & tubing	605.00
81-5201RK	Cal kit, EAGLE, 103L cyl CH4/CO/O2, dem flow reg, case & tubing	535.00
81-5201RK-DLV	Cal kit, EAGLE, 34L cyl CH4/CO/O2, dem reg, screwdriver, case & tubing	410.00
81-5201RK-HLV	Cal kit, EAGLE, 34L cyl CO/Hex/O2, disp valve, gas bag, case & tubing	185.00
81-5201RK-LV	Cal kit, EAGLE, 34L cyl CH4/CO/O2, disp valve, gas bag, case & tubing	185.00
81-5201RKH	Cal kit, EAGLE, 103L cyl CO/Hex/O2, dem flow reg, case & tubing	535.00
81-5201RKH2-DLV	Cal Kit,EAG,LEL H2/O2,demand reg,34L	470.00
81-5201RKIB-DLV	Cal kit, EAGLE, 34L cyl isobutane/air, 34L 100% N2, dem reg, case & tubing	470.00
81-5201RKP	Cal kit, EAGLE, 103L cyl CO/Pentane/O2, dem flow reg, case & tubing	535.00
81-5201RKTR1	Cal kit, EAGLE, 103L cyl 50% LEL H2/Air, 103L cyl 100% N2, dem flow reg, case & tubing	650.00
81-5201RKTR1-LV	Cal kit, EAGLE, 34L cyl 50% LEL H2/Air, 34L cyl 100% N2, disp valve, gas bag, case & tubing.....	240.00
81-5202RK	Cal kit, EAGLE, 103 L cyl CH4/CO/O2, dem flow reg, case & tubing	535.00
81-5202RK-H	Cal kit, EAGLE, 103L cyl 15% LEL HEX/CO/O2, dem flow reg, case & tubing	535.00
81-5202RK-LV	Cal kit, EAGLE, 34L cyl CH4/CO/O2, disp valve, gas bag, case & tubing	185.00
81-5202RKPRODLV	Cal kit, EAGLE, 34L cyl LEL propane/air, 34L 100% nitrogen, dem flow reg, case & tubing.....	310.00
81-5203RK	Cal kit, EAGLE, 58AL cyl H2S (25 ppm)/CO/CH4/O2, dem flow reg, case & tubing	580.00
81-5203RK-LV	Cal kit, EAGLE, 34AL cyl H2S (25 ppm)/CO/CH4/O2, reg with gauge & knob, gas bag, case & tubing	395.00
81-5204RK-DLV	Cal kit, EAGLE, 34L cyl isobutane/air, 34L 100% N2, dem reg, case & tubing	410.00
81-5212RK-LV	Cal kit, EAGLE, 34AL cyl NH3/N2, 58AL cyl SiH4/N2, reg with gauge & knob, gas bag, screwdriver, case & tubing	820.00
81-5213RK-LV	Cal kit, EAGLE, 34AL cyl Cl2/N2, 58AL cyl SiH4/N2, reg with gauge & knob, gas bag, screwdriver, case & tubing	830.00
81-5221RK	Cal kit, EAGLE, 58AL cyl SO2/ N2, 58AL cyl HCl/N2, dem flow reg, screwdriver, case & tubing	875.00
81-5222RK02	Cal kit, EAGLE, 103L cyl 5,000 ppm CO2/N2, dem flow reg, screwdriver, case & tubing	495.00
81-5222RK02-LV	Cal kit, EAGLE, 34L cyl 5,000 ppm CO2/N2, disp valve, gas bag, screwdriver, case & tubing	185.00
81-5222RK03	Cal kit, EAGLE, 103L cyl 2.5% CO2/N2, dem flow reg, screwdriver, case & tubing	495.00
81-5222RK05	Cal kit, EAGLE, 103L cyl 15% CO2/N2, dem flow reg, screwdriver, case & tubing	495.00
81-5223RK02	Cal kit, EAGLE, 103L cyl 5,000 ppm CO2/N2, 58AL cyl NH3/N2, dem flow reg, screwdriver, case & tubing	845.00
81-5223RK03	Cal kit, EAGLE, 103L cyl 2.5% CO2/N2, 58AL cyl NH3/N2, dem flow reg, screwdriver, case & tubing	855.00
81-5234RK-DLV	Cal kit, EAGLE, 34AL cyl 10 ppm NH3/N2, 103L cyl 50 ppm CO/air, dem flow reg, screwdriver, case & tubing	720.00
81-5238RK	Cal kit, EAGLE, 103L cyl 50% LEL CH4/Air, 58L cyl 50% vol CH4/N2, dem flow reg, screwdriver, case & tubing	645.00
81-5243RK02	Cal kit, EAGLE, 103L cyl 50% LEL Methane/Air, 103L cyl 5,000 ppm CO2/N2, dem flow reg, screwdriver, case & tubing	650.00
81-5244RK-DLV	Cal kit, EAGLE, 34AL 5 ppm SO2 in n2, 34AL cyl 10 ppm NO2 in n2, dem reg, case & tubing.....	735.00
81-5256RK-LV	Cal kit, EAGLE, 34AL cyl Cl2/N2, 34AL cyl NH3/N2, reg with gauge & knob, gas bag, screwdriver, case & tubing	900.00
81-5259RK-LV	Cal kit, EAGLE, 34AL cyl NH3/N2, reg with gauge & knob, gas bag, screwdriver, case & tubing.....	465.00
81-5262RK-LV	Cal kit, EAGLE, 34L cyl 50% LEL H2/Air, 34AL cyl PH3/N2, disp valve, reg with gauge & knob, gas bag, screwdriver, case & tubing	605.00
81-5265RK02-DLV	Cal kit, EAGLE, 34AL 25 ppm H2S in N2, 103L cyl 5000 ppm CO2 in N2, dem reg, case & tubing	620.00
81-5265RK03-DLV	Cal kit, EAGLE, 34AL 25 ppm H2S in N2, 103L cyl 2.5% CO2 in N2, dem reg, case & tubing	620.00
81-5265RK04-DLV	Cal kit, EAGLE, 34AL 25 ppm H2S in N2, 103L cyl 15% CO2 in N2, dem reg, case & tubing	615.00
81-5265RK04KLV	Cal Kit,EAG,50 ppm H2S/N2,58AL,15% CO2,103L, reg, gas bag	545.00
81-5266RK-LV	Cal kit, EAGLE, 34AL cyl Cl2/N2, 34AL cyl HCl/N2, reg with gauge & knob, gas bag, screwdriver, case & tubing	740.00
81-5272RK-LV	Cal kit, EAGLE, 34AL cyl SO2/N2, 34AL cyl NH3/N2, reg with gauge & knob, gas bag, screwdriver, case & tubing	600.00
81-5278RKH2-DLV	Cal kit, EAGLE, 34L cyl 50% LEL Hydrogen/Air, 34L cyl 50 ppm CO/Air, dem flow reg, screwdriver, case & tubing	465.00

Numerical Index

Part#	Description	Suggested Retail
81-5286RK	Cal kit, EAGLE, 103L cyl 50% LEL CH4/Air, 103L cyl 10 ppm NO2/N2, dem flow reg, screwdriver, case & tubing	845.00
81-5296RK	Cal kit, EAGLE, 103L cyl 50% LEL CH4/Air, 58AL cyl 2 ppm Cl2/N2, dem flow reg, screwdriver, case & tubing	740.00
81-5300-09-LV	Cal kit, EAGLE/EAGLE 2, 103L cyl 20% LEL Methane/Air, dem flow reg, case & tubing	710.00
81-5301RK	Cal kit, EAGLE, 58AL cyl H2S/CO/CH4/O2, dem flow reg, case & tubing	580.00
81-5301RK-H	Cal kit, EAGLE, 58AL cyl H2S/CO/Hex/O2, dem flow reg, case & tubing	585.00
81-5301RK-LV	Cal kit, EAGLE, 34AL cyl H2S/CO/CH4/O2, reg with gauge & knob, gas bag, case & tubing	395.00
81-5302RK	Cal kit, EAGLE, 103L cyl CO/CH4/O2, dem flow reg, case & tubing	535.00
81-5302RK-H	Cal kit, EAGLE, 103L cyl CO/Hex/O2, dem flow reg, case & tubing	535.00
81-5302RK-HDLV	Cal kit, EAGLE, 34L cyl CO/Hex/O2, dem flow reg, case & tubing	415.00
81-5302RK-HLV	Cal kit, EAGLE, 34L cyl CO/Hex/O2, disp valve, gas bag, case & tubing	185.00
81-5302RK-LV	Cal kit, EAGLE, 34L cyl CO/CH4/O2, disp valve, gas bag, case & tubing	185.00
81-5302RKNG	Cal kit, EAGLE, reg with gauge & knob, gas bag, case for 58AL / 103L cylinders & tubing (No Gas)	340.00
81-5304RK-LV	Cal Kit,EAG,LEL/O2,34L, PH3/N2,34AL	505.00
81-5308RK	Cal kit, EAGLE, 103L cyl CO/CH4/O2, 58AL cyl Cl2/N2, dem flow reg, screwdriver, case & tubing	895.00
81-5310RK	Cal kit, EAGLE, 103L cyl CO/CH4/O2, 58AL cyl Cl2/N2, dem flow reg, screwdriver, case & tubing	895.00
81-5316RK-03	Cal kit, EAGLE, 103L cyl 2.5% CO2/N2, 103L cyl CO/CH4/O2/N2, dem flow reg, screwdriver, case & tubing	690.00
81-5316RK01	Cal kit, EAGLE, 103L cyl d 2,000 ppm CO2/N2, 103L cyl CO/CH4/O2, dem flow reg, screwdriver, case & tubing	690.00
81-5316RK01-LV	Cal kit, EAGLE, 34L cyl of 2,000 ppm CO2/ N2, 34L cyl CO/CH4/O2, disp valve, gas bag, case & tubing ...	245.00
81-5316RK01DLV	Cal kit, EAGLE, 34L cyl 2,000 ppm CO2/N2, 34L cyl CO/CH4/O2/N2, dem flow reg, screwdriver, case & tubing	470.00
81-5316RK02	Cal kit, EAGLE, 103L cyl 5000 ppm CO2/N2, 103L cyl CO/CH4/O2/N2, dem flow reg, screwdriver, case & tubing	630.00
81-5316RK02-LV	Cal kit, EAGLE, 34L cyl of 5,000 ppm CO2/ N2, 34L cyl CO/CH4/O2, disp valve, gas bag, case & tubing ...	210.00
81-5316RK03-DLV	Cal kit, EAGLE, 34L cyl 2.5% CO2/N2, 34L cyl CO/CH4/O2/N2, dem flow reg, screwdriver, case & tubing ...	470.00
81-5316RK03-HLV	Cal kit, EAGLE, 34L cyl 2.5% CO2/N2, 34L cyl CO/Hex/O2, disp valve, gas bag, screwdriver, case & tubing	245.00
81-5316RK03-LV	Cal kit, EAGLE, 34L cyl of 2.5% CO2/ N2, 34L cyl CO/CH4/O2, disp valve, gas bag, case & tubing	210.00
81-5316RK04	Cal kit, EAGLE, 103L cyl 15% CO2/N2, 34L cyl CO/CH4/O2, dem flow reg, screwdriver, case & tubing	690.00
81-5316RK04-DLV	Cal Kit,EAG,LEL/OXY/CO2,34L,W/DEMAND REG	460.00
81-5322RK	Cal kit, EAGLE, 58L cyl 50% vol CH4/N2, 103L cyl CO/50% LEL CH4/O2/N2, dem flow reg, screwdriver, case & tubing	685.00
81-5322RK-LV	Cal kit, EAGLE, 34L cyl 50% vol CH4/N2, 34L cyl CO/CH4/O2/N2, disp valve, gas bag, screwdriver, case & tubing	240.00
81-5326RK02-DLV	Cal Kit,EAG,O2/CO/5000 ppm CO2,34L,dem flow reg	470.00
81-5327RK	Cal kit, EAGLE, 58AL cyl H2S/N2, 58AL cyl SO2/N2, 58AL cyl HCl/N2, dem flow reg, screwdriver, case & tubing	1,265.00
81-5330RK	Cal kit, EAGLE, 58AL cyl H2S/N2, 58AL cyl NH3/N2, dem flow reg, case & tubing	865.00
81-5330RK-DLV	Cal kit, EAGLE, 34AL cyl H2S/N2, 34AL cyl NH3/N2, dem flow reg, screwdriver, case & tubing	695.00
81-5331RK-LV	Cal kit, EAGLE, 34L cyl 50% LEL CH4/air, 34AL cyl 5 ppm SO2/N2, 34AL cyl 10 ppm NO2/Air, reg with gauge & knob, disp valve, gas bag, screwdriver, case & tubing	690.00
81-5335RK-05	Cal kit, EAGLE, 58L cyl 50% vol CH4/N2, 103L cyl 15% CO2/N2, dem flow reg, screwdriver, case & tubing	645.00
81-5337RK	Cal kit, EAGLE, 58AL cyl H2S/CO/CH4/O2, dem flow reg, case & tubing	580.00
81-5339RK	Cal kit, EAGLE, 58AL cyl 5 ppm HCl/N2, reg with gauge & knob, gas bag, screwdriver, case & tubing	725.00
81-5350RK-DLV	Cal kit, EAGLE, 103L cyl 50% LEL Methane/Air, 58AL cyl SiH4/N2, 34AL cyl Cl2/N2, dem flow reg, case & tubing	1,185.00
81-5354RKIB-DLV	Cal kit, EAGLE, 34AL cyl 25 ppm H2S/CO/50% LEL isobutane/O2/N2, dem flow reg, screwdriver, case & tubing	530.00
81-5354RKIB-LV	Cal kit, EAGLE, 34AL cyl 25 ppm H2S/CO/50% LEL isobutane/O2/N2, reg with gauge & knob, gas bag, screwdriver, case & tubing	405.00
81-5355RK	Cal kit, EAGLE, 58AL cyl 50 ppm H2S/50% LEL isobutane/N2, reg with gauge & knob, gas bag, screwdriver, case & tubing	470.00
81-5355RK-LV	Cal kit, EAGLE, 34AL cyl 50 ppm H2S/50% LEL isobutane/N2, reg with gauge & knob, gas bag, screwdriver, case & tubing	410.00
81-5355RK-NG	Cal kit, EAGLE, reg with gauge & knob, gas bag, screwdriver, case for 58AL / 103L cylinders & tubing (No Gas)	215.00
81-5371RK03	Cal Kit,EAG,O2/H2S/CO2 2.5%,103L	615.00
81-5371RK05	Cal kit, EAGLE, 34AL cyl H2S/N2, 103L cyl 15% CO2/N2, dem flow reg, screwdriver, case & tubing	620.00
81-5384RK03-DLV	Cal kit, EAGLE, 34L cyl 2.5% CO2/N2, 17L cyl CO/Isobutane/O2, dem flow reg, screwdriver, case & tubing	460.00

Numerical Index

Part#	Description	Suggested Retail
81-5394RKH2-DLV	Cal kit, EAGLE, 103L cyl 50% LEL H2 in n2, 103L cyl 100 ppm CO in air, 34AL 5 ppm SO2 in n2, dem flow reg, screwdriver, case & tubing	860.00
81-5401RK	Cal kit, EAGLE, 58AL cyl H2S (25 ppm)/CO/CH4/O2, dem flow reg, case & tubing	580.00
81-5401RK-DLV	Cal kit, EAGLE, 34AL cyl H2S (25 ppm)/CO/CH4/O2, dem flow reg, case & tubing	510.00
81-5401RK-H	Cal kit, EAGLE, 58AL cyl H2S/CO/Hex/O2, dem flow reg, case & tubing	585.00
81-5401RK-HLVD	Cal kit, EAGLE, 34AL cyl H2S/CO/Hex/O2, dem flow reg, case & tubing	630.00
81-5401RK-LV	Cal kit, EAGLE, 34AL cyl H2S (25 ppm)/CO/CH4/O2, reg with gauge & knob, gas bag, case & tubing	395.00
81-5401RK-P	Cal kit, EAGLE, 58AL cyl H2S/CO/32% LEL Pent/O2, dem flow reg, case & tubing	585.00
81-5401RKD	Cal kit, EAGLE, 58AL cyl H2S (25 ppm)/CO/CH4/O2,reg with gauge & knob, cal cup, case & tubing	455.00
81-5401RKIB-DLV	Cal kit, EAGLE, 34AL cyl 25 ppm H2S/CO/50% LEL isobutane/O2/N2, dem flow reg, case & tubing	525.00
81-5401RKNG	Cal kit, EAGLE, reg with gauge & knob, gas bag, case for 58AL / 103L cylinders & tubing (No Gas)	340.00
81-5401RKNG-LV	Cal kit, EAGLE, reg with gauge & knob, gas bag, screwdriver, case for 17/34L cylinders & tubing (No Gas)	230.00
81-5402RK	Cal kit, EAGLE, 58AL cyl H2S (25 ppm)/CO/CH4/O2, 58AL cyl SO2/N2, dem flow reg, case & tubing.....	755.00
81-5403RK	Cal kit, EAGLE, 58AL cyl SO2/CO/LEL/O2, dem flow reg, case & tubing	710.00
81-5403RK-DLV	Cal Kit,EAG,SO2/N2 34AL, CO/CH4/O2 103L,dem reg	670.00
81-5404RK	Cal kit, EAGLE, 58AL cyl H2S (25 ppm)/CO/CH4/O2, 58AL cyl Cl2/N2, dem flow reg, screwdriver, case & tubing	940.00
81-5405RK	Cal kit, EAGLE, 103L cyl CO/CH4/O2, 58AL cyl Cl2/N2, dem flow reg, screwdriver, case & tubing	895.00
81-5406RK	Cal kit, EAGLE, 103L cyl CO/LEL/O2, 58AL cyl NH3/N2, 58AL cyl Cl2/N2, dem flow reg, screwdriver, case & tubing	1,310.00
81-5406RK-LV	Cal kit, EAGLE, 34L cyl CO/CH4/O2, 34AL cyl Cl2/N2, disp valve, reg with gauge & knob, case & tubing ...	785.00
81-5406RK-P	Cal kit, EAGLE, 103L cyl 25% LEL Pent/CO/O2, 58AL cyl NH3/N2, dem flow reg, screwdriver, case & tubing	1,200.00
81-5407RK	Cal kit, EAGLE, 34L cyl CO/CH4/O2, 34AL cyl SO2/N2, 34AL cyl NO/Air, disp valve, reg with gauge & knob, case & tubing	1,135.00
81-5407RK-LV	Cal Kit,EAG,Cl2/NH3/LEL/O2,34L	705.00
81-5408RK-LV	Cal kit, EAGLE, 34AL cyl NH3/N2, 34AL cyl PH3/N2, 34L cyl CO/CH4/O2, reg with gauge & knob, dispensing valve, gas bag, screwdriver, case & tubing	830.00
81-5410RK	Cal kit, EAGLE, 58AL cyl H2S (25 ppm)/CO/CH4/O2, 58AL cyl NH3/N2, dem flow reg, screwdriver, case & tubing	940.00
81-5410RK-LV	Cal kit, EAGLE, 34AL cyl H2S (25 ppm)/CO/CH4/O2, 34AL cyl NH3/N2, reg with gauge & knob, gas bag, screwdriver, case & tubing	630.00
81-5412RK	Cal kit, EAGLE, 103L cyl CO/LEL/O2, 58AL cyl 25 ppm NH3/N2, dem flow reg, screwdriver, case & tubing	895.00
81-5412RK-DLV	Cal kit, EAGLE, 103L cyl CO/LEL/O2, 34AL cyl 25 ppm NH3/N2, dem flow reg, screwdriver, case & tubing	770.00
81-5412RK01-LV	Cal kit, EAGLE, 34L cyl CO/CH4/O2, 34AL cyl 25 ppm NH3/N2, disp valve, reg with gauge & knob, gas bag, screwdriver, case & tubing	505.00
81-5412RKH	Cal kit, EAGLE, 103L cyl CO/Hex/O2, 58AL cyl 25 ppm NH3/N2, dem flow reg, screwdriver, case & tubing	960.00
81-5415RK-LV	Cal Kit,EAG,LEL/O2/CO,34L, NO/N2,34AL,disp valve,bag	505.00
81-5416RK01	Cal kit, EAGLE, 103L cyl 2,000 ppm CO2/N2, 103L cyl CO/CH4/O2, dem flow reg, screwdriver, case & tubing	690.00
81-5416RK01-DLV	Cal kit, EAGLE, 34L cyl 2,000 ppm CO2/N2, 34L cyl CO/CH4/O2, dem flow reg, screwdriver, case & tubing	470.00
81-5416RK01-LV	Cal Kit,EAG,LEL/O2/CO/CO2,34L	210.00
81-5416RK02	Cal kit, EAGLE, 103L cyl 5,000 ppm CO2/N2, 103L cyl CO/CH4/O2, dem flow reg, screwdriver, case & tubing	690.00
81-5416RK03	Cal kit, EAGLE, 103L cyl 2.5% CO2/N2, 103L cyl CO/CH4/O2, dem flow reg, screwdriver, case & tubing ...	690.00
81-5416RK03-DLV	Cal kit, EAGLE, 34L cyl 2.5% CO2/N2, 34L cyl CO/CH4/O2, dem flow, screwdriver, case & tubing	470.00
81-5416RK03-LV	Cal kit, EAGLE, 34L cyl 2.5% CO2/N2, 34L cyl CO/CH4/O2, disp valve, gas bag, screwdriver, case & tubing	245.00
81-5416RK04-LV	Cal kit, EAGLE, 34L cyl 15% CO2/N2, 34L cyl CO/CH4/O2, disp valve, gas bag, screwdriver, case & tubing	245.00
81-5417RK	Cal kit, EAGLE, 34L cyl CO/CH4/O2, 34AL cyl Cl2/N2, disp valve, reg with gauge & knob, gas bag, screwdriver, case & tubing	895.00
81-5421RK	Cal kit, EAGLE, 34L cyl CO/CH4/O2, 34AL cyl Cl2/N2, disp valve, reg with gauge & knob, gas bag, screwdriver, case & tubing	1,045.00
81-5422RK	Cal kit, EAGLE, 34L cyl CO/CH4/O2, 34AL cyl SO2/N2, 34AL cyl Cl2/N2, disp valve, reg with gauge & knob, screwdriver, case & tubing	900.00
81-5438RK	Cal kit, EAGLE, 58L cyl 50% vol CH4/N2, 103L cyl CO/50% LEL CH4/O2/N2, dem flow reg, screwdriver, case & tubing	685.00
81-5438RK-LV	Cal kit, EAGLE, 34L cyl 50% vol CH4/N2, 34L CO/CH4/O2/N2, disp valve, gas bag, screwdriver, case & tubing	240.00
81-5439RK01	Cal kit, EAGLE, 103L cyl 2,000 ppm CO2/N2, 58AL cyl 25 ppm H2S/CO/CH4/O2/N2, dem flow reg, screwdriver, case & tubing	735.00

Numerical Index

Part#	Description	Suggested Retail
81-5439RK01-H	Cal kit, EAGLE, 58AL cyl 25 ppm H2S/CO/15% LEL Hexane/O2/N2, 103L cyl 2,000 ppm CO2/N2, dem flow reg, screwdriver, case & tubing	740.00
81-5439RK02-DLV	Cal kit, EAGLE, 34L cyl 5,000 ppm CO2/N2, 34AL cyl H2S/CO/CH4/O2, dem reg, screwdriver, case & tubing	660.00
81-5439RK02-LV	Cal kit, EAGLE, 34L cyl 5,000 ppm CO2/N2, 34AL cyl H2S/CO/CH4/O2, disp valve, reg with gauge & knob, gas bag, screwdriver, case & tubing	480.00
81-5439RK03-DLV	Cal kit, EAGLE, 34L cyl 2.5% vol CO2/N2, 34AL cyl H2S/CO/CH4/O2, dem reg, screwdriver, case & tubing	660.00
81-5439RK03-H	Cal kit, EAGLE, 103L cyl 2.5% CO2/N2, 58AL cyl H2S/CO/CH4/O2, dem flow reg, screwdriver, case & tubing	740.00
81-5439RK03-HLV	Cal kit, EAGLE, 34L cyl 2.5% CO2/N2, 34AL cyl H2S/CO/CH4/O2, disp valve, reg with gauge & knob, gas bag, screwdriver, case & tubing	590.00
81-5439RK04-HLV	Cal kit, EAGLE, 34L cyl 15% CO2/N2, 34AL cyl H2S/CO/Hex/O2, disp valve, reg with gauge & knob, gas bag, case & tubing	590.00
81-5439RK05-DLV	Cal kit, EAGLE, 34L cyl 15% CO2/N2, 34AL cyl 25 ppm H2S/CO/CH4/O2/N2, dem flow reg, screwdriver, case & tubing	660.00
81-5440RK	Cal kit, EAGLE, 103L cyl CO/LEL/O2, 58AL cyl PH3/N2, 58AL cyl HCl/N2, reg with gauge & knob, gas bag, screwdriver, case & tubing	1,340.00
81-5440RKH	Cal kit, EAGLE, 103L cyl CO/15% LEL Hexane/O2/N2, 58AL cyl PH3/N2, 58AL cyl HCl/N2, reg with gauge & knob, gas bag, screwdriver, case & tubing	1,490.00
81-5441RK	Cal kit, EAGLE, 58L cyl 50% vol CH4/N2, 103L cyl CO/CH4/O2, dem flow reg, screwdriver, case & tubing	685.00
81-5442RK	Cal kit, EAGLE, 58L cyl 50% vol CH4/N2, 58AL cyl 25 ppm H2S/CO/50% LEL CH4/O2/N2, dem flow reg, screwdriver, case & tubing	730.00
81-5445RK-LV	Cal kit, EAGLE, 34L cyl CO/N2, 34AL cyl NH3/N2, 34AL cyl Cl2/N2, disp valve, reg with gauge & knob, gas bag, screwdriver, case & tubing	785.00
81-5448RK05H2	Cal kit, EAGLE, 103L cyl 50% LEL H2/N2, 103L cyl 15% CO2/N2, 34AL cyl NH3/N2, dem flow reg, screwdriver, case & tubing	950.00
81-5451RK	Cal kit, EAGLE, 58L cyl 50% vol CH4/N2, 58AL cyl H2S/CO/CH4/O2, dem flow reg, case & tubing	730.00
81-5452RK	Cal Kit,EAG,LEL/O2/C, 103L, HCN/N2, 58AL,dem flow reg	815.00
81-5452RK-LV	Cal kit, EAGLE, 34L cyl CO/CH4/O2, 34AL cyl HCN/N2, reg with gauge & knob, disp valve, gas bag, case & tubing	535.00
81-5464RK-LV	Cal kit, EAGLE, 34L cyl CO/CH4/O2/N2, 34AL cyl 10 ppm NH3/N2, reg with gauge & knob, disp valve, gas bag, screwdriver, case & tubing	605.00
81-5468RK03-DLV	Cal Kit,EAG,LEL/O2/H2S/CO2,34L,dem flow reg	630.00
81-5468RK03-LV	Cal kit, EAGLE, 34L cyl 2.5% CO2/N2, 34AL cyl 25 ppm H2S/CO/CH4/O2/N2, reg with gauge & knob, disp valve, gas bag, screwdriver, case & tubing	480.00
81-5473RK-LV	Cal kit, EAGLE, 34L cyl CO/CH4/O2, 34AL cyl Cl2/N2, 34L cyl 100% N2, reg with gauge & knob, disp valve, gas bag, screwdriver, case & tubing	770.00
81-5474RK03	Cal Kit,EAG,LEL/CH4vol/O2/CO2 2.5%,103,58L	835.00
81-5474RK04	Cal kit, EAGLE, 58L cyl 50% vol CH4/N2, 103L cyl 5,000 ppm CO2/N2, 103L cyl CO/50% LEL CH4/O2/N2, dem flow reg, screwdriver, case & tubing	905.00
81-5474RK05	Cal Kit,EAG,LEL/O2/H2S, 34AL, 15% CO2,103L	660.00
81-5474RK20	Cal kit, EAGLE, 58L cyl 50% vol CH4/N2, 103L cyl 5,000 ppm CO2/N2, 103L cyl CO/50% LEL CH4/O2/N2, dem flow reg, screwdriver, case & tubing	905.00
81-5488RKH-LV	Cal kit, EAGLE, 34L cyl CO/Hex/O2, 34AL cyl PH3/N2, 34AL cyl HCN/N2, reg with gauge & knob, disp valve, gas bag, screwdriver, case & tubing	840.00
81-5501RK	Cal kit, EAGLE, 58AL cyl H2S/CO/CH4/O2, 58AL cyl SO2/N2, dem flow reg, screwdriver, case & tubing ...	755.00
81-5501RK-DLV	Cal kit, EAGLE, 34AL cyl H2S/CO/CH4/O2, 34AL cyl SO2/N2, dem flow reg, screwdriver, case & tubing ...	660.00
81-5501RK-H	Cal kit, EAGLE, 58AL cyl H2S/CO/Hex/O2, 58AL cyl SO2/N2, dem flow reg, case & tubing	760.00
81-5502RK	Cal kit, EAGLE, 103L cyl 10% LEL Hex/Air, 58AL cyl H2S/CO/CH4/O2, 58AL cyl Cl2/N2, dem flow reg, screwdriver, case & tubing	940.00
81-5503RK	Cal kit, EAGLE, 58AL cyl H2S/CO/CH4/O2, 58AL cyl NH3/N2, dem flow reg, screwdriver, case & tubing ...	940.00
81-5503RK-DLV	Cal kit, EAGLE, 34AL cyl 25 ppm H2S/CO/CH4/O2, 34AL cyl NH3/N2, dem flow reg, screwdriver, case & tubing	750.00
81-5504RK01	Cal kit, EAGLE, 103L cyl 2,000 ppm CO2/N2, 58AL cyl 25 ppm H2S/CO/CH4/O2, dem flow reg, screwdriver, case & tubing	735.00
81-5504RK01-HLV	Cal kit, EAGLE, 34L cyl 2,000 ppm CO2/N2, 34AL cyl H2S/CO/Hex/O2, reg with gauge & knob, disp valve, gas bag, screwdriver, case & tubing	590.00
81-5504RK02	Cal kit, EAGLE, 103L cyl 5,000 ppm CO2/N2, 58AL cyl 25 ppm H2S/CO/CH4/O2, dem flow reg, screwdriver, case & tubing	735.00
81-5504RK02-DLV	Cal Kit,EAG,LEL/O2/CO/H2S 34AL,CO2 5000 ppm 103L, Dem Reg	660.00
81-5504RK03	Cal kit, EAGLE, 103L cyl 2.5% CO2/N2, 58AL cyl 25 ppm H2S/CO/CH4/O2, dem flow reg, screwdriver, case & tubing	735.00

Numerical Index

Part#	Description	Suggested Retail
81-5504RK03-DLV	Cal kit, EAGLE, 103L cyl 2,5% CO2/N2, 34AL cyl H2S/CO/CH4/O2, dem flow reg, screwdriver, case & tubing	660.00
81-5504RK03-LV	Cal kit, EAGLE, 34L cyl 2,5% CO2/N2, 34AL cyl H2S/CO/CH4/O2, reg with gauge & knob, disp valve, gas bag, screwdriver, case & tubing	480.00
81-5504RK04-LV	Cal kit, EAGLE, 34L cyl 15% CO2/N2, 34AL cyl H2S/CO/CH4/O2, reg with gauge & knob, disp valve, gas bag, screwdriver, case & tubing	480.00
81-5504RK05	Cal kit, EAGLE, 103L cyl 15% CO2/N2, 58AL cyl 25 ppm H2S/CO/CH4/O2, dem flow reg, screwdriver, case & tubing	735.00
81-5505RK	Cal kit, EAGLE, 103L cyl CO/CH4/O2, 58AL cyl SO2/N2, 58AL cyl Cl2/N2, dem flow reg, screwdriver, case & tubing	1,130.00
81-5506RK	Cal kit, EAGLE, 103L cyl CO/CH4/O2, 58AL cyl NH3/N2, 58AL cyl Cl2/N2, dem flow reg, screwdriver, case & tubing	1,310.00
81-5508RKH-LV	Cal kit, EAGLE, 34AL cyl H2S/CO/Hex/O2, 34AL cyl HCl/N2, reg with gauge & knob, screwdriver, case & tubing	780.00
81-5510RK-LV	Cal kit, EAGLE, 34L cyl CO/CH4/O2, 34AL cyl SO2/N2, 34AL cyl NO/N2, disp valve, reg with gauge & knob, gas bag, screwdriver, case & tubing	690.00
81-5520RK03	Cal kit, EAGLE, 103L cyl 2.5% CO2/N2, 103L cyl CO/CH4/O2, 58AL cyl NH3/N2, dem flow reg, case & tubing	1,115.00
81-5525RK	Cal kit, EAGLE, 58AL cyl H2S/CO/CH4/O2, 58AL cyl Cl2/N2, dem flow reg, screwdriver, case & tubing	940.00
81-5526RK-LV	Cal kit, EAGLE, 34AL cyl H2S/CO/CH4/O2, 34AL cyl NH3/N2, 34AL cyl Cl2/N2, reg with gauge & knob, gas bag, screwdriver, case & tubing	865.00
81-5529RK-DLV	Cal kit, EAGLE, 34AL cyl 25 ppm H2S/CO/CH4/O2/N2, 34AL cyl 2 ppm Chlorine/N2, dem flow reg, screwdriver, case & tubing	770.00
81-5549RK	Cal kit, EAGLE, 103L cyl 50% LEL Hydrogen/Air, 103L cyl 100% N2, 58AL cyl H2S/CO/CH4/O2, 58AL cyl 2 ppm Chlorine/N2, dem flow reg, screwdriver, case & tubing	1,120.00
81-5550RK-HLV	Cal kit, EAGLE, 34L cyl CO/CH4/O2/N2, 34AL cyl 2 ppm Chlorine/N2, 34AL cyl 0.5 ppm Phosphine/N2, dem flow reg, screwdriver, case & tubing	840.00
81-5601RK	Cal kit, EAGLE, 58AL cyl H2S/CO/CH4/O2, 58AL cyl NH3/N2, 58AL cyl Cl2/N2, dem flow reg, screwdriver, case & tubing	1,345.00
81-5601RK-DLV	Cal kit, EAGLE, 34AL cyl H2S/CO/CH4/O2, 34AL cyl 10 ppm Ammonia/N2, 34AL cyl 2 ppm Chlorine/N2, dem flow reg, screwdriver, case & tubing	990.00
81-5601RK-LV	Cal kit, EAGLE, 34AL cyl H2S/CO/CH4/O2, 34AL cyl NH3/N2, 34AL cyl Cl2/N2, reg with gauge & knob, gas bag, screwdriver, case & tubing	865.00
81-5606RK-LV	Cal kit, EAGLE, 34AL cyl H2S/CO/CH4, 34AL cyl PH3/N2, 34AL cyl HCl/N2, reg with gauge & knob, gas bag, screwdriver, case & tubing	950.00
81-5608RK02	Cal kit, EAGLE, 103L cyl 5,000 ppm CO2/N2, 58AL cyl H2S/CO/CH4/O2, 58AL cyl NH3/N2, dem flow reg, screwdriver, case & tubing	1,160.00
81-5608RK02-LV	Cal kit, EAGLE, 34L cyl 5,000 ppm CO2/N2, 34AL cyl H2S/CO/CH4/O2, disp valve, reg with gauge & knob, gas bag, screwdriver, case & tubing	715.00
81-5608RK03-DLV	Cal kit, EAGLE, 103L cyl 2.5% CO2/N2, 34AL cyl H2S/CO/CH4/O2, 34AL cyl NH3/N2, dem flow reg, screwdriver, case & tubing	960.00
81-5608RK03-LV	Cal kit, Eagle,LEL/O2/CO/HS/NH3/CO2(2.5&)	640.00
81-5609RK01	Cal kit, EAGLE, 103L cyl 2,000 ppm CO2/N2, 58AL cyl H2S/CO/CH4/O2, 58AL cyl NO2/Air, dem flow reg, screwdriver, case & tubing	1,160.00
81-5612RK03-LV	Cal kit, EAGLE, 34AL cyl 25 ppm H2S/CO/CH4/O2, 34AL cyl Cl2/N2, 34L cyl CO2/N2, reg with gauge & knob, disp valve, gas bag, screwdriver, case & tubing	720.00
81-5616RK03-LV	Cal kit, EAGLE, 34L cyl 2.5% CO2/N2, 34AL cyl 25 ppm H2S/CO/CH4/O2/N2, 34AL SO2/N2, reg with gauge & knob, disp valve, gas bag, screwdriver, case & tubing	615.00
81-6AAX-DLV	Cal Kit, GX-6000, 34AL cyl 10 ppm isobutylene in air, 34AL cyl H2S/CO/CH4/O2, dem flow reg, case & tubing	655.00
81-6ABI-DLV	Cal Kit, GX-6000, 34AL cyl 100 ppm Isobutylene/H2S/CO/CH4/O2, 34AL cyl 5 ppm SO2 in N2, dem flow reg, case, tubing	710.00
81-6ABK-DLV	Cal Kit, GX-6000, 34AL cyl 100 ppm Isobutylene/H2S/CO/CH4/O2, 34AL cyl 10 ppm NO2 in N2, dem flow reg, case, tubing	805.00
81-6ABL-DLV	Cal Kit, GX-6000, 34AL cyl 100 ppm Isobutylene/H2S/CO/CH4/O2, 34AL cyl 10 ppm HCN in N2, dem flow reg, case, tubing	810.00
81-6ABX	Cal Kit, GX-6000, 58AL cyl 100 ppm Isobutylene/H2S/CO/CH4/O2, dem flow reg, case, tubing	640.00
81-6ABX-DLV	Cal Kit, GX-6000, 34AL cyl 100 ppm Isobutylene/H2S/CO/CH4/O2, dem flow reg, case, tubing	575.00
81-6AAX	Cal kit, GX-6000, 58AL cyl CH4/O2/H2S/CO, dem flow reg, case and tubing	580.00
81-6AAX-DLV	Cal kit, GX-6000, 34AL cyl CH4/O2/H2S/CO, dem flow reg, case and tubing	520.00

Numerical Index

Part#	Description	Suggested Retail
81-6XAX-DLV	Cal Kit, GX-6000, 34AL cyl 10 ppm isobutylene in air, dem flow reg, case & tubing	490.00
81-6XBX-DLV	Cal Kit, GX-6000, 34AL cyl 100 ppm isobutylene in air, dem flow reg, case & tubing	520.00
81-9001RK-04	Cylinder,PH3, 1 ppm in N2,34AL	300.00
81-9002RK-02	Cylinder,50% LEL/20.9% O2/25 ppm H2S/50ppm CO/N2, 58AL	215.00
81-CO01-LV	Cal kit, CO-01, 34L cyl 50 ppm CO/N2, reg with gauge & knob, cal cup, case & tubing	290.00
81-CO03	Cal kit, CO-03, 103L cyl 50 ppm CO/N2, regulator, cal cup, case & tubing	370.00
81-CO03-LV	Cal kit, CO-01, 34L cyl 50 ppm CO/N2, regulator, cal cup, case & tubing	285.00
81-DM2003	DM2003 docking module for GX-2003	600.00
81-DM2009	DM2009 docking module for GX-2009	880.00
81-EC600-LV	Cal Kit, fixed for EC-600, 34L cyl 50 ppm CO in N2, reg with gauge & knob, cal cup, case & tubing	300.00
81-F001RK	Cal kit, fixed, 103L cyl 10% LEL Hexane in Air, reg with gauge & knob, cal cup, screwdriver, case & tubing	380.00
81-F001RK-LV	Cal kit, fixed, 34L cyl 15% LEL Hexane in Air, reg with gauge & knob, cal cup, screwdriver, case & tubing	295.00
81-F001RKIR-LV	Cal kit, fixed, 34L cyl 15% LEL Hexane in Air, reg with gauge & knob, cal cup for IR 3/4" NPT sensor, screwdriver, case & tubing	270.00
81-F001RKNG-LV	Cal kit, fixed for 34L size cylinder (gas sold seperately), reg with gauge & knob, cal cup, screwdriver, case & tubing	240.00
81-F001RKS-LV	Cal kit, fixed, 34L cyl 15% LEL Hexane in Air, disp valve, gas bag, screwdriver, case & tubing	160.00
81-F002RK	Cal kit, fixed, 103L cyl 50% LEL Methane in Air, reg with gauge & knob, cal cup, screwdriver, case & tubing	380.00
81-F002RK-LV	Cal kit, fixed, 34L cyl 50% LEL Methane in Air, reg with gauge & knob, cal cup, screwdriver, case & tubing	295.00
81-F004RK	Cal kit, fixed, 103L cyl 50% LEL Hydrogen in Air, reg with gauge & knob, cal cup, screwdriver, case & tubing	380.00
81-F004RK-LV	Cal kit, fixed, 34L cyl 50% LEL Hydrogen in Air, reg with gauge & knob, cal cup, screwdriver, case & tubing	295.00
81-F004RK-LVP	Cal kit, fixed, 34L cyl 50% LEL Hydrogen in Air, reg with gauge & knob, cal cup (for RKI potted sensor), screwdriver, case & tubing	295.00
81-F004RKR-10	Cal Kit, fixed, remote cal, LEL Hydrogen/air, zero air, 103L	495.00
81-F004RKS	Cal Kit, fixed, H2, 103L, gas bag	340.00
81-F004RKS-LV	Cal kit, fixed, 34L cyl 50% LEL Hydrogen in Air, disp valve, gas bag, screwdriver, case & tubing	160.00
81-F006RK	Cal kit, fixed, 103L cyl 50% LEL Propane in Air, reg with gauge & knob, cal cup, screwdriver, case & tubing	380.00
81-F006RK-LV	Cal kit, fixed, 34L cyl 50% LEL Propane in Air, reg with gauge & knob, cal cup, screwdriver, case & tubing	295.00
81-F006RKS10	Cal Kit, fixed, Propane 10% LEL, 103L, dem flow reg	595.00
81-F007RK	Cal kit, fixed, 103L cyl 1,000 ppm Hydrogen in Air, humidifier tube, reg with gauge & knob, cal cup, screwdriver, case & tubing	475.00
81-F007RK-LV	Cal kit, fixed, 34L cyl 1,000 ppm Hydrogen in Air, humidifier tube, reg with gauge & knob, cal cup, screwdriver, case & tubing	395.00
81-F007RK-LVNH	Cal Kit, fixed, 1000 PPM H2, 34L, no humidifier	315.00
81-F007RKS	Cal Kit, fixed, 1000 PPM H2, 103 ltr, dem flow reg	745.00
81-F007RKS-HLV	Cal Kit, fixed, 500 PPM Hex, 34L, gas bag, reg	425.00
81-F008RK-LV	Cal kit, fixed, 34L cyl 50% LEL Methane in Air, reg with gauge & knob, cal cup for GD-A8 / GD-A8V, screwdriver, case & tubing	355.00
81-F009RK-LV	Cal kit, fixed, 34L cyl 15% LEL Hexane in Air, reg with gauge & knob, cal cup for GD-A8 / GD-A8V, screwdriver, case & tubing	355.00
81-F010RK	Cal kit, fixed, 103L cyl 400 ppm Hexane in Air, reg with gauge & knob, cal cup for GD-A8 / GD-A8V, screwdriver, case & tubing	520.00
81-F010RK-LV	Cal kit, fixed, 34AL cyl 400 ppm Hexane in Air, humidifier tube, reg with gauge & knob, cal cup for GD-A8 / GD-A8V, screwdriver, case & tubing	535.00
81-F010RKS	Cal Kit, fixed, 2% H2 in Helium, 6LPM reg, bag, 103L	665.00
81-F011RK	Cal Kit, Diffusion, 400 PPM HEXANE, 103L	675.00
81-F011RK-LV	Cal kit, fixed, 34AL cyl 400 ppm Hexane in Air, humidifier tube, reg with gauge & knob, cal cup, screwdriver, case & tubing	475.00
81-F011RKS	Cal Kit, 400 PPM HEXANE, 103L, w/demand flow regulator	790.00
81-F011RKS-DLV	Cal Kit, 400 PPM HEXANE, 34L, w/demand flow regulator	595.00
81-F012RKS	Cal Kit, fixed, 2% H2 in Helium, 103L	665.00
81-F014RK-LV	Cal kit, fixed, 34L cyl 50% LEL Isobutane in Air, reg with gauge & knob, cal cup for GD-A8 / GD-A8V, screwdriver, case & tubing	355.00
81-F016RK	Cal kit, fixed, 103L cyl 50% LEL Isobutane in Air, reg with gauge & knob, cal cup, screwdriver, case & tubing	380.00
81-F016RK-LV	Cal kit, fixed, 34L cyl 50% LEL Isobutane in Air, reg with gauge & knob, cal cup, screwdriver, case & tubing	295.00
81-F016RK-LV-1	Cal Kit, fixed, 50% LEL IsoButane, 103L	380.00
81-F017RK-LV	Cal kit, fixed, 34L cyl 1,000 ppm Hydrogen in Air, 34L cyl Zero Air, humidifier, regulator, screwdriver, case & tubing	415.00

Numerical Index

Part#	Description	Suggested Retail
81-F018RK-LV	Cal kit, fixed, 17L cyl (8 liters gas at 120 psi) 10% LEL Isopropyl Alcohol in Air, reg with gauge & knob, cal cup, screwdriver, case and tubing	305.00
81-F018RKS-LV	Cal kit, fixed, 17L cyl (8 liters gas at 120 psi) 10% LEL Isopropyl Alcohol in Air, dispensing valve, gas bag, screwdriver, case and tubing	210.00
81-F020RK	Cal kit, fixed, 103L cyl 50% LEL Methane in Air, reg with gauge & knob, cal cup for IR 3/4" NPT sensor, screwdriver, case & tubing	355.00
81-F020RK-LV	Cal kit, fixed, 34L cyl 50% LEL Methane in Air, reg with gauge & knob, cal cup for IR 3/4" NPT sensor, screwdriver, case & tubing	270.00
81-F020RKRM	Cal Kit, fixed, remote cal, LEL Methane/air, zero air, 103L	495.00
81-F020RKRM-10	Cal Kit, fixed, LEL Methane, 103L, zero air, 103L, reg 1.0 LPM	495.00
81-F021RK	Cal Kit, fixed IR, LEL Propane, 103L	355.00
81-F021RK-10	Cal Kit, fixed IR, LEL propane, 103L	355.00
81-F021RK-LV	Cal kit, fixed, 34L cyl 50% LEL Propane in Air, reg with gauge & knob, cal cup for IR 3/4" NPT sensor, screwdriver, case & tubing	265.00
81-F021RK25-LV	Cal Kit, fixed IR, 25% LEL Propane, 34L	270.00
81-F022RK	Cal Kit, fixed IR, isobutane, 103L	355.00
81-F022RK-LV	Cal kit, fixed, 34L cyl 50% LEL Isobutane in Air, reg with gauge & knob, cal cup for IR 3/4" NPT sensor, screwdriver, case & tubing	270.00
81-F022RKRM-10	Cal Kit, fixed isobutane/air, zero air	495.00
81-F024RK	Cal kit, fixed, 103L cyl 5,000 ppm Hydrogen in Air, reg with gauge & knob, cal cup, screwdriver, case & tubing	495.00
81-F025RK	Cal kit, fixed, 103L cyl 2,000 ppm Hydrogen in Air, humidifier tube assembly, reg with gauge & knob, cal cup, screwdriver, case & tubing	495.00
81-F025RK-LV	Cal kit, fixed, 34L cyl 2,000 ppm Hydrogen in Air, humidifier tube assembly, reg with gauge & knob, cal cup, screwdriver, case & tubing	395.00
81-F026RK	Cal kit, fixed, 103L cyl 500 ppm Hexane in Air, humidifier tube assembly, reg with gauge & knob, cal cup for GD-A8 / GD-A8V, screwdriver, case & tubing	575.00
81-F026RK-LV	Cal kit, fixed, 34L cyl 500 ppm Hexane in Air, humidifier tube assembly, reg with gauge & knob, cal cup for GD-A8 / GD-A8V, screwdriver, case & tubing	535.00
81-F027RKIR	Cal kit, fixed IR diffusion, 103L cyl 1,000 ppm Pentane in Air, reg with gauge & knob, cal cup for IR 3/4" NPT sensor, screwdriver, case & tubing	355.00
81-F028RK-LV	Cal Kit, fixed diffusion, 10% LEL IPA, 34L	305.00
81-F028RKIR-IPA	Cal kit, fixed, 17L cyl (8 liters of gas at 120 psig) 10% LEL Isopropyl Alcohol in Air, reg with gauge & knob, cal cup, screwdriver, case & tubing	280.00
81-F028RKS-DLV	Cal Kit, fixed IR, 10% LEL IPA, 17 ltr, dem flow reg	420.00
81-F029RKIB-LV	Cal kit, fixed, 34L cyl 20% LEL Isobutane in Air, reg with gauge & knob, cal cup for GD-A8 / GD-A8V, screwdriver, case & tubing	355.00
81-F030RK-LV	Cal kit, fixed IR, 50 %volume Methane, 34L	270.00
81-F031RKIB-LV	Cal kit, fixed, 34L cyl 20% LEL Isobutane in Air, reg with gauge & knob, cal cup for IR 3/4" NPT sensor, screwdriver, case & tubing	270.00
81-F031RKSIB-LV	Calibration kit, fixed diffusion, 50% LEL Iso Butane/Air, 34L, w/sample bag	130.00
81-F032RK-LV	Cal kit, fixed, 34L cyl 500 ppm Isobutane in Air, humidifier tube assembly, reg with gauge & knob, cal cup for GD-A8 / GD-A8V, screwdriver, case & tubing	455.00
81-F034RK-LV	Cal kit, fixed, 34L cyl 15% LEL Hexane in Air, 34L cyl 100% zero air, reg with gauge & knob, case & tubing	350.00
81-F035RKS-DLV	Cal Kit, fixed, 1000 CH4, SD, 34L, dem flow reg	510.00
81-F038RK-LV	Cal kit, fixed, 17L cyl 40% LEL Hexane in Air, 34L cyl 100% zero air, reg with gauge & knob, case & tubing	285.00
81-F039RK-LV	Cal kit, fixed, 34L cyl 1000 ppm Hydrogen in Air, reg with gauge & knob, cal cup for GD-A8 / GD-A8V, screwdriver, case & tubing	455.00
81-F040RKS	Cal kit, fixed, 103L cyl 500 ppm H2 in Air, humidifier tube, demand flow regulator, screwdriver, case & tubing	595.00
81-F041RK-LV	Cal Kit, fixed, 1000 ppm H2/air, 34L, humidifier	395.00
81-F042RK-LV	Cal Kit, GD-A8/GD-A8V, LEL methane, 34L	355.00
81-F044RK-LV	Cal Kit, fixed, 10% LEL IPA/air, 34L, regulator	405.00
81-F047RKS	Cal Kit, fixed, 50% LEL Propane 103L, Zero Air 103L, reg, gas bag	495.00
81-F048RKS	Cal Kit, fixed, 50% LEL CH4/Air, 103L, 5 %LEL CH4/air 103L, dem flow reg	650.00
81-F055RK	Cal Kit, fixed, 10% LEL CH4 in Air, 103L, with humidifier	770.00
81-F101RK-LV	Cal kit, fixed, 34AL cyl 25 ppm Hydrogen Sulfide in N2, reg with gauge & knob, cal cup, screwdriver, case & tubing	365.00
81-F101RKS	Cal kit, fixed, 58AL cyl 25 ppm Hydrogen Sulfide in N2, demand flow reg, screwdriver, case & tubing	515.00
81-F102RK-LV	Cal kit, fixed, 34L cyl 25 ppm Hydrogen Sulfide in N2, reg with gauge & knob, GX-82/86 cal cup, screwdriver, case & tubing	380.00

Numerical Index

Part#	Description	Suggested Retail
81-F201RK	Cal kit, fixed, 103L cyl 100 ppm Carbon Monoxide in N2, reg with gauge & knob, cal cup, case & tubing	380.00
81-F201RK-LV	Cal kit, fixed, 34L cyl 100 ppm Carbon Monoxide in N2, reg with gauge & knob, cal cup, screwdriver, case & tubing	295.00
81-F201RK50-LV	Cal Kit, fixed, 50 ppm CO, 34L	315.00
81-F202RK-LV	Cal kit, fixed, 34L cyl 100 ppm Carbon Monoxide in N2, reg with gauge & knob, GX-82/86 cal cup, screwdriver, case & tubing	305.00
81-F203RK-LV	Cal kit, fixed, 34L cyl 50 ppm Carbon Monoxide in N2, reg with gauge & knob, cal cup, screwdriver, case & tubing	275.00
81-F204RK-LV	Cal kit, fixed, 34L cyl 200 ppm Carbon Monoxide in Air, reg with gauge & knob, cal cup, screwdriver, case & tubing	295.00
81-F301RK	Cal kit, fixed, 103L cyl Zero Air, 103L cyl 100% N2, reg with gauge & knob, cal cup, case & tubing	535.00
81-F301RK-LV	Cal kit, fixed, 34L cyl Zero Air, 34L 100% N2, reg with gauge & knob, cal cup, case & tubing	350.00
81-F301RKS-LV	Cal Kit, fixed sample draw, 100% N2 34L, zero air 34L	215.00
81-F302RK	Cal Kit, fixed, O2, 103L, N2 cyl only	330.00
81-F302RK-LV	Cal kit, fixed, 34L cyl 100% N2, reg with gauge & knob, cal cup, case & tubing	295.00
81-F302RKS-LV	Cal Kit, fixed, O2, 34L, N2 cyl, disp valve, gas bag	160.00
81-F303RK-LV	Cal kit, fixed, 34L cyl 2.0% Oxygen in N2, 34L cyl 100% N2, reg with gauge & knob, cal cup, case & tubing	340.00
81-F401RK-LV	Cal kit, fixed, RI-215A, 34L cyl 2.5% Carbon Dioxide in N2, reg with gauge & knob, case & tubing	315.00
81-F402RK-LV	Cal kit, fixed, RI-215A, 34L cyl 5,000 ppm Carbon Dioxide in N2, reg with gauge & knob, case & tubing	315.00
81-F402RKS-LV	Cal kit, fixed, RI-215D, 34L cyl 5,000 ppm Carbon Dioxide in N2, disp valve, gas bag, screwdriver, case & tubing	215.00
81-F403RK	Cal Kit, fixed, for 3/4" NPT detector, 2.5% CO2, 103L	510.00
81-F403RK-LV	Cal kit, fixed, 34L cyl 2.5% Carbon Dioxide in N2, 34L cyl 100% N2, reg with gauge & knob, cal cup for IR 3/4" NPT sensor, screwdriver, case & tubing	325.00
81-F404RK	Cal kit, fixed, 103L cyl 2,000 ppm Carbon Dioxide in N2, 34L cyl 100% N2, reg with gauge & knob, cal cup for IR 3/4" NPT sensor, case & tubing	510.00
81-F404RK-LV	Cal kit, fixed, 34L cyl 2,000 ppm Carbon Dioxide in N2, 34L cyl 100% N2, reg with gauge & knob, cal cup for IR 3/4" NPT sensor, case & tubing	325.00
81-F404RKS-DLV	Cal kit, fixed, 34L cyl 2,000 ppm Carbon Dioxide in N2, 34L cyl 100% N2, demand flow reg, screwdriver, case & tubing	465.00
81-F406RK03-LV	Cal kit, fixed, 34L cyl 2.5% Carbon Dioxide in N2, 34L cyl 100% N2, reg with gauge & knob, cal cup for IR 3/4" NPT sensor, case & tubing	325.00
81-F407RK02-LV	Cal kit, fixed for Direct Connect, non XP, 34L 2000 ppm Carbon Dioxide in N2, 34L cyl 100% N2, reg with gauge & knob, screwdriver, case & tubing	350.00
81-F407RK03-LV	Cal kit, fixed for Direct Connect, non XP, 34L 2.5% Carbon Dioxide in N2, 34L cyl 100% N2, reg with gauge & knob, screwdriver, case & tubing	350.00
81-F407RK05-LV	Cal Kit, fixed, direct connect non xp, 50% CO2, 34L	295.00
81-F408RK-LV	Cal kit, fixed, 34L cyl 15% Carbon Dioxide in N2, 34L cyl 100% N2, reg with gauge & knob, cal cup for IR 3/4" NPT sensor, case & tubing	325.00
81-F501RK	Cal kit, fixed, 58AL cyl 10 ppm Ammonia in N2, reg with gauge & knob, cal cup for super toxic GD-K8A (rim feed), screwdriver, case & tubing	560.00
81-F501RK-LV	Cal kit, fixed, 34AL cyl 10 ppm Ammonia in N2, reg with gauge & knob, cal cup for super toxic GD-K8A (rim feed), screwdriver, case & tubing	455.00
81-F501RK-LV25	Cal Kit, fixed, GD-K8A, NH3, 25 ppm, 34L	455.00
81-F501RKS	Cal kit, fixed, GD-K7D2/GD-K77D/GD-K71D/GD-K70D, 58AL cyl 10 ppm Ammonia in N2, demand flow reg, screwdriver, case & tubing	695.00
81-F503RK	Cal kit, fixed, 58AL cyl 10 ppm Ammonia in N2, reg with gauge & knob, cal cup for ESM-01-NH3 sensor, screwdriver, case & tubing	590.00
81-F503RK-LV	Cal kit, fixed, 34AL cyl 10 ppm Ammonia in N2, reg with gauge & knob, cal cup for ESM-01-NH3 sensor, screwdriver, case & tubing	485.00
81-F601RK	Cal kit, fixed, 58AL cyl 2 ppm Chlorine in N2, reg with gauge & knob, cal cup for super toxic GD-K8A (rim feed), screwdriver, case & tubing	560.00
81-F601RK-LV	Cal kit, fixed, 34AL cyl 2 ppm Chlorine in N2, reg with gauge & knob, cal cup for super toxic GD-K8A (rim feed), screwdriver, case & tubing	465.00
81-F601RK-LVFFH	Cal kit, fixed, 34AL cyl 2 ppm Chlorine in N2, reg with gauge & knob, cal cup for super toxic GD-K8A (rim feed), screwdriver, case & tubing, (9 month warranty)	485.00
81-F601RKDS-LV5	Cal kit, fixed, 34AL cyl 5 ppm Chlorine in N2, demand flow reg, screwdriver, case & tubing	600.00
81-F601RKS	Cal kit, fixed, GD-K7D2/GD-K77D/GD-K71D/GD-K70D, 58AL cyl 2 ppm Chlorine in N2, demand flow reg, screwdriver, case & tubing	695.00
81-F601RKS-LV	Cal Kit, fixed, 2 ppm CL2, reg, 34AL	445.00

Numerical Index

Part#	Description	Suggested Retail
81-F603RK	Cal kit, fixed, 58AL cyl 2 ppm Chlorine in N2, reg with gauge & knob, cal cup for ESM-01-CI2 sensor, screwdriver, case & tubing	590.00
81-F603RK-LV	Cal kit, fixed, 34AL cyl 2 ppm Chlorine in N2, reg with gauge & knob, cal cup for ESM-01-CI2 sensor, screwdriver, case & tubing	495.00
81-F604RK-LV	Cal kit, fixed, 34AL cyl 2 ppm Chlorine in N2, 34L 100% N2, reg with gauge & knob, cal cup for super toxic GD-K8A (rim feed), screwdriver, gas bag, case & tubing (includes special dilution instructions for O3 calibration)	600.00
81-F701RK	Cal kit, fixed, 58AL cyl 5 ppm Sulfur Dioxide in N2, reg with gauge & knob, cal cup for super toxic GD-K8A (rim feed), screwdriver, case & tubing	385.00
81-F701RK-DLV	Cal kit, fixed, GD-K7D2/GD-K77D/GD-K71D/GD-K70D, 34AL cyl 5 ppm Sulfur Dioxide in N2, demand flow reg, screwdriver, case & tubing	490.00
81-F701RKS	Cal kit, fixed, GD-K7D2/GD-K77D/GD-K71D/GD-K70D, 58AL cyl 5 ppm Sulfur Dioxide in N2, demand flow reg, screwdriver, case & tubing	515.00
81-F702RK	Cal kit, fixed, 58AL cyl 5 ppm Sulfur Dioxide in N2, reg with gauge & knob, cal cup for ESM-01 toxic sensors (not for CI2 or NH3), screwdriver, case & tubing	415.00
81-F702RK-LV	Cal kit, fixed, 34AL cyl 5 ppm Sulfur Dioxide in N2, reg with gauge & knob, cal cup for ESM-01 toxic sensors (not for CI2 or NH3), screwdriver, case & tubing	395.00
81-F804RK	Cal kit, fixed, 58AL cyl 10 ppm Nitrogen Dioxide in Air, reg with gauge & knob, cal cup for super toxic GD-K8A (rim feed), screwdriver, case & tubing	560.00
81-F804RK-DLV	Cal Kit, fixed, NO2, SD, 34AL	585.00
81-F804RK-LV	Cal kit, fixed, 34AL cyl 10 ppm Nitrogen Dioxide in Air, reg with gauge & knob, cal cup for super toxic GD-K8A (rim feed), screwdriver, case & tubing	460.00
81-F804RKS-LV	Cal kit, fixed, 34AL cyl 2 ppm Nitrogen Dioxide in Air, high flow reg with gauge & knob, gas bag, screwdriver, case & tubing	440.00
81-F805RK-LV	Cal kit, fixed, 34AL cyl 0.5 ppm Phosphine in N2, reg with gauge & knob, cal cup, screwdriver, case & tubing	510.00
81-F806RK	Cal kit, fixed, 58AL cyl 10 ppm Hydrogen Cyanide in N2, reg with gauge & knob, cal cup for super toxic GD-K8A (rim feed), screwdriver, case & tubing	560.00
81-F806RKS	Cal kit, fixed, GD-K7D2/GD-K77D/GD-K71D/GD-K70D, 58AL cyl 10 ppm Hydrogen Cyanide in N2, demand flow reg, screwdriver, case & tubing	695.00
81-F806RKS-LV	Cal Kit, fixed, HCN, SD, 34AL	445.00
81-F807RK-LVB	Cal Kit, fixed, GD-K8A, HCl, w/sample bag and 6 LPM regulator, 34L	495.00
81-F807RKS	Cal kit, fixed, GD-K7D2/GD-K77D/GD-K71D/GD-K70D, 58AL cyl 5 ppm Hydrogen Chloride in N2, high flow reg with gauge & knob, gas bag, screwdriver, case & tubing	540.00
81-F807RKS-LV	Cal Kit, fixed, GD-K7D2-HCL, 34L	455.00
81-F808RKS-LV	Cal kit, fixed, GD-K7D2/GD-K77D/GD-K71D/GD-K70D, 34AL cyl 0.5 Phosphine in N2, 34L cyl 100% N2, two regs with gauge & knob, gas bag, screwdriver, case & tubing	670.00
81-F809RK	Cal kit, fixed, 58AL cyl 5 ppm Silane in N2, reg with gauge & knob, cal cup for super toxic GD-K8A (rim feed), screwdriver, case & tubing	585.00
81-F810RK-LV	Cal kit, fixed, 34AL cyl 25 ppm Nitric Oxide in N2, reg with gauge & knob, cal cup for super toxic GD-K8A (rim feed), screwdriver, case & tubing	460.00
81-F811RK	Cal kit, fixed, 58AL cyl 0.5 ppm Phosphine in N2, reg with gauge & knob, cal cup for ESM-01 toxic sensors (not for CI2 or NH3), screwdriver, case & tubing	620.00
81-F811RK-LV	Cal kit, fixed, 34AL cyl 0.5 ppm Phosphine in N2, reg with gauge & knob, cal cup for ESM-01 toxic sensors (not for CI2 or NH3), screwdriver, case & tubing	540.00
81-F813RK	Cal kit, fixed, 58AL cyl 10 ppm Hydrogen Cyanide in N2, reg with gauge & knob, cal cup for ESM-01 toxic sensors (not for CI2 or NH3), screwdriver, case & tubing	765.00
81-F813RK-LV	Cal kit, fixed, 34AL cyl 10 ppm Hydrogen Cyanide in N2, reg with gauge & knob, cal cup for ESM-01 toxic sensors (not for CI2 or NH3), screwdriver, case & tubing	495.00
81-F901RK-LV	Cal kit, fixed, 34L cyl 50% LEL Methane in Air, 34L cyl 100% N2, reg with gauge & knob, cal cup, case & tubing	305.00
81-F904RK-LV	Cal kit, fixed, 34L cyl 50% LEL Methane in Air, 34L cyl 50 ppm Carbon Monoxide in Air, reg with gauge & knob, cal cup, screwdriver, case & tubing	305.00
81-F907RK	Cal kit, fixed, 103L cyl 50% LEL Methane in Air, 58AL cyl 25 ppm Hydrogen Sulfide in N2, reg with gauge & knob, cal cup, screwdriver, case & tubing	555.00
81-F907RK-LV	Cal kit, fixed, 34L cyl 50% LEL Methane in Air, 34AL cyl 25 ppm Hydrogen Sulfide in N2, reg with gauge & knob (34L), reg with gauge & knob (34AL), cal cup, screwdriver, case & tubing	545.00
81-F907RKIR-LV	Cal kit, fixed, IR, LEL CH4/H2S, 34L	510.00
81-F907RKS-LV	Cal kit, fixed, 34L cyl 50% LEL Methane in Air, 34AL cyl 25 ppm Hydrogen Sulfide in N2, dispensing valve, high flow reg with gauge & knob, gas bag, screwdriver, case & tubing	410.00

Numerical Index

Part#	Description	Suggested Retail
81-F908RKS	Cal Kit, fixed, LEL SO2/CO, 58/103L, dem reg	670.00
81-F920RK	Cal kit, fixed, 103L cyl 50 ppm Carbon Monoxide / 50% LEL Methane / 12% Oxygen in N2, 58AL cyl 25 ppm Hydrogen Sulfide in N2, reg with gauge & knob, cal cup, screwdriver, case & tubing	510.00
81-F920RK-LV	Cal kit, fixed, 34L cyl 50 ppm Carbon Monoxide / 50% LEL Methane / 12% Oxygen in N2, 34AL cyl 25 ppm Hydrogen Sulfide in N2, reg with gauge & knob (34L cyl), reg with gauge & knob (34AL cyl), cal cup, screwdriver, case & tubing	600.00
81-F924RK-LV	Cal kit, fixed, 34L cyl 50% LEL Hydrogen in Air, 34L cyl 100% N2, reg with gauge & knob, cal cup, screwdriver, case & tubing	350.00
81-F930RKIR-LV	Cal kit, fixed, IR, LEL CH4/H2S/CO, 34L	350.00
81-F931RK-LV	Cal kit, fixed, 34L cyl 50% LEL Isobutane in N2, 34L cyl 50 ppm Carbon Monoxide/50% LEL Methane/12% Oxygen in N2, reg with gauge & knob, cal cup, screwdriver, case & tubing	350.00
81-F931RKIR-LV	Cal kit, fixed, 34L cyl 50% LEL Isobutane / 50 ppm Carbon Monoxide / 25 ppm Hydrogen Sulfide/12% Oxygen in N2, reg with gauge & knob, IR cal cup, standard cal cup, screwdriver, case & tubing	425.00
81-F932RK-LV	Cal kit, fixed, 34L cyl 50% LEL Propane in Air, 34L cyl 50 ppm Carbon Monoxide in Air, reg with gauge & knob, cal cup, screwdriver, case & tubing	350.00
81-F933RK-LV	Cal kit, fixed, 34L cyl 50% LEL Propane in Air, 34L cyl 100 ppm Carbon Monoxide in Air, reg with gauge & knob, cal cup, screwdriver, case & tubing	350.00
81-F936RK-LV	Cal Kit, Diffusion, LEL/O2/H2S/CO, 34AL	375.00
81-F943RK-LV	Cal Kit, fixed, LEL/CO/OXY, w/100% N2, 34L	350.00
81-F944RK-LV	Cal kit, fixed, 34L cyl 2.5% Carbon Dioxide in N2, 34L cyl Compressed Air, 34L cyl 100% N2, reg with gauge & knob, cal cup for IR 3/4" NPT sensor, cal cup standard, case & tubing	365.00
81-F946RK-LV	Cal Kit, fixed, CO/NO, 34L	630.00
81-F948RK-LV	Cal Kit, fixed, HEX/CO/O2, 34L	295.00
81-F949RK-LV	Cal Kit, fixed, Cl2/N2 34AL, CO2/N2 103L, N2 103L, 2 cal cups	890.00
81-F950RK-ASM	Cal Kit, fixed, H2/Air 34L, HCl/N2, 58L, no case	945.00
81-F950RK-ASMG	Cal kit, ASM, gas only, H2/Air, HCl/N2	460.00
81-F953RK-LV	Cal Kit, fixed, CH4/CO/O2, 103L, H2S/N2 34AL, reg, cal cup	545.00
81-F956RKS-LV	Cal Kit, fixed, CH4 vol, 34L, H2S/N2, 34AL, sample bag, reg	410.00
81-F970RK-LV	Cal Kit, fixed, HEX/CO, 34L	350.00
81-F971RK	Cal Kit, fixed, LEL propane, 103L, zero air, 103L, LEL/CO/O2, 103L	790.00
81-FP31	Calibration and zero tabs for FP-31	625.00
81-GP01	Cal kit, GP-01, 103L cyl 50% LEL CH4/Air, reg with gauge & knob, cal cup, case & tubing	370.00
81-GP01-H2LV	Cal kit, GP-01, 34L cyl 50% LEL H2/Air, reg with gauge & knob, cal cup, case & tubing	290.00
81-GP01-HLV	Cal kit, GP-01, 34L cyl 15% LEL Hexane/Air, reg with gauge & knob, cal cup, case & tubing	290.00
81-GP01-LV	Cal kit, GP-01, 34L cyl 50% LEL CH4/Air, reg with gauge & knob, cal cup, case & tubing	290.00
81-GP03	Cal kit, GP-03, 103L cyl 50% LEL CH4/Air, regulator, cal cup, case & tubing	370.00
81-GP03-HLV	Cal kit, GP-03, 34L cyl 50% LEL Hexane/Air, regulator, cal cup, case & tubing	285.00
81-GP03-LV	Cal kit, GP-03, 34L cyl 50% LEL CH4/Air, regulator, cal cup, case & tubing	285.00
81-GP03H2-LV	Cal kit, GP-03, 34L cyl 50% LEL Hydrogen/Air, regulator, cal cup, case & tubing	285.00
81-GP03IB-LV	Cal kit, GP-03, 34L cyl 50% LEL Isobutane/Air, regulator, cal cup, case & tubing	285.00
81-GP1000-DLV	Cal kit, GP-1000, 34AL 50% CH4 in air, dem flow reg, case & tubing	410.00
81-GP1000IBDLV	Cal kit, GP-1000, 34AL 50% isobutane in air, dem flow reg, case & tubing	410.00
81-GP204	Cal kit, GP-204, 34L cyl CH4/Air, reg with gauge & knob, screwdriver, case & tubing	260.00
81-GP204-ISO	Cal kit, GP-204, 34L cyl 50% LEL isobutane/Air, reg with gauge & knob, screwdriver, case & tubing	260.00
81-GP204PRO-LV	Cal Kit, GP-204, PROPANE, 50% LEL, 34L	260.00
81-GP226	Cal kit, GP-226, 34L cyl 20% LEL isobutane/Air, disp valve, gas bag, screwdriver, case & tubing	190.00
81-GT51-DLV	Cal kit, Gas Tracer, 34L cyl 500 ppm CH4/Air, humidifier tube, dem flow reg, case & tubing	510.00
81-GT64-DLV	Cal kit, Gas Tracer, 34L cyl 500 ppm CH4/Air, 34L CO/CH4/O2, humidifier tube, dem flow reg, case & tubing	565.00
81-GT69	Cal kit, Gas Tracer, 103L cyl 500 ppm CH4/Air, 58L steel 100% vol CH4, 103L CO/CH4/O2, humidifier tube, dem flow reg, case & tubing	1,085.00
81-GW2C-LV	Cal kit, GW2, 34L cyl CO / N2, reg with gauge & knob, cal cup, case & tubing	290.00
81-GW2H	Cal Kit, GasWatch 2, H2S, 58AL	360.00
81-GW2H-LV	Cal kit, GW2, 34AL cyl H2S/N2, reg with gauge & knob, cal cup, case & tubing	360.00
81-GW2X-LV	Cal kit, GW2, 34L cyl 100% N2, reg with gauge & knob, cal cup, case & tubing	290.00
81-GX01CO	Cal kit, GX-2001/GX-2009, 103L cyl Methane/CO/O2, reg with gauge & knob, cal cap, case & tubing	395.00
81-GX01CO-LV	Cal kit, GX-2001/GX-2009, 34L cyl Methane/CO/O2, reg with gauge & knob, cal cap, case & tubing	270.00
81-GX01HCOIB-LV	Cal kit, GX-2001/GX-2009, 34AL cyl Isobutane/H2S/CO/O2, reg with gauge & knob, cal cap, case & tubing	385.00
81-GX01HSCO	Cal kit, GX-2001/GX-2009, 58AL cyl Methane/H2S/CO/O2, reg with gauge & knob, cal cap, case & tubing	440.00
81-GX01HSCO-LV	Cal kit, GX-2001/GX-2009, 34AL cyl Methane/H2S/CO/O2, reg with gauge & knob, cal cap, case & tubing	380.00

Numerical Index

Part#	Description	Suggested Retail
81-GX01HSO2-LV	Cal kit, GX-2001/GX-2009, 34AL cyl H2S/N2, reg with gauge & knob, cal cap, case & tubing	285.00
81-GX01HXCO-LV	Cal kit, GX-2001/GX-2009, 34L cyl Hexane/O2/H2S/CO/N2, reg with gauge & knob, cal cap, case & tubing	490.00
81-GX01IB-LV	Cal kit, GX-2001/GX-2009, 34L cyl Isobutane/air, 34L cyl 100% N2, reg with gauge & knob, cal cap, case & tubing	325.00
81-GX03CO	Cal kit, GX-2003/GX-2012, 103L cyl CO/CH4/O2 in N2, dem flow reg, case & tubing	535.00
81-GX03CO-DLV	Cal kit, GX-2003/GX-2012, 34L cyl CO/CH4/O2, dem flow reg, case & tubing	410.00
81-GX03CO-LV	Cal kit, GX-2003/GX-2012, 34L cyl CO/CH4/O2 in N2, dispensing valve, gas bag, case & tubing	185.00
81-GX03HSCO	Cal kit, GX-2003/GX-2012, 58AL cyl H2S (25 ppm)/CO/CH4/O2, dem flow reg, case & tubing	580.00
81-GX03HSCO-DLV	Cal kit, GX-2003/GX-2012, 34AL cyl H2S (25 ppm)/CO/CH4/O2, dem flow reg, case & tubing	520.00
81-GX03HSCO-LV	Cal kit, GX-2003/GX-2012, 34AL cyl H2S (25 ppm)/CO/CH4/O2, reg with gauge & knob, gas bag, case & tubing	395.00
81-GX03NG-02	Cal kit,Gx-2003,no gas for 58AL/103L cylinder sizes	340.00
81-GX03PRO-DLV	Cal kit,GX-2003,LEL Propane in air 34L,demand flow regulator	410.00
81-GX03VCO	Cal kit,Gx-2003,103 liter 3-gas/58 liter 100% volume CH4	605.00
81-GX03VCO-DLV	Cal kit, GX-2003/GX-2012, 34L cyl CO/CH4/O2, 58L 100% vol CH4, dem flow reg, case & tubing	605.00
81-GX03VHSCO	Cal kit, GX-2003/GX-2012, 58AL cyl H2S (25 ppm)/CO/CH4/O2, 58L 100% vol. CH4, dem flow reg, case & tubing	720.00
81-GX03VHSCO-DLV	Cal kit,Gx-2003,34 liter 4-gas/34 liter 100% volume CH4	535.00
81-GX03VHSCO-LV	Cal kit, GX-2003/GX-2012, 34AL cyl H2S (25 ppm)/CO/CH4/O2, 58L cyl 100% vol. CH4, reg with gauge & knob, disp valve, gas bag, case & tubing	535.00
81-GX03VHSCODLV	Cal kit, GX-2003/GX-2012, 34AL cyl H2S (25 ppm)/CO/CH4/O2, 58L cyl 100% vol. CH4, dem flow reg, case & tubing	660.00
81-GX12VCO-DLV	Cal kit, GX-2012, 34L cyl CO/CH4/O2, 34L 50% vol CH4, dem flow reg, case & tubing	465.00
81-GX4000RK	Cal kit, GX-4000, 103L cyl CO/CH4/O2, 58AL cyl H2S/N2, dem flow reg, screwdriver, case & tubing	710.00
81-GX4000RK-LV	Cal kit, GX-4000, 34L cyl CO/CH4/O2, 34AL cyl H2S/N2, reg with gauge & knob, disp valve, gas bag, screwdriver, case & tubing	440.00
81-GX4000RKB	Cal kit, GX-4000/GX-111, 103L cyl CO/CH4/O2, 58AL cyl H2S/N2, reg with gauge & knob, screwdriver, case & tubing	585.00
81-GX8000IB	Cal kit,GX-8000,H2S/CO/LEL isobutane/Oxy,dem flow reg,103 liter	585.00
81-GX8000IB-LV	Cal kit,GX-8000,H2S/CO/LEL isobutane/Oxy,w/gas bag,34 liter	395.00
81-GX85N	Cal kit, GX-85N, 34L cyl CH4/Air, 34L cyl 100% N2, disp valve, gas bag, screwdriver, case & tubing	245.00
81-GX86AHSCO	Cal kit, GX-86A, 58AL cyl H2S (25 ppm)/CO/CH4/O2, reg with gauge & knob, cal cup, case & tubing	470.00
81-GX86AHSCO-LV	Cal kit, GX-86A, 34AL cyl H2S (25 ppm)/CO/CH4/O2, reg with gauge & knob, cal cup, case & tubing	415.00
81-HS01-LV	Cal kit, HS-01, 34AL cyl 25 ppm H2S/N2, reg with gauge & knob, cal cup, case & tubing	360.00
81-HS03	Cal kit, HS-03, 58AL cyl 25 ppm H2S/N2, regulator, cal cup, case & tubing	390.00
81-HS03-LV	Cal kit, HS-03, 34AL cyl 25 ppm H2S/N2, regulator, cal cup, case & tubing	355.00
81-HS03NG-LV	Cal kit, HS-03, no gas, fits two 34AL cylinders, regulator, cal cup, case & tubing	230.00
81-NC1000-DLV	Cal kit, NC-1000, 34AL isobutane 500 ppm in air, dem flow reg, case & tubing	410.00
81-NP204	Cal kit, NP-204, 34L cyl 50% LEL CH4/Air, 34L cyl 50% vol CH4/N2, reg with gauge & knob, screwdriver, case & tubing	315.00
81-NP237H	Cal kit, NP-237H, 34L cyl 50% LEL isobutane/Air, 34L cyl 10% isobutane/N2, disp valve, gas bag, screwdriver, case & tubing	245.00
81-NP85	Cal kit, NP-85, 34L cyl 50% LEL CH4/Air, 34L cyl 50% vol CH4/N2, disp valve, gas bag, screwdriver, case & tubing	245.00
81-OX01-LV	Cal kit, OX-01, 34L cyl 100% N2, reg with gauge & knob, cal cup, case & tubing	290.00
81-OX03	Cal kit, OX-03, 103L cyl 100% N2, regulator, cal cup, case & tubing	370.00
81-OX03-LV	Cal kit, OX-03, 34L cyl 100% N2, regulator, cal cup, case & tubing	285.00
81-OX07-LV	Cal kit, OX-07, 34L cyl 100% N2, reg with gauge & knob, cal cup, case & tubing	335.00
81-OX07NG-LV	Cal kit, OX-01, with no gas, reg with gauge & knob, cal cup, case & tubing	280.00
81-OX1	Cal kit, OX-1, 34L cyl 100% N2, reg with gauge & knob, screwdriver, case & tubing	260.00
81-OX226	Cal kit, OX-226, 34L cyl 100% N2, reg with gauge & knob, screwdriver, case & tubing	190.00
81-OX500-LV	Cal Kit, fixed for OX-500, 100% N2, reg with gauge & knob, cal cup, case & tubing	260.00
81-OX600-LV	Cal Kit, fixed for OX-600, 100% N2, reg with gauge & knob, cal cup, case & tubing	300.00
81-OX62B	Cal kit, OX-62B, 34L cyl 100% N2, reg with gauge & knob, cal cup, screwdriver, case & tubing	310.00
81-PS225H2-LV	Cal kit, 34L cyl 10% LEL (4,000 ppm) Hydrogen in Air, 34L cyl 25% LEL Hydrogen in Air, reg with gauge & knob, cal cup for PS 2, screwdriver, case & tubing	315.00
81-PS2CH4	Cal kit, 34L cyl 10% LEL Methane in Air, 34L cyl 25% LEL Methane in Air, reg with gauge & knob, cal cup for PS 2, screwdriver, case & tubing	315.00
81-PS2ETH-LV	Cal Kit,PS2 Ethanol,2000/4000 ppm Hydrogen,34L	320.00
81-PS2H2	Cal kit, 103L cyl 10% LEL (4,000 ppm) Hydrogen in Air, 103L cyl 30% LEL Hydrogen in Air, reg with gauge & knob, cal cup for PS 2, screwdriver, case & tubing	500.00

Numerical Index

<u>Part#</u>	<u>Description</u>	<u>Suggested Retail</u>
	reg with gauge & knob, cal cup for PS 2, screwdriver, case & tubing	315.00
81-PS2H2530-LV	Cal Kit,PS2,5%/30% LEL Hydrogen,34L	320.00
81-PS2PR	Cal kit, 103L cyl 10% LEL Propane in air, 103L cyl 30% LEL Propane in air, reg with gauge & knob, cal cup for PS-2, screwdriver, case & tubing	500.00
81-PS2PR-LV	Cal Kit,PS2,10%/25% LEL Propane,34L	325.00
81-RI413R12	Cal kit, RI-413, 17L cyl 2,000 ppm R-12/Air, disp valve, gas bag, screwdriver, case & tubing	210.00
81-RI413R134	Cal kit, RI-413, 34L cyl 2,000 ppm R-134A/Air, disp valve, gas bag, screwdriver, case & tubing	240.00
81-RI415CH4	Cal kit, RI-415/RX-8000, 34L cyl 50% LEL CH4/Air, 34L cyl 50% vol CH4/Air, disp valve, gas bag, two gas bags, case & tubing	305.00
81-RI415CH4-03	Cal Kit,RI-415,CH4,dem flow reg, 103L	645.00
81-RI415HC	Cal kit, RI-415/RX-8000, 34L cyl 50% LEL isobutane/Air, 17L cyl 10% vol isobutane/N2, disp valve, two gas bags, case & tubing	310.00
81-RI85	Cal kit, RI-85, 34L cyl 5, 000 ppm CO2/N2, 34L cyl 100% N2, disp valve, gas bag, case & tubing	240.00
81-RI85-05	Cal kit, RI-85, 34L cyl 2.5% CO2/N2, 34L cyl 100% N2, disp valve, gas bag, case & tubing	240.00
81-RI85NG-LV	Cal kit, RI-85, no gas, fits two 34AL cylinders, dispensing valve, gas bag, case & tubing	130.00
81-RX415CH4	Cal kit, RX-415/RX-8000, 34L cyl 50% LEL CH4/Air, 34L cyl 50% vol CH4/Air, 34L cyl 100% N2, disp valve, 3 gas bags, case & tubing	385.00
81-RX415CH4-03	Cal kit,RX-415,CH4,dem flow reg, 103 liter	955.00
81-RX415HC	Cal kit, RX-415/RX-8000, 34L cyl 50% LEL isobutane/Air, 17L cyl 10% vol isobutane/Air, 34L cyl 100% N2, disp valve, three gas bags, case & tubing	390.00
81-RX415HCD	Cal kit, RX-415/RX-8000, 34L cyl 50% LEL isobutane/Air, 34L cyl 10% vol isobutane/Air, 34L cyl 100% N2, dem flow reg, case & tubing	525.00
81-RX415HCNG	Cal kit, RX-415, disp valve, 3 gas bags, screwdriver, case & tubing (gas not included)	225.00
81-RX515	Cal kit, RX-515, 34AL cyl 50% vol CH4 in N2, 103L cyl 15% CO2 in N2, 103L cyl CO/CH4/O2, dem flow reg, case & tubing	900.00
81-RX515-LV	Cal kit, RX-515, 34L cyl 10% vol CH4 in N2, 34L cyl 50% LEL CH4 in Air, 34L cyl 100 ppm CO in N2, 34L cyl 15% CO2 in N2, dispensing valve, three gas bags, case & tubing	585.00
81-RX516-LV	Cal kit, RX-516, 17L cyl 10% vol isobutane in N2, 34AL cyl 50 ppm H2S/50% LEL isobutane in N2, reg with gauge & knob, disp valve, two gas bags, case & tubing.....	555.00
81-RX517-DLV	Cal kit, RX-517, 34L cyl 50 ppm H2S/50% LEL isobutane in N2, 17L cyl 10% vol isobutane/N2, two demand flow regs, two gas bags, case & tubing	870.00
81-RX517-LV	Cal kit, RX-517, 34L cyl 50 ppm H2S/50% LEL isobutane in N2, 17L cyl 10% vol isobutane/N2, disp valve, two gas bags, case & tubing	555.00
81-RX517RK	Cal kit, RX-517, 34L cyl 50 ppm H2S/50% LEL isobutane in N2, 17L cyl 10% vol isobutane/N2, reg with gauge & knob,disp valve, two gas bags, case & tubing	935.00
81-RX517RKNG	Cal kit, RX-517, two dem flow regs, screwdriver, case for 58AL / 103L cylinders & tubing (No Gas)	620.00
81-SC01ASH3	Cal kit, SC-01, 58AL cyl 0.5 ppm PH3/N2, reg with gauge & knob, cal cup, case & tubing	650.00
81-SC01ASH3-LV	Cal kit, SC-01, 34AL cyl 0.5 ppm PH3/N2, reg with gauge & knob, cal cup, case & tubing	570.00
81-SC01CL2	Cal kit, SC-01, 58AL cyl 2 ppm Cl2/N2, reg with gauge & knob, cal cup, case & tubing	620.00
81-SC01CL2-LV	Cal kit, SC-01, 34AL cyl 2 ppm Cl2/N2, reg with gauge & knob, cal cup, case & tubing	525.00
81-SC01CO	Cal kit, SC-01, 103L cyl 50 ppm CO/N2, reg with gauge & knob, cal cup, case & tubing	415.00
81-SC01CO-LV	Cal kit, SC-01, 34L cyl 50 ppm CO/N2, reg with gauge & knob, cal cup, case & tubing	320.00
81-SC01H2S	Cal kit, SC-01, 58AL cyl 25 ppm H2S/N2, reg with gauge & knob, cal cup, case & tubing	440.00
81-SC01H2S-LV	Cal kit, SC-01, 34AL cyl 25 ppm H2S/N2, reg with gauge & knob, cal cup, case & tubing	405.00
81-SC01HCN	Cal kit, SC-01, 58AL cyl 10 ppm HCN/N2, reg with gauge & knob, cal cup, case & tubing	620.00
81-SC01HCN-LV	Cal kit, SC-01, 34AL cyl 10 ppm HCN/N2, reg with gauge & knob, cal cup, case & tubing	525.00
81-SC01NH3	Cal kit, SC-01, 58AL cyl 10 ppm NH3/N2, reg with gauge & knob, cal cup, case & tubing	620.00
81-SC01NH3-LV	Cal kit, SC-01, 34AL cyl 10 ppm NH3/N2, reg with gauge & knob, cal cup, case & tubing	515.00
81-SC01PH3-LV	Cal kit, SC-01, 34AL cyl 0.5 ppm PH3/N2, reg with gauge & knob, cal cup, case & tubing	570.00
81-SC01SO2	Cal kit, SC-01, 58AL cyl 5 ppm SO2/N2, reg with gauge & knob, cal cup, case & tubing.....	445.00
81-SC01SO2-LV	Cal kit, SC-01, 34AL cyl 5 ppm SO2/N2, reg with gauge & knob, cal cup, case & tubing.....	415.00
81-SD-1GP-CH4LV	Cal Kit,SD-1GP, 50% LEL CH4/Air 34L, reg, cal cup, case & tubing	375.00
81-SDM03	Single point calibration station for O3 Series, model SDM-03 with AC Adaptor	1,270.00
81-SDM03-01	Single point calibration station for O3 Series, model SDM-03 with AC Adaptor, flash drive, USB cable, tubing & installation CD	1,280.00
81-SDM03-02	Single point calibration station for O3 Series, model SDM-03 with AC Adaptor, flash drive, USB cable, tubing, installation CD, & demand flow regulator	1,560.00
81-SDM03-03-CO	Single point calibration station for O3 Series, model SDM-03 with AC Adaptor, flash drive, USB cable, tubing, installation CD, demand flow regulator & 103L cyl 50 ppm CO/N2	1,715.00

Numerical Index

Part#	Description	Suggested Retail
81-SDM03-03-GP	Single point calibration station for O3 Series, model SDM-03 with AC Adaptor, flash drive, USB cable, tubing, installation CD, demand flow regulator & 103L cyl 50% LEL CH4/Air	1,715.00
81-SDM03-03-HS	Single point calibration station for O3 Series, model SDM-03 with AC Adaptor, flash drive, USB cable, tubing, installation CD, demand flow regulator & 58AL cyl 25 ppm H2S/N2	1,735.00
81-SDM03-03-OX	Single point calibration station for O3 Series, model SDM-03 with AC Adaptor, flash drive, USB cable, tubing, installation CD, demand flow regulator & 103L cyl 100% N2	1,715.00
81-SDM03-06-CO	Single point calibration station for O3 Series, model SDM-03 with AC Adaptor, flash drive, USB cable, tubing, installation CD, demand flow regulator & 34L cyl 50 ppm CO/N2	1,615.00
81-SDM03-06-GP	Single point calibration station for O3 Series, model SDM-03 with AC Adaptor, flash drive, USB cable, tubing, installation CD, demand flow regulator & 34L cyl 50% LEL CH4/Air	1,615.00
81-SDM03-06-HS	Single point calibration station for O3 Series, model SDM-03 with AC Adaptor, flash drive, USB cable, tubing, installation CD, demand flow regulator & 34AL cyl 25 ppm H2S/N2	1,685.00
81-SDM03-06-OX	Single point calibration station for O3 Series, model SDM-03 with AC Adaptor, flash drive, USB cable, tubing, installation CD, demand flow regulator & 34L cyl 100% N2	1,615.00
81-SDM03-11	Single point calibration station for O3 Series, model SDM-03 without AC Adaptor, flash drive, USB cable, tubing & installation CD	1,260.00
81-SDM03-12	Single point calibration station for O3 Series, model SDM-03 without AC Adaptor, flash drive, USB cable, tubing, installation CD, & demand flow regulator	1,540.00
81-SDM03-13-CO	Single point calibration station for O3 Series, model SDM-03 without AC Adaptor, flash drive, USB cable, tubing, installation CD, demand flow regulator & 103L cyl 50 ppm CO/N2	1,695.00
81-SDM03-13-GP	Single point calibration station for O3 Series, model SDM-03 without AC Adaptor, flash drive, USB cable, tubing, installation CD, demand flow regulator & 103L cyl 50% LEL CH4/Air	1,695.00
81-SDM03-13-HS	Single point calibration station for O3 Series, model SDM-03 without AC Adaptor, flash drive, USB cable, tubing, installation CD, demand flow regulator & 58AL cyl 25 ppm H2S/N2	1,715.00
81-SDM03-13-OX	Single point calibration station for O3 Series, model SDM-03 without AC Adaptor, flash drive, USB cable, tubing, installation CD, demand flow regulator & 103L cyl 100% N2	1,695.00
81-SDM03-16-CO	Single point calibration station for O3 Series, model SDM-03 without AC Adaptor, flash drive, USB cable, tubing, installation CD, demand flow regulator & 34AL cyl 50 ppm CO/N2	1,595.00
81-SDM03-16-GP	Single point calibration station for O3 Series, model SDM-03 without AC Adaptor, flash drive, USB cable, tubing, installation CD, demand flow regulator & 34AL cyl 50% LEL CH4/Air	1,595.00
81-SDM03-16-HS	Single point calibration station for O3 Series, model SDM-03 without AC Adaptor, flash drive, USB cable, tubing, installation CD, demand flow regulator & 34AL cyl 25 ppm H2S/N2	1,665.00
81-SDM03-16-OX	Single point calibration station for O3 Series, model SDM-03 without AC Adaptor, flash drive, USB cable, tubing, installation CD, demand flow regulator & 34AL cyl 100% N2	1,595.00
81-SDM2009	SDM-2009 calibration station w/AC adaptor	1,290.00
81-SDM2009-01	Single point calibration station for GX-2009, model SDM-2009 with AC Adaptor, flash drive, USB cable, tubing & installation CD	1,300.00
81-SDM2009-02	Single point calibration station for GX-2009, model SDM-2009 with AC Adaptor, flash drive, USB cable, tubing, installation CD, & demand flow regulator	1,580.00
81-SDM2009-03	Single point calibration station for GX-2009, model SDM-2009 with AC Adaptor, flash drive, USB cable, tubing, installation CD, demand flow regulator & 58AL cyl H2S (25 ppm)/CO/CH4/O2	1,820.00
81-SDM2009-06	Single point calibration station for GX-2009, model SDM-2009 with AC Adaptor, flash drive, USB cable, tubing, installation CD, demand flow regulator & 34AL cyl H2S (25 ppm)/CO/CH4/O2	1,745.00
81-SDM2009-11	SDM-2009 calibration station,Flash Drive,USB Cable,Tubing,CD, w/o AC Adapter	1,280.00
81-SDM2009-12	SDM-2009 calibration station,Flash Drive,USB cable,tubing,CD,DFR,w/o AC Adapter	1,560.00
81-SDM2009-13	SDM-2009 cal station,flash dr,USB cable,tubing,CD,58 liter 4-gas cylinder,DFR,w/o AC Adaptr.....	1,800.00
81-SDM2009-16	SDM-2009 cal station,flash dr,USB cable,tubing,CD,34 liter 4-gas cylinder,DFR,w/o AC Adaptr.....	1,725.00
81-SDM2012	SDM-2012 calibration station w/AC adapter	1,175.00
81-SDM2012-01	Single point calibration station for GX-2012 and Gas Tracer, model SDM-2012 with AC Adaptor, flash drive, USB cable, tubing & installation CD	1,300.00
81-SDM2012-02	Single point calibration station for GX-2012 and Gas Tracer, model SDM-2012 with AC Adaptor, flash drive, USB cable, tubing, installation CD & demand flow regulator	1,580.00
81-SDM2012-03	Single point calibration station for GX-2012, model SDM-2012 with AC Adaptor, flash drive, USB cable, tubing, installation CD, demand flow regulator & 58AL cyl H2S (25 ppm)/CO/CH4/O2	1,820.00
81-SDM2012-04	Single point calibration station for GX-2012, model SDM-2012 with AC Adaptor, flash drive, USB cable, tubing, installation CD, demand flow regulator, 58AL cyl H2S (25 ppm)/CO/CH4/O2 & 58L steel cyl Methane 100% volume	1,960.00

Numerical Index

<u>Part#</u>	<u>Description</u>	<u>Suggested Retail</u>
	tubing, installation CD, two demand flow regulators, 58AL cyl H2S (25 ppm)/CO/CH4/O2 & 58L steel cyl Methane 100% volume	2,240.00
81-SDM2012-07	Single point calibration station for Gas Tracer, model SDM-2012 with AC Adaptor, flash drive, USB cable, tubing, installation CD, humidifier tube, two demand flow regulators, 103L cyl CO/CH4/O2, & 103L cyl 1,000 ppm CH4/Air	2,125.00
81-SDM2012-11	SDM-2012 calibration station,flash drive,USB cable,tubing,CD, w/o AC Adapter	1,180.00
81-SDM2012-12	SDM-2012 cal station,flash drive,USB cable,tubing,CD,DFR, w/o AC Adapter	1,460.00
81-SDM2012-13	SDM-2012 cal station,flash dr,USB cable,tubing,CD,58 liter 4-gas cyl,DFR,w/oAC Adapter	1,700.00
81-SDM2012-14	SDM-2012 cal station,flash dr,USB cable,tubing,CD,58L 4-gas cyl,58L vol CH4,DFR,w/o AC Aprt	1,840.00
81-SDM2012-15	SDM-2012 cal station,flash dr,USB cable,tubing,CD,58L 4-gas cyl & vol CH4,2 DFRs,w/o AC Adp	2,120.00
81-SDM2012-17	SDM-2012 cal station,flash dr,USB cable,tubing,CD,103L3-gas cyl & ppm CH4,2 DFRs,w/o AC Adp	2,245.00
81-SDM6000	SDM-6000 calibration station for GX-6000 with particle filter, connection brackets, (no AC adapter) ...	2,095.00
81-SDM6000-01	SDM-6000 calibration station for GX-6000, includes particle filter, connection brackets, SD card, USB SD card reader, ethernet cable, USB cable for PC, exhaust tubing, and single unit AC adapter	2,190.00
81-SDM6000-02	SDM-6000 calibration station for GX-6000, includes particle filter, connection brackets, exhaust tubing, USB cable for PC, SD card, USB SD card reader, ethernet cable, and multi-unit AC adapter	2,445.00
81-SDM6000-03	SDM-6000 calibration station for GX-6000, includes particle filter, connection brackets, exhaust tubing, USB cable for PC, SD card, USB SD card reader, ethernet cable, single unit AC adapter, demand flow regulator, and cal gas tubing	2,470.00
81-SDM6000-04	SDM-6000 calibration station for GX-6000, includes particle filter, connection brackets, exhaust tubing, USB cable for PC, SD card, USB SD card reader, ethernet cable, single unit AC adapter, demand flow regulator, cal gas tubing, 58AL cyl H2S/CO/CH4/O2, and cylinder holder	2,730.00
81-SDM6000-05	SDM-6000 calibration station for GX-6000, includes particle filter, connection brackets, exhaust tubing, USB cable for PC, SD card, USB SD card reader, ethernet cable, single unit AC adapter, demand flow regulator, cal gas tubing, 58AL cyl isobutylene/H2S/CO/CH4/O2, and cylinder holder	2,790.00
81-SDM6000-06	Calibration station for SDM-6000, includes particle filter, connection brackets, exhaust tubing, USB cable for PC, SD card, USB SD card reader, ethernet cable, single unit AC adapter, demand flow regulator, cal gas tubing, 34AL cyl isobutylene/air, and cylinder holder	2,600.00
81-SDM6000-07	SDM-6000 calibration station for GX-6000, includes particle filter, connection brackets, exhaust tubing, USB cable for PC, SD card, USB SD card reader, ethernet cable, single unit AC adapter, demand flow regulator, cal gas tubing, 34AL cyl H2S/CO/CH4/O2, and cylinder holder	2,655.00
81-SDM6000-08	SDM-6000 calibration station for GX-6000, includes particle filter, connection brackets, exhaust tubing, USB cable for PC, SD card, USB SD card reader, ethernet cable, single unit AC adapter, 2 demand flow regulators, cal gas tubing, 34AL cyl H2S/CO/CH4/O2, 34AL HCN/N2, and 2 cylinder holders	3,185.00
81-SDME2-01	Calibration station for EAGLE 2, model SDM-E2 with AC adaptor, flash drive, USB cable, tubing & installation CD	1,800.00
81-SDME2-02	Calibration station for EAGLE 2, model SDM-E2 with AC adaptor, flash drive, USB cable, tubing, installation CD, & demand flow regulator	2,080.00
81-SDME2-03	Calibration station for EAGLE 2, model SDM-E2 with AC adaptor, flash drive, USB cable, tubing, installation CD, demand flow regulator & 58AL cyl 25 ppm H2S/50 ppm CO/50% LEL CH4/12% O2 in N2	2,320.00
81-SDME2-08-P1	Calibration station for EAGLE 2, model SDM-E2 with AC adaptor, flash drive, USB cable, tubing, installation CD, two demand flow regulators, 58AL cyl 25 ppm H2S/50 ppm CO/50% LEL CH4/12% O2 in N2, & 103L cyl 10 ppm isobutylene in Air	2,755.00
81-SDME2-08-P2	Calibration station for EAGLE 2, model SDM-E2 with AC adaptor, flash drive, USB cable, tubing, installation CD, two demand flow regulators, 58AL cyl 25 ppm H2S/50 ppm CO/50% LEL CH4/12% O2 in N2, & 103L cyl 100 ppm isobutylene in Air	2,755.00
81-SM2003U	Single point calibration station for GX-2003, model SM-2003U	1,200.00
81-SP22005-LV	Cal kit, SP-220, 34AL PH3 0.5 ppm, dem flow reg, case & tubing	645.00
81-SV3	SV-3 solenoid valve unit, with connection brackets, for 6 cylinder expansion to the SDM-6000	1,080.00
81-XP204	Cal kit, XP-204 34L cyl 100% N2, reg with gauge & knob, screwdriver, case & tubing	260.00
811-021-DLV	Cal kit, EAGLE 2, 17L cyl 10% vol isobutane/N2, dem flow reg, case & tubing	415.00
811-101-20DLV	Cal kit, EAGLE 2, 34L cyl 100% hydrogen, dem flow reg, case & tubing	415.00
811-101-P1	Cal kit, EAGLE 2, 103L cyl 10 ppm isobutylene in air, dem flow reg, case & tubing	495.00
811-101-P1-DLV	Cal kit, EAGLE 2, 34L cyl 10 ppm isobutylene in air, dem flow reg, case & tubing	490.00
811-101-P2	Cal kit, EAGLE 2, 103L cyl 100 ppm isobutylene in air, dem flow reg, case & tubing	495.00
811-101-P2-DLV	Cal kit, EAGLE 2, 34L cyl 100 ppm isobutylene in air, dem flow reg, case & tubing	410.00
811-102-10DLV	Cal Kit,EAG2,4% hydrogen in N2,34L,dem flow reg	415.00
811-102-20-DLV	Cal Kit,EAG2,100% hydrogen in N2,34L,dem flow reg	410.00
812-045-DLV	Cal kit, EAGLE 2, 34L cyl 100% vol CH4, dem flow reg, case & tubing	500.00
812-101-P1	Cal kit, EAGLE 2, 103L cyl 50% LEL CH4/Air, 103L cyl 10 ppm isobutylene in air, dem flow reg, case & tubing	640.00

Numerical Index

Part#	Description	Suggested Retail
812-101-P1	Cal kit, EAGLE 2, 103L cyl 50% LEL CH4/Air, 103L cyl 10 ppm isobutylene in air, dem flow reg, case & tubing	640.00
812-101-P1-DLV	Cal kit, EAGLE 2, 34L cyl 50% LEL CH4/Air, 34L cyl 10 ppm isobutylene/air, dem flow reg, case & tubing ...	465.00
812-101-P1-HDLV	Cal kit, EAGLE 2, 34L cyl 10% LEL Hex/Air, 34L cyl 10 ppm isobutylene/air, dem flow reg, case & tubing ...	630.00
812-101-P2	Cal kit, EAGLE 2, 103L cyl 50% LEL CH4/Air, 103L cyl 100 ppm isobutylene in air, dem flow reg, case & tubing	650.00
812-101-P2-DLV	Cal kit, EAGLE 2, 34L cyl 50% LEL CH4/Air, 34L cyl 10 ppm isobutylene in air, dem flow reg, case & tubing	465.00
812-101-P25	Cal kit, EAGLE 2, 58AL cyl 100 ppm isobutylene/50% LEL CH4/25 ppm H2S/50 ppm CO/12% O2/N2, dem flow reg, case & tubing	615.00
812-101-P25-DLV	Cal kit, EAGLE 2, 34AL cyl 100 ppm isobutylene/50% LEL CH4/25 ppm H2S/50 ppm CO/12% O2/N2, dem flow reg, case & tubing	555.00
812-102-20-DLV	Cal kit, EAGLE 2, 34L cyl 100% H2, dem flow reg, case & tubing	410.00
812-102-20HDLV	Cal Kit,Eagle 2,50 %LEL H2/100 %vol H2,34 liter,demand flow regulator	460.00
812-103-10-DLV	Cal Kit,EAG2,H2/N2,34L,dem flow reg	375.00
813-002-DLV	Cal Kit,EAG2,LEL/O2/CO,34L,dem flow reg	410.00
813-022-DLV	Cal Kit,EAG2,LEL H2/O2/CH4,34L,dem flow reg	465.00
813-026-02-DLV	Cal kit, EAGLE 2, 34L cyl 5000 ppm CO/N2, 34L cyl CO/CH4/O2, dem flow reg, case & tubing	465.00
813-035-05-DLV	Cal kit,CH4/Oxy,34L,CO2/N2,34L,demand flow regulator	465.00
813-101-P1	Cal kit, EAGLE 2, 103L cyl 50 ppm CO/50% LEL CH4/12% O2/N2, 103L cyl 10 ppm isobutylene in air, dem flow reg, case & tubing	670.00
813-101-P1-DLV	Cal kit, EAGLE 2, 34L cyl 50 ppm CO/50% LEL CH4/12% O2/N2, 34L cyl 10 ppm isobutylene in air, dem flow reg, case & tubing	465.00
813-101-P2	Cal kit, EAGLE 2, 103L cyl 50 ppm CO/50% LEL CH4/12% O2/N2, 103L cyl 100 ppm isobutylene in air, dem flow reg, case & tubing	690.00
813-101-P2-DLV	Cal kit, EAGLE 2, 34L cyl 50 ppm CO/50% LEL CH4/12% O2/N2, 34L cyl 100 ppm isobutylene in air, dem flow reg, case & tubing	465.00
813-101-P2-HDLV	Cal kit, EAGLE 2, 34L cyl 50 ppm CO/50% LEL Hex/12% O2/N2, 34L cyl 100 ppm isobutylene in air, dem flow reg, case & tubing	465.00
813-104-10DLV	Cal Kit,EAG2,H2 4% vol,34L, CO/LEL/O2,34L,dem flow reg	470.00
813-104-20DLV	Cal Kit,EAG2,H2 100% vol,34L, CO/LEL/O2,34L,dem flow reg	465.00
813-106-10-DLV	Cal kit, EAGLE 2, 34L 4% vol H2/N2, 34L CO/CH4/O2, dem flow reg, case & tubing	470.00
813-113-LV	Cal kit, EAGLE 2, 34L cyl 2.5% CO2/N2, 34AL cyl 25 ppm NH3/N2, 34AL cyl Cl2/N2, dispensing valve, reg, gas bag, case & tubing	780.00
813-114-25-DLV	Cal kit, EAGLE 2, 34L cyl 100% H2, 34L cyl 15% CO2/N2, dem flow reg, case & tubing	470.00
814-068-05-DLV	Cal Kit,EAG,LEL/O2/H2S/CO2,34L,dem flow reg	520.00
814-074-03-DLV	Cal kit, EAGLE 2, 34L cyl CO/CH4/O2, 34L cyl 2.5% CO2/N2, 34L cyl 50% vol CH4/N2, dem flow reg, case & tubing	520.00
814-074-05-DLV	Cal kit, EAGLE 2, 34L cyl CO/CH4/O2, 34L cyl 15% CO2/N2, 34L cyl 50% vol CH4/N2, dem flow reg, case & tubing	520.00
814-101-P1	Cal kit, EAGLE 2, 58AL cyl H2S/CO/CH4/O2, 103L cyl 10 ppm isobutylene in air, dem flow reg, case & tubing	725.00
814-101-P1-DLV	Cal kit, EAGLE 2, 34AL cyl H2S/CO/CH4/O2, 34AL cyl 10 ppm isobutylene in air, dem flow reg, case & tubing	630.00
814-101-P2	Cal kit, EAGLE 2, 58AL cyl H2S/CO/CH4/O2, 103L cyl 100 ppm isobutylene in air, dem flow reg, case & tubing	715.00
814-101-P2-DLV	Cal kit, EAGLE 2, 34AL cyl H2S/CO/CH4/O2, 34AL cyl 100 ppm isobutylene in air, dem flow reg, case & tubing	630.00
814-101-P25	Cal kit, EAGLE 2, 58AL cyl 100 ppm isobutylene/25 ppm H2S/50 ppm CO/50% LEL CH4/12% O2/N2, dem flow reg, case & tubing	615.00
814-101-P25-DLV	Cal kit, EAGLE 2, 34AL cyl 100 ppm isobutylene/25 ppm H2S/50 ppm CO/50% LEL CH4/12% O2/N2, dem flow reg, case & tubing	555.00
814-102-P2-DLV	Cal kit, EAGLE 2, 34L cyl CO/CH4/O2, 34L cyl 100 ppm isobutylene/air, dem flow reg, case & tubing	465.00
814-103-25-DLV	Cal kit, EAGLE 2, 34L cyl 50% LEL H2/N2, 34L cyl 100% H2, 34L cyl 15% vol CO2/N2, dem flow reg, case & tubing	525.00
814-114-P2-DLV	Cal kit, EAGLE 2, 103L cyl 50% LEL CH4/Air, 34AL cyl 100 ppm isobutylene in air, 34AL cyl 25 ppm NH3/N2, dem flow reg, case & tubing	1,200.00
814-114-P2-HDLV	Cal kit, EAGLE 2, 103L cyl 10% LEL Hex/air, 34AL cyl 100 ppm isobutylene/air, 34AL cyl 10 ppm NH3/N2, 34AL cyl 2 ppm Cl2/N2, dem flow reg, case & tubing	1,200.00
815-001	Cal kit, EAGLE 2, 58AL cyl SO2/H2S/CO/CH4/O2, dem flow reg, case & tubing	575.00
815-001-DLV	Cal kit, EAGLE 2, 34AL cyl SO2/H2S/CO/CH4/O2, dem flow reg, case & tubing	525.00

Numerical Index

Part#	Description	Suggested Retail
815-101-P1	Cal kit, EAGLE 2, 58AL cyl H2S/CO/CH4/O2, 103L cyl 10 ppm isobutylene in air, dem flow reg, case & tubing	725.00
815-101-P1-DLV	Cal kit, EAGLE 2, 34AL cyl H2S/CO/CH4/O2, 34AL cyl 10 ppm isobutylene in air, dem flow reg, case & tubing	655.00
815-101-P1-LV	Cal kit, EAGLE 2, 34AL cyl H2S/CO/CH4/O2, 34AL cyl 10 ppm isobutylene in air, reg with gauge & knob, gas bag, case & tubing	485.00
815-101-P2	Cal kit, EAGLE 2, 58AL cyl H2S/CO/CH4/O2, 103L cyl 100 ppm isobutylene in air, dem flow reg, case & tubing	735.00
815-101-P2-DLV	Cal kit, EAGLE 2, 34AL cyl H2S/CO/CH4/O2, 34AL cyl 100 ppm isobutylene in air, dem flow reg, case & tubing	685.00
815-101-P2-HDLV	Cal kit, EAGLE 2, 34AL cyl H2S/CO/Hex/O2, 34AL cyl 100 ppm isobutylene in air, dem flow reg, case & tubing	795.00
815-101-P2-LV	Cal kit, EAGLE 2, 34AL cyl H2S/CO/CH4/O2, 34AL cyl 100 ppm isobutylene in air, reg with gauge & knob, gas bag, case & tubing	560.00
815-102-P1	Cal kit, EAGLE 2, 103L cyl LEL/O2/CO, 103L cyl 10 ppm isobutylene/air, 103L cyl 10 ppm HCN/N2, dem flow reg, case & tubing	950.00
815-102-P1-DLV	Cal kit, EAGLE 2, 34L cyl LEL/O2/CO, 34L cyl 10 ppm isobutylene/air, 34AL cyl 10 ppm HCN/N2, dem flow reg, case & tubing	465.00
815-102-P1-LV	Cal kit, EAGLE 2, 34L cyl LEL/O2/CO, 34L cyl 10 ppm isobutylene/air, 34AL cyl 10 ppm HCN/N2, reg, disp valve, gas bag, case & tubing	335.00
815-103-02P2DLV	Cal Kit,EAG2,CO/LEL/O2 5L,Isobutylene/Air 34L,CO2/N2 34L,Isobutylene/demand flow regulator	525.00
815-106-05-DLV	Cal kit, EAGLE 2, 34AL cyl H2S/CO/CH4/O2, 34L cyl 15% CO2/N2, dem flow reg, case & tubing	660.00
815-111-05H2DLV	Cal Kit,EAG2,H2/CO2/LEL/O2 34AL & 103L,demand flow regulator.....	875.00
816-017	Cal Kit,EAG2,H2S/CO/LEL/O 34L,5 ppm SO2 34 L,10 ppm NH3 34L,dem flow reg	890.00
816-101-P25-DLV	Cal Kit,EAG2,Isobutylene/H2S/CO/LEL/O2 34AL,SO2/N2 34AL,dem reg	710.00
816-102-P25-DLV	Cal kit, EAGLE 2, 34AL cyl 100 ppm isobutylene/H2S/CO/CH4/O2/N2, 34AL cyl 25 ppm NH3/N2, dem flow reg, case & tubing	810.00
816-106-02P1DLV	Cal Kit,EAG2,Isobutylene/H2S/CO/LEL/O2 34AL,CO2/N2 103L,dem reg	775.00
816-106-03P2DLV	Cal kit, EAGLE 2, 34AL cyl H2S/CO/CH4/O2, 34AL cyl 100 ppm isobutylene/N2, 103L, 2.5% CO2/N2, dem flow reg, case & tubing	885.00
816-106-05P2DLV	Cal kit, EAGLE 2, 34AL cyl H2S/CO/CH4/O2, 34AL cyl 100 ppm isobutylene/N2, 103L, 15% CO2/N2, dem flow reg, case & tubing	885.00
816-109-P2-DLV	Cal kit, EAGLE 2, 34AL cyl H2S/CO/CH4/O2, 34AL cyl 5 ppm SO2/N2, 34AL, 10 ppm NH3/N2, 34AL 100 ppm isobutylene/air, dem flow reg, two cases & tubing	1,060.00
816-111-30P2DLV	Cal kit, EAGLE 2, 58L 100% vol CH4, 34AL cyl 100 ppm isobutylene/Air, 34AL cyl H2S/CO/CH4/O2/N2, dem flow reg, case & tubing	825.00
816-115-02	Cal kit, EAGLE 2, 34AL cyl H2S/CO/CH4/O2, 103L cyl 50% CH4/N2, 103L, 5000 CO2/N2, dem flow reg, case & tubing	990.00
816-122-P2-DLV	Cal Kit,EAG2,H2S/CO/LEL/O2 34ALL,Isobutylene/Air 34AL,SO2/N2 34AL,dem reg	825.00
816-124-P2	Cal kit, EAGLE 2, 103L cyl CO/CH4/O2/N2, 34AL cyl 100 ppm isobutylene/Air, 34AL cyl 25 ppm NH3/N2, 34AL cyl PH3/N2, dem flow reg, case & tubing	1,380.00
82-0001RK	Tool for removing pins for watchband or clip	14.00
82-0002RK	Pocket screwdriver with detachable tips	6.00
82-0003RK	Removal Tool,Electrode Stack,for Ion Science PID Sensor	5.00
82-0006RK	Screwdriver, pot adjust, no logo	3.80
82-0101RK	Magnetic wand, for M2A/M2 Transmitter, south pole	15.00
82-0300RK	PID lamp cleaning kit with removal tool	40.00
82-1001	Tripod stand for FP-31	94.00
82-1001-01	Tripod attachment for FP-31	40.00
82-5007RK	Data logging kit, downloading, EAGLE	165.00
82-5010RK-USB	Data log package, with IrDA USB cable & software, GX-2003	125.00
82-5011RK-USB	Downloading kit with software & IrDA to USB cable	125.00
82-5012RK	Downloading software and USB cable,for 82-5100RK & 82-5101RK	280.00
82-5012RK-01	USB cable only,no software,for 82-5100RK & 82-5101RK	200.00
82-5012RK-02	Software only,no cable,for 82-5100RK & 82-5101RK.....	10.00
82-5013RK	Datalogging package,FP-30/FP-40	80.00
82-5014RK	Datalogging package for RX-515 / RX-516 / RX-517	150.00
82-5015RK	Data Logging Package,GX-2009	100.00
82-5016RK	User Setup Program Package,GX-2009	100.00
82-5100RK	Datalogger, 4-channel, 4-20 mA with software & USB cable	1,800.00

Numerical Index

Part#	Description	Suggested Retail
82-5102RK	Datalogger, 1 channel, 4-20 mA input, USB interface, with software & leads, Lascar EL-USB-4	250.00
82-6050RK	USB Hub, 4 port 2.0 for SDM-2012	72.00
82-6051RK	USB Hub, 7 port 2.0 for SDM-2012	90.00
82-6105RK	USB flash drive, 1 GB, for calibration stations	30.00
82-6106	SD card,4 GB	25.00
82-6107	USB SD card reader with 2 GB SD card	25.00
82-6400	Portable printer for SDM-6000, 58 mm paper width, includes USB/serial/IR adapter,battery pack, USB cable, AC power adapter and cable	960.00
82-6400-01	Thermal printer paper roll, 58 mm width for SDM-6000	31.00
83-0005RK	Software, Datalogging, Eagle/GX-94	20.00
83-0006RK	Software,datalogging,GX-2001	20.00
83-0007RK	Software CD only, data logging / downloading, GX-2003 / GX-2012	25.00
83-0008RK	Software, Data Cal 2000 docking station	25.00
83-0009RK	Software,Single Module Data Viewer,SM-2001U/SM-2003U/SM-2009U	25.00
83-0010RK	Data downloading software for SC-01	25.00
83-0016RK	Software,Single Module Data Viewer/PC Controlled,SDM-E2/SDM-2012/SDM-2009.....	25.00
83-8012RK	Software,datalogging,RX-515/RX-516/RX-517	25.00
90-CALCERT	Calibration certificate for this shipment	10.00
90-F-DAY	Field service daily charge	850.00
90-F-HOUR	Field service hourly labor charge	125.00
90-R-EST	Repair estimate fee, at \$85/hour	85.00
91-1000	Adding a super toxic sensor to EAGLE	1,200.00
91-1000-01	Adding a super toxic sensor to EAGLE if instrument has existing super toxic sensor	1,200.00
91-1001	Adding a 0 - 100% LEL (IR) CH4 sensor to EAGLE	1,100.00
91-1001-01	Adding a 0 - 100% LEL (IR) CH4 sensor to EAGLE if instrument has existing IR sensor	1,100.00
91-1002	Adding a 0 - 100% Vol CH4 sensor to EAGLE	1,100.00
91-1002-01	Adding a 0 - 100% Vol CH4 sensor to EAGLE if instrument has existing IR sensor	1,100.00
91-1003	Adding CO2 0 - 5,000 / 10,000 ppm to EAGLE	1,100.00
91-1003-01	Adding CO2 0 - 5,000 / 10,000 ppm to EAGLE if instrument has existing IR sensor	1,100.00
91-1004	Adding CO2 0 - 5% to EAGLE	1,100.00
91-1004-01	Adding CO2 0 - 5% to EAGLE if instrument has existing IR sensor	1,100.00
91-1005	Adding CO2 0 - 20% / 0 - 60% Vol to EAGLE	1,100.00
91-1005-01	Adding CO2 0 - 20% / 0 - 60% Vol to EAGLE if instrument has existing IR sensor	1,100.00
91-1006	Changing from one Super Toxic gas type to another	855.00
91-1007	Changing from 2 gas flow chamber to 4 gas flow chamber (sensors not included)	320.00
91-1025	Adding Low Range PID to EAGLE 2	1,950.00
91-1026	Adding High Range PID to EAGLE 2	1,650.00
91-1027	Adding 10,000ppm IR CO2 sensor to EAGLE 2	1,100.00
91-1028	Adding 5% IR CO2 sensor to EAGLE 2	1,100.00
91-1029	Adding 60% IR CO2 sensor to EAGLE 2	1,100.00
91-1030	Adding IR CH4 sensor to EAGLE 2	1,100.00
91-1031	Adding IR HC sensor to EAGLE 2	1,100.00
91-1032	Adding TC CH4 sensor to EAGLE 2	750.00
91-1033	Adding TC H2 sensor to EAGLE 2	750.00
91-1034	Adding ESM-01 sensor to EAGLE 2	700.00
91-1034-SO2	Upgrade,Eagle 2,adding ESM-01 SO2 sensor	700.00
91-1035	Adding standard 4 gas block & sensors to EAGLE 2	1,100.00
91-C-ELVL1	Level 1 service for any EAGLE with 1 to 4 gas sensors including (LEL/O2/H2S/CO) or any single gas toxic / PID / TC / IR sensor	180.00
91-C-ELVL2	Level 2 service for any EAGLE with 2 super toxic / PID / TC / IR sensors only or 1 super toxic / PID / TC / IR sensor plus any 1 to 4 gas sensors including (LEL/O2/H2S/CO)	225.00
91-C-ELVL3	Level 3 service for any EAGLE with 2 or more super toxic / PID / TC / IR sensors plus any 1 to 4 gas sensors including (LEL/O2/H2S/CO)	270.00
91-C-LVL1	Level 1 service - inspect, service, and calibration of the following instruments: 03 Series, GasWatch 2, GP-01, OX-01, HS-01, CO-01, GP-204, NP-204, & SC-01	95.00
91-C-LVL2	Level 2 service - inspect, service, and calibration of the following instruments: GX-2009, GX-2012, GX-6000 (4 gas, PID only, or toxic only), Gas Tracer, GX-2001, GX-2003, GX-94, GX-82A, GX-86A, RI-413A, SP-205ASC, GX-85N, NP-85, GP-226, RI-415, RX-415, GX-8000, RX-8000, & PS 2	130.00
91-C-LVL3	Level 3 service - inspect, service, and calibration of the following instruments: GX-6000 (4 gas + PID/toxic), RX-516, RX-517, RI-413, GD-K88Ai, GD-70D, GD-K7D2, GD-K77D, SC-1	170.00
91-C-LVL4	Level 4 service - inspect, service, and calibration of the following instruments: FP-30, FP-40, FP-31	250.00

Numerical Index

Part#	Description	Suggested Retail
91-C-LVL5	Level 4 service - inspect, service, and calibration of the following instruments: FP-300, FP-301, FP-330 ...	350.00
91-R-LABOR	Labor and diagnostic charge,repair	85.00
91-R-XFEE	Labor charge, expedite fee	85.00
91-R1-XFEE	Labor charge, 1 day expedite fee	150.00
91-R3-XFEE	Labor charge, 3 day expedite fee	85.00
DE-3113-13	Sensor, IR, Methane (CH4) 0 - 100% LEL / 0 - 100% volume auto range for RX-8000	1,350.00
DE-3123-4	Sensor, IR, Hydrocarbons (HC) 0 - 100% LEL / 0 - 100% volume auto range for RX-8000	1,350.00
DE-3313-17	IR sensor with chamber,for SD-705RID (i-C4H10)	1,260.00
DE-3313-5	IR detector,HC,LEL,for SD-705RID (i-C4H10)	1,000.00
DEM-3313-1	Sensor, IR, Carbon Dioxide (CO2), 0 - 5% volume range	750.00
DEM-3313-2	Sensor, IR, HC, 0 - 100% LEL / 0 - 30% volume auto range	750.00
DEM-3313-3	Sensor, IR, Methane (CH4), 0 - 100% LEL & 0 - 100% volume autoranging	750.00
DEM-3313-3A	Sensor, IR, Methane (CH4), 0 - 100% volume autoranging	750.00
DEM-3313-4	Sensor, IR, Carbon Dioxide (CO2), 0 - 10,000 ppm range	750.00
DEM-3313-5	Sensor, IR, Carbon Dioxide (CO2), 0 - 60% volume range	750.00
DES-3311-1	Sensor, IR, Carbon Dioxide (CO2) 0 - 5% for GX-6000	400.00
DES-3311-1-01	Sensor, IR, Carbon Dioxide (CO2) 0 - 5% with scrubber for GX-6000	450.00
DES-3311-2	Sensor, IR, Hydrocarbons (HC) 0 - 100% LEL / 0 - 30% volume auto range for GX-6000	400.00
DES-3311-3	Sensor, IR, Methane (CH4) 0 - 100% LEL / 0 - 100% volume auto range for GX-6000	400.00
DES-3311-4	Sensor, IR, Carbon Dioxide (CO2) 0 - 10,000 ppm for GX-6000	400.00
DES-3311-4-01	Sensor, IR, Carbon Dioxide (CO2) 0 - 10,000 ppm with scrubber for GX-6000	450.00
EC-5002	Module,indicator/alarm, toxic gasses, 2-wire 4-20 mA, RM-5000 Series (specify gas & range)	660.00
EC-5002-NH3	Module,indicator/alarm, 0-75.0 ppm NH3, 2-wire 4-20 mA, RM-5000 Series	660.00
EL-7776	Filament set only, CH4, for GP-204 with RKK Style sensors	95.00
ES-031M-CO	Sensor, Carbon Monoxide (CO), 0 - 1,000 ppm for RX-515	225.00
ES-037I-H2S	Sensor, Hydrogen Sulfide (H2S), 0 - 100 ppm for GX-8000	280.00
ES-037R-H2S	Sensor, Hydrogen Sulfide (H2S), low range 0 - 100 ppm, ES-037R for RX-516/RX-517	165.00
ES-037RM-H2S	Sensor, Hydrogen Sulfide (H2S), high range 0 - 1,000 ppm, ES-037R, for RX-517	225.00
ES-1531-CO	Sensor, Carbon Monoxide (CO) 0 - 300 ppm, plug-in type, CT-7 style, cCSAus version	195.00
ES-1537-H2S	Sensor, Hydrogen Sulfide (H2S) 0 - 100 ppm, plug-in type, CT-7 style, cCSAus version	195.00
ES-1821	Sensor, Carbon Monoxide (CO) for GX-2009/GX-2012/GX-6000/CO-03/GasWatch 2/Gas Tracer	140.00
ES-1827I	Sensor, Hydrogen Sulfide (H2S) for GX-2009/GX-2012/GX-6000/HS-03/GasWatch 2	140.00
ES-23-CO	Sensor, Carbon Monoxide (CO), large, 0 - 150 ppm range	465.00
ES-237-H2S	Sensor, Hydrogen Sulfide (H2S), 0 - 30 ppm range	465.00
ES-238-SO2	Sensor, Sulfur Dioxide (SO2), new style, 0 - 10 ppm (or 0 - 6 ppm) range	465.00
ES-23A-NO	Sensor, Nitric Oxide (NO) 0 - 100 ppm range	465.00
ES-23A-SO2	Sensor, Sulfur Dioxide (SO2), 0-30 ppm, GD-K8 (old style)	465.00
ES-23AH-B2H6	Sensor, Diborane (B2H6) 0 - 30 ppm range	465.00
ES-23AH-D-CL2	Sensor,Chlorine,0-3 PPM,GD-K8	465.00
ES-23AH-H2S	Sensor, Hydrogen Sulfide (H2S), 0 - 1.00 ppm range	465.00
ES-23AH-NO2	Sensor, Nitrogen Dioxide (NO2) 0 - 15 ppm range	465.00
ES-23AH-O3	Sensor, Ozone (O3) 0 - 5.00 ppm range (old style)	465.00
ES-23AH-PH3	Sensor, Phosphine (PH3) 0 - 1.00 ppm range (no H2 response)	465.00
ES-23AH-SiH4	Sensor, Silane (SiH4) 0 - 15 ppm range, old style (no H2 response)	465.00
ES-23AHS-ASH3	Sensor, Arsine (AsH3) 0 - 0.20 ppm range or 0 - 1.00 ppm range	465.00
ES-23AY-B2H6	Sensor, Diborane (B2H6) 0 - 0.30 ppm range	465.00
ES-23DH-GEH4	Sensor,GEH4,0-0.8 PPM,GD-K8	465.00
ES-23DH-H2O2	Sensor, Hydrogen Peroxide (H2O2), 0-3 PPM, GD-K8	465.00
ES-23DH-HCN	Sensor, Hydrogen Cyanide (HCN) 0 - 30 ppm range	465.00
ES-23DH-PH3	Sensor, Phosphine (PH3) 0 - 1.00 ppm, GD-K8 (with H2 response)	465.00
ES-23DH-Si2H6	Sensor,Disilane,0-15PPM, GD-K8	465.00
ES-23DH-SiH4	Sensor, Silane (SiH4) 0 - 15 ppm range, new style (with H2 response)	465.00
ES-23E-HBR	Sensor, Hydrogen Bromide (HBr) 0 - 9.00 ppm range	465.00
ES-23E-HCL	Sensor, Hydrogen Chloride (HCl), 0 - 15 ppm range, (no Cl2 response)	465.00
ES-23E-HI	Sensor, Hydrogen Iodide (HI), 0-5 ppm	465.00
ES-23E-N2H4	Sensor, Hydrazine (N2H4), 0 - 5 ppm range	465.00
ES-23E-SO2	Sensor, Sulfur Dioxide (SO2) 0 - 30 ppm range (or 0 - 15 ppm range)	465.00
ES-23R-A-NH3	Sensor,Ammonia,0-150 PPM,GD-K8	465.00
ES-23R-NH3	Sensor, Ammonia (NH3), (new style) 0 - 75 ppm range, (higher range optional)	465.00
ES-23RL-NH3	Sensor,Ammonia,0-75 PPM,GD-K8,low humidity	465.00
ES-23RV-BTBAS	Sensor, BTBAS, 0 - 15 ppm	465.00

Numerical Index

Part#	Description	Suggested Retail
ES-23RV-DEA	Sensor,diethylamine,0-15 PPM	465.00
ES-23RV-DMA	Sensor,dimethylamine,0-15 PPM	465.00
ES-23RV-TEMAH	Sensor,TEMAH,0-15 PPM	465.00
ES-23RVM-DEA	Sensor,diethylamine,0-15 PPM,low humidity type	465.00
ES-23RVM-DMA	Sensor,dimethylamine,0-15 PPM,low humidity type	465.00
ES-23RVM-TEMAH	Sensor,TEMAH,0-15 PPM,low humidity type	465.00
ES-23SD-H2SE	Sensor, Hydrogen Selenide (H2Se) 0 - 0.20 ppm range	465.00
ES-837RP	Sensor, H2S, for SD-703EC	500.00
ES-87RW-H2S	Sensor, Hydrogen Sulfide (H2S), 0 - 1000 ppm range, EAGLE 2 standard, EAGLE marine versions	195.00
ES-937-H2S	Sensor,H2S,0-30 PPM for GD-K3/GD-K34	485.00
ES-937P-H2S	Sensor,H2S,0-30 PPM,for GD-K3	465.00
ES-937X-H2S	Sensor,0 - 30 ppm H2S	465.00
ES-K233-ACET	Sensor,acetic acid (CH3COOH),0-30 ppm,GD-K8	465.00
ES-K233-BR2	Sensor, Bromine (Br2) 0 - 1.00 ppm range	465.00
ES-K233-CL2	Sensor, Chlorine (Cl2) 0 - 3.00 ppm range (Family acid gas sensor)	465.00
ES-K233-F2	Sensor, Fluorine (F2) 0 - 3.00 ppm range	465.00
ES-K233-HCL	Sensor, Hydrogen Chloride (HCl) 0 - 15 ppm range (with CL2 response)	465.00
ES-K233-HF	Sensor, Hydrogen Fluoride (HF) 0 - 9.00 ppm range	465.00
ES-K233-HNO3	Sensor, Nitric Acid (HNO3), 0 - 20 ppm	465.00
ES-K233-I2	Sensor, Iodine (I2), 0 - 1 ppm	465.00
ES-K233C-S-CLF3	Sensor, Chlorine Trifluoride (ClF3) 0 - 1 ppm range, for GD-K7D/2	465.00
ES-K233L-HF	Sensor,HF,0-9 PPM,GD-K8,low humidity	465.00
ES-K237-H2S	Sensor,H2S, 0-30 ppm	465.00
ES-K239B-CL2	Sensor, Chlorine (Cl2), 0 - 3.00 ppm, H2S resistant	465.00
ES-K239C-O3	Sensor, Ozone (O3) 0-1 ppm, new style, replaces ES-K239-O3	465.00
ES-K239CL-O3	Sensor,Ozone,0-1 PPM,new style,low humidity	465.00
ESM-011-CO	Sensor, Carbon Monoxide (CO), 0-75 ppm, ESM-01 plug-in diffusion type	195.00
ESM-017-H2S	Sensor, Hydrogen Sulfide (H2S), 0 - 30 ppm, ESM-01 plug-in diffusion type	195.00
ESM-01DH-ASH3	Sensor, Arsine (AsH3), 0 - 1.50 ppm, ESM-01 plug-in type	195.00
ESM-01DH-D-HCN	Sensor, Hydrogen Cyanide (HCN), 0 - 15 ppm, ESM-01 plug-in type	195.00
ESM-01DH-D-SO2	Sensor, Sulfur Dioxide (SO2), 0 - 6 ppm, ESM-01 plug-in type	195.00
ESM-01DH-F-SO2	Sensor, Sulfur Dioxide (SO2), 0 - 6 ppm, ESM-01 plug-in type	195.00
ESM-01DH-PH3	Sensor, Phosphine (PH3), 0 - 1.0 ppm, ESM-01 plug-in type	195.00
ESM-01DHL-HCN	Sensor, Hydrogen Cyanide (HCN), 0 - 15 ppm, ESM-01 plug-in type, for low humidity use	225.00
ESM-01R-D-NH3	Sensor, Ammonia (NH3), 0 - 75 ppm, ESM-01 plug-in type, for diffusion instruments	195.00
ESM-01R-NH3	Sensor, Ammonia (NH3), 0 - 75 ppm, ESM-01 plug-in type	195.00
ESM-23-CO	Sensor, Carbon Monoxide (CO), 0-150 ppm, for GD-K88Ai, GD-K71D, GD-K77D, and SC-8000	480.00
ESM-238-SO2	Sensor, Sulfur Dioxide (SO2), 0-6 ppm, for GD-K71D, GD-K77D, and SC-8000	480.00
ESM-23A-NO	Sensor, Nitric Oxide (NO), 0-100 ppm, for GD-K88Ai, GD-K71D, GD-K77D, and SC-8000	480.00
ESM-23AH-ASH3	Sensor, Arsine (AsH3), 0-1.0 ppm, for GD-K88Ai, GD-K71D, GD-K77D, and SC-8000	480.00
ESM-23AH-H2S-01	Sensor, Hydrogen Sulfide (H2S), 0-1 ppm, for GD-K88Ai, GD-K71D or GD-K77D	480.00
ESM-23AH-NO2	Sensor, Nitrogen Dioxide (NO2), 0-15 ppm, for GD-K88Ai, GD-K71D, GD-K77D, and SC-8000	480.00
ESM-23AH-NO2/NF	Sensor, Nitrogen Dioxide (NO2), 0-30 ppm, (for Nitrogen Trifluoride NF3, GD-K77DG-NF3)	480.00
ESM-23AH-PH3	Sensor, Phosphine (PH3), 0-1 ppm, for GD-K88Ai, GD-K71D, GD-K77D, and SC-8000	480.00
ESM-23AH-SiH4	Sensor, Silane (SiH4), 0-15 ppm, low H2 response, for GD-K88Ai, GD-K71D, GD-K77D, and SC-8000	480.00
ESM-23AHS-ASH3	Sensor, Arsine (AsH3), 0-0.2 ppm, for GD-K88Ai, GD-K71D, GD-K77D, and SC-8000	480.00
ESM-23AY-B2H6	Sensor, Diborane (B2H6), 0-0.3 ppm, for GD-K88Ai, GD-K71D, GD-K77D, and SC-8000	480.00
ESM-23DH-GEH4	Sensor, Germane (GeH4), 0-0.8 ppm, for GD-K88Ai, GD-K71D, GD-K77D, and SC-8000	480.00
ESM-23DH-H2O2	Sensor,H2O2,0-3.0 ppm,for GD-K77D	480.00
ESM-23DH-HCN	Sensor, Hydrogen Cyanide (HCN), 0-30 ppm, for GD-K88Ai, GD-K71D, GD-K77D, and SC-8000	480.00
ESM-23DH-MS	Sensor, Methyl Silane (CH3SiH3), 0-20 ppm, for GD-K88Ai, GD-K71D, GD-K77D, and SC-8000	480.00
ESM-23DH-PH3	Sensor,PH3,0-1 PPM,for GD-K77D	480.00
ESM-23DH-Si2H6	Sensor, Disilane (Si2H6), 0-15 ppm, for GD-K88Ai, GD-K71D, GD-K77D, and SC-8000	480.00
ESM-23DH-SiH4	Sensor, Silane (SiH4), 0-15 ppm, for GD-K88Ai, GD-K71D, GD-K77D, and SC-8000, with H2 response	480.00
ESM-23E-HBR	Sensor, Hydrogen Bromide (HBr), 0-9 ppm, for GD-K88Ai, GD-K71D or GD-K77D	480.00
ESM-23E-HCL	Sensor, Hydrogen Chloride (HCl), 0-15 ppm, (with H2 response) for GD-K88Ai, GD-K71D, GD-K77D, and SC-8000	480.00
ESM-23E-SO2	Sensor, Sulfur Dioxide (SO2), 0-30 ppm, for GD-K88Ai, GD-K71D, GD-K77D, and SC-8000	480.00
ESM-23R-NH3	Sensor, Ammonia (NH3), 0-75 ppm, for GD-K88Ai, GD-K71D, GD-K77D, and SC-8000	480.00
ESM-23RH-NH3	Sensor, Ammonia (NH3), 0-75 ppm, for GD-K88Ai, GD-K71D, GD-K77D, and SC-8000, high humidity use	480.00
ESM-23RV-BTBAS	Sensor,BTBAS,0-15 PPM,GD-K77D	480.00

Numerical Index

Part#	Description	Suggested Retail
ESM-23RV-TEMAH	Sensor,TEMAH,0-15 PPM,GD-K77D	480.00
ESM-23SD-H2SE	Sensor, Hydrogen Selenide (H2Se), 0-0.20 ppm, for GD-K8A	480.00
ESM-K01-CL2	Sensor, Chlorine (Cl2), 0 - 3 ppm, ESM-01 plug-in type	195.00
ESM-K01-D-CL2	Sensor, Chlorine (Cl2), 0 - 3 ppm, ESM-01 plug-in diffusion type.....	240.00
ESM-K233-BR2	Sensor,Br2,0-1 PPM,for GD-K77D	480.00
ESM-K233-CL2	Sensor, Chlorine (Cl2), 0-3 ppm, for GD-K88Ai, GD-K71D, GD-K77D, and SC-8000	480.00
ESM-K233-F2	Sensor, Fluorine (F2), 0-3 ppm, for GD-K88Ai, GD-K71D, GD-K77D, and SC-8000	480.00
ESM-K233-HCL	Sensor, Hydrogen Chloride (HCl), 0-15 ppm, for GD-K88Ai, GD-K71D, GD-K77D, and SC-8000	480.00
ESM-K233-HF	Sensor, Hydrogen Fluoride (HF), 0-9 ppm, for GD-K88Ai, GD-K71D, GD-K77D, and SC-8000	480.00
ESM-K233-HNO3	Sensor,HNO3,0-20.0 PPM,for GD-K77D	480.00
ESM-K233-I2	Sensor,Iodine (I2),0-1.00 PPM,for GD-K77D	480.00
ESM-K233CS-CLFC	Sensor, Chlorine Trifluoride (ClF3), 0-0.6 ppm, for GD-K88Ai, GD-K71D, GD-K77D, and SC-8000 (no acid gas sensitivity)	480.00
ESM-K239C-O3	Sensor, Ozone (O3), 0-1.0 ppm, for GD-K88Ai, GD-K71D, GD-K77D, and SC-8000	480.00
ESM-K239C-O3-06	Sensor,Ozone,0-0.6 PPM,for GD-K77D (ESM-K239C-S-03)	480.00
ESM-K239CL-O3	Sensor,Ozone,0-1 PPM,for GD-K77D,low humidity	480.00
ESS-039-CL2	Sensor, Chlorine (Cl2), 0-3 ppm for GX-6000	200.00
ESS-03DH-HCN	Sensor, Hydrogen Cyanide (HCN) 0 - 15 ppm for GX-6000	260.00
ESS-03DH-NO2	Sensor, Nitrogen Dioxide (NO2), 0-9 ppm for GX-6000	260.00
ESS-03DH-SO2	Sensor, Sulfur Dioxide (SO2) 0 - 6 ppm for GX-6000	260.00
ESS-03R-NH3	Sensor, Ammonia (NH3), 0-75 ppm for GX-6000	200.00
ESS-B332-NH3	Sensor, Ammonia (NH3), 0-400 ppm for GX-6000.....	260.00
ESS-B335-CL2	Sensor, Chlorine (Cl2), 0-10 ppm for GX-6000	260.00
ESU-23-CO-150	Sensor, Carbon Monoxide (CO), 0-150 ppm, sensor/amp unit for GD-70D	495.00
ESU-231-CO-150	Sensor,CO(carbon monoxide),0-150 ppm,for GD-70D	495.00
ESU-231-CO-300	Sensor,CO(carbon monoxide),0-300 ppm,for GD-70D	495.00
ESU-231-CO-75	Sensor,CO(Carbon Monoxide),0- 75 ppm,for GD-70D	495.00
ESU-237-H2S	Sensor, Hydrogen Sulfide (H2S), 0-30 ppm, sensor/amp unit for GD-70D	495.00
ESU-237IF-H2S	Sensor, Hydrogen Sulfide (H2S), 0-1.0 ppm, sensor/amp unit for GD-70D	495.00
ESU-238-SO2	Sensor, Sulfur Dioxide (SO2), 0-6.0 ppm, sensor/amp unit for GD-70D	495.00
ESU-23A-NO	Sensor, Nitric Oxide (NO), 0-100 ppm, sensor/amp unit for GD-70D	495.00
ESU-23AH-D-NF3	Sensor, Nitrogen Trifluoride (NF3), 0-30 ppm, sensor/amp unit for GD-70D	495.00
ESU-23AH-NO2-09	Sensor, Nitrogen Dioxide (NO2), 0-9 ppm, sensor/amp unit for GD-70D	495.00
ESU-23AH-NO2-15	Sensor, Nitrogen Dioxide (NO2), 0-15 ppm, sensor/amp unit for GD-70D	495.00
ESU-23AH-PH3	Sensor, Phosphine (PH3), 0-1.0 ppm, sensor/amp unit for GD-70D (no H2 response)	495.00
ESU-23AH-SiH4	Sensor, Silane (SiH4), 0-15 ppm, sensor/amp unit for GD-70D (no H2 response)	495.00
ESU-23AHS-ASH3	Sensor, Arsine (AsH3), 0-0.20 ppm, sensor/amp unit for GD-70D	495.00
ESU-23AY-B2H6	Sensor, Diborane (B2H6), 0-0.30 ppm, sensor/amp unit for GD-70D	495.00
ESU-23DH-GEH4	Sensor, Germane (GeH4), 0-0.80 ppm, sensor/amp unit for GD-70D	495.00
ESU-23DH-H2O2	Sensor,H2O2, (hydrogen peroxide),0-3.00 PPM,for GD-70D	495.00
ESU-23DH-HCN	Sensor, Hydrogen Cyanide (HCN), 0-15 ppm, sensor/amp unit for GD-70D	495.00
ESU-23DH-PH3	Sensor, Phosphine (PH3), 0-1.0 ppm, sensor/amp unit for GD-70D (with H2 response).....	495.00
ESU-23DH-Si2H6	Sensor, Disilane (Si2H6), 0-15 ppm, sensor/amp unit for GD-70D (with H2 response)	495.00
ESU-23DH-SiH4	Sensor, Silane (SiH4), 0-15 ppm, sensor/amp unit for GD-70D (with H2 response).....	495.00
ESU-23E-HBR-06	Sensor, Hydrogen Bromide (HBr), 0-6.00 ppm, sensor/amp unit for GD-70D	495.00
ESU-23E-HBR-09	Sensor, Hydrogen Bromide (HBr), 0-9.00 ppm, sensor/amp unit for GD-70D	495.00
ESU-23E-HCL-06	Sensor, Hydrogen Chloride (HCl), 0-6.00 ppm, sensor/amp unit for GD-70D	495.00
ESU-23E-HCL-15	Sensor, Hydrogen Chloride (HCl), 0-15 ppm, sensor/amp unit for GD-70D (standard range)	495.00
ESU-23E-N2H4	Sensor, Hydrazine (N2H4), 0-5.00 ppm, sensor/amp unit for GD-70D	495.00
ESU-23R-NH3	Sensor, Ammonia (NH3), 0-75 ppm, sensor/amp unit for GD-70D	495.00
ESU-23RV-CH3NH2	Sensor, Methylamine (CH3NH2), 0-15 ppm, sensor/amp unit for GD-70D	495.00
ESU-23RV-DEA	Sensor, Diethylamine (C2H5)2NH, 0-15.00 ppm, sensor/amp unit for GD-70D	495.00
ESU-23RV-DMA	Sensor, Dimethylamine (CH3)2NH, 0-15.00 ppm, sensor/amp unit for GD-70D	495.00
ESU-23RV-TMA	Sensor, Trimethylamine ((CH3)3N), 0-15 ppm, sensor/amp unit for GD-70D	495.00
ESU-23SD-H2SE	Sensor, Hydrogen Selenide (H2Se), 0-0.20 ppm, sensor/amp unit for GD-70D	495.00
ESU-K233-BR2	Sensor, Bromine (Br2), 0-1.0 ppm, sensor/amp unit for GD-70D	495.00
ESU-K233-CL2	Sensor, Chlorine (Cl2), 0-3.0 ppm, sensor/amp unit for GD-70D	495.00
ESU-K233-CL2-15	Sensor,Cl2 (chlorine),0-1.50 PPM,for GD-70D	495.00
ESU-K233-F2	Sensor, Fluorine (F2), 0-3.0 ppm, sensor/amp unit for GD-70D	495.00
ESU-K233-HF-09	Sensor, Hydrogen Fluoride (HF), 0-9.0 ppm, sensor/amp unit for GD-70D	495.00
ESU-K233-HNO3	Sensor, Nitric Acid (HNO3), 0-20.0 ppm, sensor/amp unit for GD-70D	495.00

Numerical Index

Part#	Description	Suggested Retail
ESU-K233CS-CLFA	Sensor, Chlorine Trifluoride (ClF3), 0-0.60 ppm, sensor/amp unit for GD-70D	495.00
ESU-K233CS-CLFC	Sensor, ClF3 (chlorine trifluoride), 0-0.60 PPM, for GD-70D, C type	495.00
ESU-K233S-HF-03	Sensor, HF (hydrogen fluoride), 3.00 PPM, for GD-70D	495.00
ESU-K235-F2	Sensor, F2 (fluorine), 0-1.00 PPM, for GD-70D	495.00
ESU-K239C-O3	Sensor, O3 (ozone), 0-1.00 PPM, for GD-70D	495.00
ESU-K239C-S-O3	Sensor, Ozone (O3), 0-0.60 ppm, sensor/amp unit for GD-70D	495.00
ESU-K239C-S-O31	Sensor, Ozone (O3), 0-1.00 ppm, sensor/amp unit for GD-70D	495.00
ESU-X23-OXY	Smart transmitter, GD-70D for Oxygen (O2), 0-25% with EC sensor	495.00
FP-300	Model FP-300 paper tape machine	5,300.00
FP-300-H2S	FP-300 paper tape machine, 0-100 ppb H2S, 115 VAC	5,300.00
FP-300-NH3	FP-300 paper tape machine, 0-4.00 ppm NH3, 115 VAC	5,300.00
FP-300A-ASH3	Model FP-300 paper tape machine for Arsine AsH3, 0 - 150 ppb	5,600.00
FP-300A-BF3	Model FP-300 paper tape machine for Boron Trifluoride, 0 - 3 ppm	5,600.00
FP-300A-HBR	Model FP-300 paper tape machine for Hydrogen Bromine HBr, 0 - 2 ppm	5,600.00
FP-300AGZS	Model FP-300 paper tape machine for C4F6/C5F8, 0 - 5.00 ppm	8,600.00
FP-301	Model FP-301 paper tape machine for high sensitivity	5,600.00
FP-301-ASH3	Model FP-300 paper tape machine for Arsine AsH3, 0 - 15 ppb	5,600.00
FP-330	Model FP-330 paper tape machine for formaldehyde	5,600.00
GD-70D-B2H6	Smart transmitter, GD-70D, B2H6 (diborane), 0-0.30 ppm	1,495.00
GD-70D-BR2	Smart transmitter, GD-70D, Br2, (bromine), 0-1.00 ppm	1,495.00
GD-70D-BRKT	Mounting bracket (back plate), complete w/connector, GD-70D	125.00
GD-70D-CH3NH2	Smart transmitter, GD-70D, CH3NH2, (methylamine), 0-15 ppm	1,495.00
GD-70D-CH4-20K	Smart transmitter, GD-70D, CH4 (methane) 0-2% vol	1,395.00
GD-70D-CL2	Smart transmitter, GD-70D, Cl2 (chlorine), 0-3.00 ppm	1,495.00
GD-70D-CLF3-A	Smart transmitter, GD-70D, ClF3, (chlorine trifluoride), 0-0.60 ppm, w/A type sensor	1,495.00
GD-70D-CLF3-C	Smart transmitter, GD-70D, ClF3, (chlorine trifluoride), 0-0.60 ppm, w/C type sensor	1,495.00
GD-70D-CO-01	Smart transmitter, GD-70D, CO (carbon monoxide), 0-150 ppm w/ESU-23 sensor	1,495.00
GD-70D-CO-02	Smart transmitter, GD-70D, CO (carbon monoxide), 0-75 ppm w/ESU-23 sensor	1,495.00
GD-70D-CO-03	Smart transmitter, GD-70D, CO (carbon monoxide), 0-300 ppm w/ESU-23 sensor	1,495.00
GD-70D-CO-11	Smart transmitter, GD-70D, CO (carbon monoxide), 0-150 ppm w/ESU-231 sensor	1,495.00
GD-70D-CO-12	Smart transmitter, GD-70D, CO (carbon monoxide), 0-75 ppm w/ESU-231 sensor	1,495.00
GD-70D-CO-13	Smart transmitter, GD-70D, CO (carbon monoxide), 0-300 ppm w/ESU-231 sensor	1,495.00
GD-70D-DEA	Smart transmitter, GD-70D, (C2H5)2NH, (diethylamine), 0-15 ppm	1,495.00
GD-70D-DMA	Smart transmitter, GD-70D, (CH3)2NH, (dimethylamine), 0-15 ppm	1,495.00
GD-70D-F2	Smart transmitter, GD-70D, F2 (fluorine), 0-3.00 ppm	1,495.00
GD-70D-F2-01	Smart transmitter, GD-70D, F2 (fluorine), 0-1.00 ppm	1,495.00
GD-70D-GEH4	Smart transmitter, GD-70D, GeH4 (germane), 0-0.80 ppm	1,495.00
GD-70D-H2-20K	Smart transmitter, GD-70D, H2 (hydrogen), 0-2.00 % volume	1,395.00
GD-70D-H2O2	Smart transmitter, GD-70D, H2O2 (hydrogen peroxide), 0-3.00 ppm	1,495.00
GD-70D-H2S-01	Smart transmitter, GD-70D, H2S (hydrogen sulfide), 0-1.00 ppm	1,495.00
GD-70D-H2S-30	Smart transmitter, GD-70D, H2S (hydrogen sulfide), 0-30 ppm	1,495.00
GD-70D-H2SE	Smart transmitter, GD-70D, H2Se (hydrogen selenide), 0-0.20 ppm	1,495.00
GD-70D-HBR-06	Smart transmitter, GD-70D, HBr (hydrogen bromide), 0-6 ppm	1,495.00
GD-70D-HBR-09	Smart transmitter, GD-70D, HBr (hydrogen bromide), 0-9 ppm	1,495.00
GD-70D-HCL-06E	Smart transmitter, GD-70D, HCl (hydrogen chloride), 0-6 ppm, w/ESU-23E	1,495.00
GD-70D-HCL-15E	Smart transmitter, GD-70D, HCl (hydrogen chloride), 0-15 ppm, w/ESU-23E	1,495.00
GD-70D-HCN	Smart transmitter, GD-70D, HCN (hydrogen cyanide), 0-15 ppm	1,495.00
GD-70D-HF-03	Smart transmitter, GD-70D, HF (hydrogen fluoride), 3 ppm	1,495.00
GD-70D-HF-09	Smart transmitter, GD-70D, HF (hydrogen fluoride), 9 ppm	1,495.00
GD-70D-HNO3	Smart transmitter, GD-70D, HNO3 (nitric acid), 0-20.0 ppm	1,495.00
GD-70D-LEL-CH4	Smart transmitter, GD-70D for Methane (CH4), 0-100% LEL	1,395.00
GD-70D-LEL-H2	Smart transmitter, GD-70D for Hydrogen (H2), 0-100% LEL	1,395.00
GD-70D-LEL-ISOB	Smart transmitter, GD-70D, C4H10 (isobutane), 0-100 %LEL	1,395.00
GD-70D-MC2H2-2K	Smart transmitter, GD-70D, MOS sensor, C2H2 (acetylene), 0-2,000 ppm	1,495.00
GD-70D-MC2H4-2K	Smart transmitter, GD-70D, MOS sensor, C2H4 (ethylene), 0-2,000 ppm	1,495.00
GD-70D-MC3H6-5K	Smart transmitter, GD-70D, MOS sensor, C3H6 (propylene) specific, 0-5,000 ppm	1,495.00
GD-70D-MC3H8-2K	Smart transmitter, GD-70D, MOS sensor, C3H8 (propane), 0-2,000 ppm	1,495.00
GD-70D-MC3H8-5K	Smart transmitter, GD-70D, MOS sensor, C3H8 (propane), 0-5,000 ppm	1,495.00
GD-70D-MCH3CN	Smart transmitter, GD-70D, MOS sensor, CH3CN (acetonitrile) 0-2,000 ppm	1,495.00
GD-70D-MCH3OH-1	Smart transmitter, GD-70D, MOS sensor, CH3OH (methanol) 0-1,000 ppm	1,495.00
GD-70D-MCH3OH-2	Smart transmitter, GD-70D, MOS sensor, CH3OH (methanol) 0-2,000 ppm	1,495.00

Numerical Index

Part#	Description	Suggested Retail
GD-70D-MCH4-20K	Smart transmitter,GD-70D,MOS sensor,CH4(methane) 0-2% vol.	1,495.00
GD-70D-MCH4-2K	Smart transmitter,GD-70D,MOS sensor,CH4(methane) 0-2,000 ppm	1,495.00
GD-70D-MCH4-5K	Smart transmitter,GD-70D,MOS sensor,CH4(methane) 0-5,000 ppm	1,495.00
GD-70D-MCOS	Smart transmitter,GD-70D,MOS sensor,COD(carbonyl sulfide) 0-2,000 ppm	1,495.00
GD-70D-MDCE	Smart transmitter,GD-70D,MOS sensor,DCE(dichloroethene) 0-600 ppm.	1,495.00
GD-70D-MDCM	Smart transmitter,GD-70D,MOS sensor,DCM(dichloromethane) 0-2000 ppm.	1,495.00
GD-70D-MH2-1K	Smart transmitter,GD-70D,MOS sensor,H2(hydrogen),0-1,000 ppm	1,495.00
GD-70D-MH2-20K	Smart transmitter,GD-70D,MOS sensor,H2(hydrogen),0-2.00%	1,495.00
GD-70D-MH2-500	Smart transmitter,GD-70D,MOS sensor,H2(hydrogen),0-500 ppm	1,495.00
GD-70D-MH2-S1K	Smart transmitter,GD-70D,MOS sensor,H2(hydrogen) specific,0-1,000 ppm	1,495.00
GD-70D-MH2-S2K	Smart transmitter,GD-70D,MOS sensor,H2(hydrogen) specific,0-2,000 ppm	1,495.00
GD-70D-MH2-S4K	Smart transmitter,GD-70D,MOS sensor,H2(hydrogen) specific,0-4,000 ppm	1,495.00
GD-70D-MH2-S500	Smart transmitter,GD-70D,MOS sensor,H2(hydrogen),specific,0-500 ppm.....	1,495.00
GD-70D-MIPA-2K	Smart transmitter,GD-70D,MOS sensor,IPA(isopropyl alcohol),0-2000 ppm	1,495.00
GD-70D-MR32	Smart transmitter,GD-70D,MOS sensor,R32(difluoromethane) 0-2,000 ppm	1,495.00
GD-70D-MR41	Smart transmitter,GD-70D,MOS sensor,R41 (fluoromethane) 0-2,000 ppm.....	1,495.00
GD-70D-NH3	Smart transmitter,GD-70D,NH3(ammonia),0-75 ppm	1,495.00
GD-70D-NO	Smart transmitter,GD-70D,NO(nitric oxide),0-100 ppm	1,495.00
GD-70D-NO2-09	Smart transmitter,GD-70D,NO2(nitrogen dioxide),0-9.0 ppm	1,495.00
GD-70D-NO2-15	Smart transmitter,GD-70D,NO2(nitrogen dioxide),0-15 ppm	1,495.00
GD-70D-NS	Smart transmitter, GD-70D toxic gas monitor with no sensor	1,000.00
GD-70D-O3	Smart transmitter,GD-70D,O3(ozone),0-0.6 ppm	1,495.00
GD-70D-O3-10	Smart transmitter,GD-70D,O3(ozone),0-1.00 ppm	1,495.00
GD-70D-OXY-EC	Smart transmitter, GD-70D for Oxygen (O2), 0-25%	1,495.00
GD-70D-PH3-AH	Smart transmitter,GD-70D,PH3(phosphine),0-1.00 ppm,AH sensor.	1,495.00
GD-70D-PH3-DH	Smart transmitter,GD-70D,PH3(phosphine),0-1.00 ppm,DH sensor.	1,495.00
GD-70D-Si2H6	Smart transmitter,GD-70D,Si2H6(disilane),0-15 ppm	1,495.00
GD-70D-SiH4-AH	Smart transmitter,GD-70D,SiH4(silane),0-15 ppm, AH sensor	1,495.00
GD-70D-SiH4-DH	Smart transmitter,GD-70D,SiH4(silane),0-15 ppm, DH sensor	1,495.00
GD-70D-SO2	Smart transmitter,GD-70D,SO2(sulphur dioxide),0-6.00 ppm	1,495.00
GD-70D-TMA	Smart transmitter,GD-70D,(CH3)3N(trimethylamine),0-15 ppm	1,495.00
GD-70D4A-ASH3	GD-70DS-AsH3,0-0.20 PPM arsine,in NEMA 4X housing,115/220VAC.....	2,095.00
GD-70D4A-B2H6	GD-70D-B2H6,0-0.30 PPM diborane,in NEMA 4X housing,115/220VAC.....	2,095.00
GD-70D4A-BR2	GD-70D-BR2,0-1.00 PPM bromine,in NEMA 4X housing,115/220VAC.....	2,095.00
GD-70D4A-CH3NH2	GD-70D-CH3NH2,0-15.0 PPM methylamine,in NEMA 4X housing,115/220VAC.....	2,095.00
GD-70D4A-CL2	GD-70D-Cl2,0-3.00 PPM chlorine,in NEMA 4X housing,115/220VAC.	2,095.00
GD-70D4A-CLF3-A	GD-70D-CIF3-A,0-0.60 PPM chlorine trifluoride,in NEMA 4X housing,115/220VAC.	2,095.00
GD-70D4A-CLF3-C	GD-70D-CIF3-C,0-0.60 PPM chlorine trifluoride,in NEMA 4X housing,115/220VAC.	2,095.00
GD-70D4A-CO-01	GD-70D-CO-01,0-150 PPM carbon monoxide,in NEMA 4X housing,115/220VAC.	2,095.00
GD-70D4A-CO-02	GD-70D-CO-02,0-75 PPM carbon monoxide,in NEMA 4X housing,115/220VAC.	2,095.00
GD-70D4A-CO-03	GD-70D-CO-03,0-300 PPM carbon monoxide,in NEMA 4X housing,115/220VAC.	2,095.00
GD-70D4A-CO-11	GD-70D-CO-11,0-150 PPM carbon monoxide,in NEMA 4X housing,115/220VAC.	2,095.00
GD-70D4A-CO-12	GD-70D-CO-12,0-75 PPM carbon monoxide,in NEMA 4X housing,115/220VAC.	2,095.00
GD-70D4A-CO-13	GD-70D-CO-13,0-300 PPM carbon monoxide,in NEMA 4X housing,115/220VAC.	2,095.00
GD-70D4A-DEA	GD-70D-DEA,0-15.0 PPM diethylamine,in NEMA 4X housing,115/220VAC.	2,095.00
GD-70D4A-DMA	GD-70D-DMA,0-15.0 PPM dimethylamine,in NEMA 4X housing,115/220VAC.	2,095.00
GD-70D4A-F2	GD-70D-F2,0-3.00 PPM fluorine,in NEMA 4X housing,115/220VAC.	2,095.00
GD-70D4A-GEH4	GD-70D-GEH4,0-0.80 PPM germane,in NEMA 4X housing,115/220VAC.....	2,095.00
GD-70D4A-H2SE	GD-70D-H2SE,0-0.20 PPM hydrogen selenide,in NEMA 4X housing,115/220VAC.	2,095.00
GD-70D4A-HBR-06	GD-70D-HBR-06,0-6.00 PPM hydrogen bromide,in NEMA 4X housing,115/220VAC.	2,095.00
GD-70D4A-HBR-09	GD-70D-HBR-09,0-9.00 PPM hydrogen bromide,in NEMA 4X housing,115/220VAC.	2,095.00
GD-70D4A-HCL-06	GD-70D-HCL-06,0-6.00 PPM hydrogen chloride,in NEMA 4X housing,115/220VAC.	2,095.00
GD-70D4A-HCL-15	GD-70D-HCL-15,0-15.0 PPM hydrogen chloride,in NEMA 4X housing,115/220VAC.	2,095.00
GD-70D4A-HF-03	GD-70D-HF-03,0-3.00 PPM hydrogen fluoride,in NEMA 4X housing,115/220VAC.	2,095.00
GD-70D4A-HF-09	GD-70D-HF-09,0-9.00 PPM hydrogen fluoride,in NEMA 4X housing,115/220VAC.	2,095.00
GD-70D4A-LCH4	GD-70D-LEL-CH4 ,0-100% LEL methane in NEMA 4X housing,115/220 VAC.	1,995.00
GD-70D4A-LH2	GD-70D-H2-LEL ,0-100 %LEL hydrogen in NEMA 4X housing,115/220 VAC.	1,995.00
GD-70D4A-LH220K	GD-70D-H2-20K ,0-2.00% Vol hydrogen in NEMA 4X housing,115/220 VAC.	1,995.00
GD-70D4A-LISOB	GD-70D-LEL-ISOB ,0-100% LEL isobutane in NEMA 4X housing,115/220 VAC.	1,995.00
GD-70D4A-MCH4-2	GD-70D-MCH4-2K ,0-2000 PPM methane, in NEMA 4X housing,115/220 VAC.	2,095.00
GD-70D4A-MCH4-5	GD-70D-MCH4-5K ,0-5000 PPM methane, in NEMA 4X housing,115/220 VAC.	2,095.00

Numerical Index

Part#	Description	Suggested Retail
GD-70D4A-MCH420	GD-70D-MCH4-20K ,0-2% vol methane, in NEMA 4X housing,115/220 VAC.	2,095.00
GD-70D4A-MC05	GD-70D-MC05 ,0-2000 PPM carbonyl sulfide, in NEMA 4X housing,115/220 VAC.....	2,095.00
GD-70D4A-MDCE	GD-70D-MDCE ,0-600 PPM dichloroethene, in NEMA 4X housing,115/220 VAC.	2,095.00
GD-70D4A-MDCM	GD-70D-MDCM ,0-2000 PPM dichloromethane, in NEMA 4X housing,115/220 VAC.	2,095.00
GD-70D4A-MH2-1K	GD-70D-MH2-1K ,0-1000 PPM hydrogen in NEMA 4X housing,115/220 VAC.....	2,095.00
GD-70D4A-MH2-20	GD-70D-MH2-20K ,0-2.00% Vol hydrogen in NEMA 4X housing,115/220 VAC.	2,095.00
GD-70D4A-MH21KS	GD-70D-MH2-S1K ,0-1000 PPM hydrogen,specific, in NEMA 4X housing,115/220 VAC.....	2,095.00
GD-70D4A-MH22KS	GD-70D-MH2-S2K ,0-2000 PPM hydrogen,specific, in NEMA 4X housing,115/220 VAC.....	2,095.00
GD-70D4A-MH2500	GD-70D-MH2-500 ,0-500 PPM hydrogen in NEMA 4X housing,115/220 VAC.....	2,095.00
GD-70D4A-MH250S	GD-70D-MH2-S500 ,0-500 PPM hydrogen,specific, in NEMA 4X housing,115/220 VAC.....	2,095.00
GD-70D4A-MIPA	GD-70D-MIPA-2K ,0-2000 PPM isopropyl alcohol, in NEMA 4X housing,115/220 VAC.	2,095.00
GD-70D4A-MMA-1	GD-70D-MCH3OH-1,0-1000 PPM methanol,in NEMA 4X housing,115/220VAC.....	2,095.00
GD-70D4A-MMA-2	GD-70D-MCH3OH-2,0-2000 PPM methanol,in NEMA 4X housing,115/220VAC.....	2,095.00
GD-70D4A-MPRO2K	GD-70D-MC3H8-2K ,0-2000 PPM propane, in NEMA 4X housing,115/220 VAC.	2,095.00
GD-70D4A-MPRO5K	GD-70D-MC3H8-5K ,0-5000 PPM propane, in NEMA 4X housing,115/220 VAC.	2,095.00
GD-70D4A-MR32	GD-70D-MR32 ,0-2000 PPM R32, in NEMA 4X housing,115/220 VAC.	2,095.00
GD-70D4A-MR41	GD-70D-MR41 ,0-2000 PPM R41, in NEMA 4X housing,115/220 VAC.	2,095.00
GD-70D4A-NH3	GD-70D-NH3,0-75.0 PPM ammonia,in NEMA 4X housing,115/220VAC.	2,095.00
GD-70D4A-NO	GD-70D-NO,0-100 PPM nitric oxide,in NEMA 4X housing,115/220VAC.	2,095.00
GD-70D4A-NO2-09	GD-70D-NO2-09,0-9.00 PPM nitogen dioxide,in NEMA 4X housing,115/220VAC.	2,095.00
GD-70D4A-NO2-15	GD-70D-NO2-15,0-15.0 PPM nitogen dioxide,in NEMA 4X housing,115/220VAC.	2,095.00
GD-70D4A-O3	GD-70D-O3,0 - 0.60 ppm ozone,in NEMA 4X housing,115/220 VAC	2,095.00
GD-70D4A-OXY-EC	GD-70D-OXY, 0-25% Vol oxygen in NEMA 4X housing, 115/220 VAC, with EC sensor	2,095.00
GD-70D4A-PH3-AH	GD-70D-PH3-AH,0-1.00 PPM phosphine,in NEMA 4X housing,115/220VAC.	2,095.00
GD-70D4A-PH3-DH	GD-70D-PH3-DH,0-1.00 PPM phosphine,in NEMA 4X housing,115/220VAC.	2,095.00
GD-70D4A-SI2H6	GD-70D-SI2H6,0-15.0 PPM disilane,in NEMA 4X housing,115/220VAC.	2,095.00
GD-70D4A-SIH4-A	GD-70D-SIH4-AH,0-15.00 PPM silane,in NEMA 4X housing,115/220VAC.	2,095.00
GD-70D4A-SIH4-D	GD-70D-SIH4-DH,0-15.00 PPM silane,in NEMA 4X housing,115/220VAC.	2,095.00
GD-70D4A-SO2	GD-70D-SO2,0-6.00 PPM sulphur dioxide,in NEMA 4X housing,115/220VAC.	2,095.00
GD-70D4A-TMA	GD-70D-TMA,0-15.0 PPM trimethylamine,in NEMA 4X housing,115/220VAC.	2,095.00
GD-70D4H-HF-09	GD-70D-HF,0-9.00 PPM hydrogen fluoride,in NEMA 4X housing,w/ horn/strobe,115/220VAC.....	2,350.00
GD-70D4H-OXY	GD-70D,0-25% oxygen,in NEMA 4X housing,w/ horn/strobe,115/220VAC.	2,250.00
GD-70D4S-ASH3	GD-70DS-AsH3,0-0.20 PPM arsine,in NEMA 4X housing,W/strobe115/220VAC.....	2,305.00
GD-70D4S-B2H6	GD-70D-B2H6,0-0.30 PPM diborane,in NEMA 4X housing,w/strobe,115/220VAC.	2,305.00
GD-70D4S-BR2	GD-70D-Br2,0-1.00 PPM bromine,in NEMA 4X housing,w/ strobe,115/220VAC.....	2,305.00
GD-70D4S-CH3NH2	GD-70D-CH3NH2,0-15.00 PPM methylamine,in NEMA 4X housing,w/ strobe,115/220VAC.	2,305.00
GD-70D4S-CL2	GD-70D-Cl2,0-3.00 PPM chlorine,in NEMA 4X housing,w strobe,115/220VAC.	2,305.00
GD-70D4S-CLF3-A	GD-70D-CIF3-A,0-0.60 PPM chlorine trifluoride,w/ strobe,in NEMA 4X housing,115/220VAC.	2,305.00
GD-70D4S-CLF3-C	GD-70D-CIF3-C,0- 0.60 PPM chlorine trifluoride,in NEMA 4X housing,w/ strobe,115/220VAC.	2,305.00
GD-70D4S-CO-01	GD-70D-CO-01,0-150 PPM carbon monoxide,in NEMA 4X housing,w/ strobe,115/220VAC.....	2,305.00
GD-70D4S-CO-02	GD-70D-CO-02,0-75 PPM carbon monoxide,in NEMA 4X housing,w/ strobe,115/220VAC.	2,305.00
GD-70D4S-CO-03	GD-70D-CO-03,0-300 PPM carbon monoxide,in NEMA 4X housing,w/ strobe,115/220VAC.	2,305.00
GD-70D4S-CO-11	GD-70D-CO-11,0-150 PPM carbon monoxide,in NEMA 4X housing,w/ strobe,115/220VAC.	2,305.00
GD-70D4S-CO-12	GD-70D-CO-12,0-75 PPM carbon monoxide,in NEMA 4X housing,w/ strobe,115/220VAC.	2,305.00
GD-70D4S-CO-13	GD-70D-CO-13,0-300 PPM carbon monoxide,in NEMA 4X housing,w/ strobe,115/220VAC.	2,305.00
GD-70D4S-DEA	GD-70D-DEA,0-15.00 PPM diethylamine,in NEMA 4X housing,w/ strobe,115/220VAC.	2,305.00
GD-70D4S-DMA	GD-70D-DMA,0-15.00 PPM dimethylamine,in NEMA 4X housing,w/ strobe,115/220VAC.....	2,305.00
GD-70D4S-F2	GD-70D-F2,0-3.00 PPM fluorine,in NEMA 4X housing,w/ strobe,115/220VAC.	2,305.00
GD-70D4S-GEH4	GD-70D-GeH4,0-0.80 PPM germane,in NEMA 4X housing,w/ strobe,115/220VAC.	2,305.00
GD-70D4S-H2SE	GD-70D-H2Se,0-0.20 PPM hydrogen selenide,in NEMA 4X housing,w/ strobe,115/220VAC.....	2,305.00
GD-70D4S-HBR-06	GD-70D-HBr-06,0-6.00 PPM hydrogen bromide,in NEMA 4X housing,w/ strobe,115/220VAC.	2,305.00
GD-70D4S-HBR-09	GD-70D-HBR-09,0-9.00 PPM hydrogen bromide,in NEMA 4X housing,w/ strobe,115/220VAC.....	2,305.00
GD-70D4S-HCL-06	GD-70D-HCl-06,0-6.00 PPM hydrogen chloride,in NEMA 4X housing,w/ strobe,115/220VAC.	2,305.00
GD-70D4S-HCL-15	GD-70D-HCl-15,0-15.00 PPM hydrogen chloride,in NEMA 4X housing,w/ strobe,115/220VAC.....	2,305.00
GD-70D4S-HF-03	GD-70D-HF-03,0-3.00 PPM hydrogen fluoride,in NEMA 4X housing w/strobe,115/220VAC.	2,305.00
GD-70D4S-HF-09	GD-70D-HF,0-9.00 PPM hydrogen fluoride,in NEMA 4X housing,w/ strobe,115/220VAC.	2,305.00
GD-70D4S-LCH4	GD-70D-LEL-CH4 ,0-100% LEL methane in NEMA 4X housing w/strobe,115/220 VAC.	2,205.00
GD-70D4S-LH220K	GD-70D-H2-20K ,0-2.00% vol hydrogen in NEMA 4X housing w/strobe,115/220 VAC.	2,205.00
GD-70D4S-LISOB	GD-70D-LEL-ISOB ,0-100% LEL isobutane in NEMA 4X housing w/strobe,115/220 VAC.	2,205.00
GD-70D4S-MCH4-2	GD-70D-MCH4-2K ,0-2000 PPM methane,in NEMA 4X housing w/strobe,115/220 VAC.	2,305.00
GD-70D4S-MCH4-5	GD-70D-MCH4-5K ,0-5000 PPM methane,in NEMA 4X housing w/strobe,115/220 VAC.	2,305.00

Numerical Index

Part#	Description	Suggested Retail
GD-70D4S-MCH420	GD-70D-MCH4-20K ,0-2% vol methane,in NEMA 4X housing w/strobe,115/220 VAC.	2,305.00
GD-70D4S-MCOS	GD-70D-MCOS ,0-2000 PPM carbonyl sulfide,in NEMA 4X housing w/strobe,115/220 VAC.	2,305.00
GD-70D4S-MDCE	GD-70D-MDCE ,0-600 PPM dichloroethene,in NEMA 4X housing w/strobe,115/220 VAC.....	2,305.00
GD-70D4S-MDCM	GD-70D-MDCM ,0-2000 PPM dichloromethane,in NEMA 4X housing w/strobe,115/220 VAC.	2,305.00
GD-70D4S-MH2-1K	GD-70D-MH2-1K ,0-1000 PPM hydrogen in NEMA 4X housing w/strobe,115/220 VAC.....	2,305.00
GD-70D4S-MH2-20	GD-70D-MH2-20K ,0-2.00% Vol hydrogen in NEMA 4X housing w/strobe,115/220 VAC.	2,305.00
GD-70D4S-MH21KS	GD-70D-MH2-S1K ,0-1000 PPM hydrogen,specific,in NEMA 4X housing w/strobe,115/220 VAC.	2,305.00
GD-70D4S-MH22KS	GD-70D-MH2-S2K ,0-2000 PPM hydrogen,specific,in NEMA 4X housing w/strobe,115/220 VAC.	2,305.00
GD-70D4S-MH2500	GD-70D-MH2-500 ,0-500 PPM hydrogen in NEMA 4X housing w/strobe,115/220 VAC.....	2,305.00
GD-70D4S-MH250S	GD-70D-MH2-S500 ,0-500 PPM hydrogen,specific, in NEMA 4X housing w/strobe,115/220 VAC.....	2,305.00
GD-70D4S-MIPA	GD-70D-MIPA-2K ,0-2000 PPM isopropyl alcohol,in NEMA 4X housing w/strobe,115/220 VAC.	2,305.00
GD-70D4S-MMA-1	GD-70D-MCH3OH-1,0-1000 PPM methanol,in NEMA 4X housing,w/ strobe,115/220VAC.	2,305.00
GD-70D4S-MMA-2	GD-70D-MCH3OH-2,0-2000 PPM methanol,in NEMA 4X housing,w/ strobe,115/220VAC.	2,305.00
GD-70D4S-MPRO2K	GD-70D-MC3H8-2K ,0-2000 PPM propane,in NEMA 4X housing w/strobe,115/220 VAC.	2,305.00
GD-70D4S-MPRO5K	GD-70D-MC3H8-5K ,0-5000 PPM propane,in NEMA 4X housing w/strobe,115/220 VAC.	2,305.00
GD-70D-MR32	GD-70D-MR32 ,0-2000 PPM R32,in NEMA 4X housing w/strobe,115/220 VAC.	2,305.00
GD-70D4S-MR41	GD-70D-MR41 ,0-2000 PPM R41,in NEMA 4X housing w/strobe,115/220 VAC.	2,305.00
GD-70D4S-NH3	GD-70D-NH3,0-75 PPM ammonia,in NEMA 4X housing,w/ strobe,115/220VAC.	2,305.00
GD-70D4S-NO	GD-70D-NO,0-100 PPM nitric oxide,in NEMA 4X housing,w/ strobe,115/220VAC.	2,305.00
GD-70D4S-NO2-09	GD-70D-NO2-09,0-9.0 PPM nitrogen dioxide,in NEMA 4X housing,w/ strobe,115/220VAC.	2,305.00
GD-70D4S-NO2-15	GD-70D-NO2-15,0-15.0 PPM nitrogen dioxide,in NEMA 4X housing,w/ strobe,115/220VAC.	2,305.00
GD-70D4S-O3	GD-70D-O3,0 - 0.60 ppm ozone,in NEMA 4X housing w/amber strobe,115/220 VAC	2,305.00
GD-70D4S-OXY-EC	GD-70D-OXY ,0-25% Vol oxygen in NEMA 4X housing with strobe, 115/220 VAC. with EC sensor	2,205.00
GD-70D4S-PH3-AH	GD-70D-PH3-AH,0-1.00 PPM phosphine,in NEMA 4X housing,w/ strobe,115/220VAC.	2,305.00
GD-70D4S-PH3-DH	GD-70D-PH3-DH,0-1.00 PPM phosphine,in NEMA 4X housing,w/ strobe,115/220VAC.	2,305.00
GD-70D4S-Si2H6	GD-70D-Si2H6,0-15.00 PPM disilane,in NEMA 4X housing,w/ strobe,115/220VAC.	2,305.00
GD-70D4S-SiH4-A	GD-70D-SiH4-AH,0-15.00 PPM silane,in NEMA 4X housing,w/ strobe,115/220VAC.	2,305.00
GD-70D4S-SiH4-D	GD-70D-SiH4-DH,0-15.00 PPM silane,in NEMA 4X housing,w/ strobe,115/220VAC.	2,305.00
GD-70D4S-SO2	GD-70D-SO2,0-6.00 PPM sulphur dioxide,in NEMA 4X housing,w/ strobe,115/220VAC.	2,305.00
GD-70D4S-TMA	GD-70D-TMA,0-15.00 PPM trimethylamine,in NEMA 4X housing,w/ strobe,115/220VAC.	2,305.00
GD-70D4X-ASH3	Smart transmitter,GD-70D,AsH3,0-15 ppm,in NEMA 4X housing	1,895.00
GD-70D4X-B2H6	Smart transmitter,GD-70D,B2H6,0-.30 ppm,in NEMA 4X housing	1,895.00
GD-70D4X-BR2	Smart transmitter,GD-70D,Br2,0-1.00 ppm,in NEMA 4X housing.....	1,895.00
GD-70D4X-CH3NH2	Smart transmitter,GD-70D,CH3NH2,0-15.0 ppm,in NEMA 4X housing	1,895.00
GD-70D4X-CL2	Smart transmitter,GD-70D,CL2,0-3.00 ppm,in NEMA 4X housing	1,895.00
GD-70D4X-CLF3-A	Smart transmitter,GD-70D,CLF3,0-0.60 ppm,in NEMA 4X housing	1,895.00
GD-70D4X-CLF3-C	Smart transmitter,GD-70D,CLF3,0-0.60 ppm,in NEMA 4X housing	1,895.00
GD-70D4X-CO-01	Smart transmitter,GD-70D,CO,0-150 ppm,in NEMA 4X housing	1,895.00
GD-70D4X-CO-02	Smart transmitter,GD-70D,CO,0-75 ppm,in NEMA 4X housing	1,895.00
GD-70D4X-CO-03	Smart transmitter,GD-70D,CO,0-300 ppm,in NEMA 4X housing	1,895.00
GD-70D4X-CO-11	Smart transmitter,GD-70D,CO,0-150 ppm,in NEMA 4X housing	1,895.00
GD-70D4X-CO-12	Smart transmitter,GD-70D,CO,0-75 ppm,in NEMA 4X housing	1,895.00
GD-70D4X-CO-13	Smart transmitter,GD-70D,CO,0-300 ppm,in NEMA 4X housing	1,895.00
GD-70D4X-DEA	Smart transmitter,GD-70D,(C2H5)2NH,0-15.0 ppm,in NEMA 4X housing	1,895.00
GD-70D4X-DMA	Smart transmitter,GD-70D,(CH3)2NH,0-15.0 ppm,in NEMA 4X housing	1,895.00
GD-70D4X-F2	Smart transmitter,GD-70D,F2,0-3.00 ppm,in NEMA 4X housing	1,895.00
GD-70D4X-GEH4	Smart transmitter,GD-70D,GeH4,0-0.80 ppm,in NEMA 4X housing.....	1,895.00
GD-70D4X-H2S-01	Smart transmitter,GD-70D,H2S,0-1.00 ppm,in NEMA 4X housing	1,895.00
GD-70D4X-H2S-30	Smart transmitter,GD-70D,H2S,0-30 ppm,in NEMA 4X housing	1,895.00
GD-70D4X-H2SE	Smart transmitter,GD-70D,CH2Se,0-6.0 ppm,in NEMA 4X housing	1,895.00
GD-70D4X-HBR-06	Smart transmitter,GD-70D,HBr,0-6.0 ppm,in NEMA 4X housing	1,895.00
GD-70D4X-HBR-09	Smart transmitter,GD-70D,HBr,0-9.0 ppm,in NEMA 4X housing	1,895.00
GD-70D4X-HCL-06	Smart transmitter,GD-70D,HCl,0-6.0 ppm,in NEMA 4X housing	1,895.00
GD-70D4X-HCL-15	Smart transmitter,GD-70D,HCL,0-15.0 ppm,in NEMA 4X housing	1,895.00
GD-70D4X-HF-03	Smart transmitter,GD-70D,HF,0-3.00 ppm,in NEMA 4X housing	1,895.00
GD-70D4X-HF-09	Smart transmitter,GD-70D,HF,0-9.0 ppm,in NEMA 4X housing	1,895.00
GD-70D4X-LCH4	Smart transmitter,GD-70D,CH4,0-100 %LEL,in NEMA 4X housing	1,795.00
GD-70D4X-LH2	Smart transmitter,GD-70D,H2,0-100 %LEL,in NEMA 4X housing	1,795.00
GD-70D4X-LH220K	Smart transmitter,GD-70D,H2,0-2.00 %volume,in NEMA 4X housing	1,795.00
GD-70D4X-LISOB	Smart transmitter,GD-70D,isobutane,0-100% LEL,in NEMA 4X housing	1,795.00
GD-70D4X-MCH4-2	Smart transmitter,GD-70D,CH4,0-2000 ppm,in NEMA 4X housing	1,895.00

Numerical Index

Part#	Description	Suggested Retail
GD-70D4X-MCH4-5	Smart transmitter,GD-70D,CH4,0-5000 ppm,in NEMA 4X housing	1,895.00
GD-70D4X-MCH420	Smart transmitter,GD-70D,CH4,0-2% vol,in NEMA 4X housing	1,895.00
GD-70D4X-MCOS	Smart transmitter,GD-70D,carbonyl sulfide,0-2000 ppm,in NEMA 4X housing	1,895.00
GD-70D4X-MDCE	Smart transmitter,GD-70D,dichloroethene,0-600 ppm,in NEMA 4X housing	1,895.00
GD-70D4X-MDCM	Smart transmitter,GD-70D,dichloromethane,0-2000 ppm,in NEMA 4X housing	1,895.00
GD-70D4X-MH2-1K	Smart transmitter,GD-70D,H2,0-1000 PPM,in NEMA 4X housing.....	1,895.00
GD-70D4X-MH2-20	Smart transmitter,GD-70D,H2,0-2.00%,in NEMA 4X housing	1,895.00
GD-70D4X-MH21KS	Smart transmitter,GD-70D,H2,specific,0-1000 PPM,in NEMA 4X housing	1,895.00
GD-70D4X-MH22KS	Smart transmitter,GD-70D,H2,specific,0-2000 PPM,in NEMA 4X housing	1,895.00
GD-70D4X-MH2500	Smart transmitter,GD-70D,H2,0-500 PPM,in NEMA 4X housing	1,895.00
GD-70D4X-MH250S	Smart transmitter,GD-70D,H2,specific,0-500 PPM,in NEMA 4X housing	1,895.00
GD-70D4X-MIPA	Smart transmitter,GD-70D,IPA,0-2000 ppm,in NEMA 4X housing	1,895.00
GD-70D4X-MMA-1	Smart transmitter,GD-70D,CH3OH,0-1000 ppm,in NEMA 4X housing	1,895.00
GD-70D4X-MMA-2	Smart transmitter,GD-70D,CH3OH,0-2000 ppm,in NEMA 4X housing	1,895.00
GD-70D4X-MPRO2K	Smart transmitter,GD-70D,C3H8,0-2000 PPM,in NEMA 4X housing	1,895.00
GD-70D4X-MPRO5K	Smart transmitter,GD-70D,C3H8,0-5000 PPM,in NEMA 4X housing	1,895.00
GD-70D4X-MR32	Smart transmitter,GD-70D,R32,0-2000 ppm,in NEMA 4X housing	1,895.00
GD-70D4X-MR41	Smart transmitter,GD-70D,R41,0-2000 ppm,in NEMA 4X housing	1,895.00
GD-70D4X-NH3	Smart transmitter,GD-70D,NH3,0-75 ppm,in NEMA 4X housing	1,895.00
GD-70D4X-NO	Smart transmitter,GD-70D,NO,0-100 ppm,in NEMA 4X housing	1,895.00
GD-70D4X-NO2-09	Smart transmitter,GD-70D,NO2,0-9.0 ppm,in NEMA 4X housing.....	1,895.00
GD-70D4X-NO2-15	Smart transmitter,GD-70D,NO2,0-15 ppm,in NEMA 4X housing	1,895.00
GD-70D4X-NS	Smart transmitter,GD-70D,in NEMA 4X housing,w/out sensor	1,400.00
GD-70D4X-NST	Smart transmitter,GD-70D,in NEMA 4X housing,w/out sensor/transmitter	400.00
GD-70D4X-O3	Smart transmitter,GD-70D,O3,0-0.60 ppm,in NEMA 4X housing	1,895.00
GD-70D4X-OXY-EC	Smart transmitter, GD-70D, O2, 0-25% volume, in NEMA 4X housing, with EC sensor	1,895.00
GD-70D4X-PH3-AH	Smart transmitter,GD-70D,PH3,0-1.00 ppm,in NEMA 4X housing	1,895.00
GD-70D4X-PH3-DH	Smart transmitter,GD-70D,PH3,0-1.00 ppm,in NEMA 4X housing	1,895.00
GD-70D4X-Si2H6	Smart transmitter,GD-70D,Si2H6,0-15 ppm,in NEMA 4X housing	1,895.00
GD-70D4X-SiH4-A	Smart transmitter,GD-70D,SiH4,0-15 ppm,in NEMA 4X housing	1,895.00
GD-70D4X-SiH4-D	Smart transmitter,GD-70D,SiH4,0-15 ppm,in NEMA 4X housing	1,895.00
GD-70D4X-SO2	Smart transmitter,GD-70D,SO2,0-6.00 ppm,in NEMA 4X housing	1,895.00
GD-70D4X-TMA	Smart transmitter,GD-70D,(CH3)3N,0-15 ppm,in NEMA 4X housing	1,895.00
GD-70DEA-LEL-H2	Smart transmitter,GD-70D,H2,0-100% LEL,w/ethernet & 4-20 mA outputs	1,650.00
GD-70DEA-MC4F6A	Smart transmitter,GD-70D,MOS sensor,hexafluorabutadiene,0-200 ppn,w/ethernet & 4-20 mA out ...	1,750.00
GD-70DEA-NS	Smart transmitter,GD-70D w/o sensor/amp unit,w/ethernet & mA outputs,with cable gland	1,250.00
GD-70DEA-O3	Smart transmitter,GD-70D,O3(ozone),0-0.6 ppm,w/ethernet & 4-20 mA outputs	1,750.00
GD-70DEA-OXY	Smart transmitter, GD-70D, O2 0-25% volume, with ethernet & 4-20 mA outputs, with EC sensor	1,750.00
GD-70DLN-B2H6	Smart transmitter,GD-70D,B2H6 (diborane),0-0.30 ppm,Lonworks type	1,750.00
GD-70DLN-BCL315	Smart transmitter,GD-70D,BCl3 (boron trichloride),0-15.0 ppm,Lonworks type	1,750.00
GD-70DLN-CH4-20	Smart transmitter,GD-70D,CH4(methane) 0-2% volume,Lonworks type	1,650.00
GD-70DLN-CL2	Smart transmitter,GD-70D,Cl2(Chlorine),0-3.00 ppm,Lonworks type	1,750.00
GD-70DLN-CLF3-A	Smart transmitter,GD-70D,ClF3, (chlorine trifluoride),0-0.60 ppm, w/A type sensor,Lonworks	1,750.00
GD-70DLN-CLF3-C	Smart transmitter,GD-70D,ClF3, (chlorine trifluoride),0-0.60 ppm, w/C type sensor,Lonworks	1,750.00
GD-70DLN-CO-01	Smart transmitter,GD-70D,CO (carbon monoxide),0-150 ppm w/ESU-23 sensor,Lonworks type	1,750.00
GD-70DLN-HCL06E	Smart transmitter,GD-70D,HCl(hydrogen chloride),0-6 ppm,Lonworks type	1,750.00
GD-70DLN-HCL15E	Smart transmitter,GD-70D,HCl(hydrogen chloride),0-15 ppm,Lonworks type	1,750.00
GD-70DLN-HF-09	Smart transmitter,GD-70D,HF,(hydrogen fluoride),0-9 ppm,Lonworks type	1,750.00
GD-70DLN-LEL-CH4	Smart transmitter, GD-70D for Methane (CH4), 0-100% LEL with LonWorks	1,650.00
GD-70DLN-LEL-H2	Smart transmitter, GD-70D for Hydrogen (H2), 0-100% LEL with LonWorks	1,650.00
GD-70DLN-MC2H42	Smart transmitter,GD-70D,MOS sensor,C2H4(ethylene),0-2,000 ppm,Lonworks type	1,750.00
GD-70DLN-MCH420	Smart transmitter,GD-70D,MOS sensor,CH4(methane) 0-2% volume,Lonworks type	1,750.00
GD-70DLN-MH2-S4	Smart transmitter,GD-70D,H2(hydrogen) specific,0-4000 ppm,Lonworks type	1,750.00
GD-70DLN-MOS	Smart transmitter, GD-70D with MOS sensor, (specify gas & range), with LonWorks	1,750.00
GD-70DLN-MR329K	Smart transmitter,GD-70D,CH2F2(difluoromethane),0-9000 ppm,Lonworks type.....	1,750.00
GD-70DLN-NH3	Smart transmitter,GD-70D,NH3(ammonia),0-75 ppm,Lonworks type	1,750.00
GD-70DLN-NS	Smart transmitter,GD-70D w/o sensor/amp unit, with cable gland,Lonworks	1,255.00
GD-70DLN-O3	Smart transmitter,GD-70D,O3(ozone),0-0.6 ppm,Lonworks type	1,750.00
GD-70DLN-O3-10	Smart transmitter,GD-70D,O3(ozone),0-1.00 ppm,Lonworks type	1,750.00
GD-70DLN-OXY-EC	Smart transmitter, GD-70D for Oxygen (O2) 0-25%, with LonWorks	1,750.00
GD-70DLN-PH3-DH	Smart transmitter,GD-70D,PH3(phosphine),0-1.00 ppm,DH sensor,Lonworks type	1,750.00

Numerical Index

Part#	Description	Suggested Retail
GD-70DLN-SIH4-A	Smart transmitter,GD-70D,SiH4(silane),0-15 ppm, AH sensor,Lonworks type.....	1,750.00
GD-70DLN-SIH4-D	Smart transmitter,GD-70D,SiH4(silane),0-15 ppm, DH sensor,Lonworks type	1,750.00
GD-70DLN-SO2	Smart transmitter,GD-70D,SO2(Sulfur Dioxide),0-6.00 ppm,Lonworks type	1,750.00
GD-70DP-NF3	Smart transmitter, GD-70D for Nitrogen Trifluoride (NF3), 0-30 ppm, includes pyrolyzer	2,245.00
GD-70DP-TEOS	Smart transmitter, GD-70D for TEOS, 0-15 ppm, includes pyrolyzer	2,245.00
GD-70DP-TMB	Smart transmitter w/pyrolyzer,GD-70D,TMB(trimethoxy borane) 0-1000 ppm.	2,245.00
GD-70DPLN-3MS	Smart transmitter,GD-70D,3MS(trimethyl silane),0-15 ppm,Lonworks type	2,500.00
GD-70DPLN-NF3	Smart transmitter, GD-70D for Nitrogen Trifluoride, 0-30 ppm, includes pyrolyzer, with LonWorks	2,500.00
GD-70DPLN-TEOS	Smart transmitter, GD-70D for TEOS, 0-15 ppm, includes pyrolyzer, with LonWorks	2,500.00
GD-70DPLN-TMS	Smart transmitter,GD-70D,TMS(tetramethyl silane),0-15 ppm,Lonworks type	2,500.00
GD-70DS-ASH3	Smart transmitter,GD-70D,AsH3 (arsine),0-0.2 ppm	1,495.00
GD-70DSEA-ASH3	Smart transmitter,GD-70D,AsH3 (arsine),0-0.2 ppm,with ethernet and 4-20 outputs	1,750.00
GD-A80-01	Diffusion detector assembly, model GD-A80, 0 - 100% LEL methane, explosion proof	575.00
GD-A80-02	Diffusion detector assembly, model GD-A80, 0 - 100% LEL hexane, explosion proof	575.00
GD-A80-03	Diffusion detector assembly, model GD-A80, 0 - 100% LEL propane, explosion proof	575.00
GD-A80-04	Diffusion detector assembly, model GD-A80, 0 - 100% LEL hydrogen, explosion proof	575.00
GD-A80-05	Diffusion detector assembly, model GD-A80, 0 - 100% LEL isobutane, explosion proof	575.00
GD-A80-06	Diffusion detector assembly, model GD-A80, 0 - 100% LEL MMA (mono methyl methacrylate), explosion proof	575.00
GD-A80V-01	Diffusion detector assembly, model GD-A80V, 0 - 2000 ppm hydrogen, H2 specific, MOS sensor, explosion proof	575.00
GD-A80V-02	Diffusion detector assembly, model GD-A80V, 0 - 5000 ppm hydrogen, H2 specific, SG-8511, explosion proof	575.00
GD-A80V-03	Diffusion detector assembly, model GD-A80V, 0 - 75 ppm ammonia, MOS sensor, explosion proof.....	575.00
GD-A80V-04	Diffusion detector assembly, model GD-A80V, 0 - 300 ppm MMA (methyl methacrylate), MOS sensor, explosion proof	575.00
GD-D58-AJ1-100	Sample draw detector assembly, model GD-D58, 0 - 100% LEL butane, 110 VAC, with G1 ports, brass 8 mm tube fittings	1,500.00
GD-D58-DU2-100	Sample draw detector assembly, model GD-D58, 0 - 100% LEL methane, 24 VDC, with G1 ports, brass 1/4" tube fittings	1,500.00
GD-D58-DU2-200	Sample draw detector assembly, model GD-D58, 0 - 100% LEL methane, 24 VDC, with G1 x 3/4" port adapters	1,500.00
GD-K88AI-ASH3	Smart transmitter, GD-K88Ai, Arsine (AsH3), 0-0.2 ppm, IS type	1,250.00
GD-K88AI-B2H6	Smart transmitter, GD-K88Ai, Diborane (B2H6), 0-0.3 ppm, IS type.....	1,250.00
GD-K88AI-BCL3	Smart transmitter, GD-K88Ai, Boron Trichloride (BCl3), 0-15 ppm (HCl), IS type.....	1,250.00
GD-K88AI-BF3	Smart transmitter, GD-K88Ai, Boron Trifluoride (BF3), 0-9 ppm (HF), IS type	1,250.00
GD-K88AI-BTBAS	Smart transmitter, GD-K88Ai, BTBAS, 0-15 ppm, IS type	1,250.00
GD-K88AI-CL2	Smart transmitter, GD-K88Ai, Chlorine (Cl2), 0-3.00 ppm, IS type	1,250.00
GD-K88AI-CLF3	Smart transmitter, GD-K88Ai, Chlorine Trifluoride (ClF3), 0-0.6 ppm, IS type	1,250.00
GD-K88AI-CO	Smart transmitter, GD-K88Ai, Carbon Monoxide (CO), 0-150 ppm, IS type	1,250.00
GD-K88AI-F2	Smart transmitter, GD-K88Ai, Fluorine (F2), 0-3 ppm, IS type	1,250.00
GD-K88AI-H2S-01	Smart transmitter, GD-K88Ai, Hydrogen Sulfide (H2S), 0-1 ppm, IS type	1,250.00
GD-K88AI-H2S-30	Smart transmitter, GD-K88Ai, Hydrogen Sulfide (H2S), 0-30 ppm, IS type	1,250.00
GD-K88AI-HBR	Smart transmitter, GD-K88Ai, Hydrogen Bromide (HBr), 0-9 ppm, IS type	1,250.00
GD-K88AI-HCL15E	Smart transmitter, GD-K88Ai, Hydrogen Chloride (HCl), 0-15 ppm, with ES-23E sensor, IS type	1,250.00
GD-K88AI-HF	Smart transmitter, GD-K88Ai, Hydrogen Fluoride (HF), 0-9 ppm, IS type	1,250.00
GD-K88AI-NH3	Smart transmitter, GD-K88Ai, Ammonia (NH3), 0-75 ppm, IS type	1,250.00
GD-K88AI-NO	Smart transmitter,GD-K88AI,NO (nitric oxide),0-100 ppm,IS type	1,250.00
GD-K88AI-NO2	Smart transmitter,GD-K88AI,NO2 (nitrogen dioxide),0-15.0 ppm,IS type	1,250.00
GD-K88AI-O3-10	Smart transmitter, GD-K88Ai, Ozone (O3), 0-1 ppm, IS type	1,250.00
GD-K88AI-PH3	Smart transmitter, GD-K88Ai, Phosphine (PH3), 0-1 ppm, IS type	1,250.00
GD-K88AI-Si2H6	Smart transmitter, GD-K88Ai, Disilane (Si2H6), 0-15 ppm, IS type	1,250.00
GD-K88AI-SIH4-AH	Smart transmitter, GD-K88Ai, Silane (SiH4), 0-15 ppm, AH sensor, low H2 response, IS type.....	1,250.00
GD-K88AI-SIH4-DH	Smart transmitter, GD-K88Ai, Silane (SiH4), 0-15 ppm, DH sensor, with H2 response, IS type	1,250.00
GD-K88AI-WF6	Smart transmitter, GD-K88Ai, Tungsten Hexafluoride (WF6), 0-9 ppm (HF), IS type	1,250.00
GD-K88DI-O3-06	Smart transmitter, GD-K88Ai, Ozone (O3), 0-0.6 ppm, IS type, sample draw	2,295.00
GD-K88DI-O3-06	Smart transmitter, GD-K88Ai, Ozone (O3), 0-0.6 ppm, IS type, sample draw	2,295.00
GD-K88DI-O3-10	Smart transmitter, GD-K88Ai, Ozone (O3), 0-0.6 ppm, IS type, sample draw	2,295.00
GD-K88DI-O3-10	Smart transmitter, GD-K88Ai, Ozone (O3), 0-0.6 ppm, IS type, sample draw	2,295.00
GE-4641-S2	LEL Sensor for GP-226, isobutane (HC)	175.00
GE-5740-B5	LEL sensor for GP-226, methane (CH4)	225.00

Numerical Index

Part#	Description	Suggested Retail
GH-5001	Module, indicator/alarm, GH-5001, combustible or toxic gasses (ppm range), RM-5000 Series (specify gas & range)	660.00
GH-5001-VCM-2K	Module, indicator/alarm, GH-5001, 0-2000 ppm VCM	660.00
GH-5001-VCM-500	Module, indicator/alarm, GH-5001, 0-500 ppm VCM	660.00
GH-5001H	Module, indicator/alarm, GH-5001H, 0-2000 ppm H ₂ , (for SG-8541, SG-8546, 61-0160RK sensors)	660.00
GH-5001H-01	Module, indicator/alarm, GH-5001H, 0-2000 ppm H ₂ , NE relays/test relay on	660.00
GH-5001H-01-CC	Module, indicator/alarm, GH-5001H with 5000-CC module adptr, 0-2000 ppm H ₂ , NE relays/test relay on	735.00
GH-5001H-02	Module, indicator/alarm, GH-5001H, 0-2000 ppm H ₂ , NE relays/self resetting alms/test relay on	660.00
GH-5001H-02-CC	Module, indicator/alm, GH-5001H with 5000-CC, 0-2000 ppm H ₂ , NE relays/self rstg alms/test relay on	735.00
GH-5001H-02-CCS	Module, 0-2000 ppm H ₂ , GH-5001H with 5000-CC and 570-SR, NE relays/self rstg alms/test relay on	935.00
GP-5001	Module, indicator/alarm, GP-5001, combustible gas, 0-100% LEL, RM-5000 Series (MUST SPECIFY GAS) ...	660.00
GP-5001-C4H10	Module, indicator/alarm, GP-5001, combustible gas, 0-100 %LEL isobutane, RM-5000 Series	660.00
GP-5001-CH4	Module, indicator/alarm, GP-5001, combustible gas, 0-100% LEL CH ₄ , RM-5000 Series	660.00
GP-6001A-01	GP-6001 combustible gas monitor, 0-100 %LEL isobutane, 100-240 VAC input	1,295.00
GP-6001A-02	GP-6001 combustible gas monitor, 0-100 %LEL CH ₄ , for HW-6213 sensor, 100-240 VAC input	1,295.00
HW-6206	Sensor, HW-6206, high temperature, w/lead wires	1,260.00
HW-6207	Sensor, 0-100 %LEL, HW-6207, high temperature	1,260.00
HW-6211	Sensor HW-6211, for GD-A80, GD-A8/D8, Isobutane, H ₂	220.00
HW-6212	Sensor HW-6212 for GD-A80, GD-A8, furnace insert type, LEL	220.00
HW-6213	Sensor, HW-6213 for GD-A80, GD-A8, Methane	220.00
HW-6214	Sensor, HW-6214, %LEL, for GD-A80, GD-A8, C ₂ H ₄	220.00
HW-6214B	Sensor, HW-6214, for GD-A80, GD-A8, VCM	220.00
HW-6216	LEL Sensor elements, isobutane, for GD-D5C	230.00
HW-6217	LEL Sensor w/wires, for GD-B2	230.00
HW-6219	Sensor HW-6219, for GD-A43, isobutane, H ₂	260.00
HW-6220	LEL Sensor, GP-109, GE-6670-P1	275.00
HW-6246	Filament set only, Isobutane, for GP-204 shipboard use only	95.00
HW-6255	Sensor, LEL for NP-85	230.00
HW-6257	LEL sensor for GP-85N / GX-85N / GP-88 replacement (not for GP-88S)	175.00
HW-6258	Sensor for GP-88S (toluene)	175.00
NC-5001-C2H4	Module indicator/alarm, 0 - 100 %LEL Ethylene (C ₂ H ₄), for NC-6241A, RM-5000 Series	660.00
NC-5001-CH4	Module indicator/alarm, 0 - 100 %LEL CH ₄ , for NC-6241, RM-5000 Series	660.00
NC-5001-THF	Module indicator/alarm, 0 - 100 %LEL THF, for NC-6241, RM-5000 Series	660.00
NC-6205-01	Sensor, LEL Hydrogen (H ₂) specific, 1/2 NPT, with guard, with silicone resistance, UL version, (no transmitter, no j-box)	400.00
NC-6205-02	Sensor, H ₂ specific, 1/2" NPT, silicone resistant, w/o guard	400.00
NC-6205-05	Sensor, LEL Hydrogen (H ₂) specific, explosion proof direct connection, with silicone resistance, cCSAus version, (no transmitter, no j-box)	450.00
NC-6211	Sensor, NC-6211, LEL/ppm, catalytic, plug-in style	300.00
NC-6215	Sensor, LEL, NC-6215, GX-8000 and GP-1000	360.00
NC-6240A	Sensor, LEL or PPM combustible, for sample draw 35-3000	220.00
NC-6245	LEL combustible sensor only, for sample draw 35-3001, 35-3000. and Model 1017	220.00
NC-6260B	Sensor, LEL / ppm, plug-in, EAGLE 2	200.00
NC-6264A	Sensor, LEL, for GX-2009/GX-2012/GX-6000/GP-03/Gas Tracer	120.00
NC-6264AZX	Sensor, LEL, silicone resistant, for GX-2009/GX-2012/GX-6000/GX-2001/GX-2003/Gas Tracer/GP-01	130.00
NC-6264B	Sensor, CH ₄ , for GX-2009 MSHA / GX-2012 CSA	140.00
NC-6307	Sensor for NC-100, catalytic	360.00
NCU-6211-C4H10	Sensor, Isobutane (iC ₄ H ₁₀) 0-100% LEL, sensor unit	395.00
NCU-6211-H2	Sensor, Hydrogen (H ₂) 0-100% LEL, sensor unit	395.00
NCU-6211-H2-20K	Sensor, Hydrogen (H ₂) 0-2% volume, sensor unit	395.00
NCU-6211-IC4H10	Sensor, LEL sensor/amp unit, 0 - 100 %LEL i-C ₄ H ₁₀ (isobutane), GD-70D	395.00
NCU-6213-CH4	Sensor, Methane (CH ₄) 0-100% LEL, sensor unit	395.00
NCU-6213-CH420K	Sensor, LEL sensor/amp unit, 0 -2% vol CH ₄ (methane), GD-70D	395.00
NP-5001	Module, indicator/alarm, NP-5001, combustible gas, % volume, RM-5000 Series	660.00
NP-5001-01	Module indicator/alarm, NP-5001, 0-5% H ₂ , for TE-7560 sensor	660.00
OS-8066	Oxygen sensor, OS-8066	700.00
OS-8071	Sensor, Oxygen, OS-8071, fixed system special Type	320.00
OS-8078	Sensor, Oxygen, OS-8078, fixed system special Type	260.00
OS-8095	Sensor, oxygen, for GD-F24, for low humidity applications	260.00
OS-B01	Sensor, Oxygen (O ₂), 0-40% vol, plug-in diffusion type, for OX-07	195.00
OS-B11	Sensor, Oxygen with cable and pigtail	195.00

Numerical Index

Part#	Description	Suggested Retail
OS-B11H	Sensor,Oxy w/cable and pigtail,OS-B11H,hi humidity	195.00
OS-B11TF	Sensor,oxy w/cable and pigtail,solvent resistant,OS-B11TF	210.00
OS-B11TFX	Sensor,Oxygen w/cable and pigtail,solvent resistant,OS-B11TFX	400.00
OS-BM1D	Sensor, Oxygen (O2), OS-BM1D for OX-600	150.00
OS-BM2	Sensor, Oxygen (O2) for GX-2009/GX-2012/GX-6000/GasWatch 2/OX-03/Gas Tracer.....	120.00
OSU-8078	Sensor, Oxygen (O2), 0-25%, sensor/amp unit	395.00
OX-5001	Module, indicator/alarm, oxygen, 0-25%, direct connect, RM-5000 Series	660.00
OX-5002	Module, indicator/alarm, OX-5002, Oxygen (4-20mA), RM-5000 Series	660.00
PID-001	Sensor, PID, VOC 0-50 ppm for GX-6000	1,600.00
PID-002	Sensor, PID, VOC 0-6,000 ppm for GX-6000	1,200.00
PLU-70	Pyrolyzer unit only for GD-70D	750.00
PSU-590	Power supply unit,100-220 VAC input,RM-590 series	575.00
RI-215A	Model RI-215A IR diffusion detector head for CO2, 0 - 2,000 ppm, (0-10,000 ppm optional).....	850.00
RI-215A-03	Model RI-215A IR diffusion detector head for CO2, 0 - 5%	850.00
RI-215D	Model RI215D IR sample draw detector head for CO2, 0 - 2,000 ppm, (0-10,000 ppm optional)	1,995.00
RI-215D-03-220	CO2 IR detector head,sample draw,0 - 5% CO2, 220 VAC in	1,995.00
RI-257	RI-257,Freon monitor, Fixed,(Specify gas)	4,500.00
RM-5002	Module indicator/alarm, 2-wire 4-20 mA, RM-5000 Series (specify gas & range)	660.00
RM-5002-CO2-02	Module indicator/alarm, 0-9950 ppm, 2-wire 4-20 mA, RM-5000 Series	660.00
RM-5003	Module indicator/alarm, 3-wire 4-20 mA, RM-5000 Series (specify gas & range)	660.00
RM-5003-CL2	Module indicator/alarm, 0-3.00 ppm Cl2, 3-wire 4-20 mA, RM-5000 Series	660.00
SD-1DGH-H500	SD-1GH detector head, 0-500 ppm Hexane, 4-20 mA transmitter with sample adapter	1,600.00
SD-1DRI-AS-IPA	SD-1DRI-AS detector head, 0 - 100% LEL IPA, 4-20 mA transmitter, air aspirator type	4,150.00
SD-1DRI-IC4H10	SD-1DRI detector head, 0 - 100% LEL isobutane, 4-20 mA transmitter with sample adapter	2,800.00
SD-1GH-ACN	SD-1GH detector head, 0-100 ppm ACN (acrylonitrile), 4-20 mA transmitter	1,350.00
SD-1GH-EO-1K	SD-1GH detector head, 0-1000 ppm ethylene oxide, 4-20 mA transmitter.....	1,350.00
SD-1GP-ACN	SD-1GP detector head, 0 - 100% LEL ACN (acrylonitrile), 4-20 mA transmitter	1,295.00
SD-1GP-CH4	SD-1GP detector head, 0 - 100% LEL CH4, 4-20 mA transmitter	1,300.00
SD-2500-NMP	SD-2500-NMP transmitter, 0 - 100 %LEL NMP (n-methyl pyrrolodone)	8,500.00
SG-8511	Sensor, SG-8511, MOS (specify gas and range)	300.00
SG-8511-C3H6-2K	Sensor,SG-8511,0 - 2000 ppm propylene	300.00
SG-8512	Sensor, SG-8512, MOS (specify gas and range)	300.00
SG-8513	Sensor, SG-8513, MOS (specify gas and range) (CL compounds).....	270.00
SG-8514	Sensor, SG-8514, MOS (specify gas and range)	300.00
SG-8521	Sensor, SG-8521, MOS sensor only, ppm (specify gas & range)	300.00
SG-8521-R32-9K	Sensor,SG-8521,GD-D8V/A8V,0 - 9000 ppm R32 (difluoromethane,CH2F2)	300.00
SG-8522-H2S	Sensor, SG-8522, MOS, H2S, 30 ppm, GD-A8V	300.00
SG-8523	Sensor, SG-8523, MOS, TCE 300, GD-A8V	300.00
SG-8565	Sensor,MOS,0-500 ppm ethyl alcohol (C2H5OH)	300.00
SG-8581	Sensor SG-8581,MOS,methane (CH4),0-2000 ppm	350.00
SG-8582	Sensor, SG-8582, MOS, Propane 0-500 ppm, GD-A8V	350.00
SGU-8511-C3H6-2	Sensor,MOS sensor/amp unit,0 - 2000 PPM propylene(C3H6),GD-70D	495.00
SGU-8511-C3H6-5	Sensor,MOS sensor/amp unit,0 - 5000 PPM propylene(C3H6),GD-70D	495.00
SGU-8511-C3H8-2	Sensor,MOS sensor/amp unit,0 - 2000 PPM propane(C3H8),GD-70D	495.00
SGU-8511-C3H8-5	Sensor,MOS sensor/amp unit,0 - 5000PPM propane(C3H8),GD-70D	495.00
SGU-8511-C3H82K	Sensor,MOS sensor/amp unit,0 - 2000 PPM propane(C3H8),GD-70D	495.00
SGU-8511-C3H85K	Sensor,MOS sensor/amp unit,0 - 5000PPM propane(C3H8),GD-70D	495.00
SGU-8511-CH4-20	Sensor, Methane (CH4), 0-2.0% vol, MOS sensor/amp unit for GD-70D	495.00
SGU-8511-CH4-5K	Sensor,MOS sensor/amp unit,0 - 5000PPM methane(CH4),GD-70D	495.00
SGU-8511-CH420K	Sensor,MOS sensor/amp unit,0 - 2% vol methane(CH4),GD-70D	495.00
SGU-8511-H2-20K	Sensor, Hydrogen (H2), 0-2.0% vol, MOS sensor/amp unit for GD-70D	495.00
SGU-8513-DCE-6	Sensor,MOS sensor/amp unit,0 - 600 ppm dichloroethene (C2H2Cl2),GD-70D	495.00
SGU-8521-ACE-1K	Sensor, Acetone (C3H6O), 0-1000 ppm, MOS sensor/amp unit for GD-70D	495.00
SGU-8521-C2H2-2	Sensor,MOS sensor/amp unit,0 - 2,000 ppm acetylene (CH2H2),GD-70D	495.00
SGU-8521-C2H4-2	Sensor,MOS sensor/amp unit,0 - 2,000 ppm ethylene (CH2H4),GD-70D.....	495.00
SGU-8521-C4F6A	Sensor,MOS sensor/amp unit,0 - 200 PPM hexafluorobutadiene(C4F6),GD-70D	495.00
SGU-8521-CH3CN	Sensor,MOS sensor/amp unit,0 - 2,000 ppm acetonitrile (CH3CN),GD-70D	495.00
SGU-8521-H2-1K	Sensor, Hydrogen (H2), 0-1000 ppm, MOS sensor/amp unit for GD-70D	495.00
SGU-8521-H2-500	Sensor,MOS sensor/amp unit,0 - 500 ppm H2 (hydrogen),GD-70D	495.00
SGU-8521-IPA-2K	Sensor, Isopropylalcohol (CH3CHOHCH3), 0-2000 ppm, MOS sensor/amp unit for GD-70D	495.00
SGU-8521-MET-1K	Sensor, Methanol (CH3OH), 0-1000 ppm, MOS sensor/amp unit for GD-70D	495.00

Notes

SGU-8521-MET-2K	Sensor, Methanol (CH ₃ OH), 0-2000 ppm, MOS sensor/amp unit for GD-70D	495.00
SGU-8521-R32-2K	Sensor, Difluoromethane (CH ₂ F ₂), 0-2000 ppm, MOS sensor/amp unit for GD-70D	495.00
SGU-8521-R32-9K	Sensor, Difluoromethane (CH ₂ F ₂), 0-9000 ppm, MOS sensor/amp unit for GD-70D	495.00
SGU-8521-R41-2K	Sensor, Fluoromethane (CH ₃ OH), 0-2000 ppm, MOS sensor/amp unit for GD-70D	495.00
SGU-8523-DCM-2K	Sensor, Dichloromethane (DCM), 0-2000 ppm, MOS sensor/amp unit for GD-70D	495.00
SGU-8541-H2-1K	Sensor,MOS sensor/amp unit,0 - 1000 ppm H ₂ (hydrogen),specific,GD-70D	495.00
SGU-8541-H2-2K	Sensor, Hydrogen (H ₂), 0-2000 ppm, MOS sensor/amp unit for GD-70D	495.00
SGU-8541-H2-4K	Sensor, Hydrogen (H ₂), 0-4000 ppm, MOS sensor/amp unit for GD-70D	495.00
SGU-8541-H2-500	Sensor,MOS sensor/amp unit,0 - 500 ppm H ₂ (hydrogen),specific,GD-70D	495.00
SGU-8562-COS-2K	Sensor,MOS sensor/amp unit,0 - 2000 PPM carbonyl sulfide(COS),GD-70D	495.00
SGU-8581-CH4-2K	Sensor, Methane (CH ₄), 0-2000 ppm, MOS sensor/amp unit for GD-70D	495.00
SH-8641	Sensor, ppm Methane (CH ₄) for Gas Tracer	160.00
SH-8661	Sensor for SP-220 type methane & LPG versions	350.00
SH-8662	Sensor for SP-220 type FUM & SC versions	425.00
SP-5001	Module, indicator/alarm, SP-5001, combustible or toxic gases (ppm range), RM-5000 Series	660.00
SSU-1925	Sensor, ionization, GD-70D (Need to specify gas type & range)	495.00
TAN-5000	Buzzer Unit, self resetting, RM-5000 Series	400.00
TAN-5000L	Buzzer Unit, latching, RM-5000 Series	400.00
TE-7515	Sensor, TC % volume combustibles, thermal conductivity, TE-7515, GX-8000	360.00
TE-7550-01	Sensor, thermal conductivity, volume H ₂ , 1/2 NPT with guard, UL version.....	400.00
TE-7550-02	Sensor,thermal conductivity,volume H ₂ ,1/2 NPT w/out guard	400.00
TE-7557	Sensor, TC % volume for NP-85, TE-7557	275.00
TE-7560	Sensor, thermal conductivity, TE-7560, plug-in style, fixed systems	300.00
TE-7561	Sensor, TC, % volume, GX-2003/GX-2012/Gas Tracer	160.00
TE-7567	Sensor,TE-7567,thermal conductivity,1/2" NPT,0-100% vol CH ₄ ,as purchased	400.00
TE-7567-01	Sensor,TE-7567,thermal conductivity,1/2" NPT,0-100% vol CH ₄	400.00
TE-7567-02	Sensor,TE-7567,thermal conductivity,1/2" NPT,0-100% vol CH ₄ ,w/out guard	400.00
TE-7568	Sensor, TE-7568, TC, Methane (CH ₄), 0 - 100% volume/ Hydrogen (H ₂), 0 - 10%/100% volume, EAGLE 2...	300.00

TLV Values (ppm)			
Gas		TWA	STEL
Ammonia	NH3	25.0	35.0
Arsine	AsH3	0.005	N/A
Carbon Dioxide	CO2	5000	30,000
Carbon Monoxide	CO	25.0	N/A
Chlorine	Cl2	0.5	1.0
Fluorine	F2	1.0	2.0
Hydrogen Chloride	HCl	N/A	C 2.0
Hydrogen Cyanide	HCN	N/A	C 4.7
Hydrogen Fluoride	HF	0.5	C 2.0
Hydrogen Sulfide	H2S	1.0	5.0
Nitrogen Dioxide	NO2	0.2	N/A
Ozone	O3	0.1	N/A
Phosphine	PH3	0.3	1.0
Silane	SiH4	5.0	N/A
Sulfur Dioxide	SO2	N/A	0.25

RKI Cylinder Sizes	
Cylinder Size	RKI Part # Suffix
17 liter steel	no suffix
34 liter steel	-01
34 liter aluminum	-04
58 liter aluminum	-02
103 liter steel	-03
58 liter steel	-05
116 liter aluminum	-116

LEL/UEL % Volume Levels				
Gas		Vapor Density (Air=1)	LEL	UEL
Acetone	(CH3)2CO	2.0	2.5	12.8
Acetylene	C2H2	0.9	2.5	100.0
Benzene	C6H6	2.8	1.2	7.8
Butane	C4H10	2.0	1.9	8.5
Ethane	C2H6	1.0	3.0	12.5
Ethanol	C2H5OH	1.6	3.3	19.0
Ethylene	C2H4	1.0	2.7	36.0
Hexane	C6H14	3.0	1.1	7.5
Hydrogen	H2	0.1	4.0	75.0
Isobutane	(CH3)3CH	2.0	1.8	8.4
Isopropyl Alcohol	(CH3)2CHOH	2.1	2.0	12.7
Methane	CH4	0.6	5.0	15.0
Pentane	C5H12	2.5	1.5	7.8
Propane	C3H8	1.6	2.1	9.5
Propylene	C3H6	1.5	2.0	11.1
Toluene	C7H8	3.1	1.1	7.1
Xylene	C8H10	3.7	1.1	7.0

Sensor / Cylinder 2 Digit Date Code

RKI sensors and gas cylinders are labeled with a 2 digit date code that represents the product's manufactured date.

1st Digit = The last digit of manufactured calendar year (ex. year 2012 = 2)

2nd Digit = Month (X, Y, Z = month 10, 11, or 12 respectively)

Example: 6X = Manufacture date of Oct. 2016

Terminology

TLV - Threshold Limit Values. There are 3 categories of TLV's; TWA, STEL, & Ceiling.

TWA - Time Weighted Average. The time-weighted average concentration for a conventional 8 hour workday and a 40 hour work week, to which it is believed nearly all workers may be repeatedly exposed without adverse affect.

STEL - Short Term Exposure Limit. The concentration which is believed that workers can be exposed continuously for a short period of time without suffering provided that the TWA is not exceeded. STEL is defined as a 15 minute TWA exposure.

Ceiling - The concentration that should not be exceeded during any part of the working exposure.

Parts Per Million (ppm) equivalence to % Volume

1 ppm	=	0.0001 %
10 ppm	=	0.001 %
100 ppm	=	0.01 %
1000 ppm	=	0.1 %
10,000 ppm	=	1.0 %
100,000 ppm	=	10.0 %
1,000,000 ppm	=	100.0 %

Cal Gas Shelf Life

Cylinder Size	Description	Shelf Life
17 / 34 / 103 L (steel)	All mixtures	3 years
34 AL / 58 AL	H2S / N2	2 years
34 AL / 58 AL / 116 AL	LEL / O2 / H2S / CO	2 years
34 AL / 58 AL	SO2 / N2	2 years
34 AL / 58 AL	NH3 / N2	18 months
34 AL / 58 AL	Cl2 / N2	9 months
34 AL / 58 AL	HCl / N2	1 year
34 AL / 58 AL	HCN / N2	18 months
34 AL / 58 AL	NO / N2	18 months
34 AL / 58 AL	NO2 / N2	7 months
34 AL / 58 AL	PH3 / N2	18 months
34 AL / 58 AL	SiH4 / N2	1 year

Sources: TLV values extracted from the 2016 TLV's and BEI's copyright 2016 by the American Conference of Governmental Industrial Hygienists as well as the Pocket Guide To Chemical Hazards copyright 1994 by the National Institute for Occupational Safety and Health. LEL and UEL values were extracted from the Fire Protection Guide To Hazardous Materials, 14th edition by the National Fire Protection Association.

Gas Detection For Life

RKI Instruments, Inc. 33248 Central Ave. Union City, CA 94587 • (800) 754-5165 • (510) 441-5656

www.rkiinstruments.com